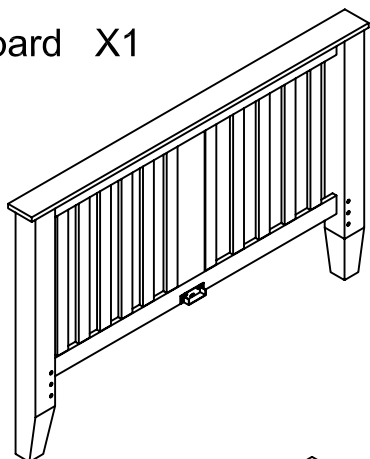


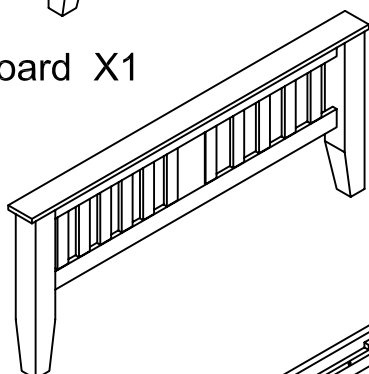


## Parts list

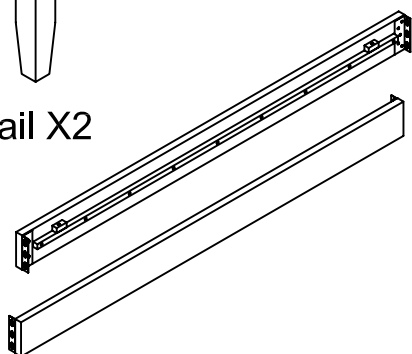
① Headboard X1



② Footboard X1



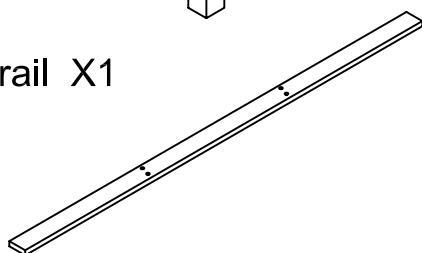
③ Side rail X2



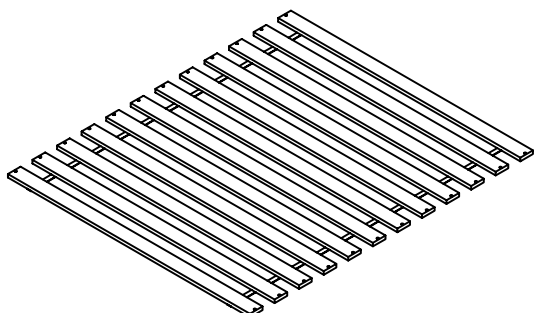
④ Centre support leg X2



⑤ Centre rail X1

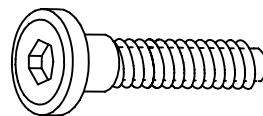


⑥ Wooden slat X1set

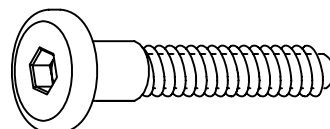


## Fittings list

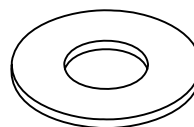
A. Hexagon bolt M6\*45 X4



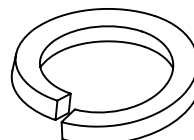
B. Hexagon bolt M6\*25 X12



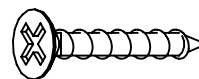
C. Flat washer D6 X12



D. Spring washer D6 X12

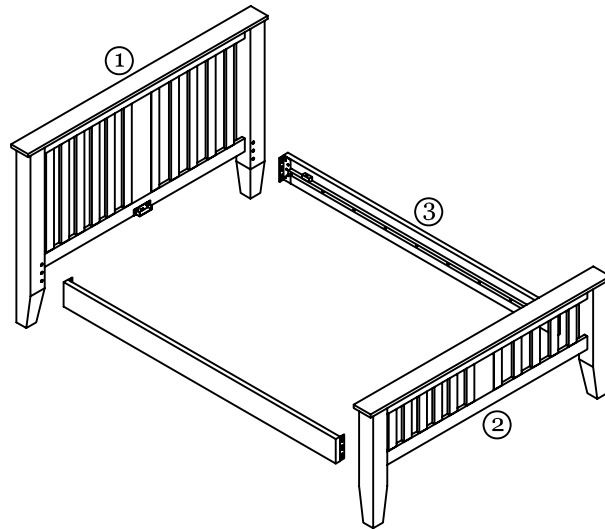


E. Screw X24

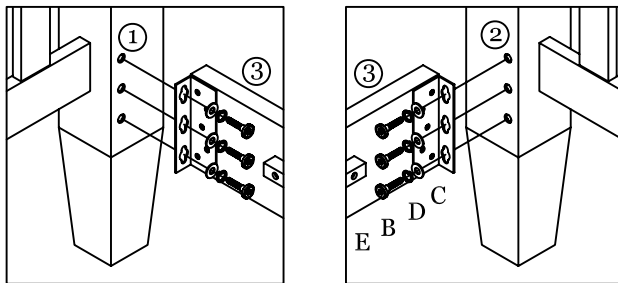


F. Allen key X1



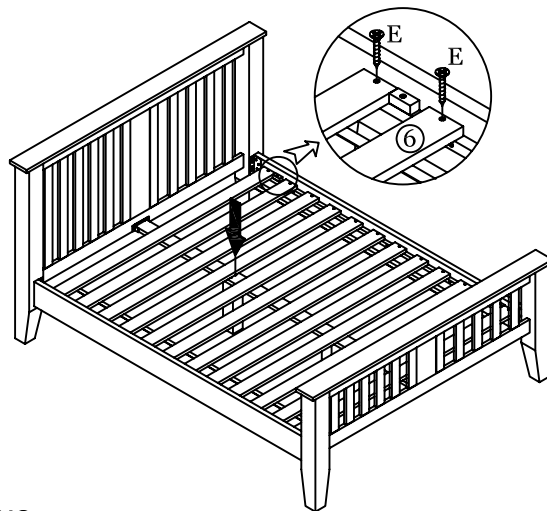


### Step One



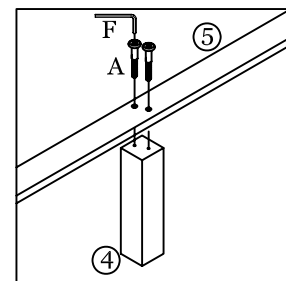
Attach side rails(3) onto headboard (1) using screws (B), washers (D) and (C) as shown.

Repeat the procedure for footboard (2).  
Tighten all screws using allen key (F).



### Step Two

Fit the centre support legs (4) to the centre rail (5) using the bolts (A) to secure.  
Position the centre rail (4) to the head & footboard, locating it into pre-fitted support bracket at each end.



### Step Three

Lay the set of wooden slats (6) onto the side rails (3). Secure the end slat and making sure the slat is flush with the end of fixed stopper.  
Pull the last slat to the other end of the bed and secure, making sure its flush with the fixed stopper.