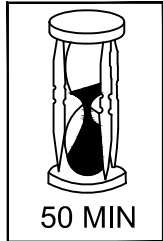


Minimum Two
Persons Assembly



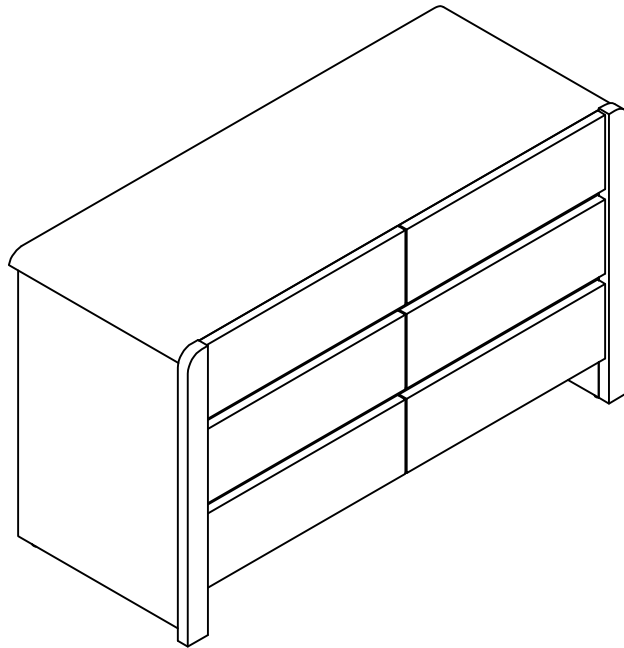
6 DRAWER HIP HOP CHEST WHITE STK268009



50 MIN

Approximate
Assembly Time

Assembly instructions
Please keep these instructions for future reference



Regrettably self-assembly items cannot be returned once assembly is part or fully completed unless the items are found to be faulty. Should you need to return the unassembled product, please repack in its original packaging.

Important information

- We suggest you spend a short time reading through this leaflet and then follow the simple step-by-step instructions.
- Carefully check that you have all the parts before beginning assembly.
- Keep fittings out of children's reach and keep children well away from construction area.
- We suggest you retain these instructions for future reference.
- In the unusual event of an issue with your product would you please quote the batch I.D. number situated on the main parts of the frame.

Product information

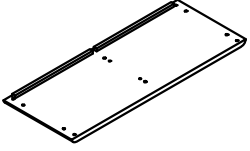
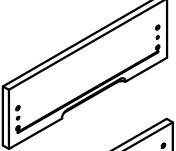
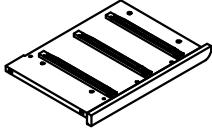
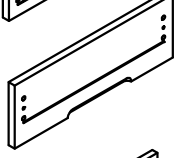
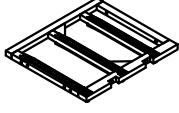
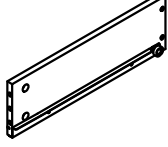
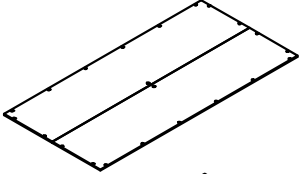
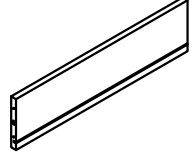
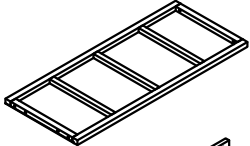
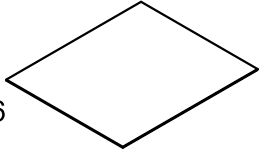
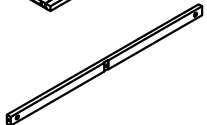
- Product finished Painted White finish.
- 6-drawer dresser.

Care instructions



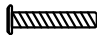


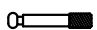
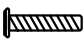
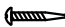

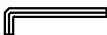
- Avoid exposing the furniture to excessive heat or direct sunlight as this can cause cracking and deterioration of the color.
- Periodically check & re-tighten any fastener.
- Periodically dust lightly with a clean soft cloth.
- Do not use silicone based furniture polish.
- Any spills should be removed immediately with a damp cloth.
- TAKE CARE WHEN MOVING THE FURNITURE AND NEVER DRAG THE PIECES ACROSS THE FLOOR, AS THIS WILL CAUSE DAMAGE TO THE JOINTS

6-drawer Dresser

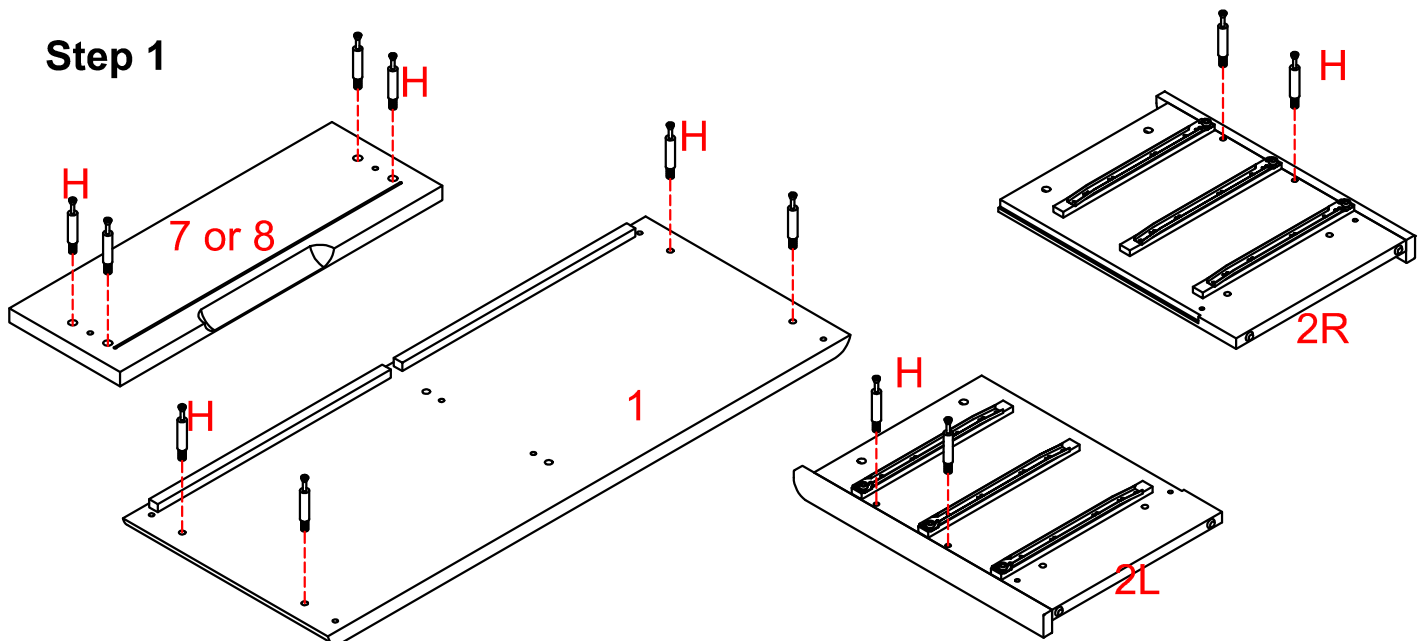
Component of Carton

(1) Top panel x1		(7) Drawer front panel x2	
(2) Side panel (R&L)x2		(8) Drawer front panel x4	
(3) Support frame x1		(9) Drawer Side panel x12	
(4) Back panel x1		(10) Drawer back panel x6	
(5) Bottom panel x1		(11) Drawer bottom panel x6	
(6) Support Rail x2			

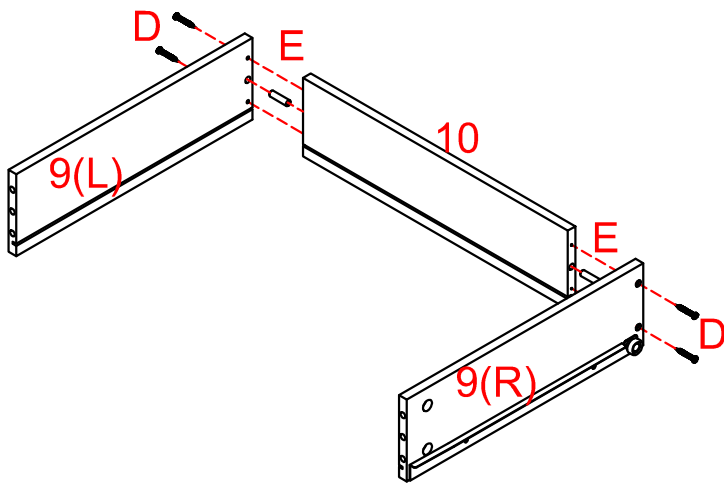
Hardware List

(A) Ø4x16 Screw x22 	(B) Ø8 Dowel x12 	(C) M6x45 Bolt x8 	(D) Ø4x30 Screw x24 
(E) Ø6 Dowel x24 	(F) Ø6 Washer x12 	(G) Locking Nut x32 	(H) Locking Pin x32 
(I) M6x35 Bolt x2 	(J) Ø3.5x16 Screw x2 	(K) Nylon braid x2 	(L) 4MM Wrench x1 

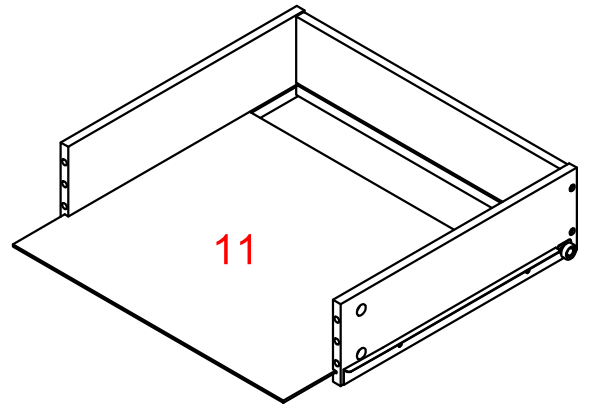
Step 1



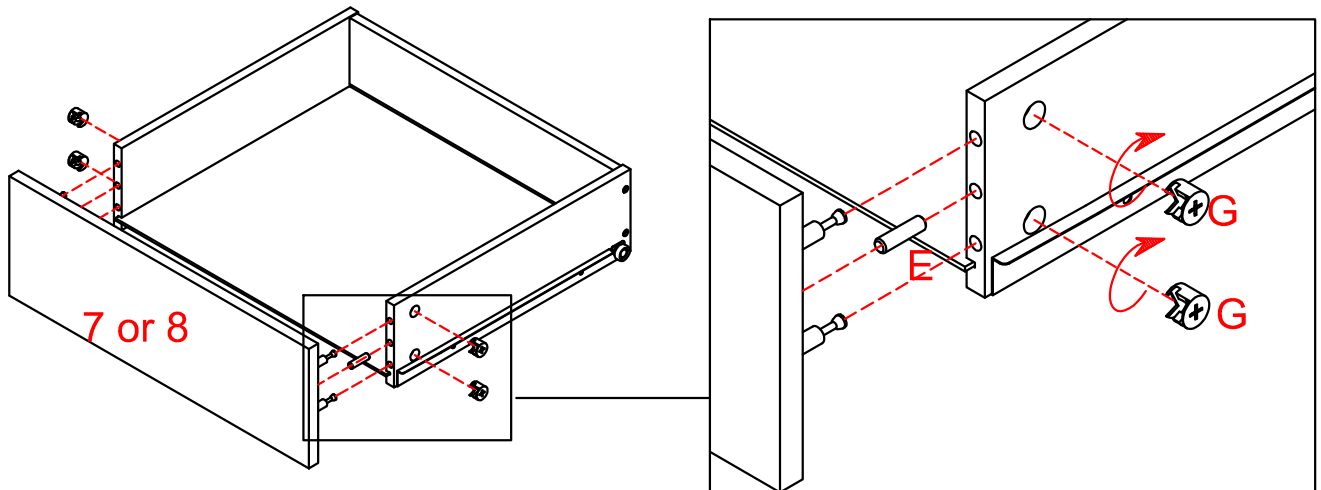
Step 2



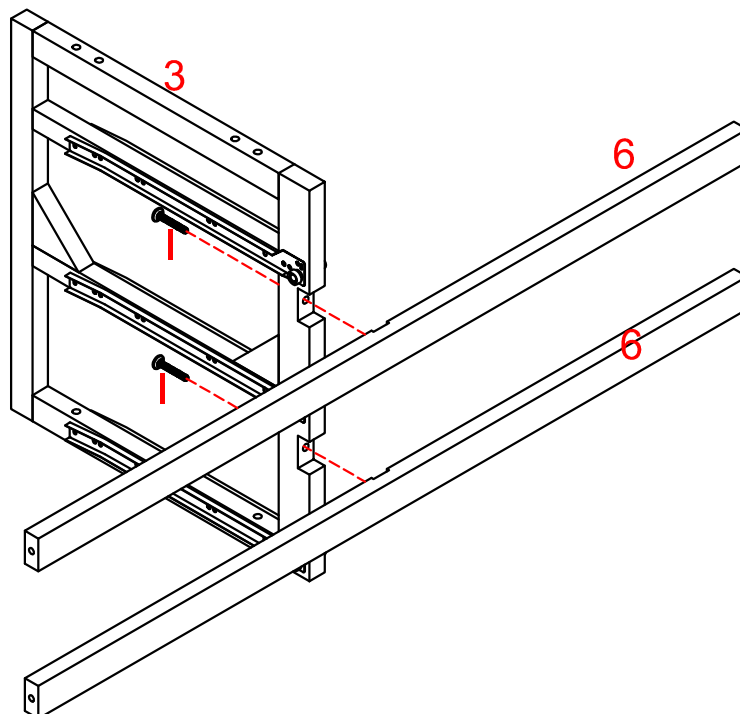
Step 3



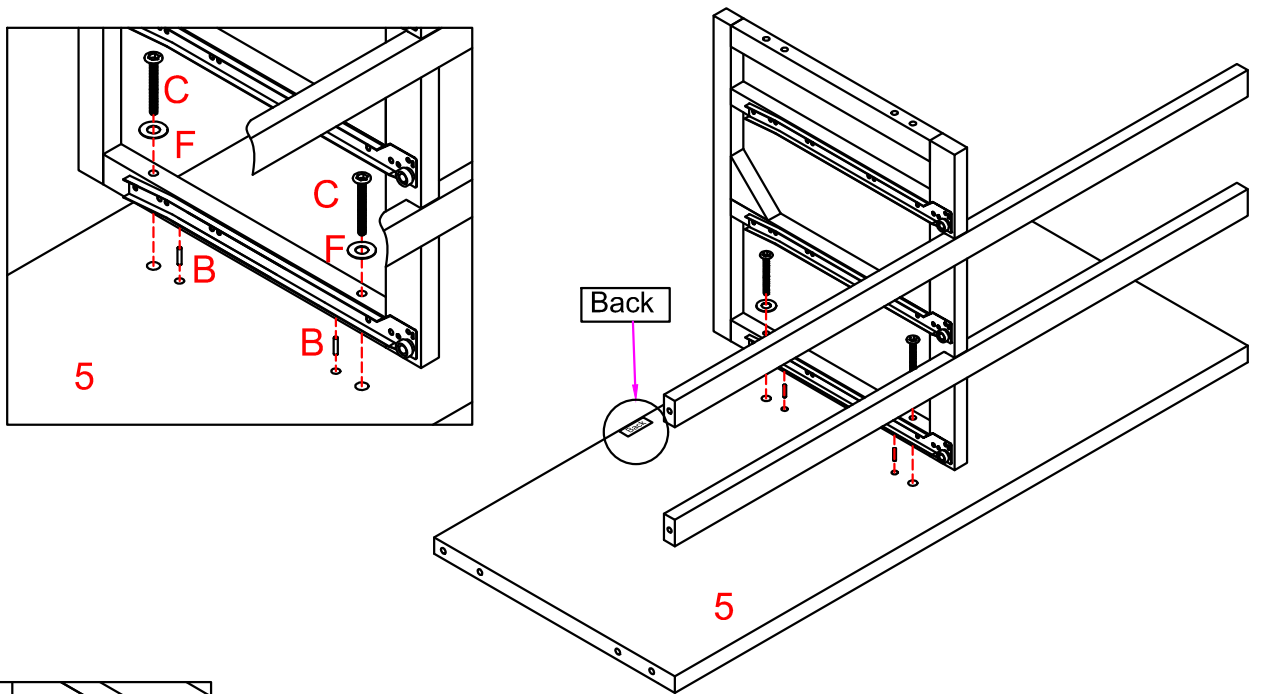
Step 4



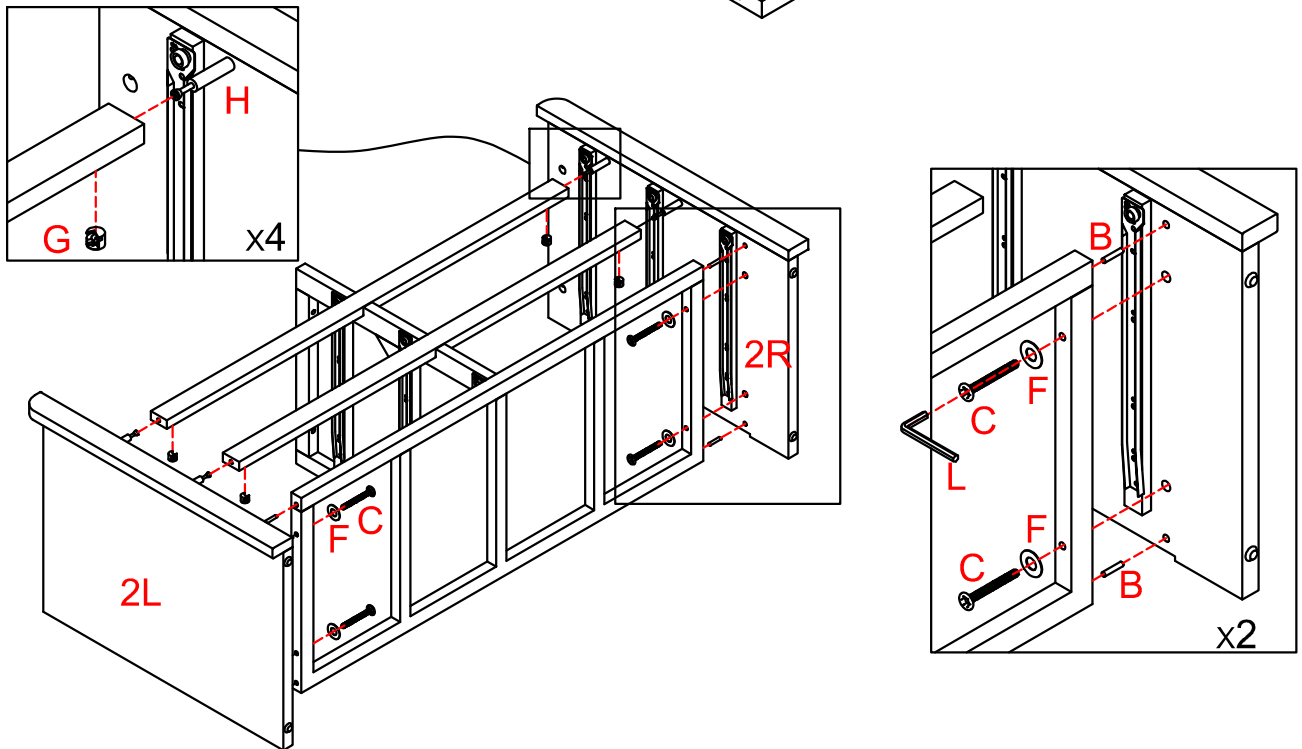
Step 5



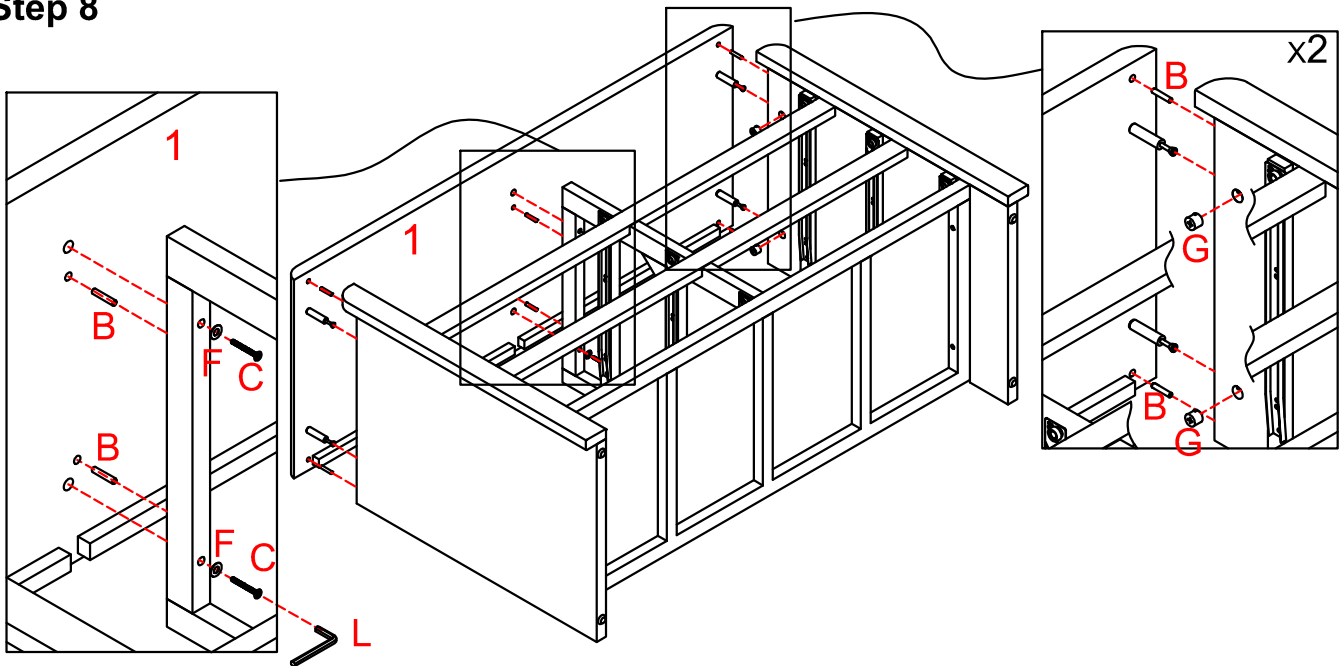
Step 6



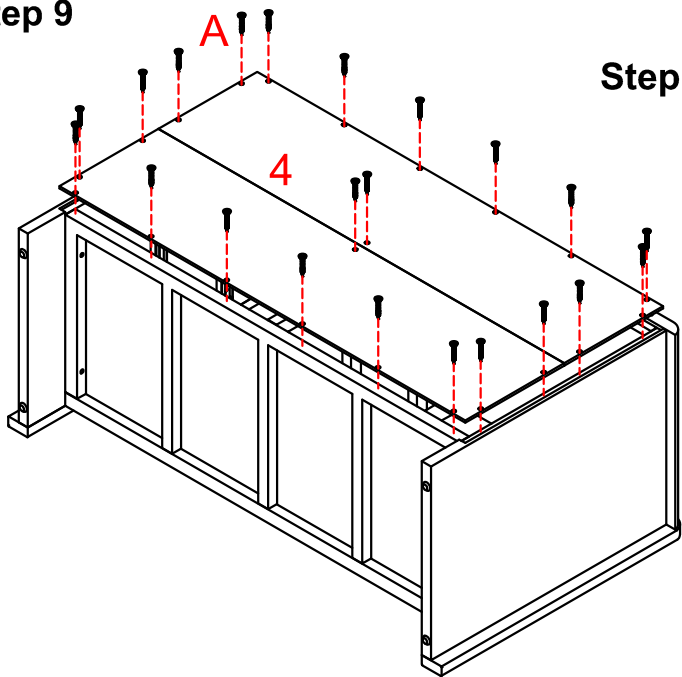
Step 7



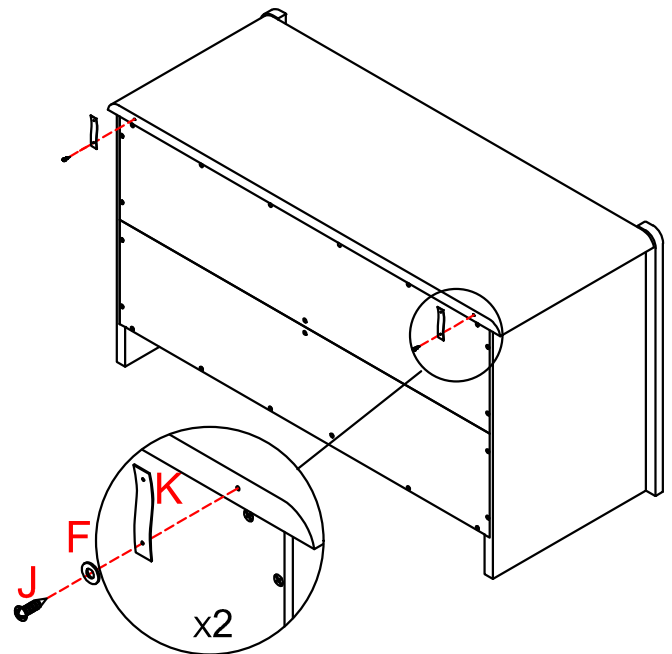
Step 8



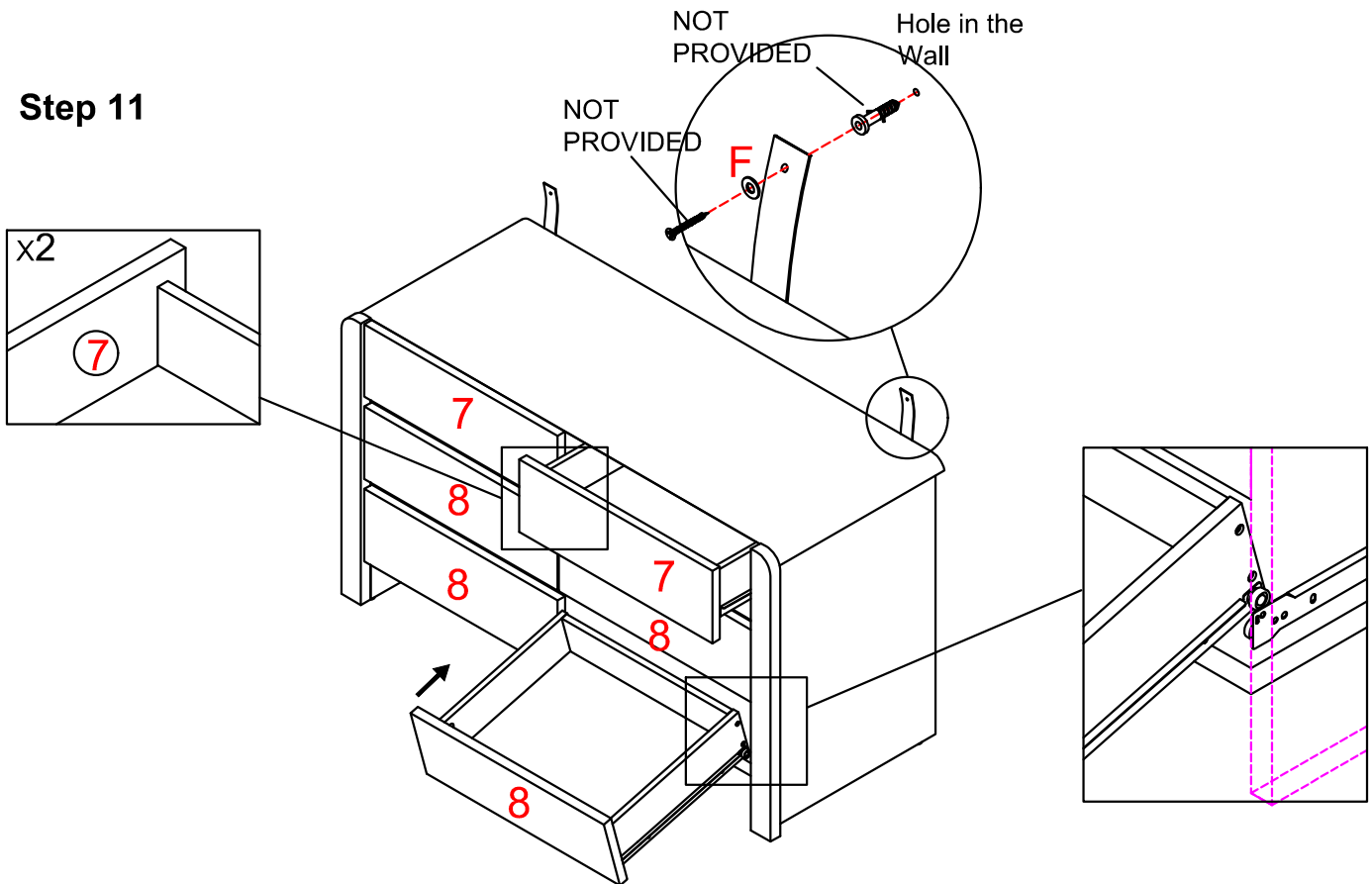
Step 9



Step 10



Step 11



WARNING:

To prevent your furniture from tilting forward and possibly causing property damage or personal injury it is recommended that you **Securely attach the safety strap provided to your wall using appropriate fixings**

IMPORTANT:

- DO NOT place toys or other child appealing items on top of this furniture
- AVOID fully opening all drawers at the same time
- DO NOT ALLOW Small children to climb onto Drawers, shelves or to swing from open doors

CAUTION:

For your safety when attaching the anti-tilt fixings;

- Check for any electrical wires or plumbing inside the wall before drilling any holes (if you are unsure please seek professional advice from a qualified tradesman)
- Walls are constructed from different materials eg: Masonry (solid brick) or plaster board lined cavity walls (hollow). It is important that you use the appropriate wall fixings for your wall type.

(Your local hardware store will have the necessary drills and fixings and can offer advice if needed) Page <5/5>