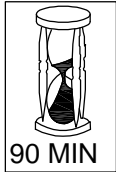


Minimum Two  
Persons Assembly



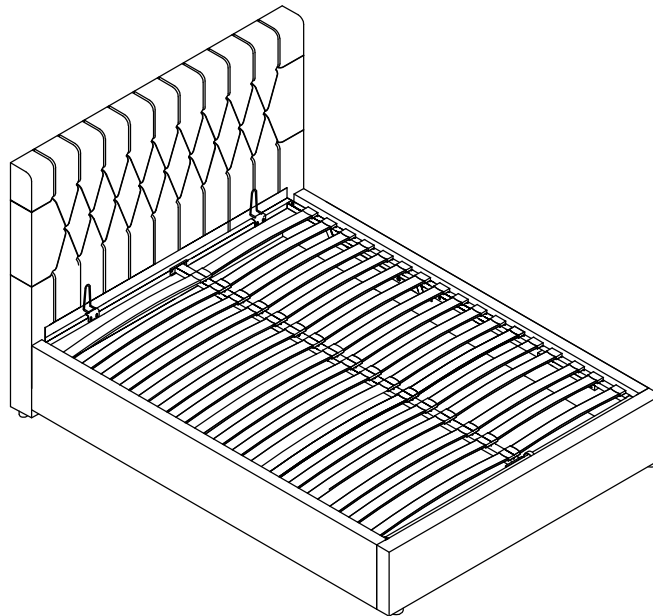
90 MIN  
Approximate  
Assembly Time



Sandra 150CM Ottoman Bedframe  
STK778209/STK778210

**Assembly instructions**

Please keep these instructions for future reference.



Regrettably self-assembly items cannot be returned once assembly is part or fully completed unless the items are found to be faulty. Should you need to return the unassembled product, please repack in its original packaging.

**Important information**

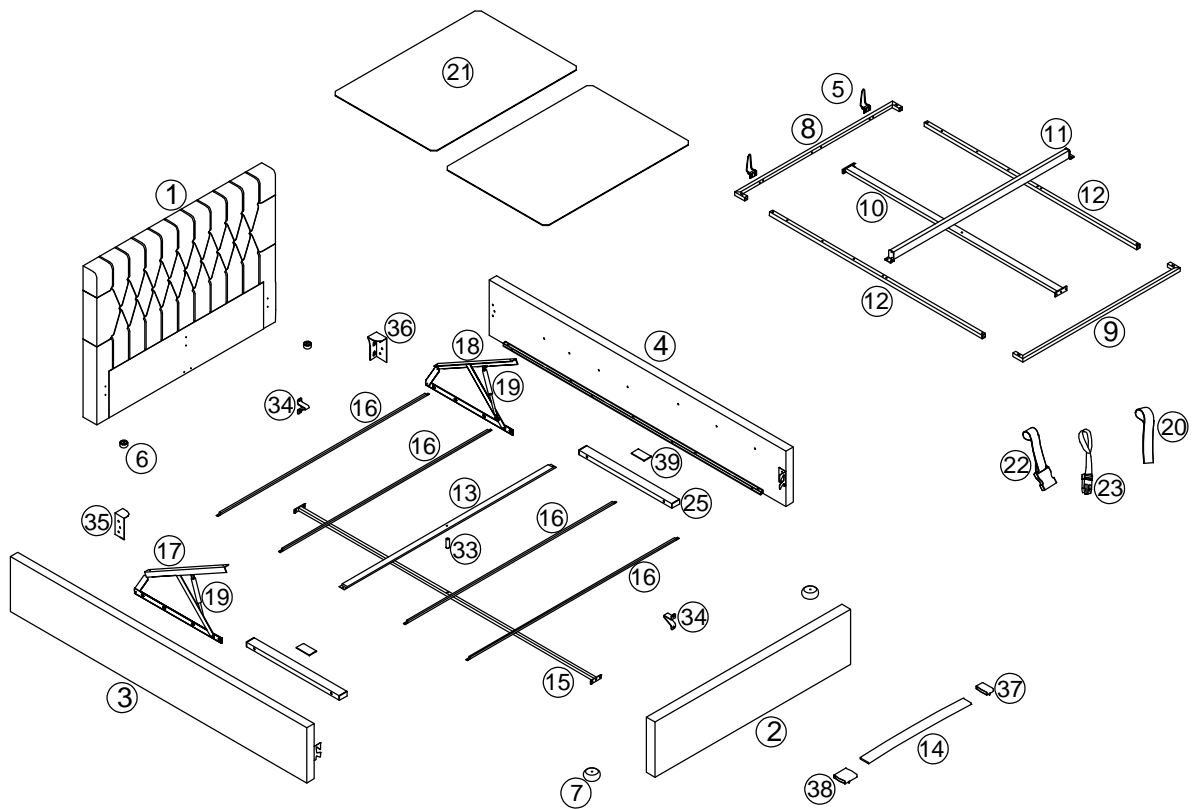
- We suggest you spend a short time reading through this leaflet and then follow the simple step-by-step instructions.
- Carefully check that you have all the parts before beginning assembly.
- Keep fittings out of children's reach and keep children well away from construction area.
- We suggest you retain these instructions for future reference.
- In the unusual event of an issue with your product would you please quote the batch I.D. number situated on the main parts of the frame (Head End- Foot End- side Rails).

**Product information**

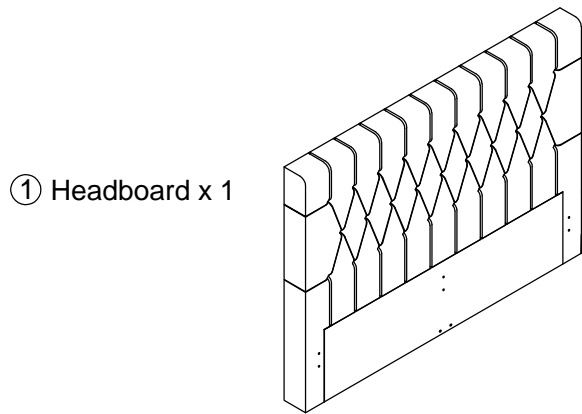
- Upholstered Bed Using Fabric Material.Conforms to BS EN1725 & BS 5852.

**Care instructions**

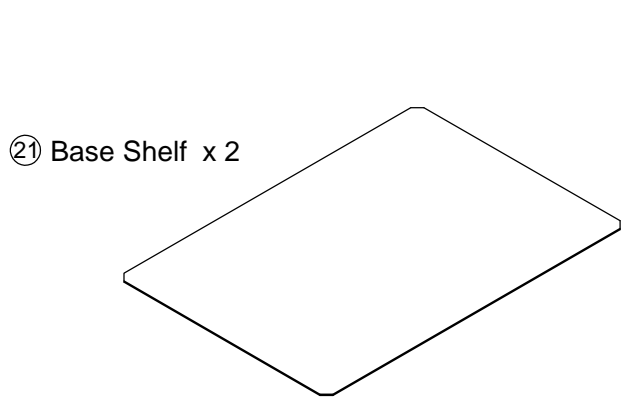
- Avoid exposing the furniture to excessive heat or direct sunlight as this can cause bleaching and deterioration of the color.
- Periodically check & re-tighten any fastener .
- Periodically dust lightly with a clean soft cloth.
- Any spills should be removed immediately with a damp cloth.
- TAKE CARE WHEN MOVING THE FURNITURE AND NEVER DRAG THE PIECES ACROSS THE FLOOR,AS THIS WILL CAUSE DAMAGE TO THE JOINTS.



Components of Carton A

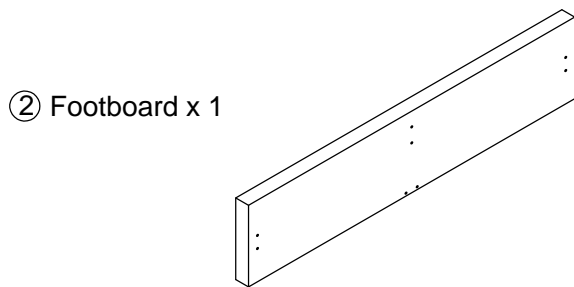


① Headboard x 1

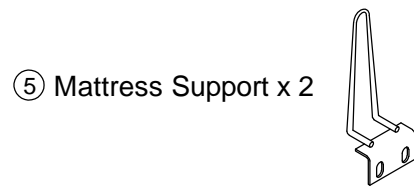


② Base Shelf x 2

Components of Carton B



② Footboard x 1



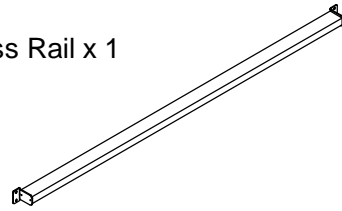
⑤ Mattress Support x 2

Components of Carton B

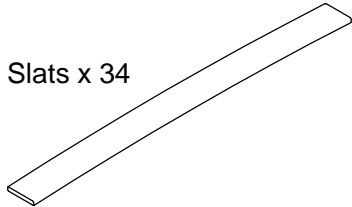
⑥ Head End Foot x 2



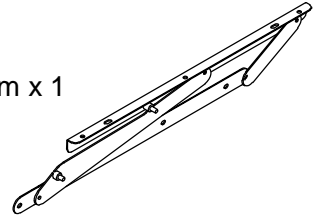
⑪ Cross Rail x 1



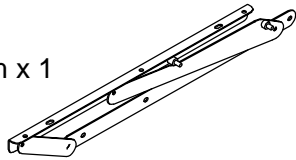
⑭ Wooden Slats x 34



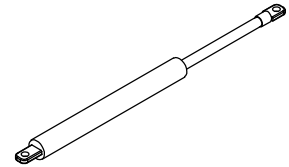
⑰ Left Lifting Arm x 1



⑱ Right Lifting Arm x 1



⑲ Gas Lift x 2



⑳ Strap x 1



㉒ Slatted Base Lock Buckle x 1



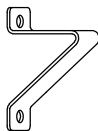
㉓ Footboard Lock Buckle x 1



㉔ Short Support Leg x 1



㉖ Base Support x 2



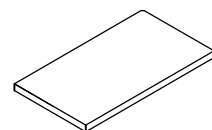
㉗ Left Bracket x 1



㉘ Right Bracket x 1

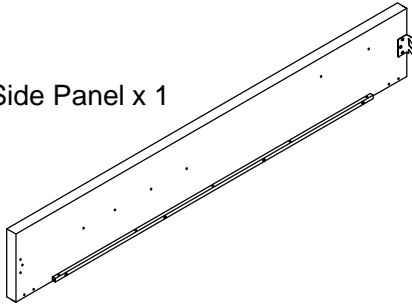


㉙ Silencing Pad x 2

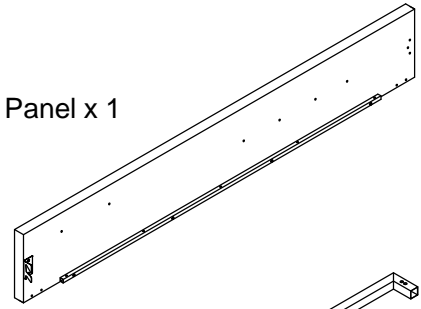


Components of Carton C

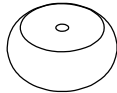
④ Right Side Panel x 1



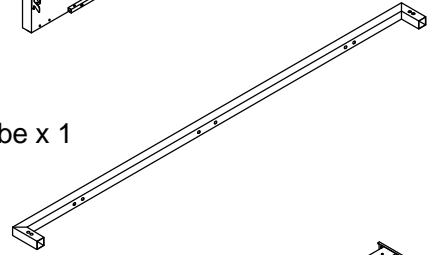
③ Left Side Panel x 1



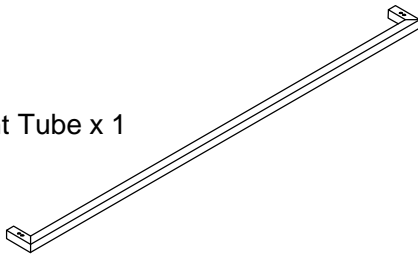
⑦ Foot End Foot x 2



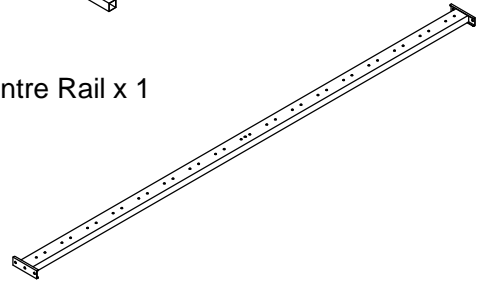
⑧ Back Tube x 1



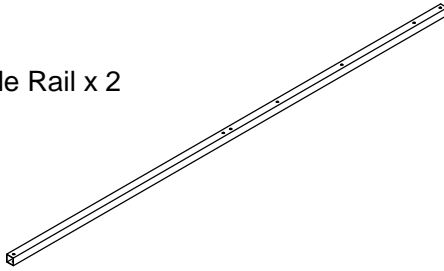
⑨ Front Tube x 1



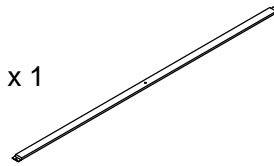
⑩ Centre Rail x 1



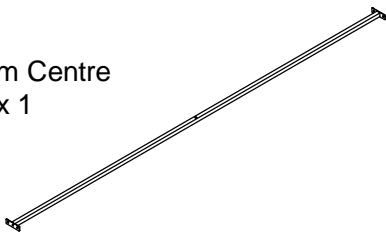
⑫ Side Rail x 2



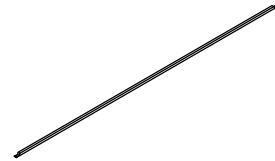
⑬ Support Rail x 1



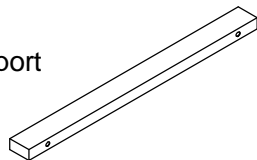
⑮ Bottom Centre Rail x 1



⑯ Support Rail x 4



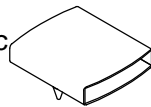
⑲ Bed Frame Support Bar x 2





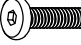

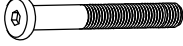





⑳ Single Slat Cap x 34 +2 pcs



㉑ Double Slat Cap x 17 +1 pc

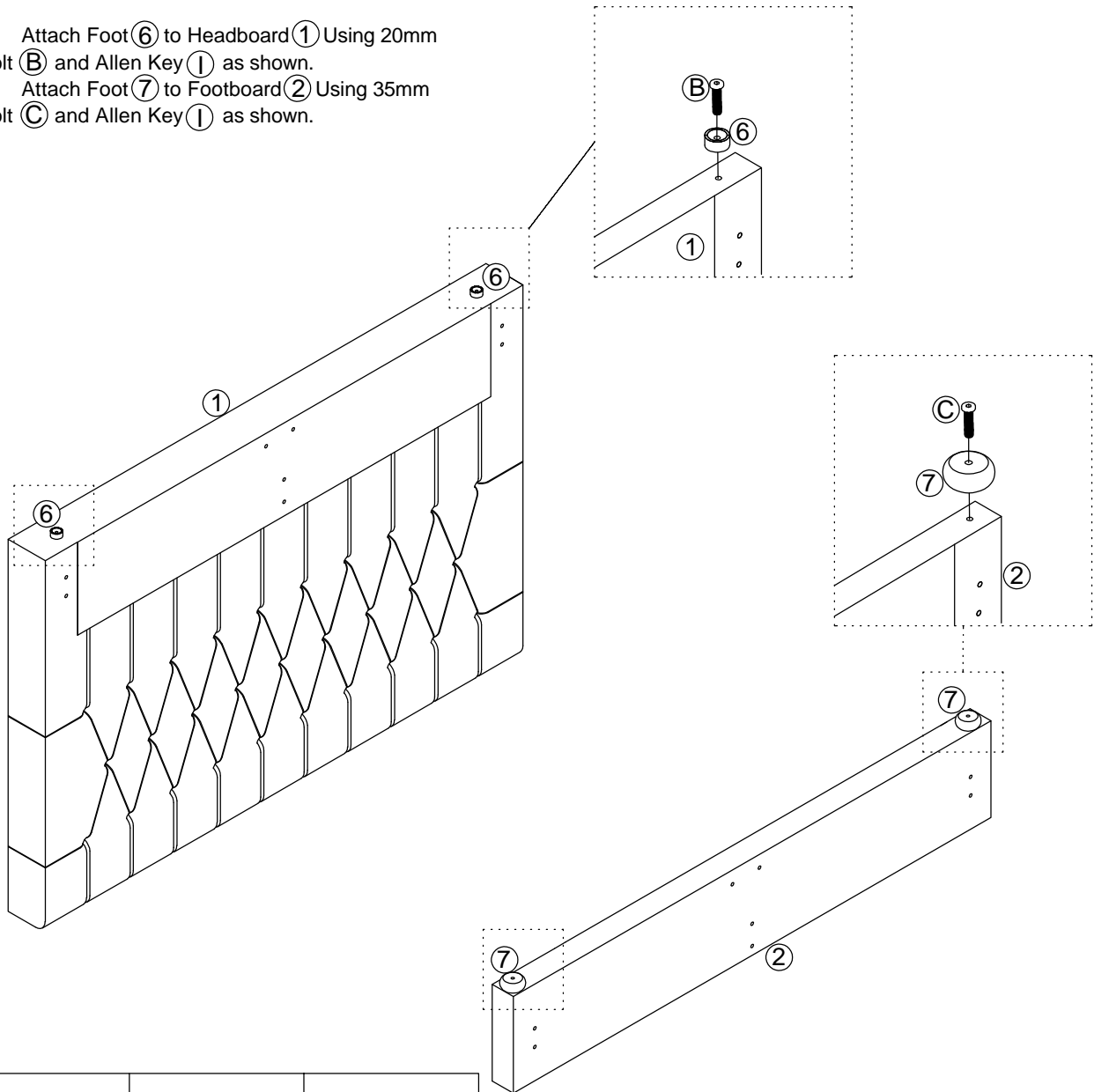





Hardware List in Carton B

<p>Ⓐ M6 x 15MM x 10</p> 	<p>Ⓑ M6 x 20MM x 46</p> 	<p>Ⓒ M6 x 35MM x 10</p> 	<p>Ⓓ M6 x 40MM x 2</p> 
<p>Ⓔ M8 x 65MM x 4</p> 	<p>Ⓕ M6 x 4</p> 	<p>Ⓖ M8 x 4</p> 	<p>Ⓗ M6 x 8</p> 
<p>Ⓘ ALLEN KEY 4MM x 1</p> 	<p>Ⓙ WRENCH x 1</p> 		

Step 1

- Attach Foot ⑥ to Headboard ① Using 20mm Bolt ⑦ and Allen Key ⑾ as shown.
- Attach Foot ⑦ to Footboard ② Using 35mm Bolt ⑧ and Allen Key ⑾ as shown.

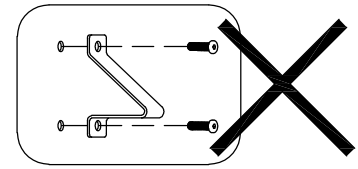
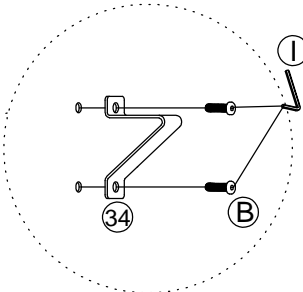
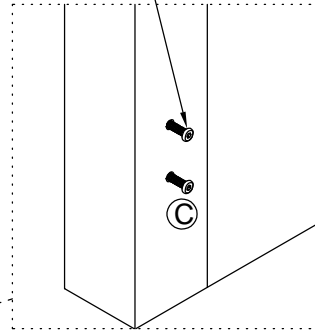
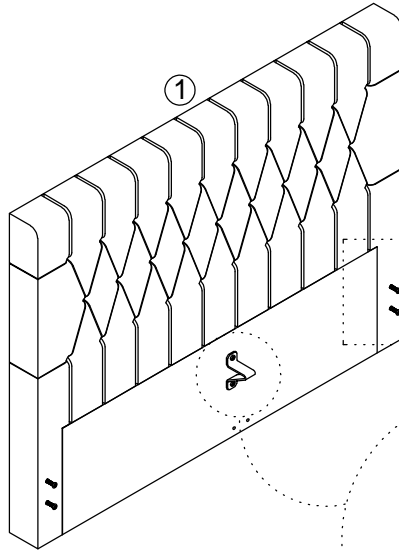


 <p>M6X20mm B X2</p>	 <p>M6X35mm C X2</p>	 <p>I X1</p>
---	---	---

### Step 2

- ▲ Attach Base Support (34) to Headboard (1). Using 20mm Bolt (B) and Allen Key (1) as shown.
- ▲ Screw (C) onto (1).

▲ Do not completely tighten the bolts, leave half of the bolt exposed.



▲ Incorrect installation method

  
M6X20mm  
BX2

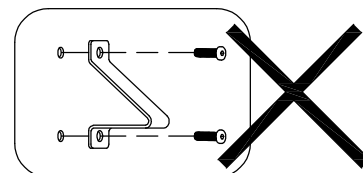
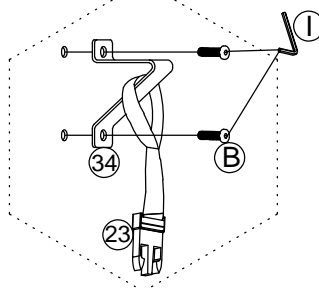
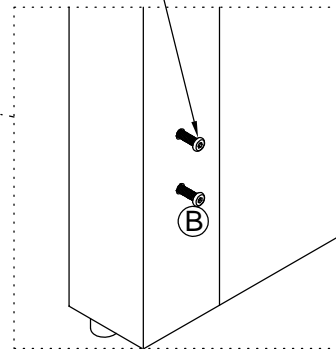
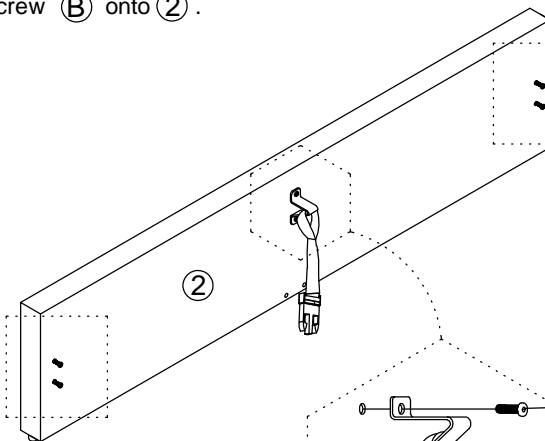
  
M6X35mm  
C X4

  
I X1

### Step 3

- ▲ Attach Base Support (34) and Buckle (23) to Footboard (2). Using 20mm Bolt (B) and Allen Key (1) as shown.
- ▲ Screw (B) onto (2).

▲ Do not completely tighten the bolts, leave half of the bolt exposed.



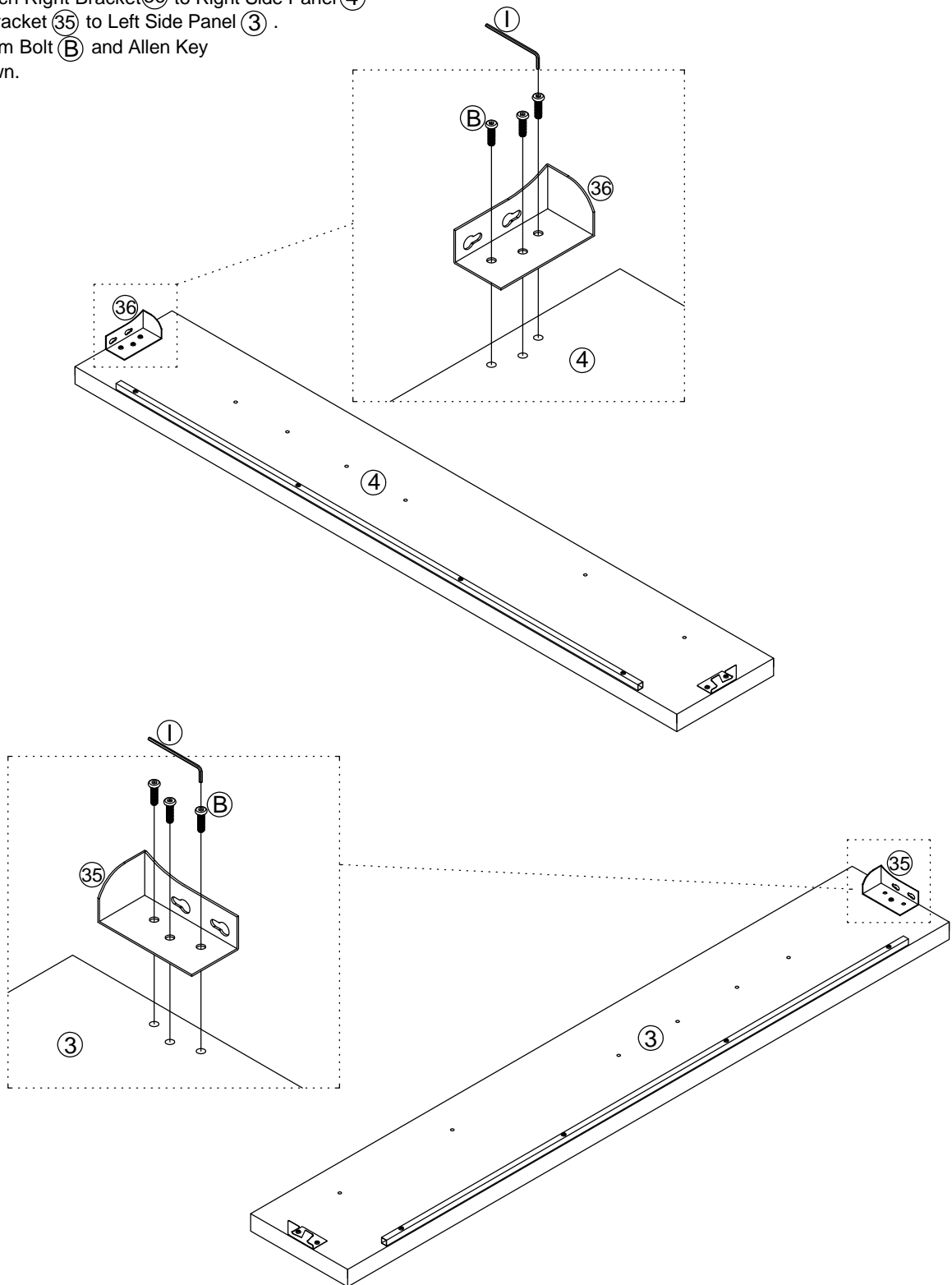
▲ Incorrect installation method

  
M6X20mm  
BX6

  
I X1

### Step 4

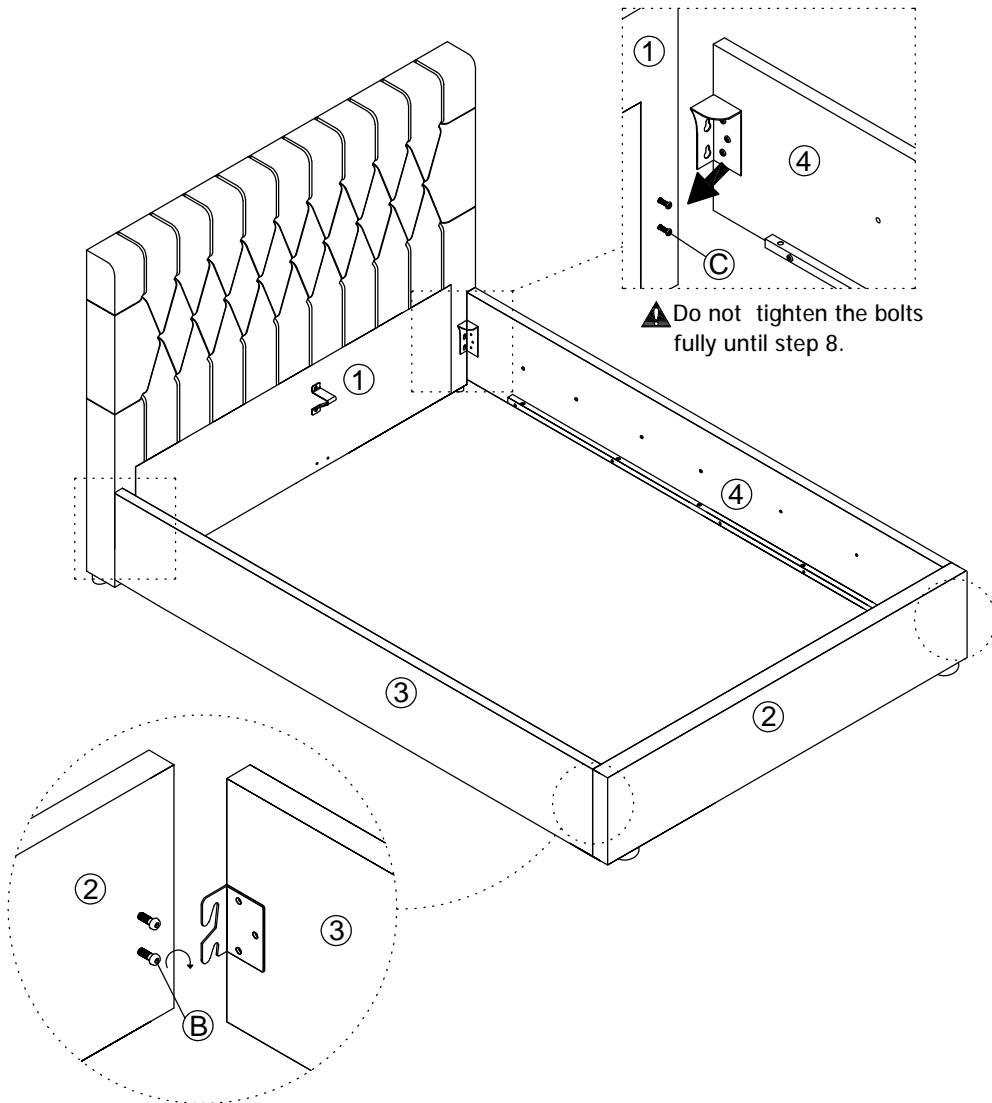
Ⓐ Attach Right Bracket (36) to Right Side Panel (4) and Left Bracket (35) to Left Side Panel (3). Using 20mm Bolt (B) and Allen Key (I) as shown.



  
M6X20mm  
BX6

  
I X1

Step 5

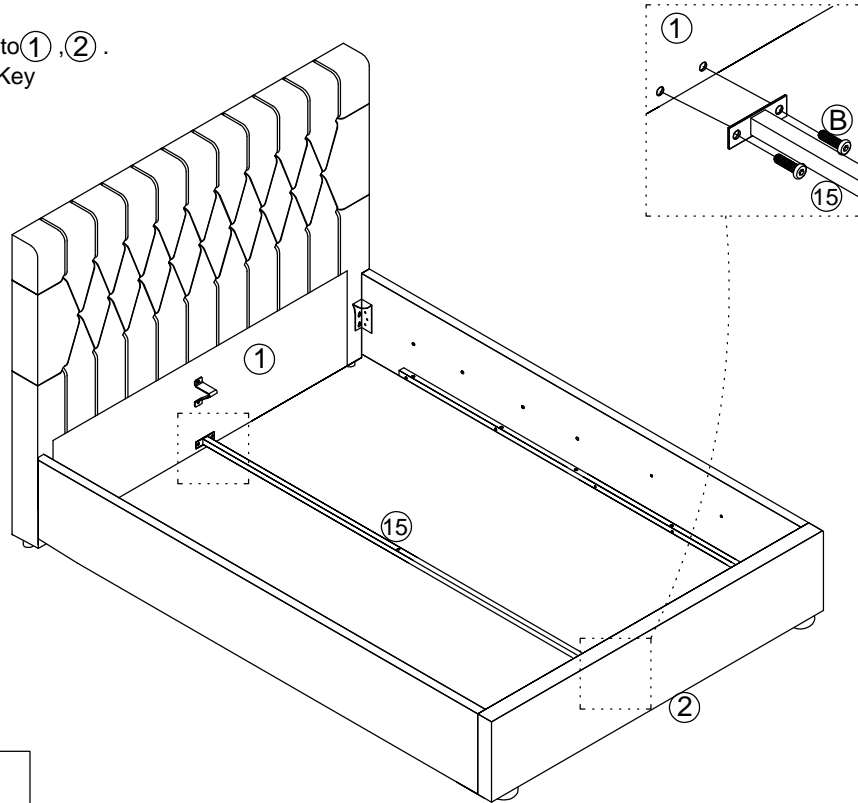


⚠ Do not tighten the bolts fully until step 8.



### Step 6

Attach Bottom Centre Rail (15) to (1), (2).  
Using 20mm Bolt (B) and Allen Key (1) as shown.

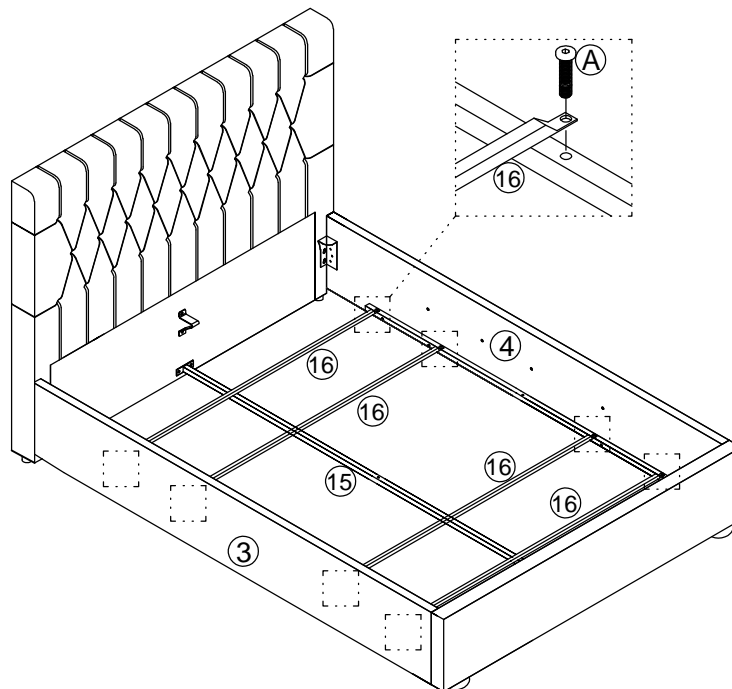


  
M6X20mm  
BX4

  
IX1

### Step 7

Attach Support Rail (16) to (3), (4).  
Using 15mm Bolt (A) and Allen Key (1) as shown.



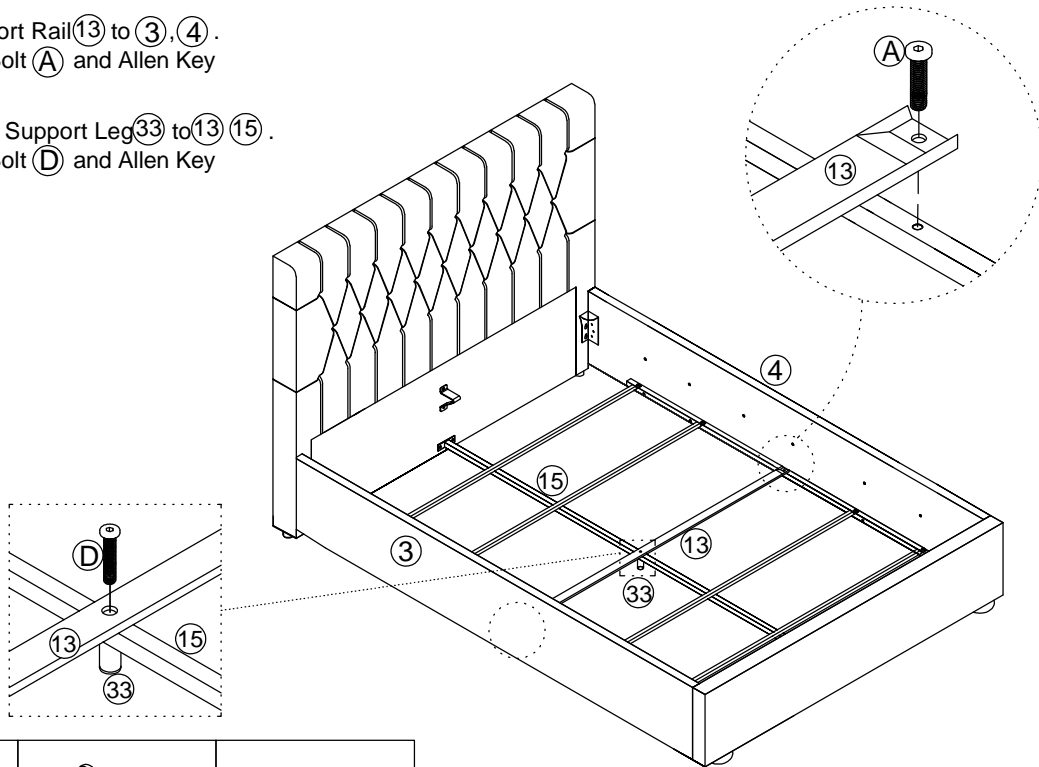
  
M6X15mm  
AX8

  
IX1

### Step 8

▲ Attach Support Rail (13) to (3), (4).  
Using 15mm Bolt (A) and Allen Key (I) as shown.

▲ Attach Short Support Leg (33) to (13) (15).  
Using 40mm Bolt (D) and Allen Key (I) as shown.



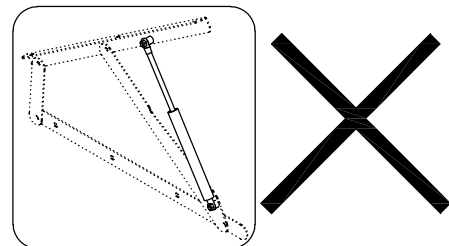
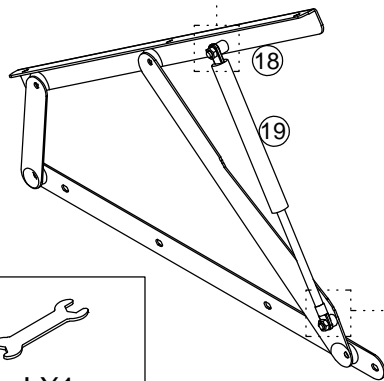
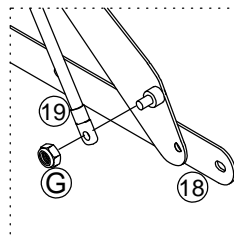
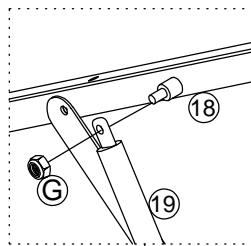
  
M6X15mm  
AX2

  
M6X40mm  
DX1

  
I X1


### Step 9

▲ Attach Gas Lift (19) to Right Hinge (18).  
Using M8 Nut (G) and Wrench (J) as shown.



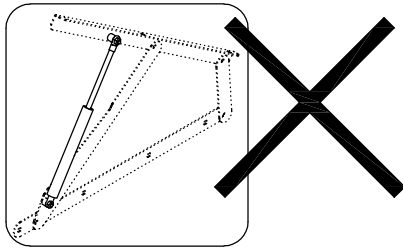
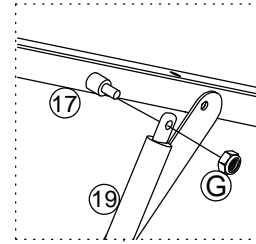
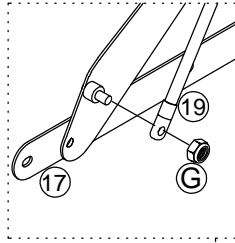
▲ **Incorrect:** The orientation of part (19) is upside down.

  
M8  
GX2

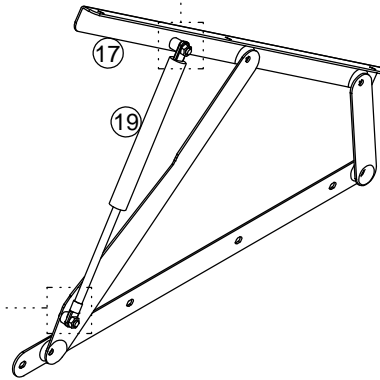
  
J X1

### Step 10

⚠ Attach Gas Lift (19) to Left Hinge (17).  
Using M8 Nut (G) and Wrench (J) as shown.



⚠ **Incorrect:** The orientation of part (19) is upside down.



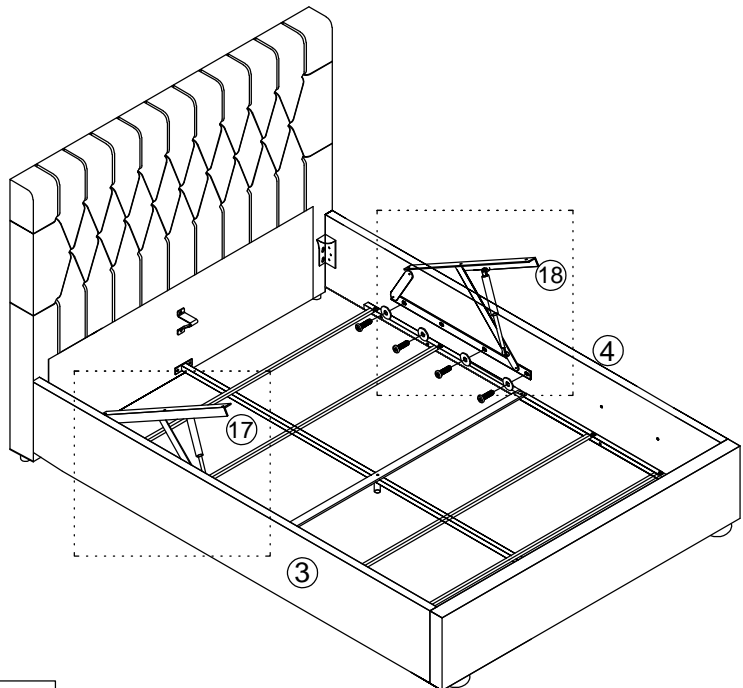
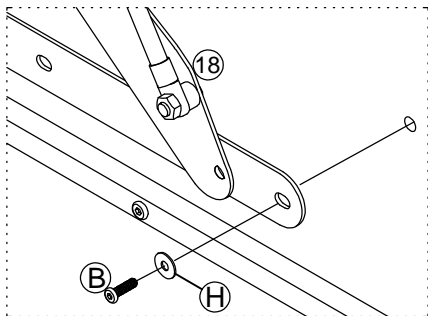
M8  
GX2



J X1

### Step 11

⚠ Attach (17) to (3), (18) to (4).  
Using 20mm Bolt (B), M6 Washer (H) and Allen Key (I) as shown.



M6X20mm  
BX8

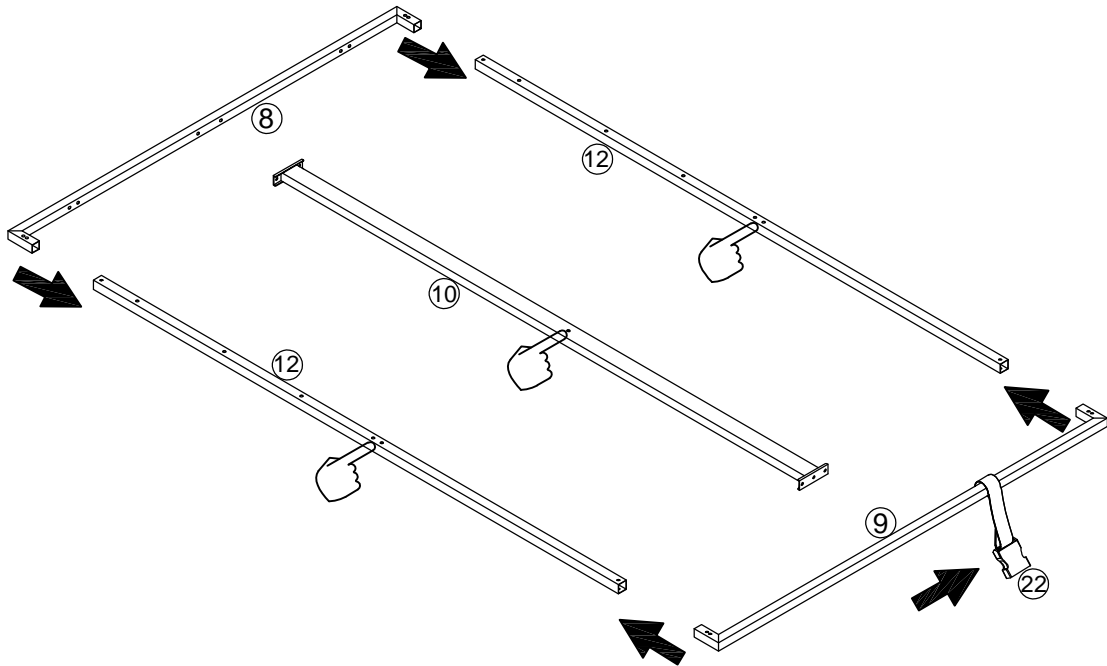


M6  
HX8



I X1

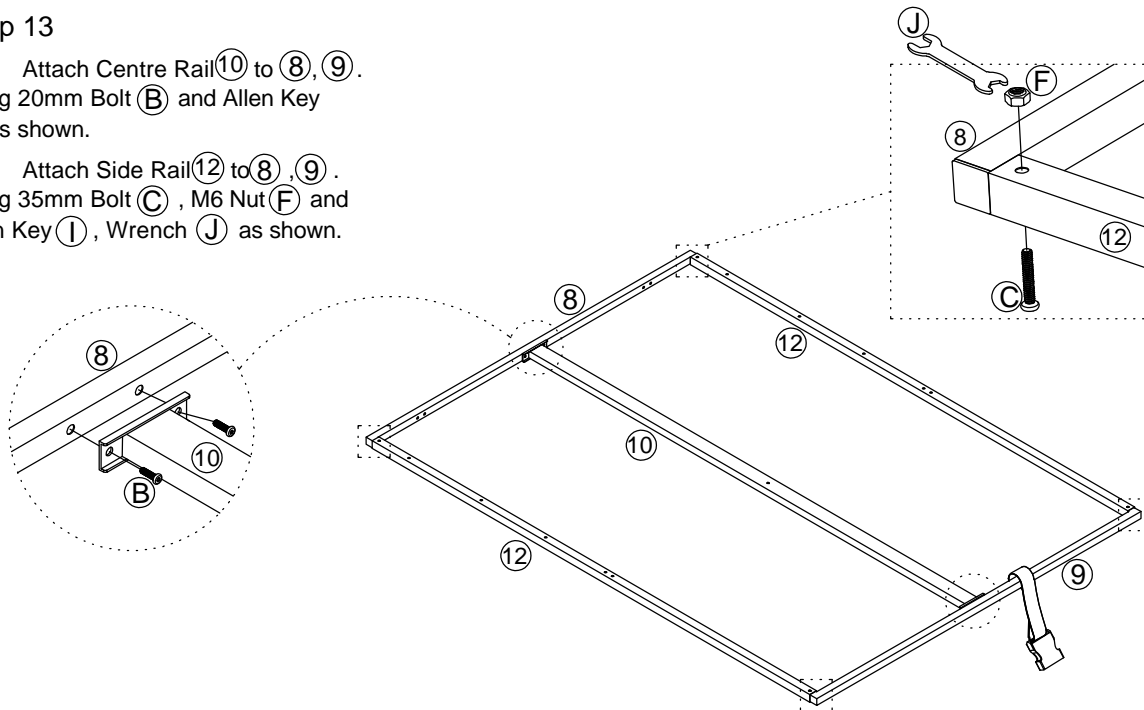
### Step 12



### Step 13

⚠ Attach Centre Rail (10) to (8), (9).  
Using 20mm Bolt (B) and Allen Key (I) as shown.


⚠ Attach Side Rail (12) to (8), (9).  
Using 35mm Bolt (C), M6 Nut (F) and Allen Key (I), Wrench (J) as shown.



  
M6X20mm  
BX4

  
M6X35mm  
C X4

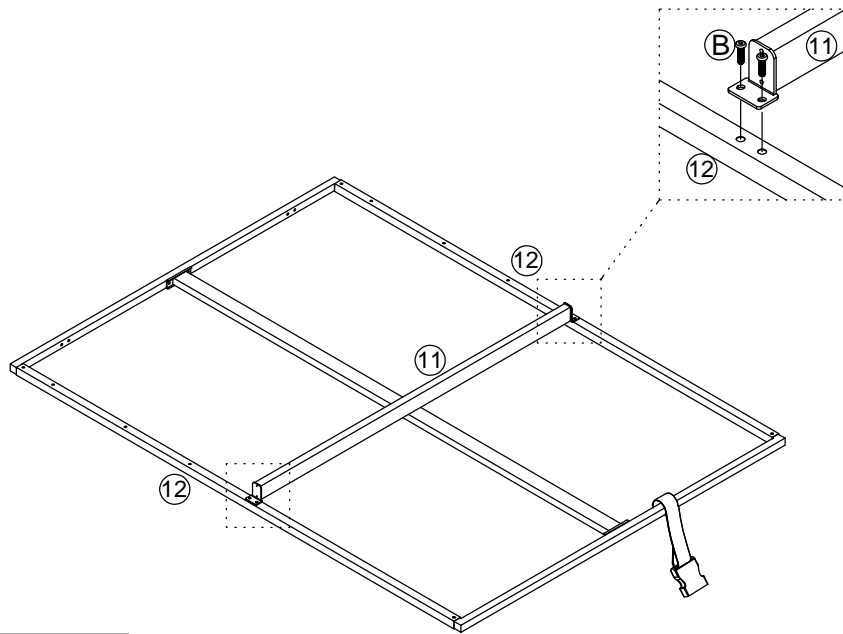
  
M6  
F X 4

  
J X1

  
I X1

### Step 14

▲ Attach Cross Rail (11) to (12).  
Using 20mm Bolt (B) and Allen Key  
(1) as shown.

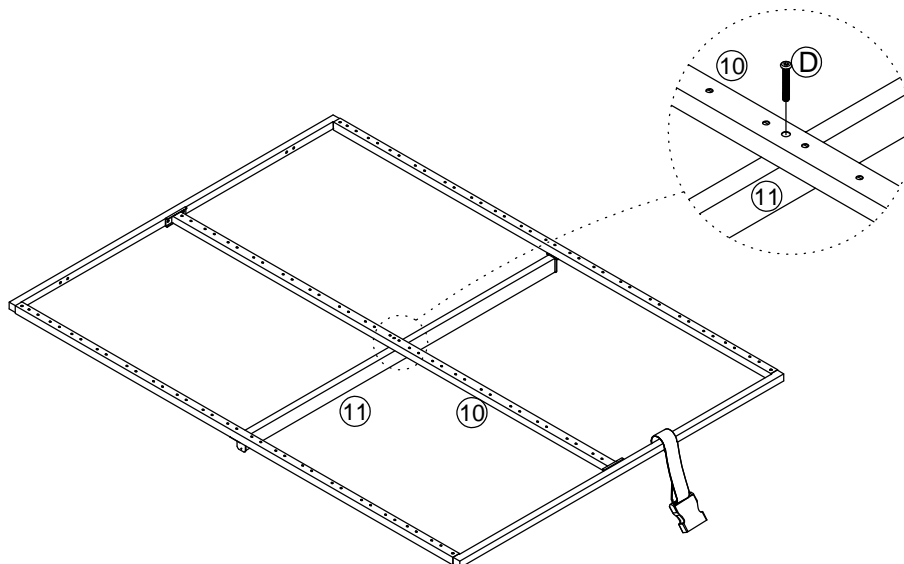


  
M6X20mm  
BX4

  
I X1

### Step 15

▲ Attach Cross Rail (11) to (10).  
Using 40mm Bolt (D) and Allen Key  
(1) as shown.



  
M6X40mm  
DX1

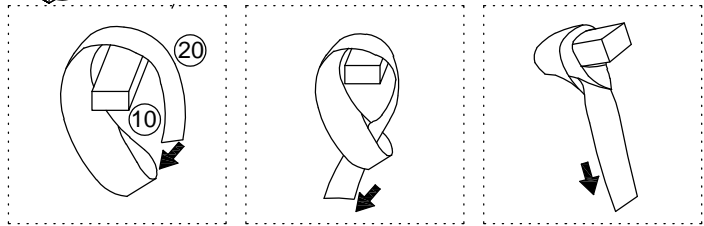
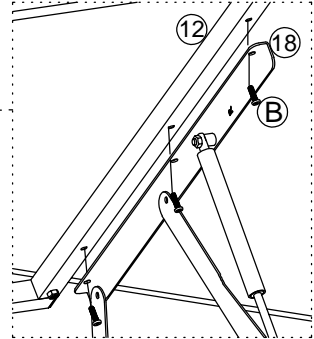
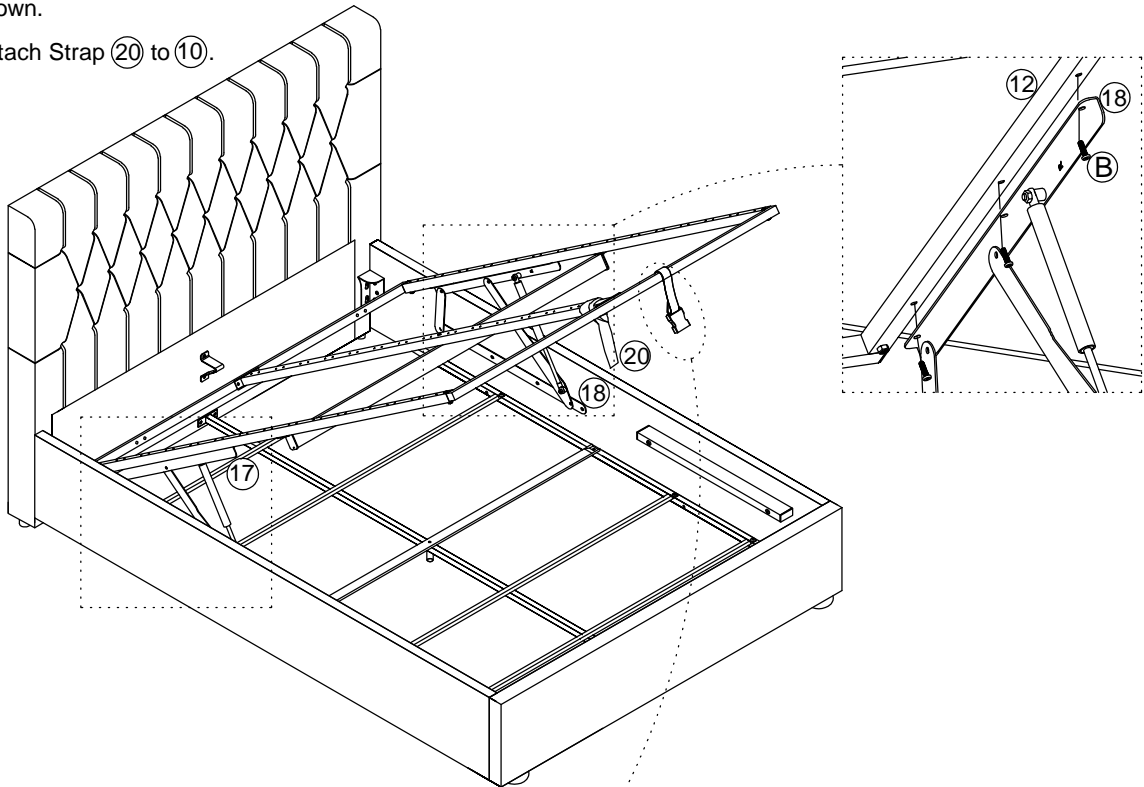
  
I X1

▲ Turn around the bedbase frame

### Step 16

Ⓐ Attach Hinge (17) (18) to (12).  
Using 20mm Bolt (B) and Allen Key  
① as shown.

Ⓐ Attach Strap (20) to (10).



Strap installation steps



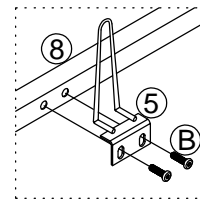
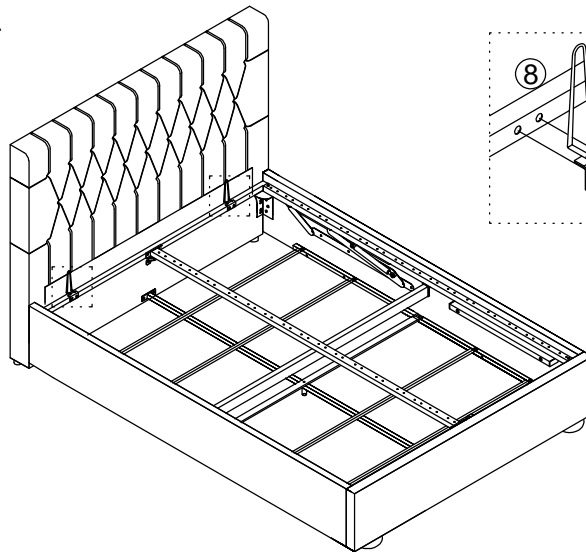
M6X20mm  
BX6



I X1

### Step 17

Ⓐ Attach Mattress Stopper (5) to (8).  
Using 20mm Bolt (B) and Allen Key  
① as shown.



M6X20mm  
BX4



I X1

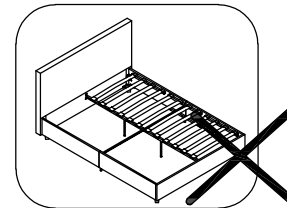
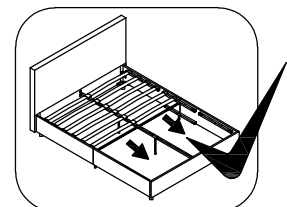
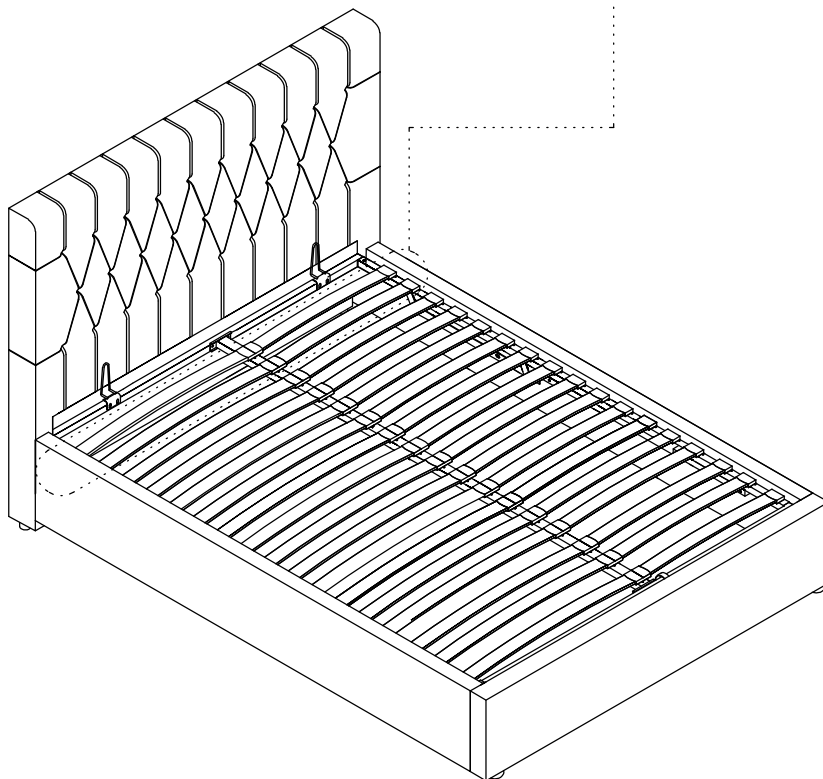
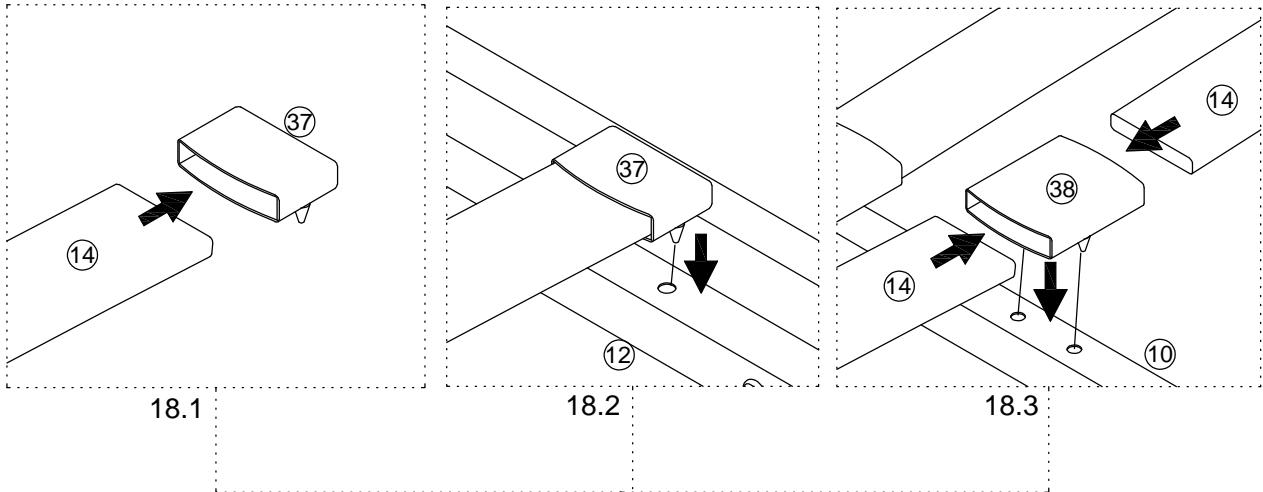
## Step 18

18.1 Insert Wooden Slats (14) into Single Slat Cap (37);

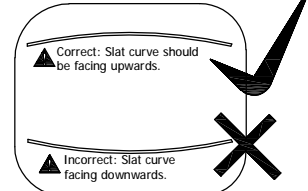
18.2 Press Single Slat Cap (37) into Side Rail (12), repeat the same procedure for the opposite side.

18.3 Insert ends of both Wooden Slats (14) into Double Slat Cap (38), then press Double Slat Cap (38) into Centre Rail (10) as illustrated.

Repeat the same procedures going backwards for every row of slats.

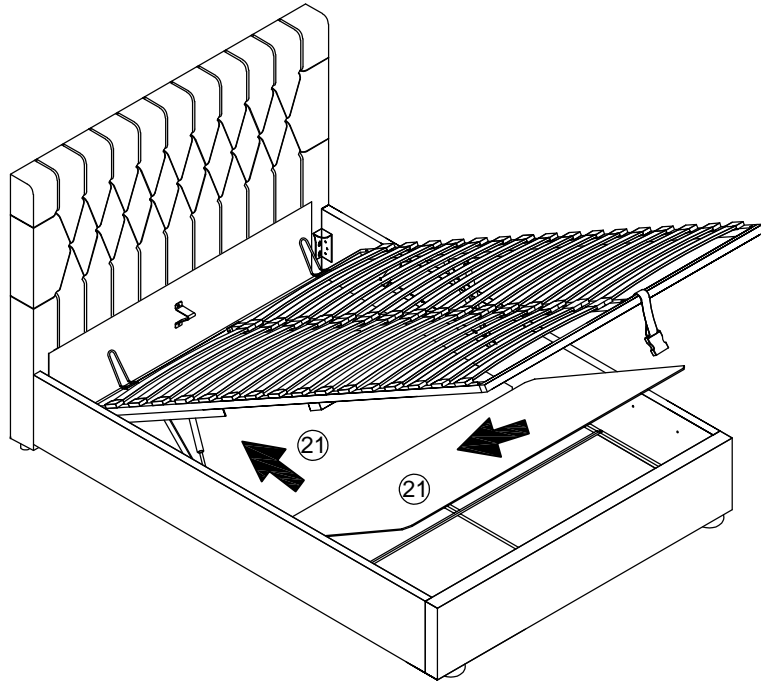


### SLAT WARNING



### Step 19

▲ Gently place Base Shelf (21) inside the assembled bed base.



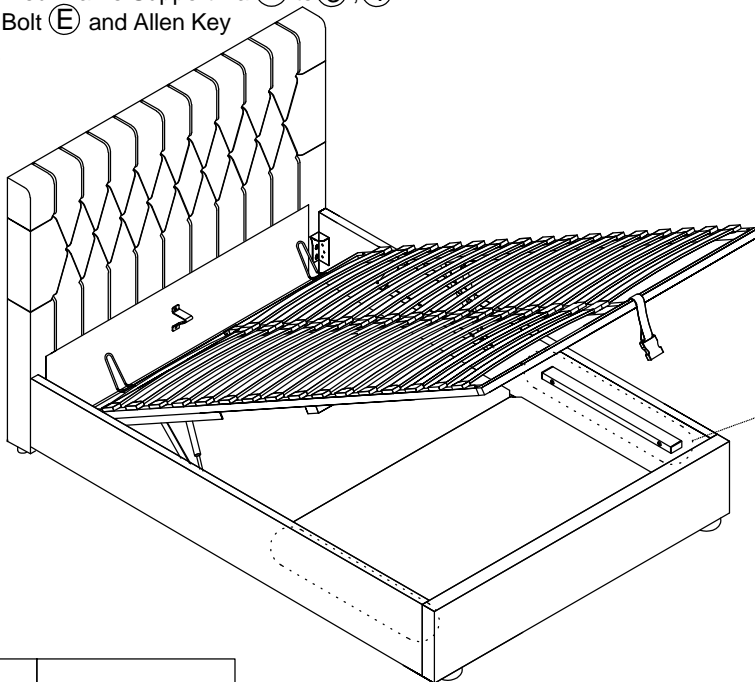
### Step 20

▲ Attach Silencing Pad (39) to Bed Frame Support Bar (25).

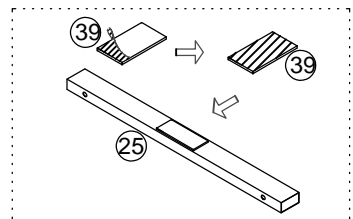
▲ Attach Bed Frame Support Bar (25) to (3), (4).

Using 65mm Bolt (E) and Allen Key

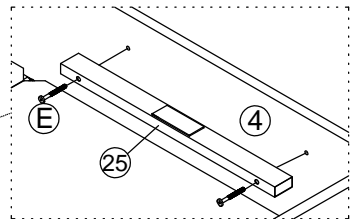
(I) as shown.



20.1



20.2



M8X65mm

EX4

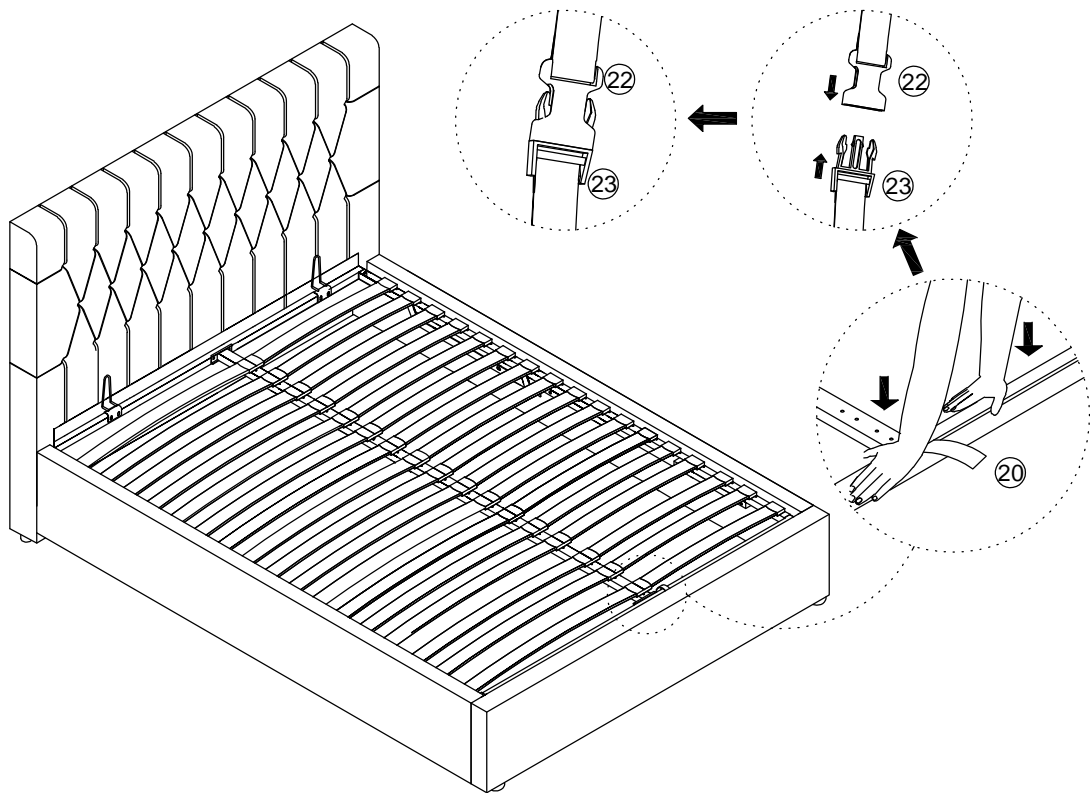


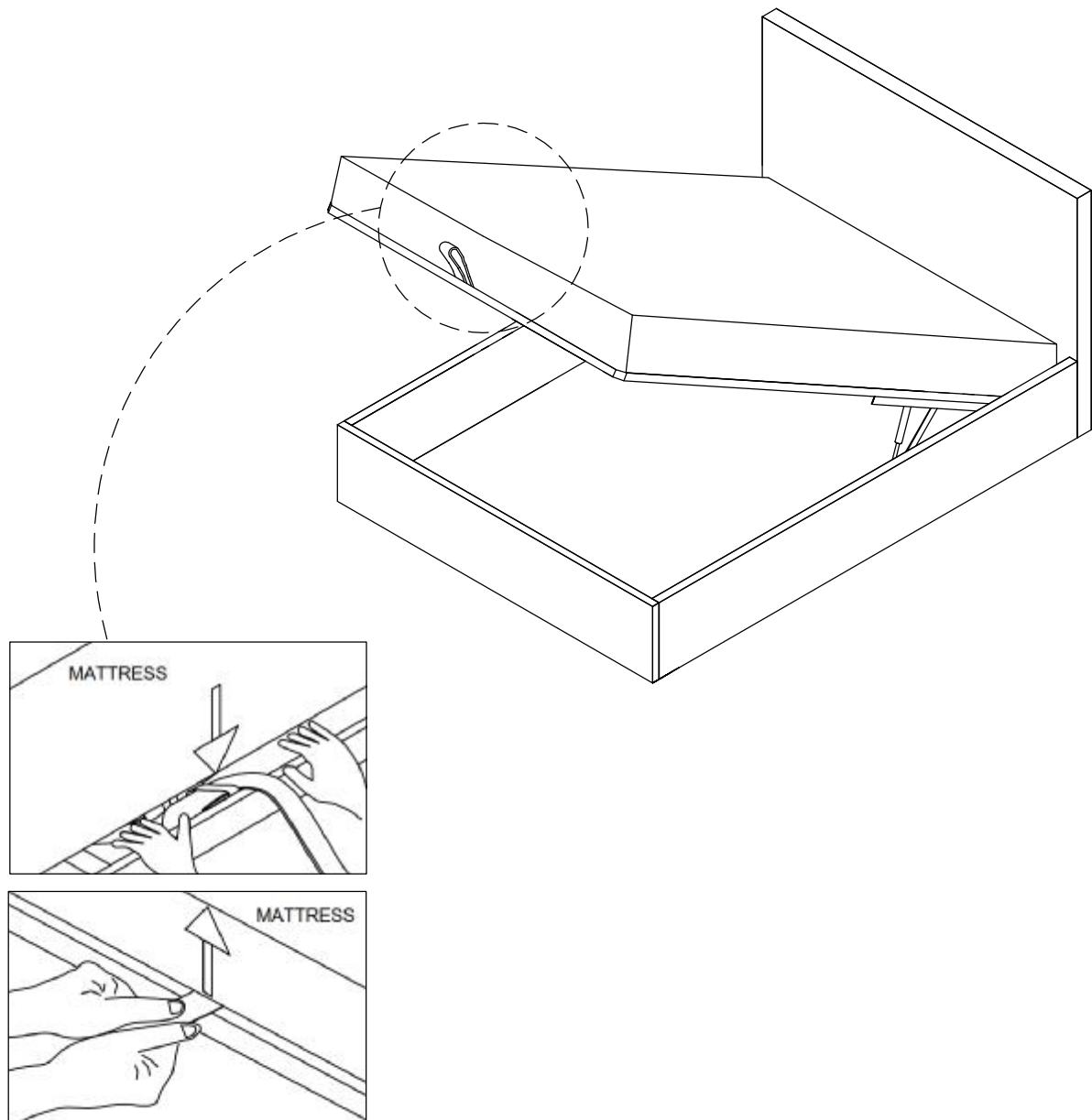
I X1



Step 21

Ⓐ Close base and attach safety Buckle  
⑳ to ㉓.





- WARNING: PLEASE DO NOT ALLOW CHILDREN OR PETS INSIDE THE STORAGE AREA.
- WARNING: PLEASE BE CAREFUL WHEN LIFTING.  
ONLY LIFT WITH MATTRESS ON TOP.  
TO BE OPERATED BY ADULTS ONLY.
- WARNING: PLEASE DO NOT PRESS DOWN ON THE MATTRESS WHEN  
THE BED FRAME IS IN THE LIFT UP POSITION.
- WARNING: THE BED FRAME TOP MUST ONLY BE CLOSED BY USING TWO  
HANDS EQUALLY SPACED FROM THE CENTER OF THE  
MATTRESS BASE.

Use the strap handle to lift up the mattress base using two hands  
Pull the mattress base down using two hands equally spaced from  
the center of the mattress base. DO NOT pull down on one side of base  
only as this is likely to damage the base system with potential  
failure of the mattress base system and lift mechanism.  
The mattress needs to be placed on the sleeping base to help lower it.