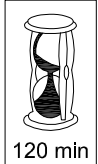


P.O.Number :  
Please Keep This Number For  
Future Reference  
**THIS FORMS PARTS OF  
YOUR GUARANTEE!!**

**bensons**  
for beds



**MINIMUM TWO  
PERSON ASSEMBLY**

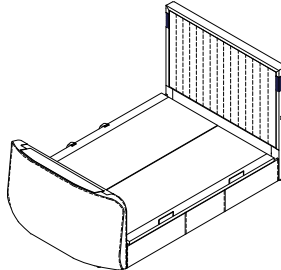


**APPROXIMATE  
ASSEMBLY TIME**

**AURA TV OTTOMAN BEDFRAME 135 / 150 / 180 cm**  
**STK786201 / STK786202 / STK786203**  
**STK786204 / STK786205 / STK786206**

**Assembly Instructions**

Please keep these instructions for future reference.



Regrettably self-assembly items cannot be returned once assembly is part or fully completed unless the items are found to be faulty. Should you need to return the unassembled product, please repack in its original packaging.

**Important Information**

- We suggest you spend a short time reading through this leaflet and then follow the simple step-by-step instructions.
- Carefully check that you have all the parts before beginning assembly.
- Keep fittings out of children's reach and keep children well away from construction area.
- We suggest you retain these instructions for future reference.

**Product Information**

- Media TV bed.
- Upholstered fabrics and fillings conform to BS5852. Bedframe conforms to BSEN1725.
- TV Lift system has a maximum load capacity of 80lbs ( 37kg )
- Compatible with slimline LED televisions with a screen size of 20" to 43".
- Maximum T.V dimensions D85mm x W980mm x H580mm (WITHOUT STAND)

**Care Instructions**

- Avoid exposing the furniture to excessive heat or direct sunlight as this can cause cracking or deterioration of the color.
- Periodically check & re-tighten any fastener.
- Periodically dust lightly with a clean soft cloth. We recommend hoovering to remove dust.
- Any spills should be removed immediately with a soft damp cloth.
- **TAKE CARE WHEN MOVING THE FURNITURE AND NEVER DRAG THE PIECES ACROSS THE FLOOR, AS THIS WILL CAUSE DAMAGE TO THE JOINTS.**

**Whereas every effort has been made to allow this product to utilise the maximum number of TV's available it is not possible to accommodate every product in an ever changing market. It is the responsibility of the customer to ensure suitability of the TV to the TV bed before attempting operation. It is the customers responsibility to ensure all wiring is correctly placed in accordance with both the TV and TV bed manufacturer.**

**Bensons for Beds will not be held responsible for any damage caused to the TV, TV Cabling or TV bed due to incompatibility of equipment used.**

**NOTE**

The audio user manual is available and has been included inside the accessories box. This is importance of providing clear instructions and the audio user manual has been designed to assist users in understanding the features and functionalities of our product. It contains detailed information on how to set up, operate, and troubleshoot any potential issues that may arise.

We highly recommend that you familiarize yourself with the contents of the audio user manual before using the product. It will ensure a seamless and enjoyable experience, while also addressing any queries or concerns that you may have.

**CAUTION**

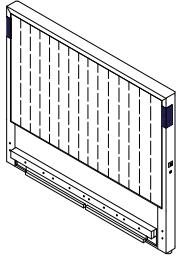
If you are using a USB storage device in the TV USB port. It may cause unexplained issues with the TV bed media system. Please unplug the USB storage device when not in use.

**PLEASE NOTE.**

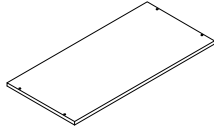
If you are using TV's which are not listed as compatible in your user instructions, Unusual scenario's may arise with the CEC connection system on your tv.

## Components of Carton 1

(A) Headboard x 1



(B) Media  
Compartment  
Base Panel x 1



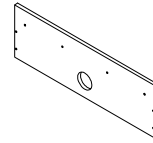
(C) Media  
Compartment Side  
Panel (Left) x 1



(D) Media  
Compartment Side  
Panel (Right) x 1



(E) Media  
Compartment  
Rear Panel x 1

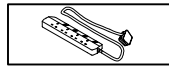
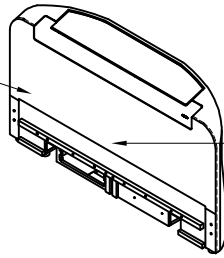


Hardware  
Bag

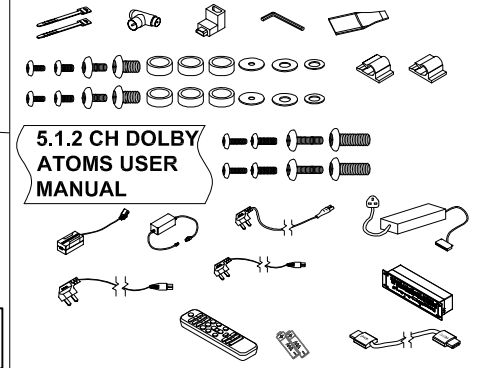
## Component of Carton 2

(F) Footboard x 1

TV Mechanism  
pre-fixed in the foot end

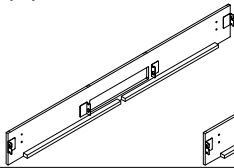


Hardware Box

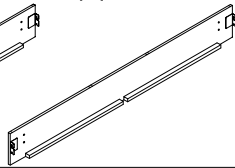


## Components of Carton 3

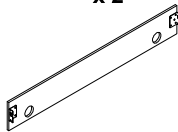
(G) Side Rail-1 x 1



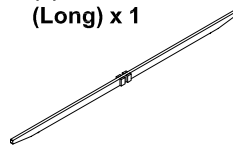
(H) Side Rail-2 x 1



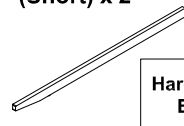
(I) Centre Panel  
x 2



(J) Bottom Cross Rail  
(Long) x 1



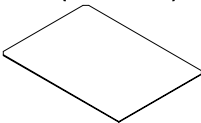
(K) Bottom Cross Rail  
(Short) x 2



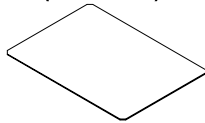
Hardware  
Bag

## Components of Carton 4

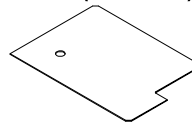
(L-1) Bottom Base  
Left x 1 (Head End)



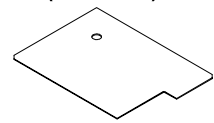
(L-2) Bottom Base  
Right x 1 (Head End)



(M) Bottom Base  
Left x 1 (Foot End)

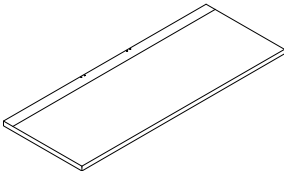


(N) Bottom Base  
Right x 1 (Foot End)

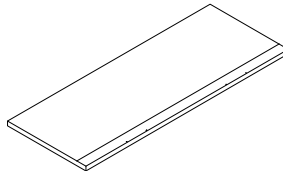


## Components of Carton 5

(O) Lift Base -1 x 1

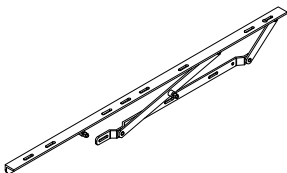


(P) Lift Base -2 x 1

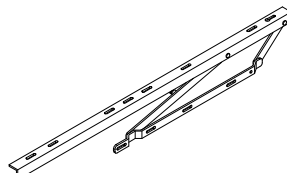


## Components of Carton 6


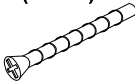
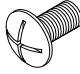

(Q) Lift Up Mechanism Left x 1







(R) Lift Up Mechanism Right x 1



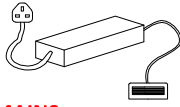
### Hardware List (in Carton 1)

(S) M8 x 25mm x 9 (Pre-Installed) 	(T) M5 x 35mm (Black) x 12 	(U) M8 x 16mm x 4 	(V) M8 Washer x 5 
---	--	--	---

### Hardware List (in Carton 2)




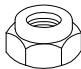
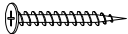
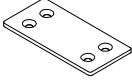
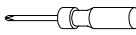



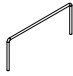



(S) M8 x 25mm x 9 (Pre-Installed) 	(V) M8 Washer x 5 	(W) M4 x 12mm x 4 (Pre-Installed) 	(X) M4 x 35mm x 2 (Pre-Installed) 
---	---	---	---

(Y) **6 Way AC Adaptor**  
x 1





**MUST BE PLUGGED DIRECTLY INTO A MAINS SOCKET AND NOT AN EXTENSION LEAD**

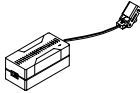
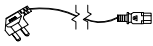
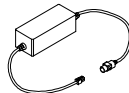


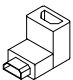


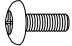
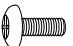
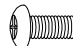







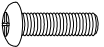
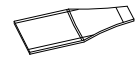
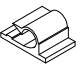
### Hardware List (in Carton 3)

(U) M8 x 16mm x 8 (Pre-Installed) 	(Z) M6 x 20mm x 4 	(AA) M6 Washer x 4 	(AB) M8 Lock Nut x 4 
(AC) Rattan Screw x 16 	(AD) 3 X 40 X 86mm x 4 	(AE) Screw Driver x 1 	(AF) Allen Key M4 x 1 
(AG) Spanner x 1 	(AH) Gas Spring x 2  * DOUBLE 800N * KING 1000N * SUPER KING 1400N	(AI) Ø5 x 80 x 200mm Black x 2 	
(AJ) Strap Handle x 2 	(AK) LED Censor Light x 1 	(AL) Screw x 2 	

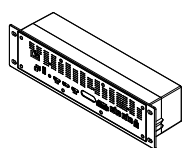
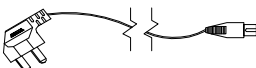
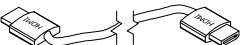
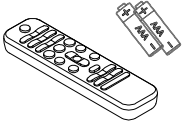
### Hardware List (in Carton 5)

(Z) M6 x 20mm x 14 (Pre-Installed) 	(AA) M6 Washer x 12 (Pre-Installed) 	
--	---	--

### Hardware List-TV Lift & TV Connection (in Carton 2)

<p>(12) AC Adaptor x 1</p> 	<p>(13) TV lift up mechanism AC/ power cable power plug x 1</p> 	<p>(14) Control Box x 1</p> 	<p>(15) Cable Clip x 2</p> 
<p>(16) Aerial Connection x 1</p> 	<p>(17) 90 degree HDMI adaptor x 1</p> 	<p>(18) Allen Key M4 x 1</p> 	<p>(19) PH Screw M4 x 20mm x 2</p> 
<p>(20) PH Screw M5 x 20mm x 2</p> 	<p>(21) PH Screw M6 x 20mm x 2</p> 	<p>(22) PH Screw M8 x 20mm x 2</p> 	<p>(23) M5 Washer x 2</p> 
<p>(24) M6 Washer x 2</p> 	<p>(25) M8 Washer x 2</p> 	<p>(26) Plastic Collar x 6</p> 	<p>(27) PH Screw M4 x 40mm x 2</p> 
<p>(28) PH Screw M5 x 40mm x 2</p> 	<p>(29) PH Screw M6 x 40mm x 2</p> 	<p>(30) PH Screw M8 x 40mm x 2</p> 	<p>(31) Wireless Remote Control Pocket x 1</p> 
<p>(32) Cable Clip x 2</p> 			

### Audio / Speaker System Connection Hardware (In Carton 2)

<p>(VIII) Amplifier x 1</p> 	<p>(X) AC Power Cord x 1</p> 	<p>(XI) HDMI Cable x 1</p> 	<p>(XII) Remote Control x 1 Batteries x 2</p> 
---	--	---	---

## Tips before you start!

1. Please check that all parts are present before you start the assembly of your furniture.
2. Before starting the assembly please decide which side you wish to have the ottoman opening.
3. For ease and speed of assembly, we recommend that before you commence each step of the assembly, that you identify all the parts required for that step.
4. For larger items, please ensure that you have sufficient space and people (as indicated on page 1) to assemble your product safely. (Minimum Two Persons)
5. We recommend where possible, all items are assembled near to the area where they will be placed in use, to avoid moving the product unnecessarily once assembled.
6. Please ensure that your bed is placed on a level floor area. (Avoid setting up and installing your bed on uneven floor surface.
7. For the protection of your furniture, we recommend that the product is placed on a protected surface during assembly to prevent any damage.
8. During assembly please take care not to over-tighten any fittings, as this may damage the product.
9. Please ensure the TV bed is assembled as close as possible to the power supply source.
10. Please connect the LED Driver directly to a mains wall socket. (Not the extension socket)

## Care and Maintenance of your Furniture

- Please periodically check all fittings and re-tighten as necessary.
- To clean your item, please use a soft damp cloth and wipe clean.
- Please do not jump on your furniture.
- Never allow any kind of liquid to remain on your furniture. This can cause finishes to de-laminate. Take care when spraying Perfume and deodorants etc as the vapour can settle on the fabric surface and cause damage.
- It is important to Never Drag your bed as this can cause damage to the joints and the fixings. This may invalidate your guarantee.
- The bed should always be lifted into position or if moved for cleaning.

### ATTENTION! PLEASE NOTE:

In the event you are experiencing any technical difficulties and you require additional assistance/ support with your product 'Mechanical/ Electrical' function - Please visit:

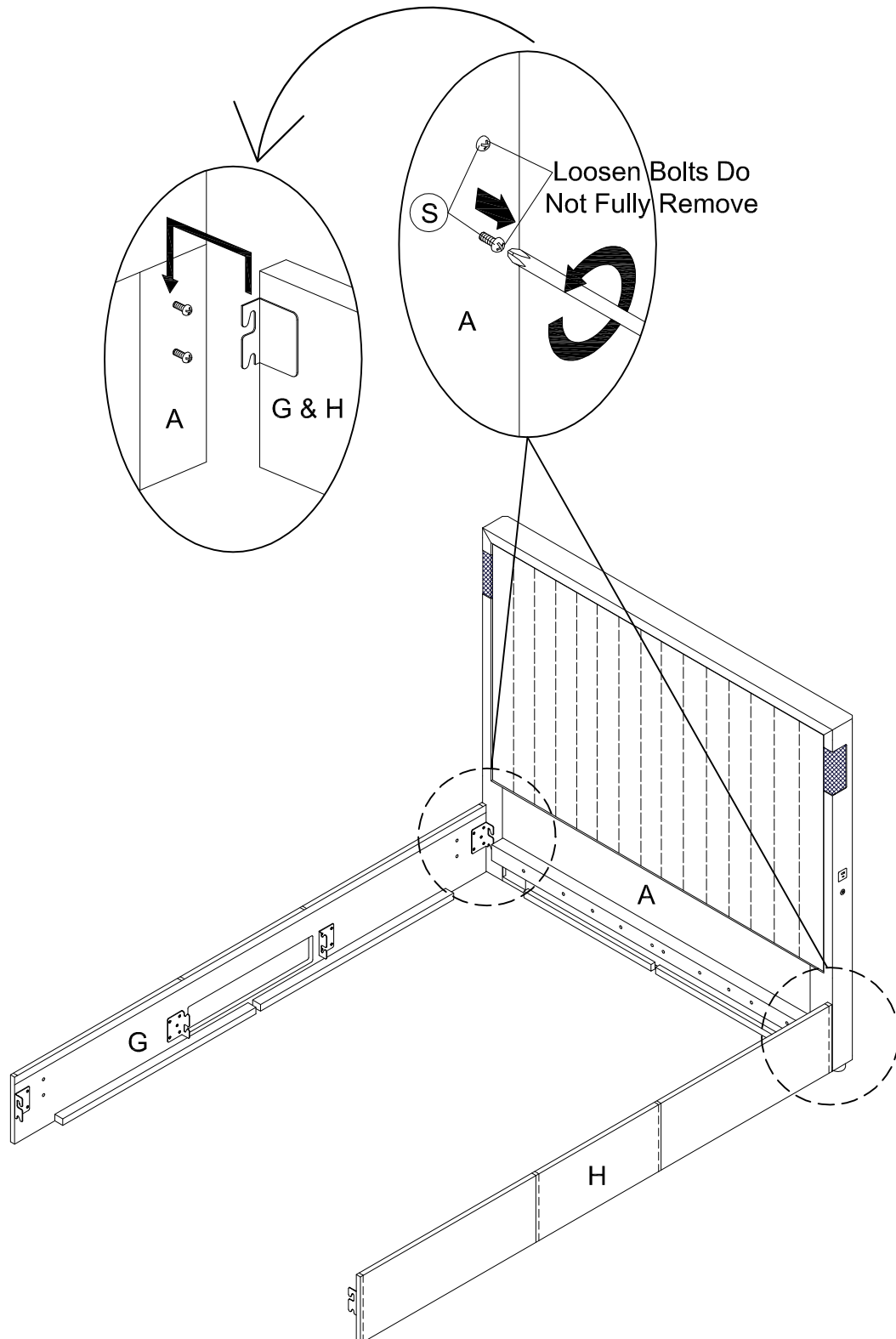
SUPPORT EMAIL: [support@bssbfurnitureinnovation.com](mailto:support@bssbfurnitureinnovation.com)

UK PRODUCT SUPPORT HOTLINE : 01462600064

Contact your retailer for all other issues such as damage, missing or faulty components ( non electrical ) or anything else of a non technical/electrical nature.

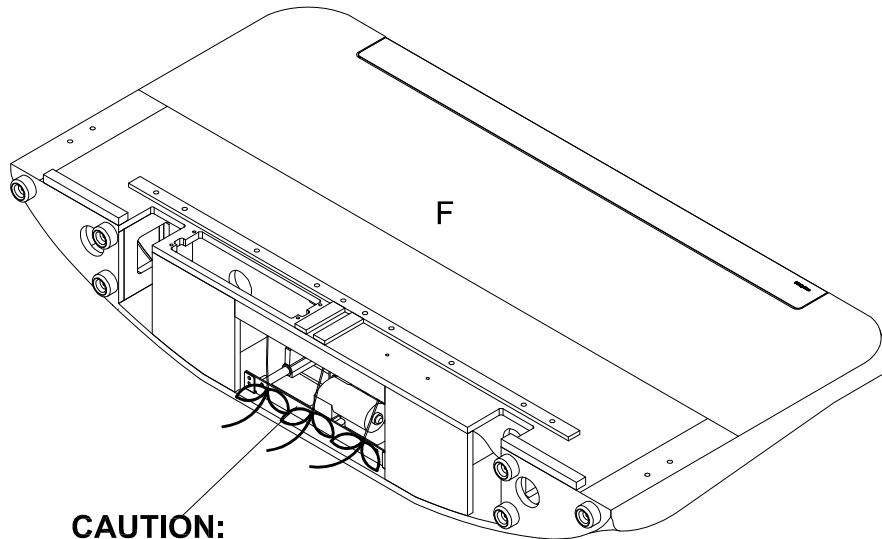
## Step 1

- Before assembly please decide which side you require the "DVD / Media Compartment " Part 'G' side rail with opening will need to be placed at that side.
- Loosen the bolts located in the head end. (Note: only loosen the bolts Do NOT remove them.)
- Hook the side rail over the bolts as shown.
- Repeat the action on the opposite side.



## Step 2

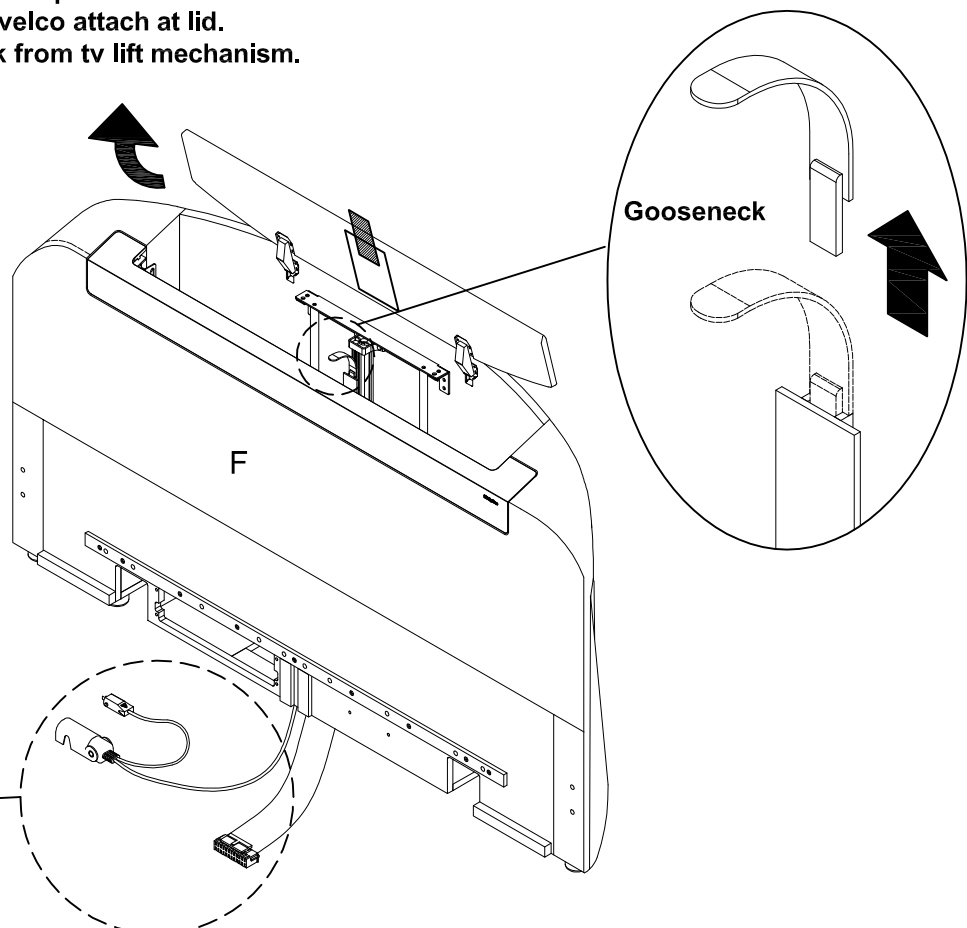
- Carefully remove the footboard from carton 2.
- To do this you will need to gently lay the foot end on it's back. Before doing so please ensure the area is completely free of anything that may cause damage or press into the fabric. Place a protective cover on the floor to avoid possible damage.
- The accessories box are held in place by string please carefully cut these.



**CAUTION:**  
PLEASE USE SCISSORS  
TO CUT THE THREE STRING.

## Step 3

- Carefully lift the foot end back to it's upright position.
- Make sure all the cable are pull out from bottom of foot end.
- Open the lid using the velco attach at lid.
- Remove the gooseneck from tv lift mechanism.

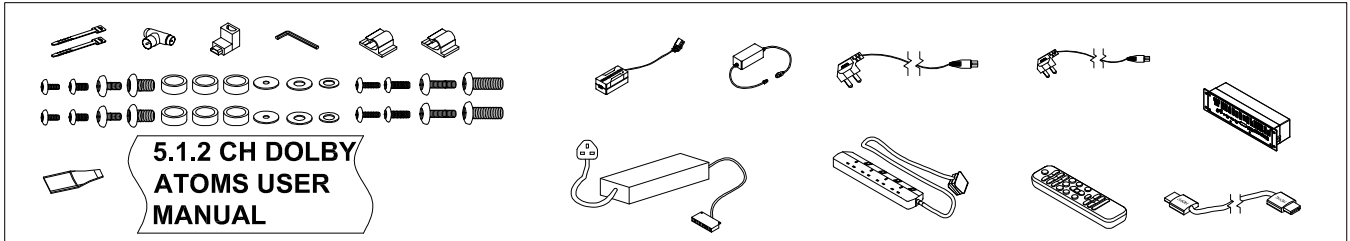


All cable must pull  
out from foot end.

## Step 4

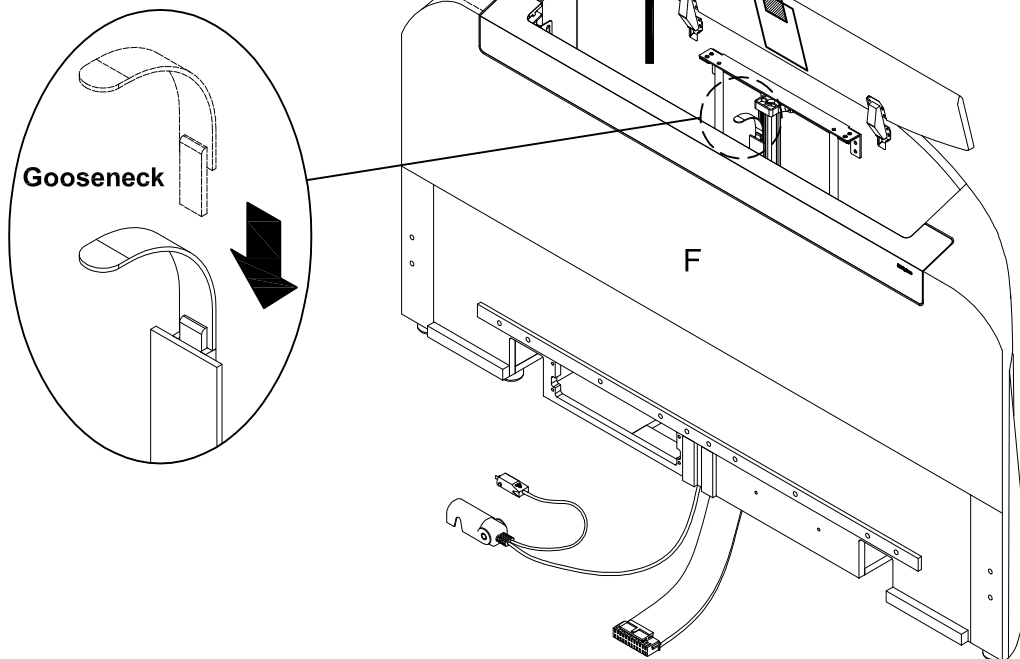
- Remove the Hardware Box from inside.
- Attach back the gooseneck to the tv mechanism.
- Remove the velcro from the lid.

### Hardware Box



**CAUTION:**  
TAKE CARE WHEN REMOVING  
THE ACCESSORY BOXES NOT  
TO CATCH YOUR HANDS ON  
THE SIDES.

Remove the velcro after take out the  
hardware box from foot end.



### ATTENTION! PLEASE NOTE:

In the event you are experiencing any technical difficulties and you require additional assistance/ support with your product 'Mechanical/ Electrical' function - Please visit:

SUPPORT EMAIL: [support@bssbfurnitureinnovation.com](mailto:support@bssbfurnitureinnovation.com)

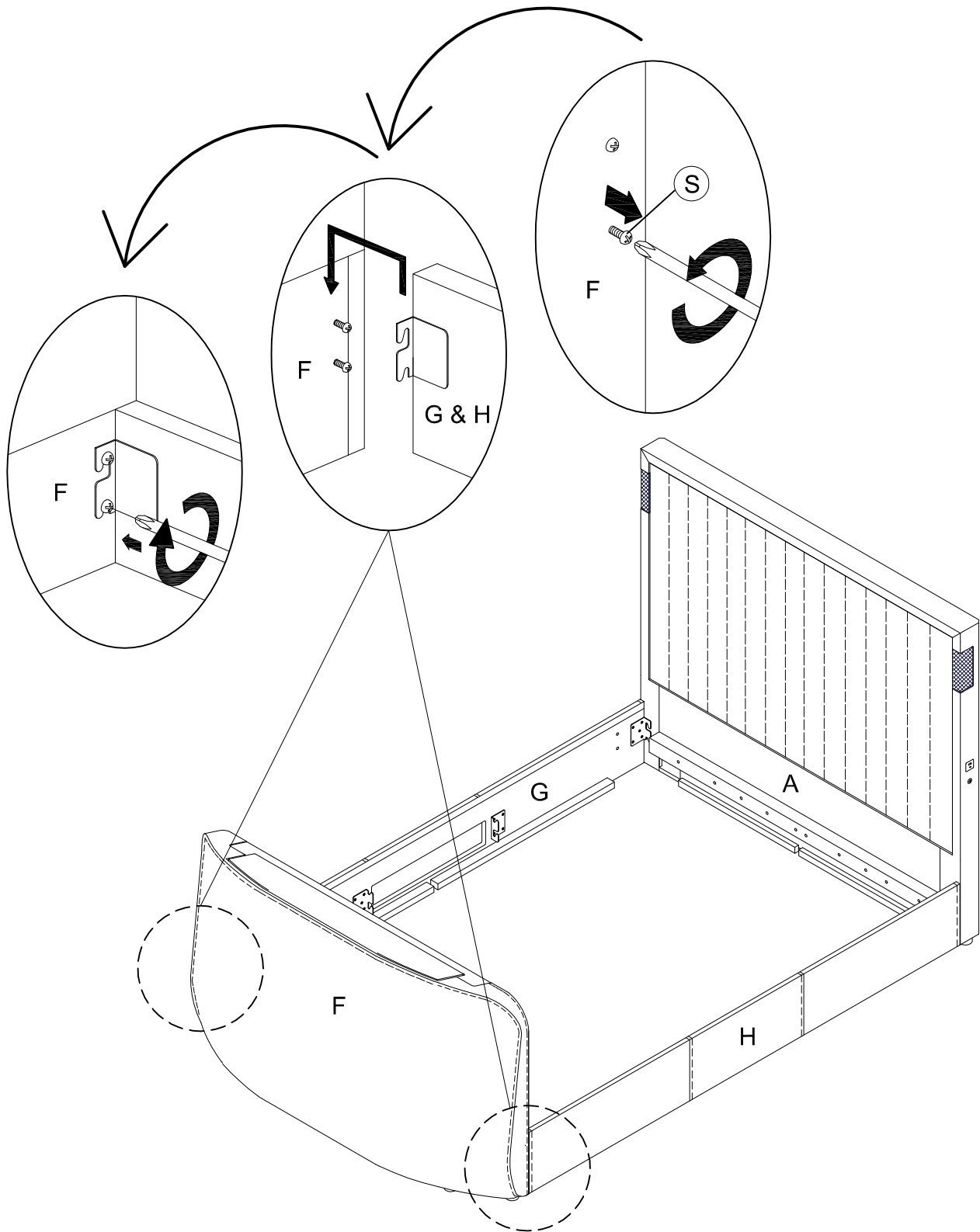
UK PRODUCT SUPPORT HOTLINE : 01462600064

Contact your retailer for all other issues such as damage, missing or faulty components ( non electrical ) or anything else of a non technical/electrical nature.



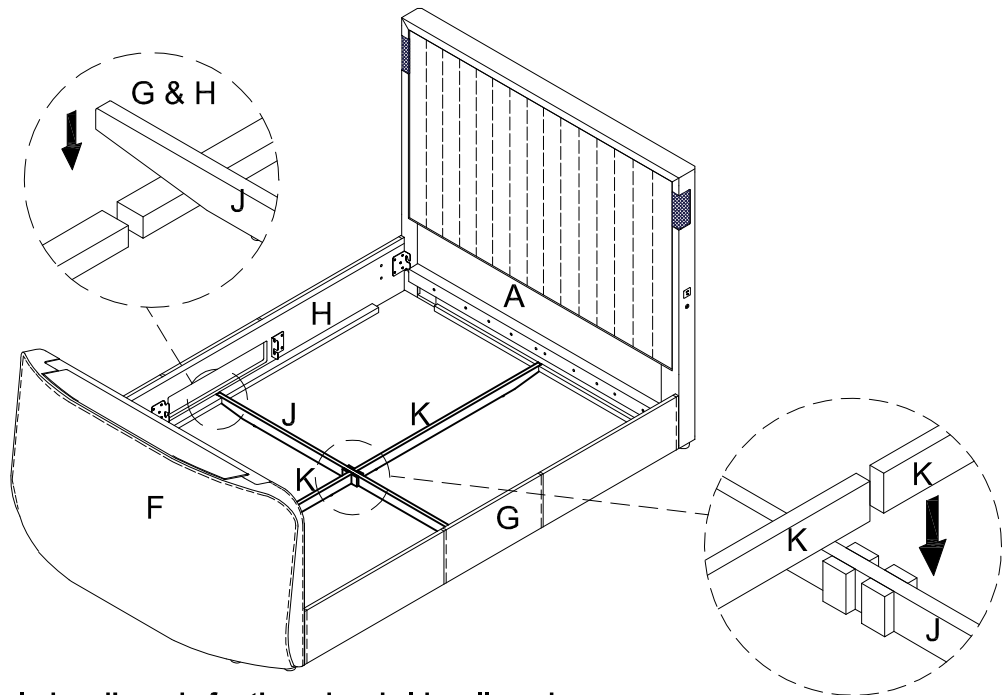
## Step 5

- Loosen the bolts located in the foot end.
- Please note these should only be loosened and **NOT** removed.
- Hook the side rail brackets over the bolts on both sides.
- Leave bolts finger tight (Do Not Tighten).



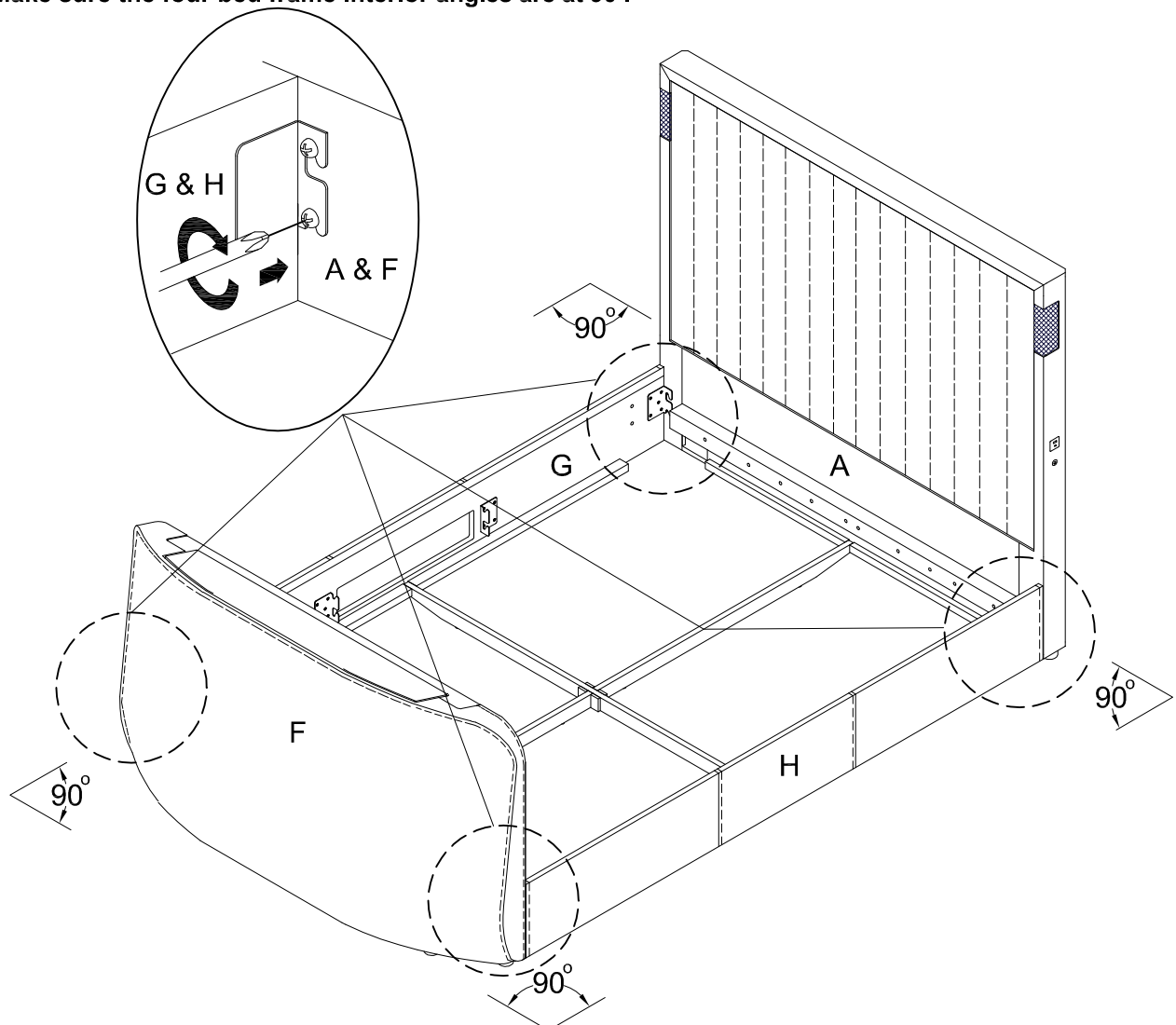
## Step 6

- Attach the bottom cross rail (Long) (J) & Bottom cross rail (Short) (K) to the headboard and side rail as shown. Being carefull not to catch the fabric.



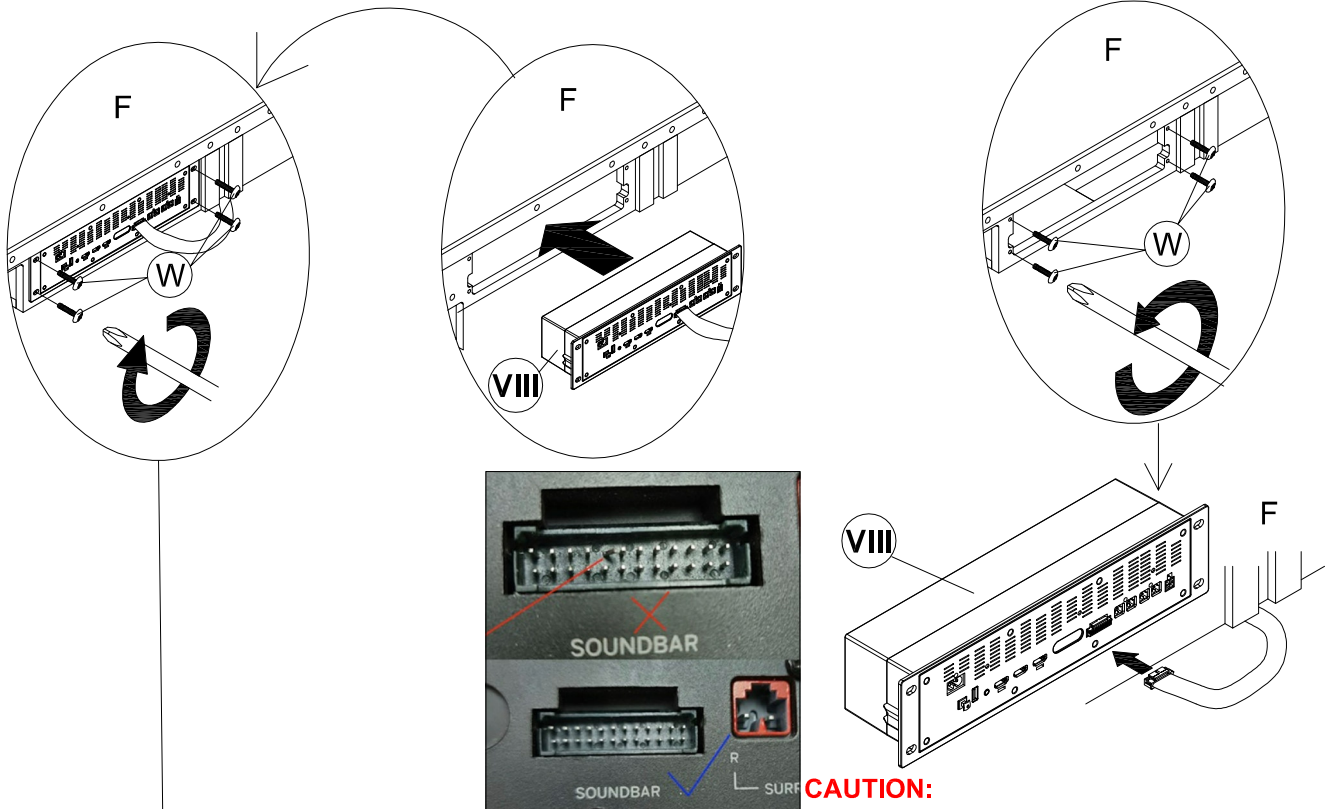
## Step 7

- Tighten all the bolts in headboard , footboard and side rail as shown.
- Make sure the four bed frame interior angles are at 90°.



## Step 8

- Remove the bolt (W) on foot end as shown.
- Connect the control cable - Sound bar to the Amplifier (VIII) as shown.
- Attach the amplifier (VIII) to the foot end.
- Then tighten the amplifier (VIII) with the bolt (W).
- For more detail information "Amplifier" please refer to [5.1.2 CH DOLBY ATMOS user manual \( pages 5\)](#).

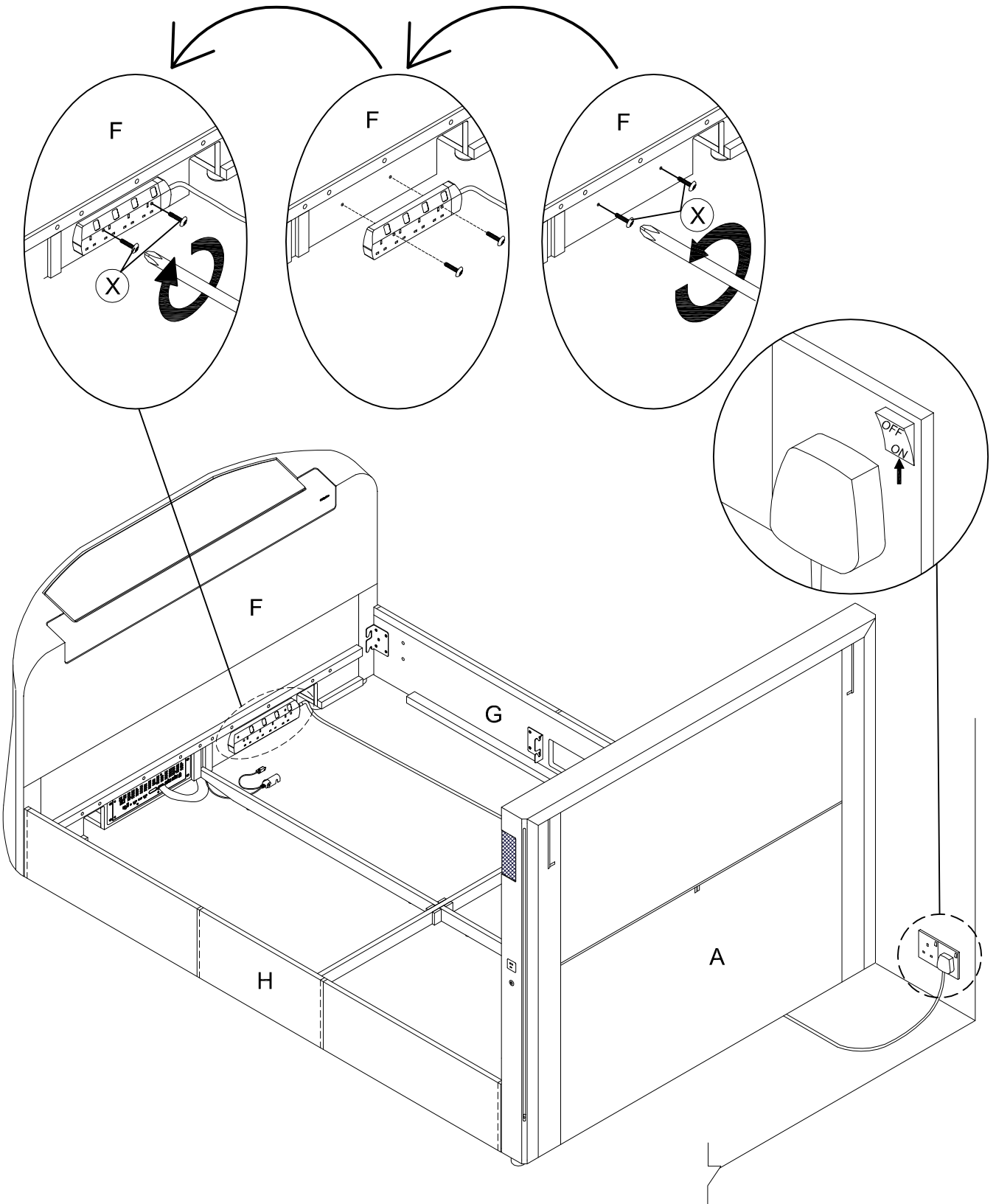


### CAUTION:

If the pins of the amplifier data connector are bent, it can affect the function of the amplifier and no display will illuminated. Bent pins can disrupt the proper connection between the amplifier and the sound bar, leading loss of signal transmission and display. It is important to ensure that the pins are straight and properly aligned for amplifier to function correctly.

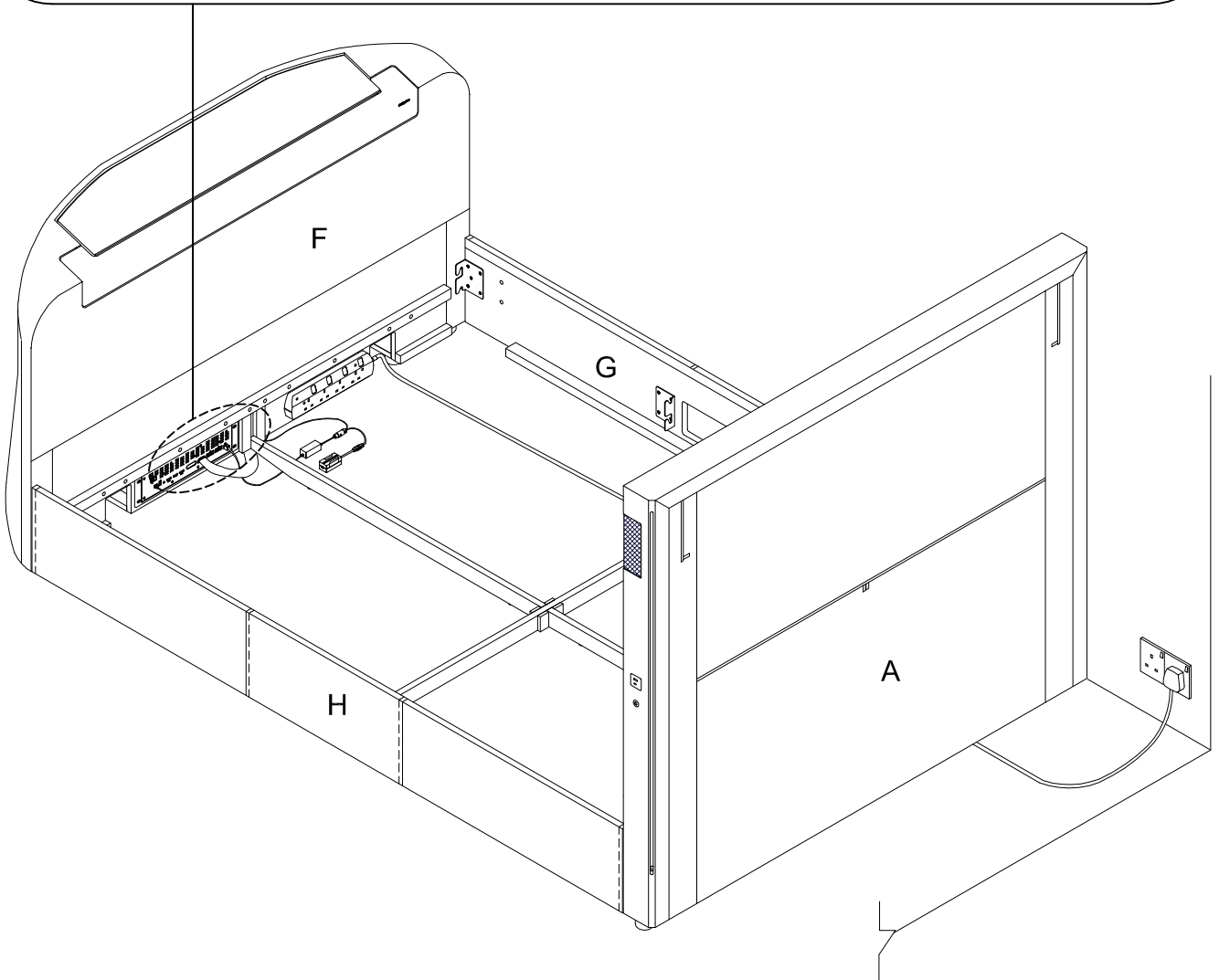
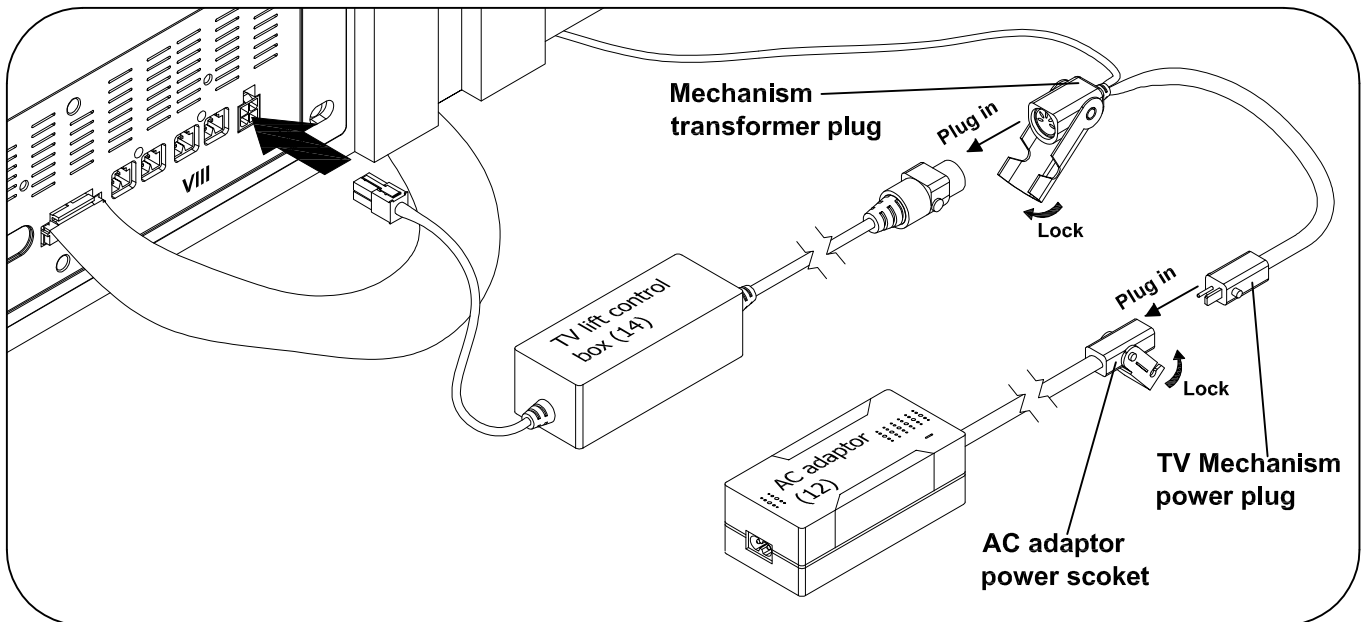
## Step 9

- Remove the bolt (X) on foot end as shown.
- Attach the extension power socket to the foot end.
- Then tighten the extension power socket with the bolt (X).
- Connect the extension power socket cable to a working mains power supply.
- Switch on the mains power supply.



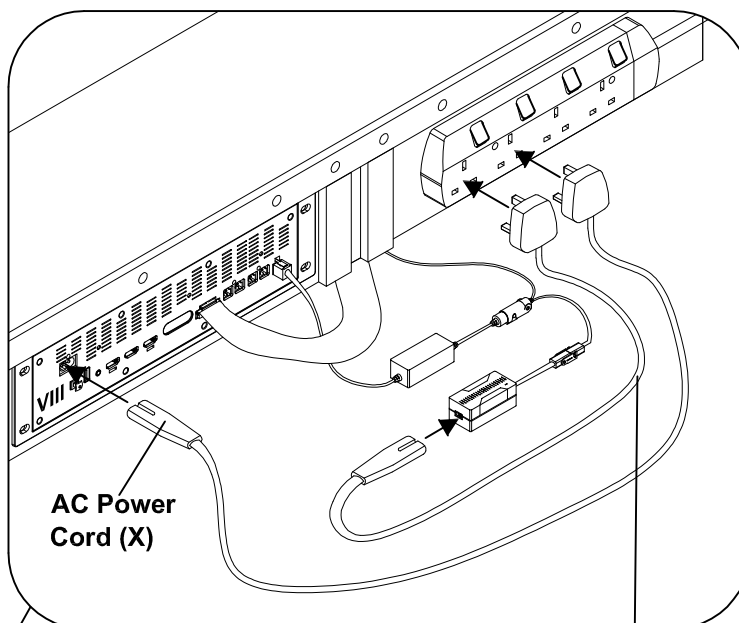
## Step 10

- Connecting the cable as shown. Failure to do so may result in damage to your product.
- Connect the TV lift control box socket (14) to the Amplifier (VIII) and the Mechanism transformer plug.
- Connect the AC adaptor power socket (12) to TV mechanism power plug.

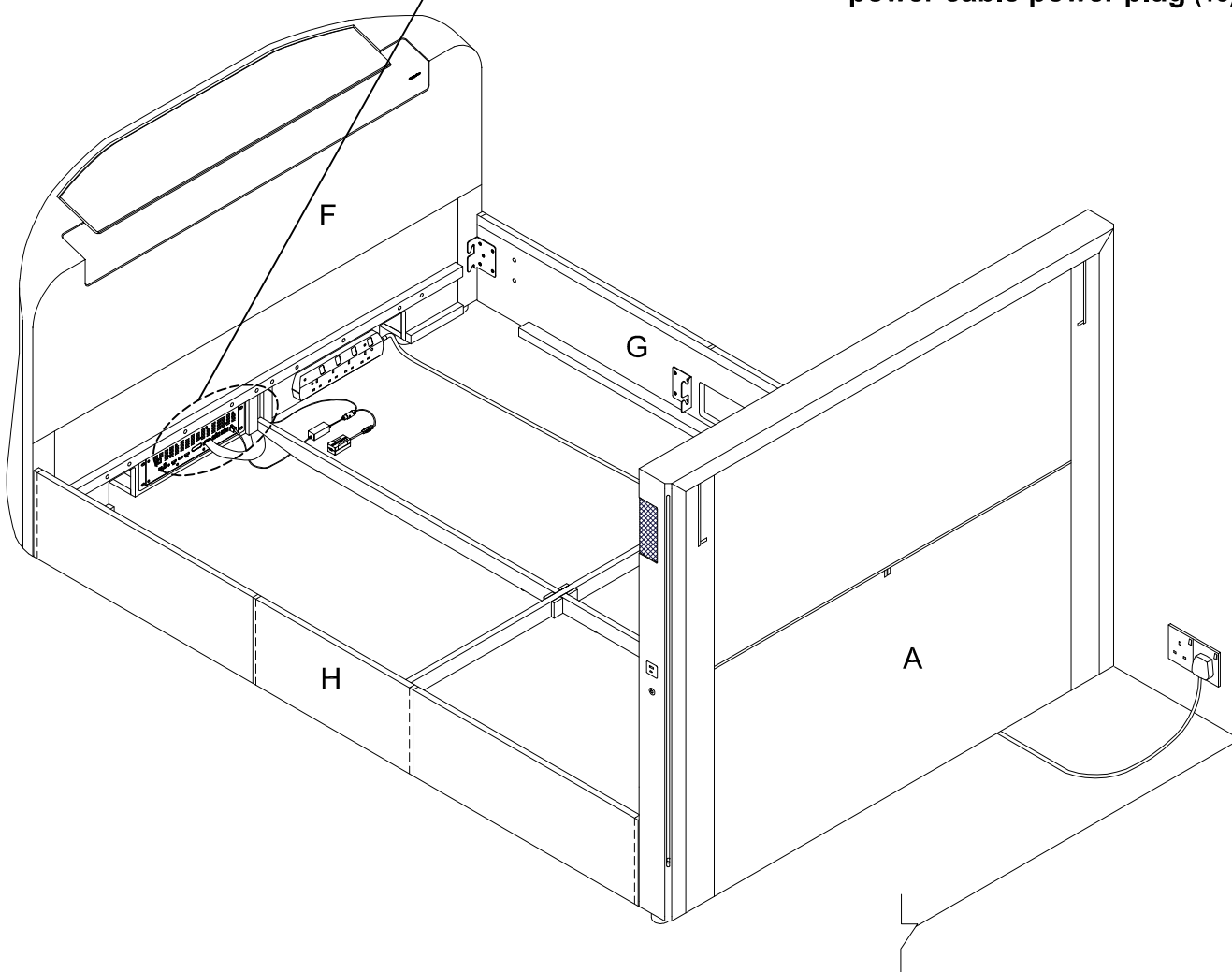


## Step 11

- Connecting the AC power cord (X) to the Amplifier (VIII) and the extension power socket.
- Connecting the TV lift up mechanism AC/ power cable power plug (13) to AC adapter (12) and the extension power socket.

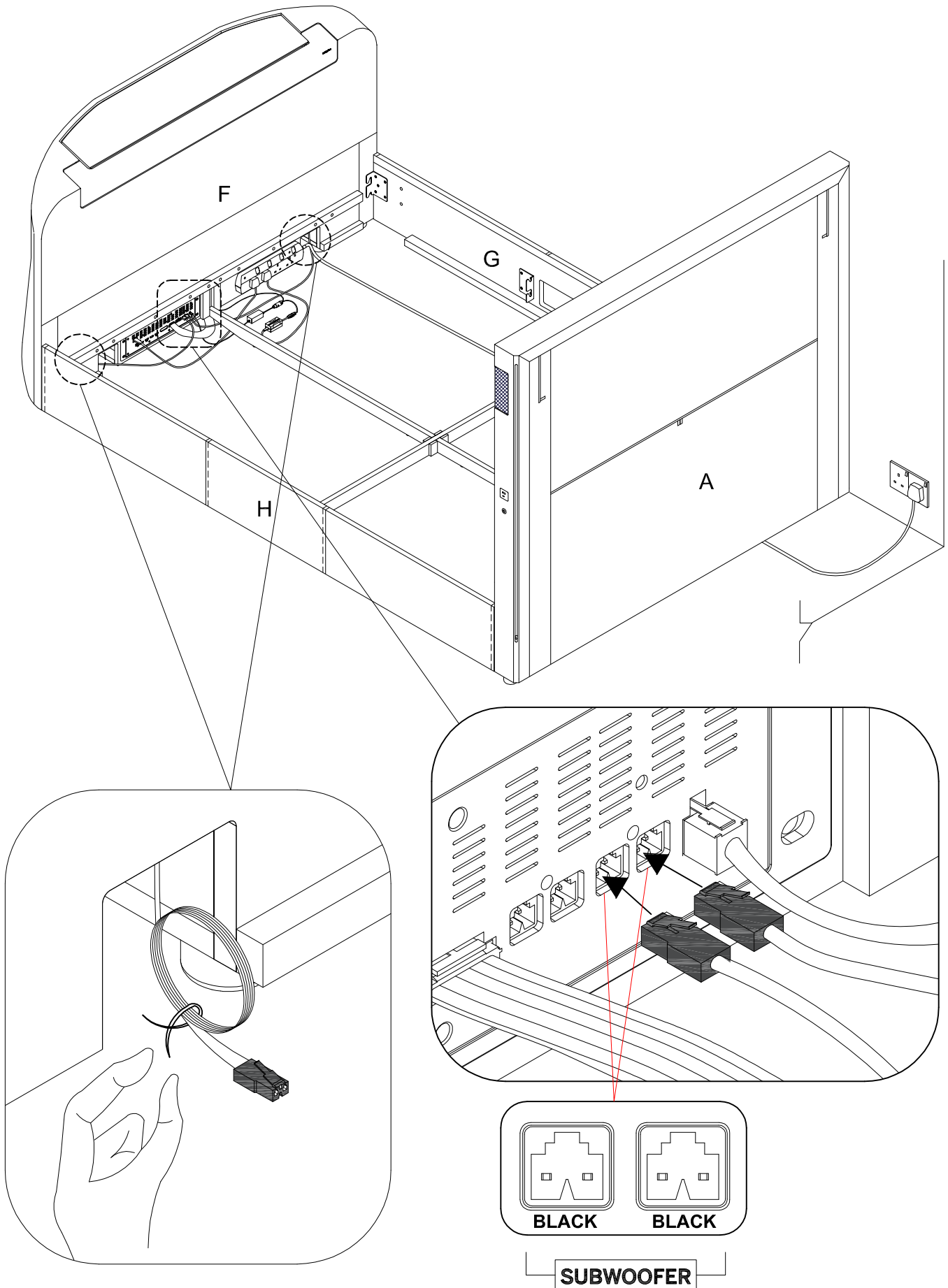


TV lift up mechanism AC/  
power cable power plug (13)



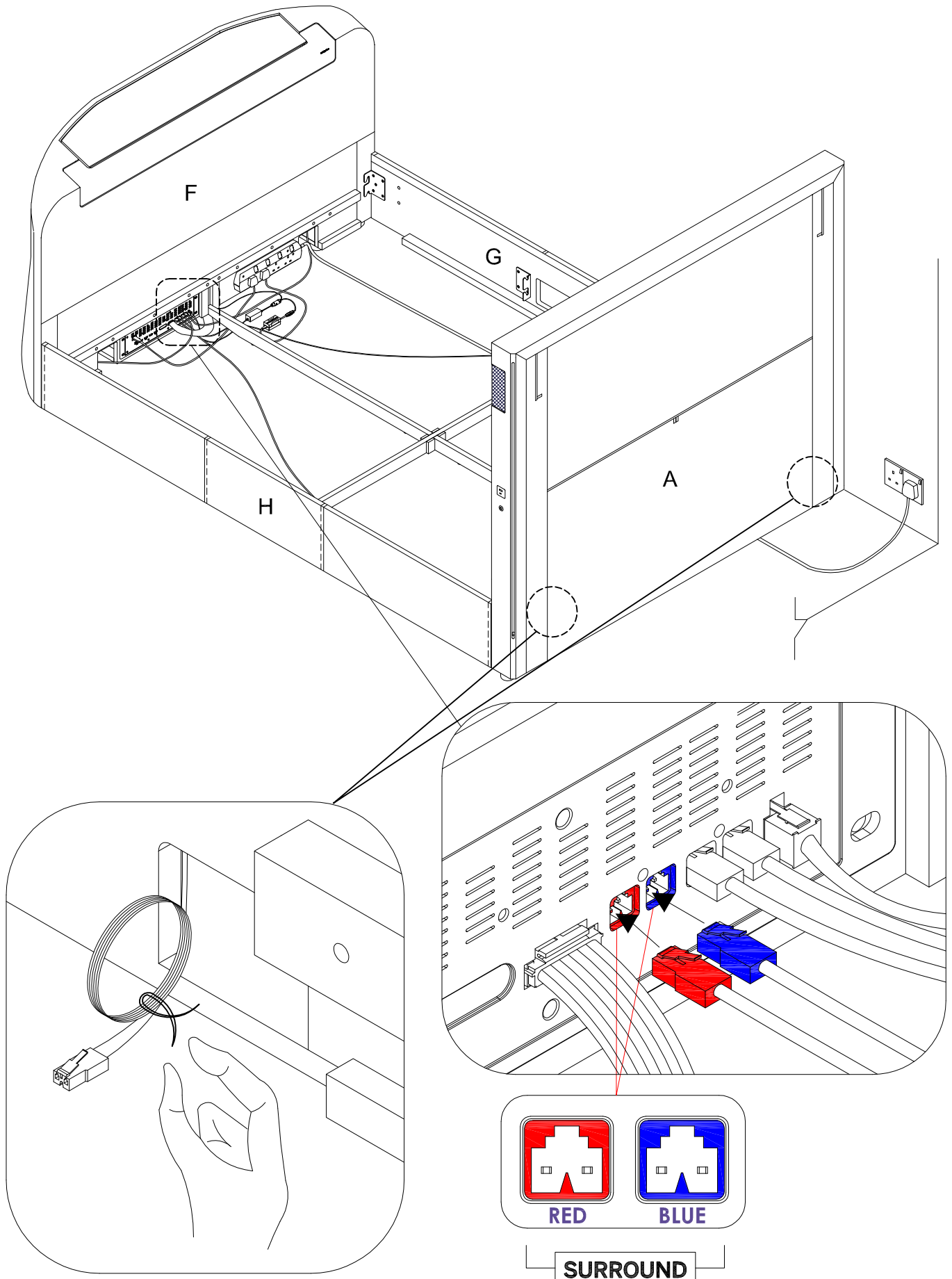
## Step 12

- Untie the subwoofer cable located in the foot end cable holes.
- Connect the subwoofer cable to the Amplifier (VIII) as shown.



## Step 13

- Untie the surround speaker cable located in the head end cable holes.
- Connect the surround speaker cable to the Amplifier (VIII) follow the color mark as shown.

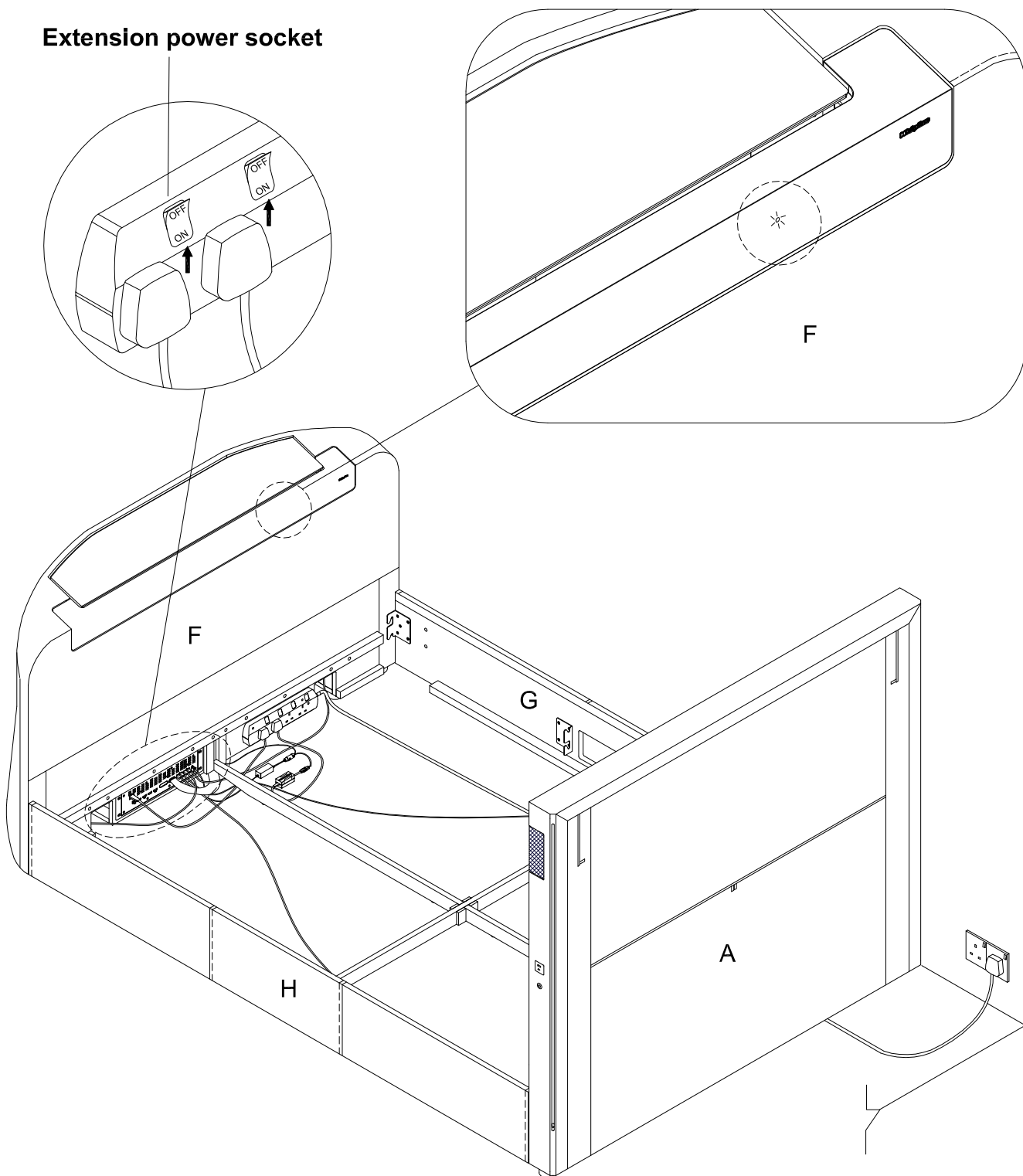




## Step 14

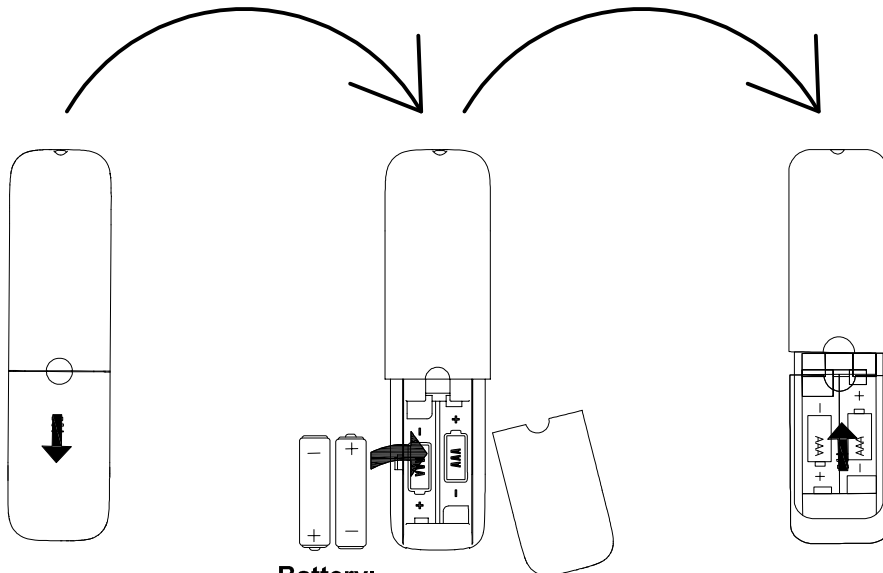
- Switch on the extension power socket, the indicator power on "dot light" will appear on the sound bar (as shown).

Extension power socket



## Step 15

- Unpack the remote control & battery from pack.
- Turn around the remote control, then press and slide the back cover to open the battery compartment of the remote control.
- Insert two AAA size batteries. Make sure the (+) and (-) terminals of the batteries match the (+) and (-) terminals indicated in the battery compartment.
- Slide up to close the battery compartment cover.

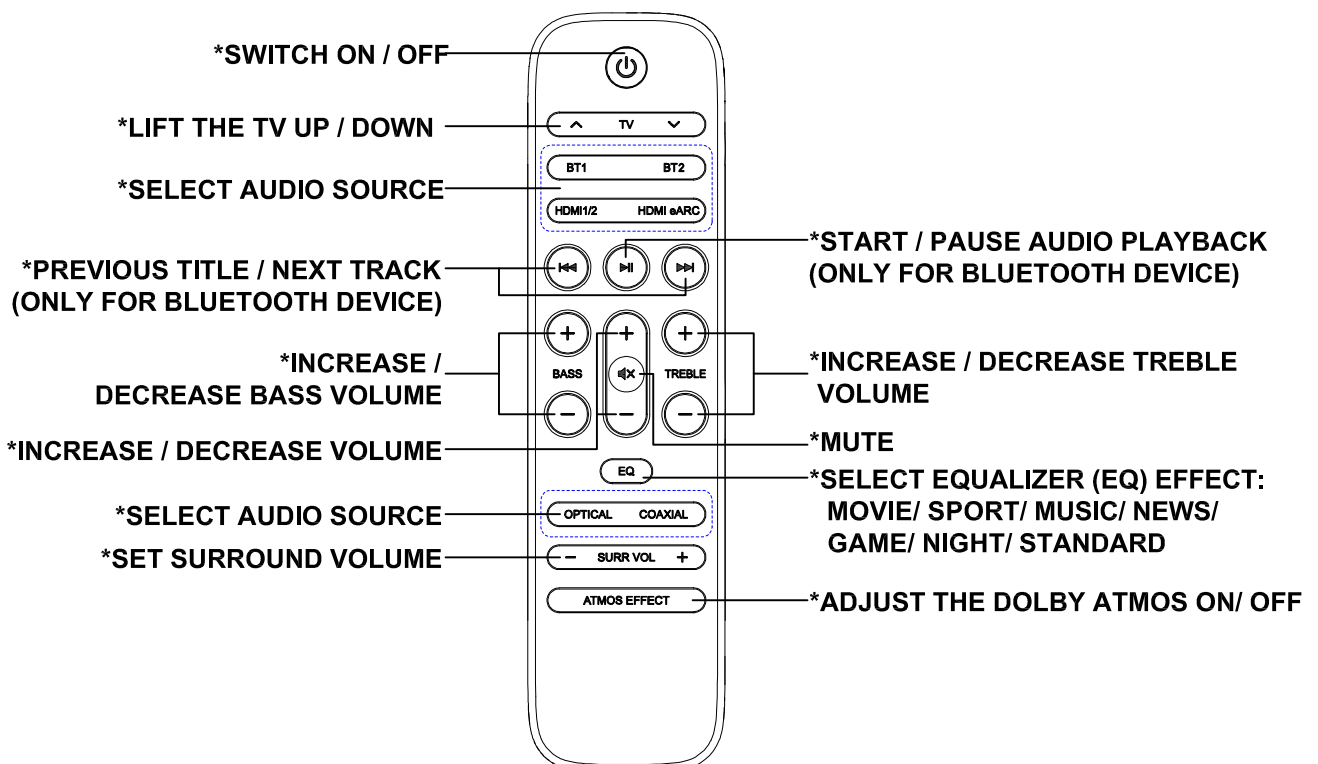


### Battery:

Size: AAA - Ø10.5 X T44.5mm  
Spec.: 1.5V

## Step 16

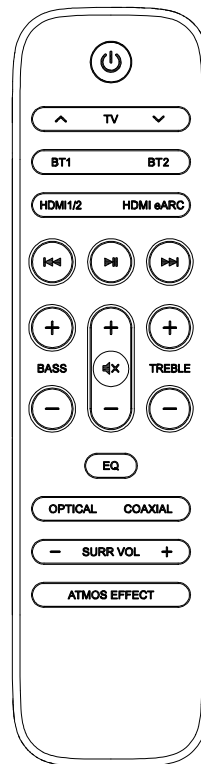
- Remote control.
- For more detail information "Remote Control" please refer to [5.1.2 CH DOLBY ATMOS user manual \( pages 6\)](#).



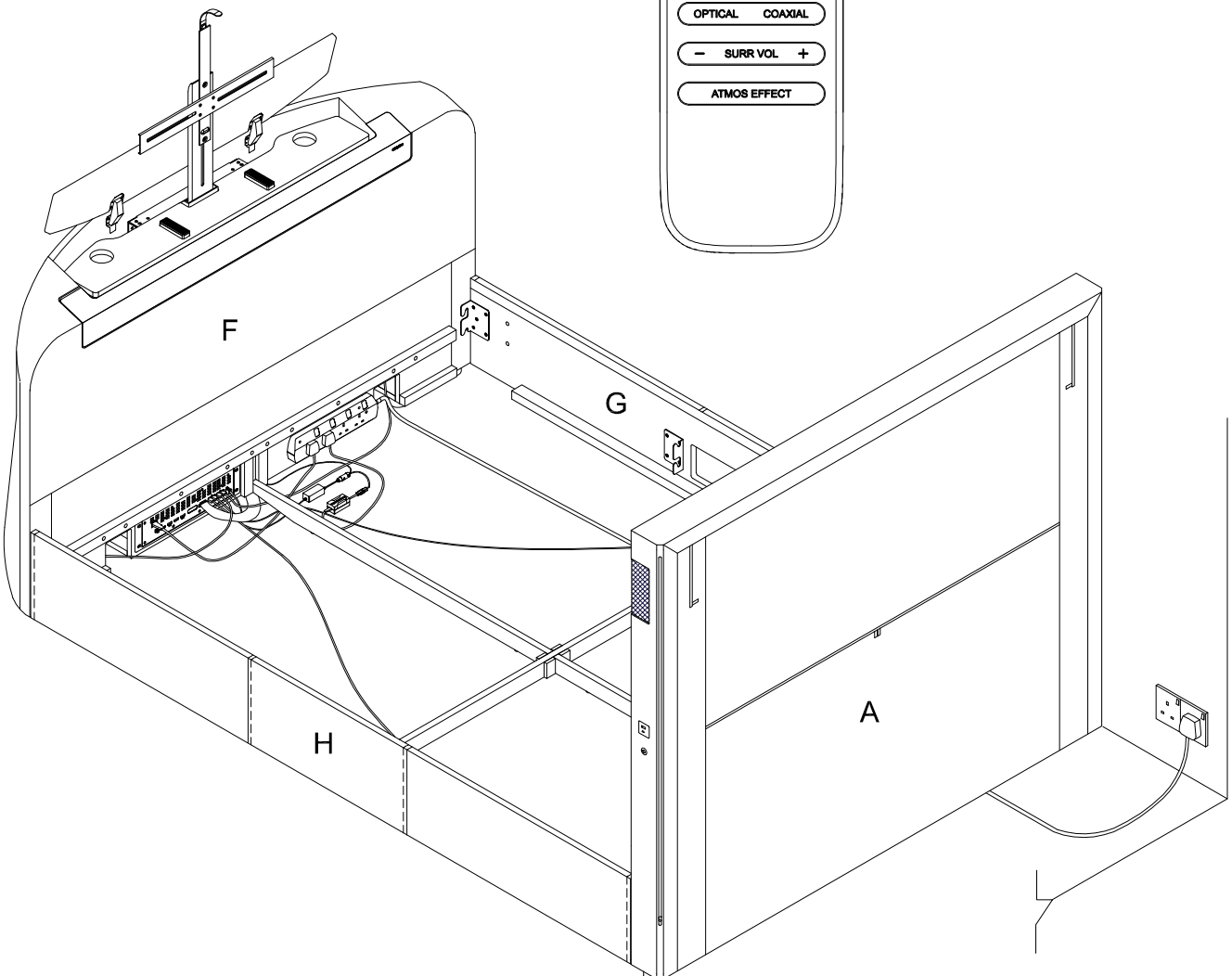
## Step 17

- Press the switch on / off to on the remote control.
- Press and release "UP" button on the remote control, which will then raise the TV lift mechanism. The footboard lid will open to its full extent. Press and release the "DOWN" button to lower the TV mechanism.
- **NOTE : WHEN OPERATING THE UP / DOWN FUNCTION OF THE TV LIFT MECHANISM ALWAYS ENSURE HANDS ARE AWAY FROM THE INNER EDGE OF THE FOOTBOARD.**
- If the "Remote control" does not operate the TV mechanism, please refer to 5.1.2 CH DOLBY ATMOS user manual ( pages 13) (TROUBLE SHOOTING).

### Remote Control



Always use the remote control to switch off the audio system before you "turn off the main power supply".



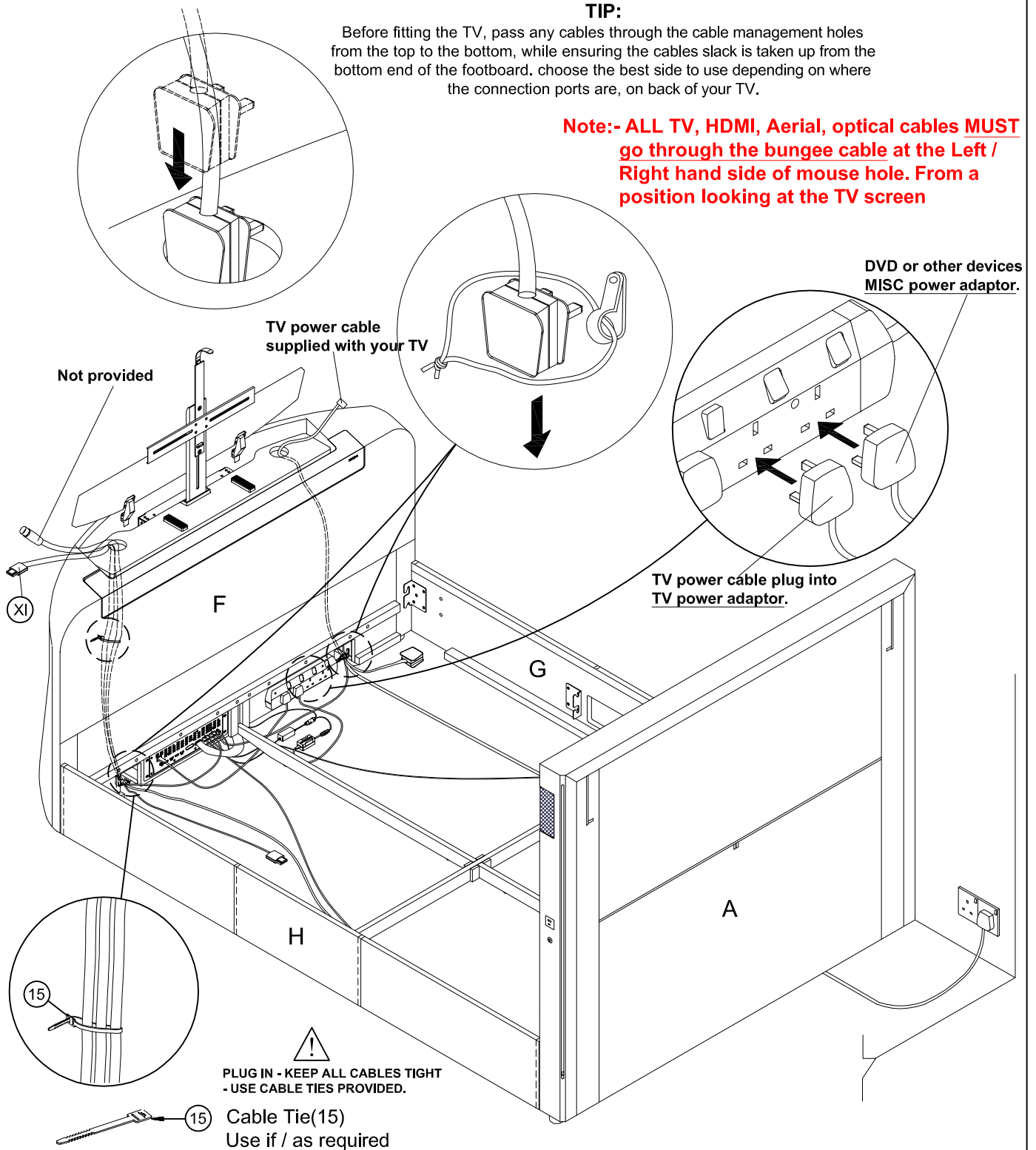
## Step 18

- **Cable connection plan. Make sure you have all the relevant cable connections required (HDMI cable, TV Aerial cable, TV power cable, Optical cable etc...) before you install the TV.**
- **The cable management holes are to help you to manage the cable and keep them tidy and free from snags. Pass all cables cleanly through these holes. While ensuring any cable slack is taken up from the bottom end of the footboard.**

### TIP:

Before fitting the TV, pass any cables through the cable management holes from the top to the bottom, while ensuring the cables slack is taken up from the bottom end of the footboard. choose the best side to use depending on where the connection ports are, on back of your TV.

**Note:- ALL TV, HDMI, Aerial, optical cables MUST go through the bungee cable at the Left / Right hand side of mouse hole. From a position looking at the TV screen**



Place all cables through the 'Cable Management' holes to prevent any damage to the cable when the TV Lift Mechanism is operating. Make sure all your the cables are long enough to let the TV Lift Mechanism move freely.

All the cables MUST be carefully pulled and fully extended.

Group the cables together as required below the TV Tray using cable tie(15) provided.

## Step 19

- Adjust the TV tray to suit the height of your TV (without stand). Please follow below steps.

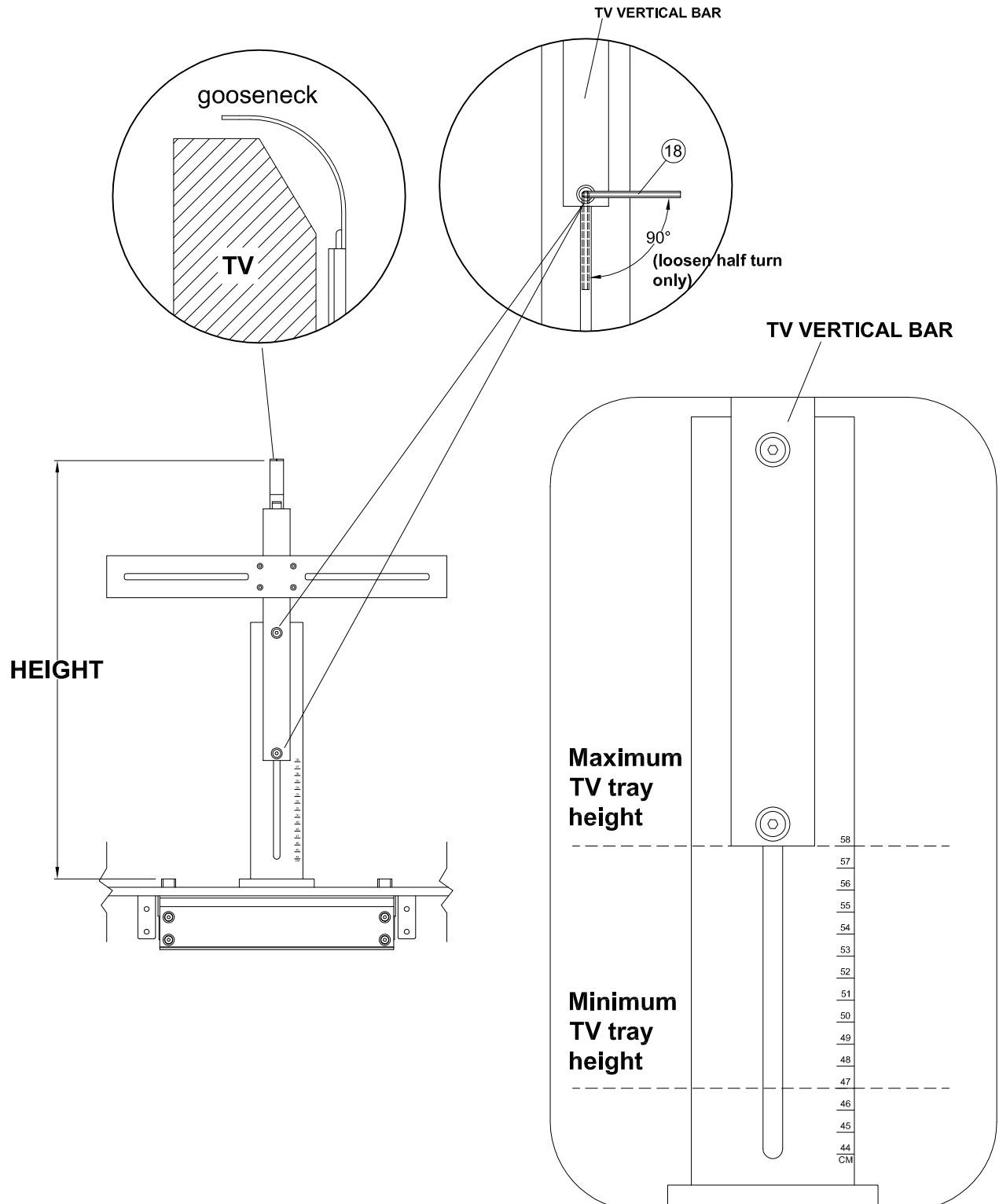
19.1 : Make a note of the height (without stand!) of your television.

19.2 : Use the Allen key (18) to 'slightly' loosen the bolts-'half turn only', do not fully unscrew.  
(Please refer diagram below)

19.3 : Slide "UP/ Down the TV vertical bar to using the measure line to match the noted height of your TV.  
Then fully tighten the bolts.

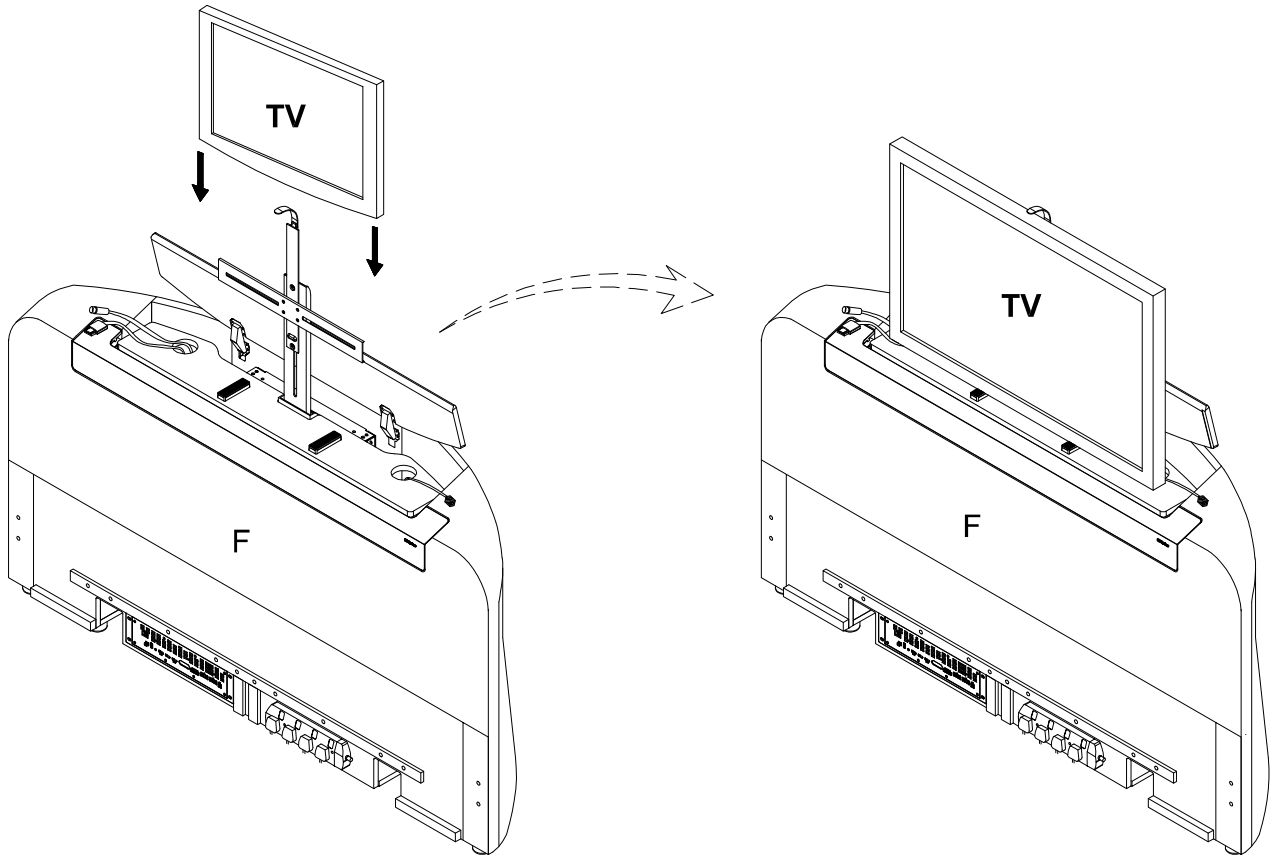
19.4 : When the TV is mounted it should sit neatly just underneath the Gooseneck.

**Note:** The minimum height of the TV Tray is 470mm. If the TV height measures less than 470 mm (without stand) the TV will not fit to the mechanism.



## Step 20

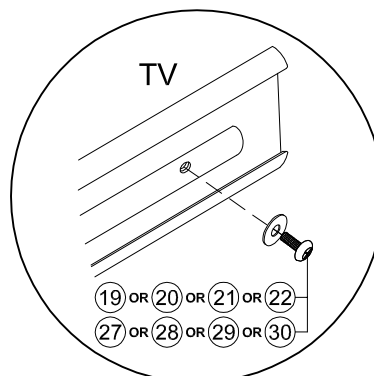
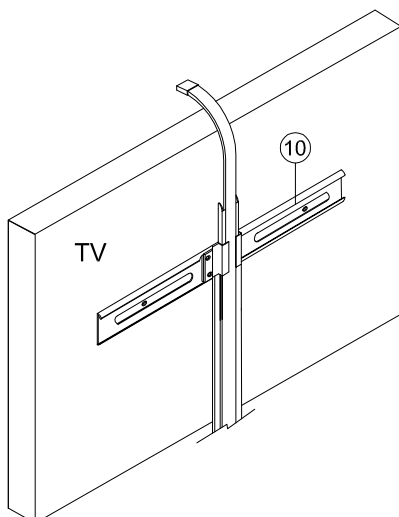
- You are now ready to install your TV.
- Raise the mechanism to it's highest position.
- While standing behind your television (on the outside end of the footboard).
- Carefully place the TV on top of the two rubber TV mounting pedestals - ensuring the Gooseneck arm is perfectly in line with the horizontal 'centre' of the TV.



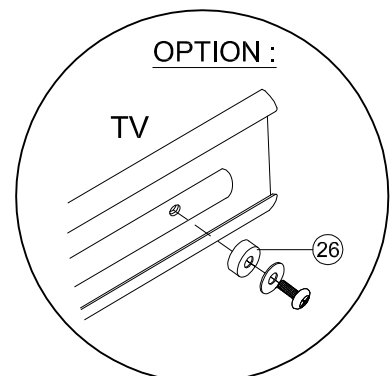
## Step 21

- TV Bracket

Please note : Item (19) or (20) or (21) or (22) or (27) or (28) or (29) or (30) screws have been supplied to fit most TV models. However sizes may vary depending on the TV model. If smaller or larger size screws are required these should be source from your local hardware store or TV specialist. Washers may also be required. Your retailer may also supply alternative fixings depending on the TV model supplied at the time.



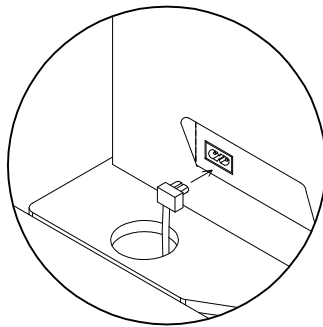
BOLT 19 20 21 22  
 BOLT 27 28 29 30  
 WITH  
 WASHER 23 23 24 25



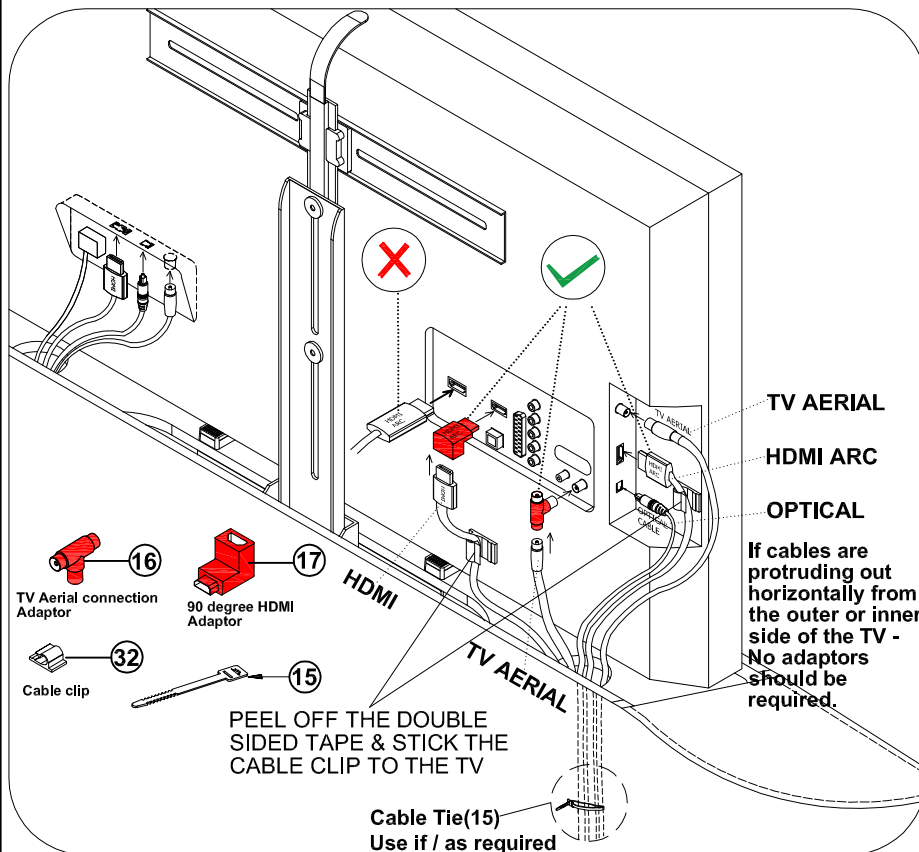
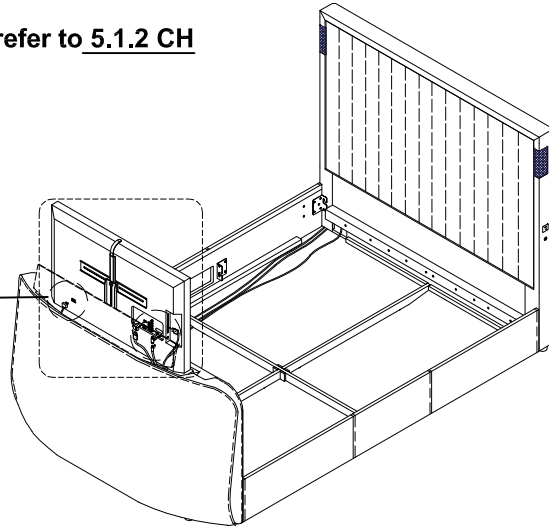
In the event you find the screws are too long for the TV with bracket please use Plastic collar (26) if required.

## Step 22

- Install all the cable connection to the TV.
- For more detail information "Connection" please refer to 5.1.2 CH DOLBY ATMOS user manual ( pages 8~9).

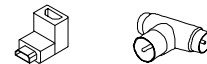


**Note: For illustration purposes only, TV connections may vary.**



**Attention Please Note : Connecting Your HDMI ARC or Aerial Cable as shown in diagram (X) can seriously Damage Your TV sockets.**

To reduce this possibility we have supplied 90 degree adaptors for both HDMI and Aerial connections.



This will reduce the cable protrusion and lessen the possibility of the cable colliding with the bed frame.

**These can be found in the bed frame hardware pack located in Box 2 (foot end).** Please refer to the diagram above for the correct fitting of cables. More detailed information can also be found on page 20 (step 18) of your assembly instructions.

**The manufacturer or retailer will not accept responsibility for any damages arising from incorrect installation.**

### NOTE

The audio user manual is available and has been included inside the accessories box. This is importance of providing clear instructions and the audio user manual has been designed to assist users in understanding the features and functionalities of our product. It contains detailed information on how to set up, operate, and troubleshoot any potential issues that may arise.

We highly recommend that you familiarize yourself with the contents of the audio user manual before using the product. It will ensure a seamless and enjoyable experience, while also addressing any queries or concerns that you may have.

### CAUTION

If you are using a USB storage device in the TV USB port. It may cause unexplained issues with the TV bed media system . Please unplug the USB storage device when not in use.

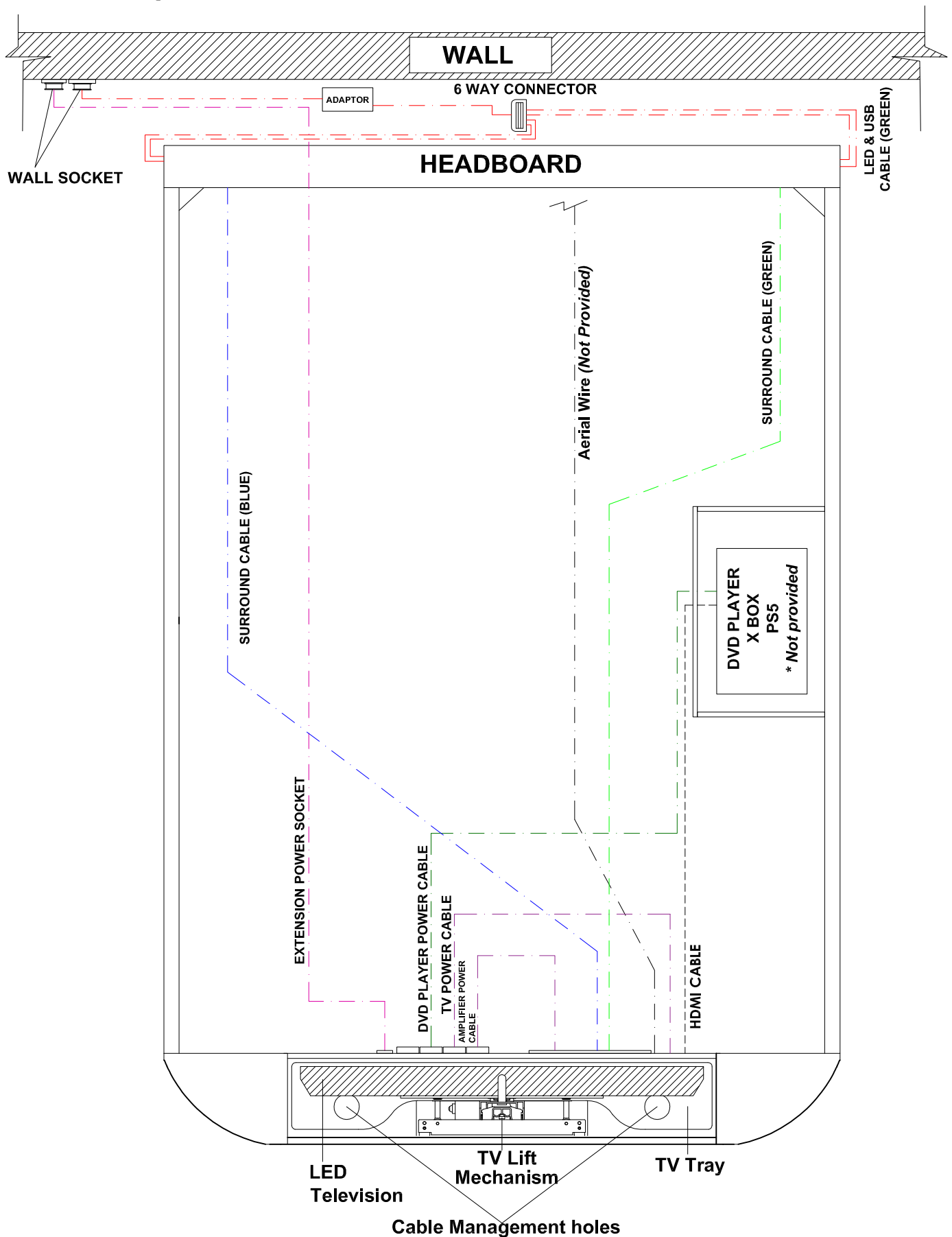
### PLEASE NOTE.

If you are using TV's which are not listed as compatible in your user instructions, Unusual scenario's may arise with the CEC connection system on your tv.

**NOTE: The cables port for television, DVD, TV aerial etc may not be the same as shown above and vary depending on TV model.**

## Step 23

- Detail Wiring Connection Plan.

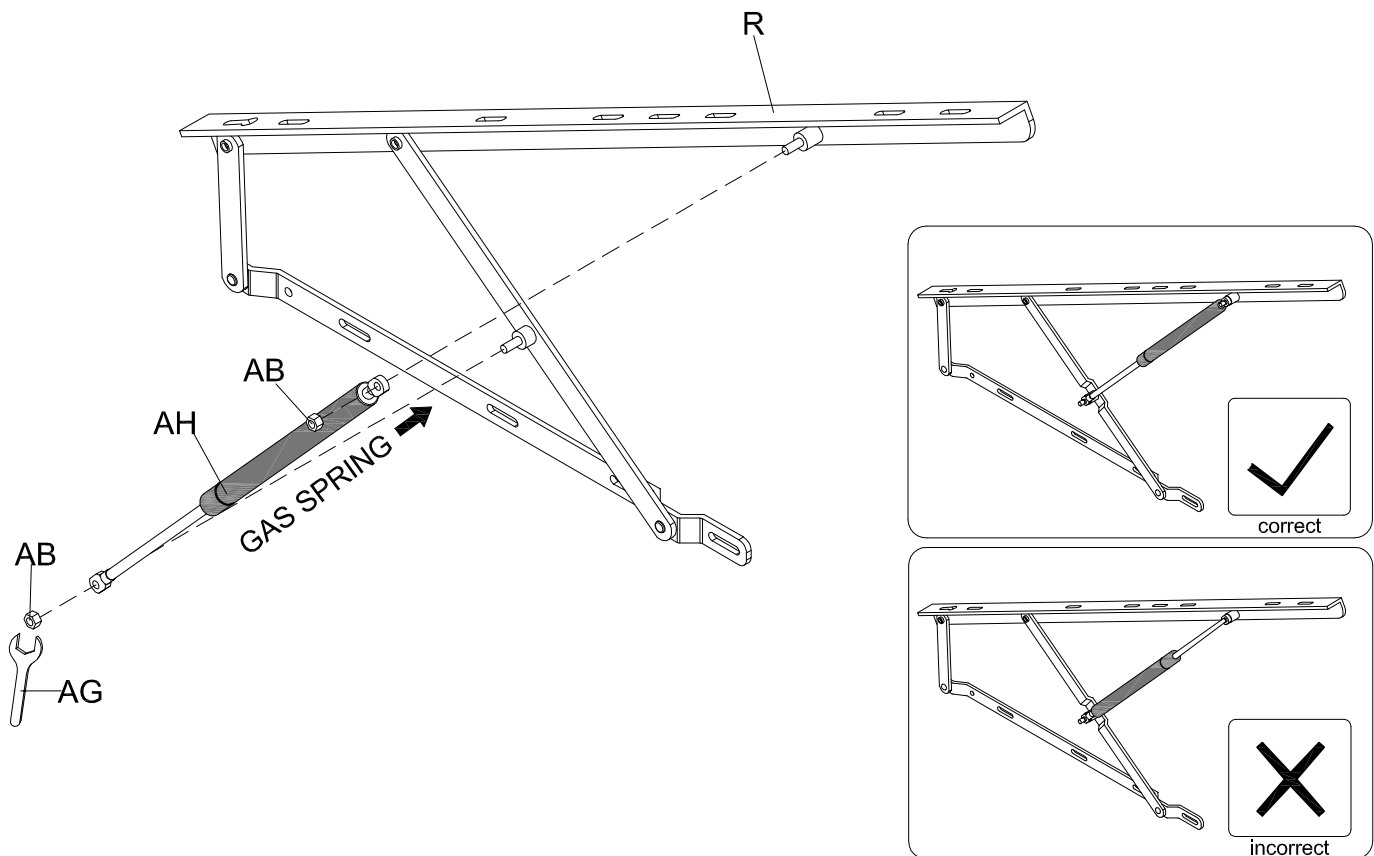
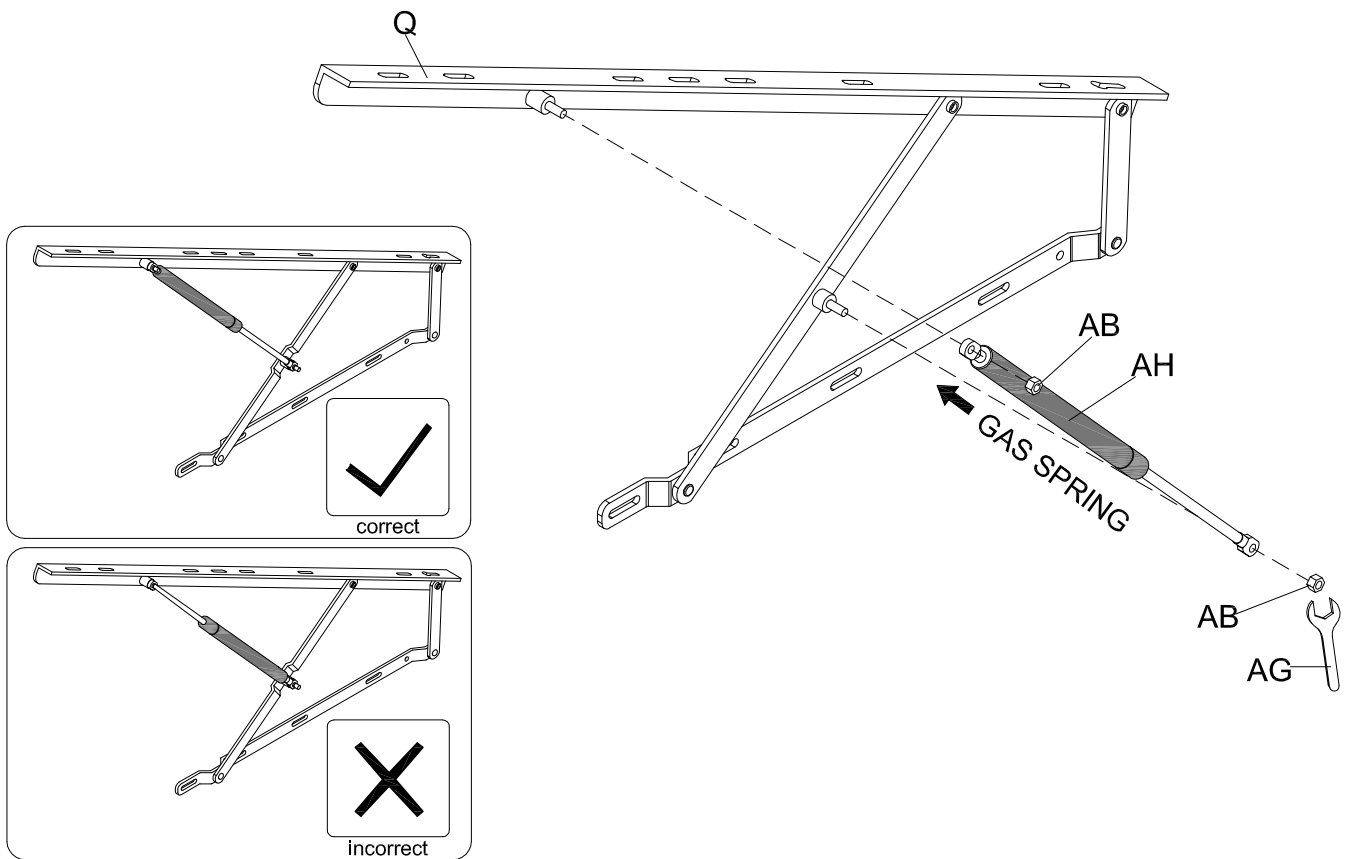


\* The TV cable main supply can be put on either the left or right side depending on the TV port location. DO NOT PASS ANY CABLES ACROSS THE BACK OF THE MECHANISM.



## Step 24

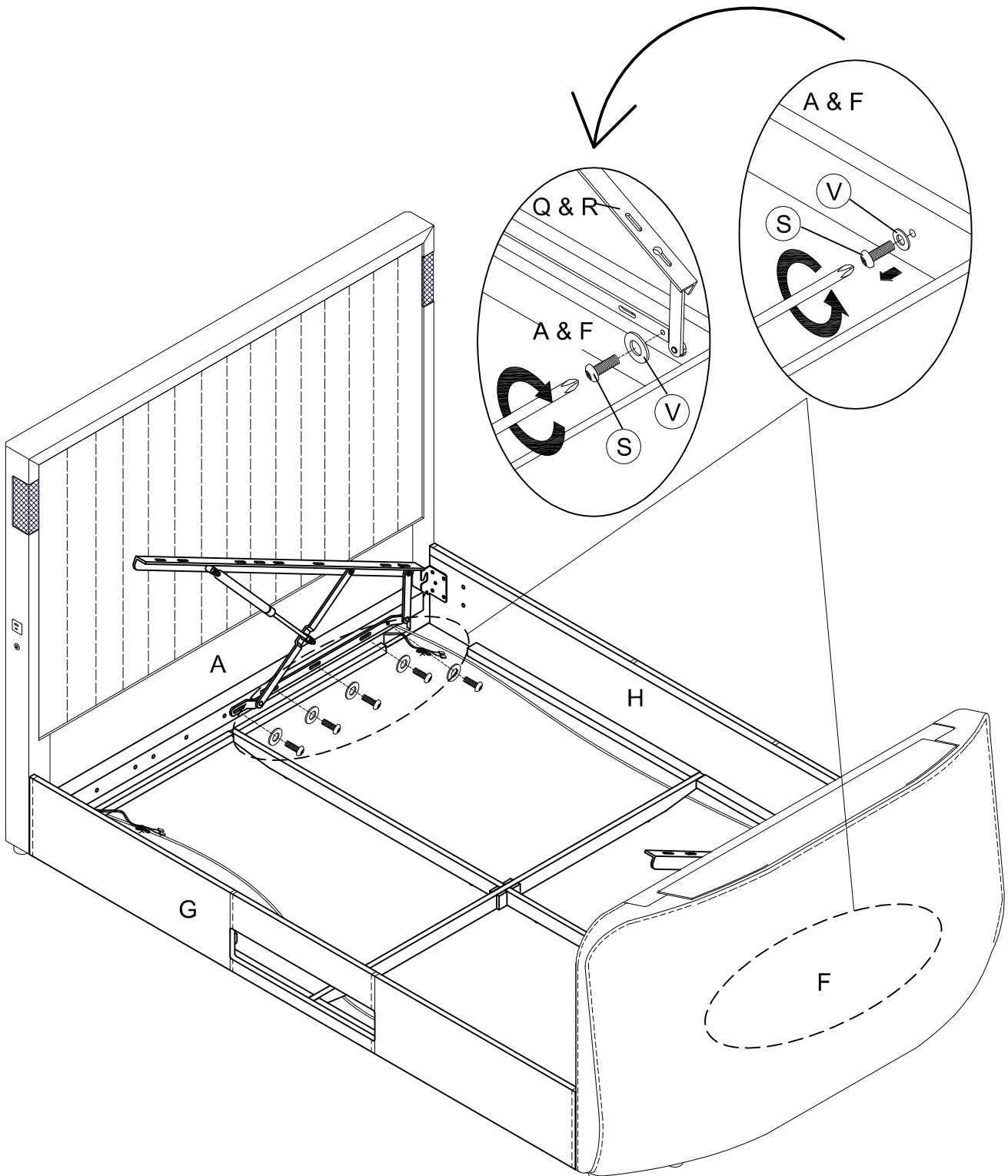
- Attach the gas springs 'AH' to the lift up mechanism with nut 'AB' using spanner 'AG' as shown.



**Fully tighten all nuts after attaching the pistons.**

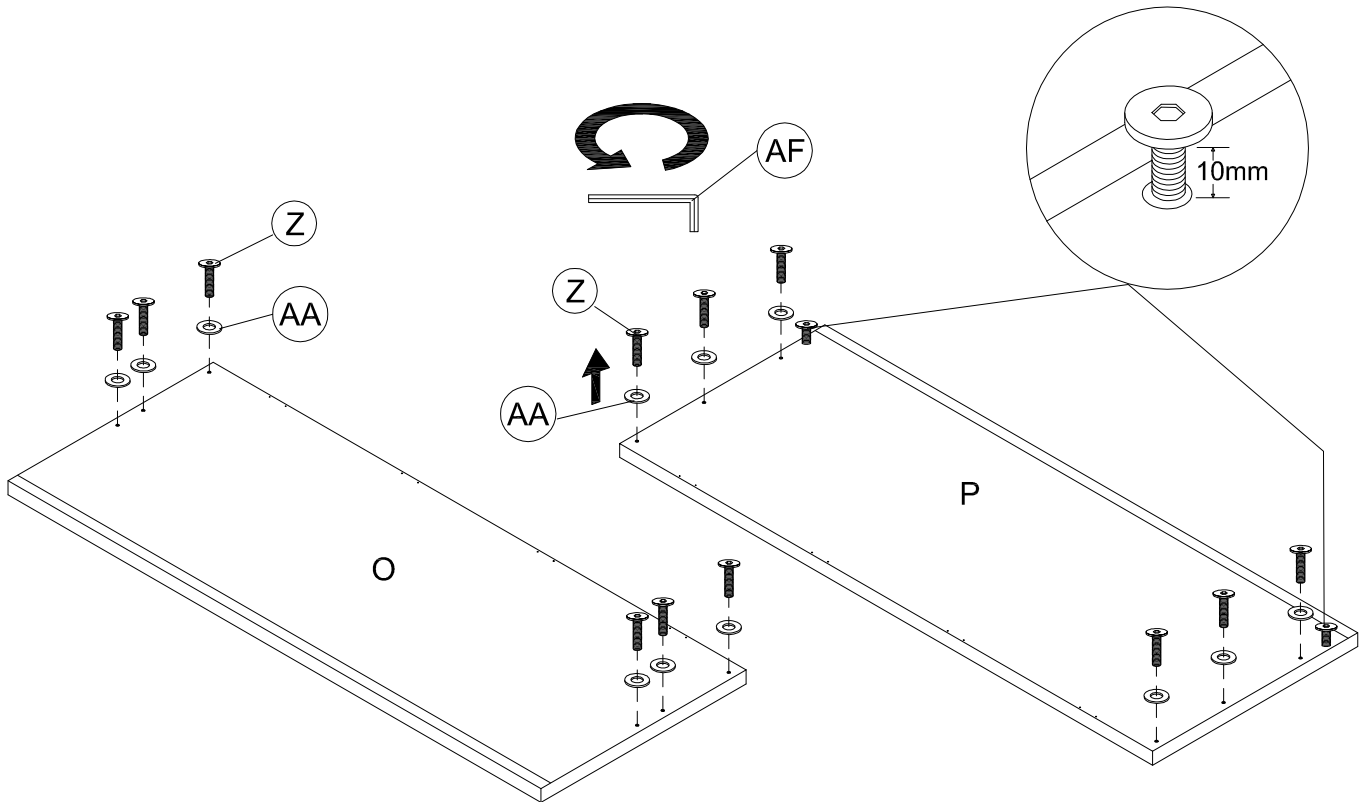
## Step 25

- Before assembly please make sure the opening side is facing the "Media Compartment" Part 'G' side rail.
- Remove the bolts and flat washers located in the head end and foot end.
- Attach the lift up mechanism to the head end and foot end with flat washers and bolts using screw driver provided.
- Repeat the action on the another side.



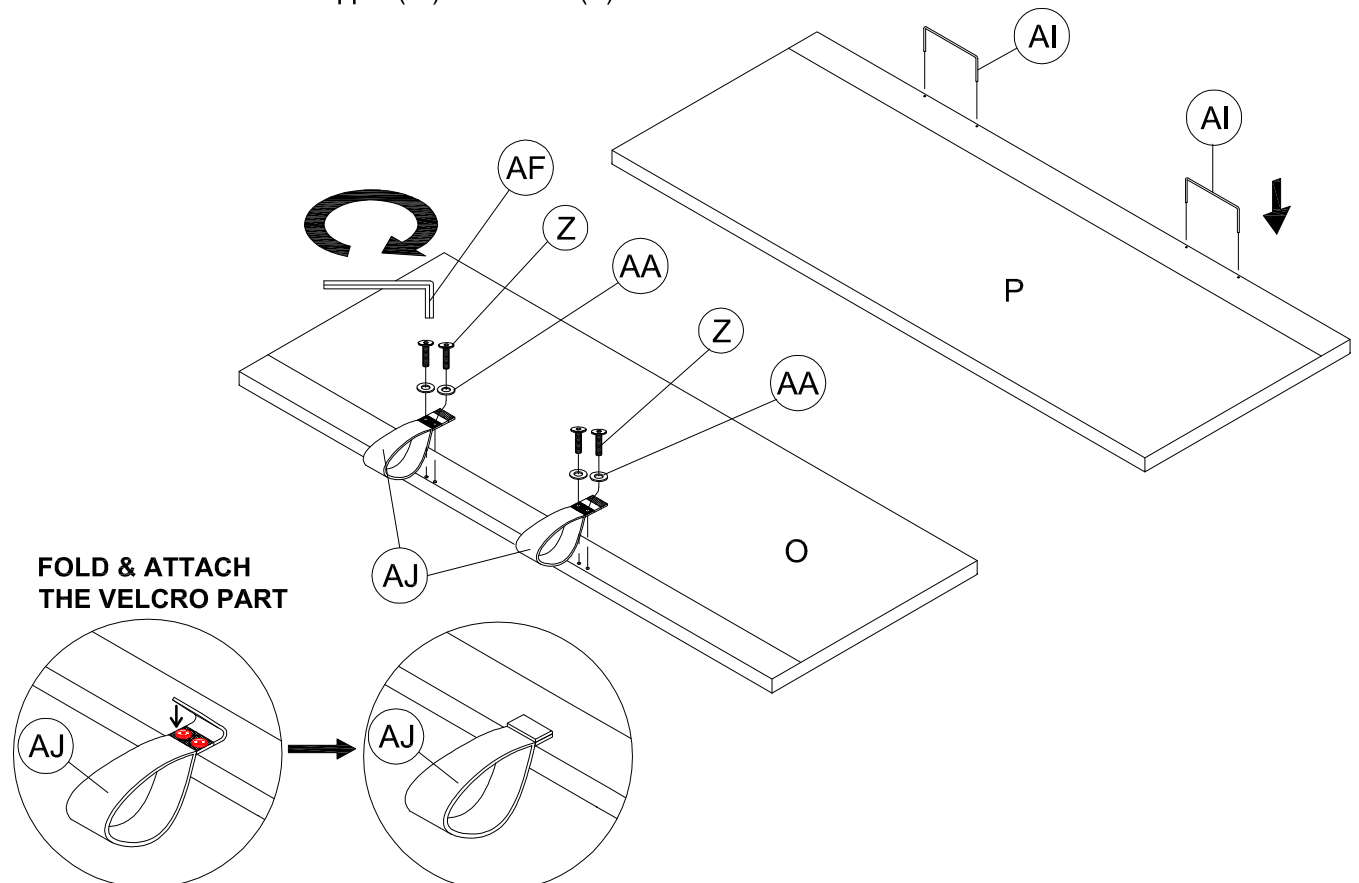
## Step 26

- Take out the all the screw and washer from lift base (O) as shown.
- For lift base (P), the last screw should be extend out 10mm as shown. The rest of screws & washers need to take out.



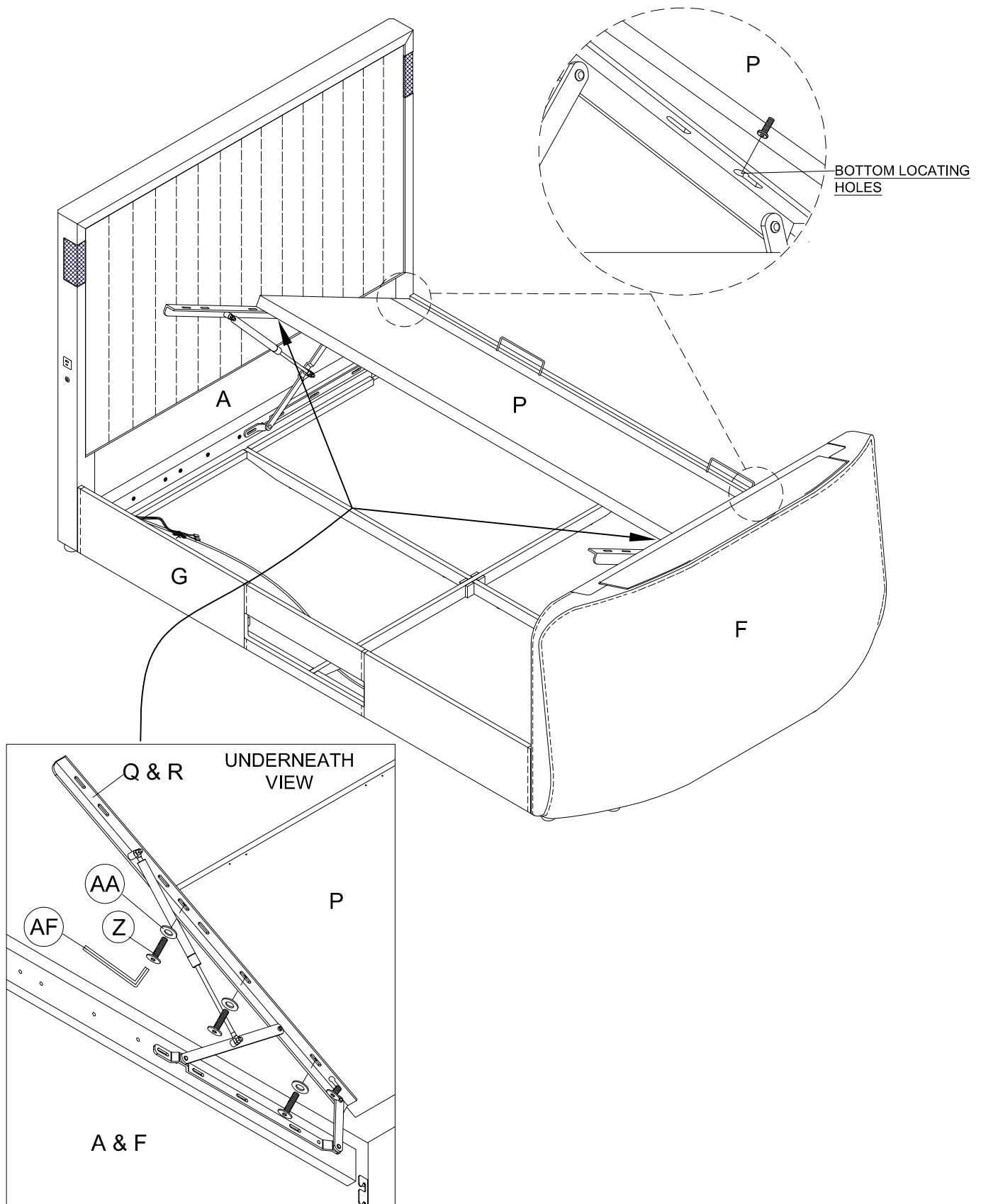
## Step 27

- Attach the handle to lift base (O) with screw (Z) and washer (AA). Fold the velcro part as shown.
- Attach the mattress stopper (AI) to list base (P) .



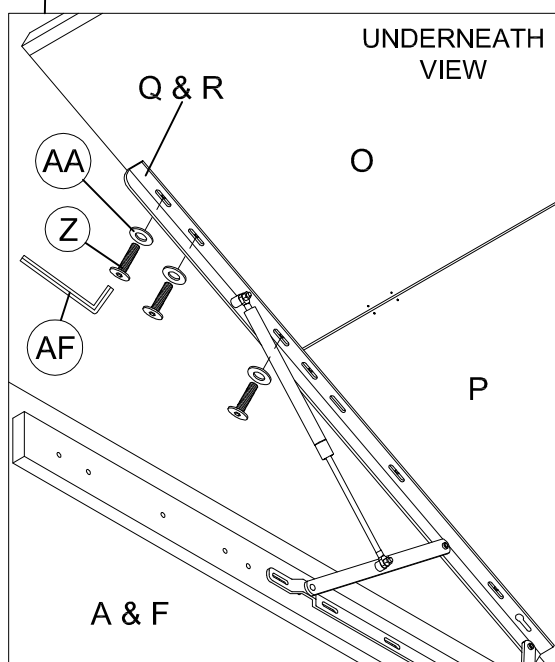
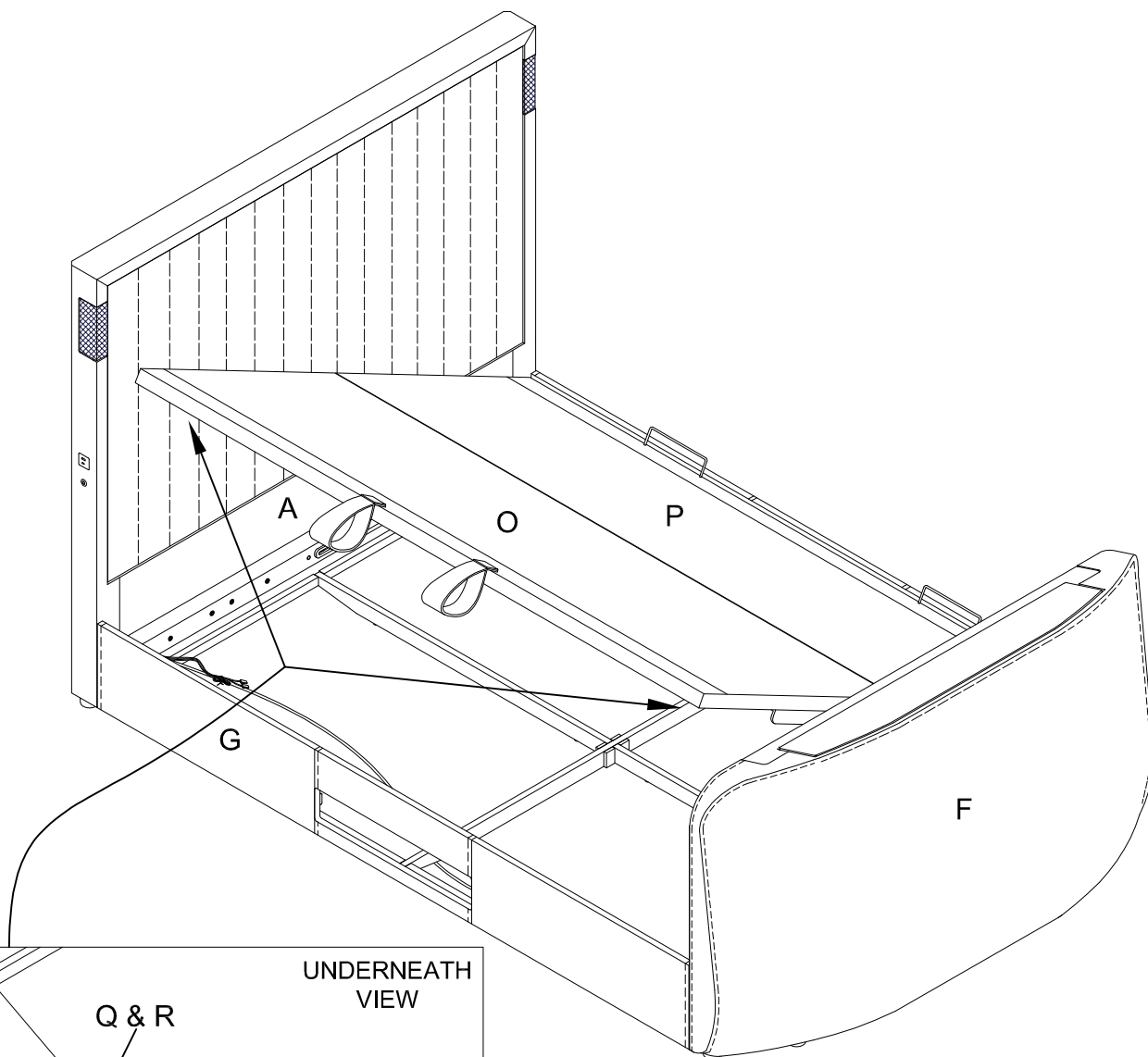
## Step 28

- First put the back lift base 'P' on top of lift up mechanism 'Q' and 'R' with the provided Screws (Z) pre-installed as per step 26 to the first hole for safety and to prevent the lift base from dropping down.
- Use the removed bolts and flat washers on step 26 to fix the back lift base 'P' with lift up mechanism 'Q' and 'R' as shown.
- Use Allen key 'AF' fully tighten all the bolts as shown.



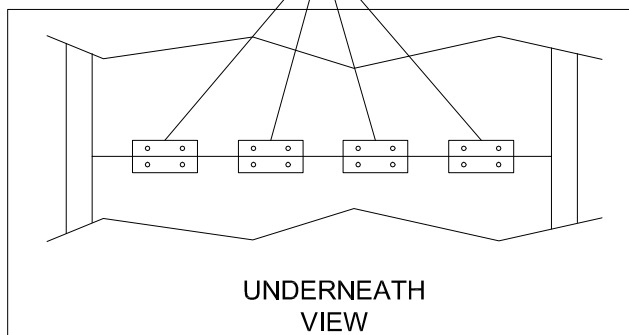
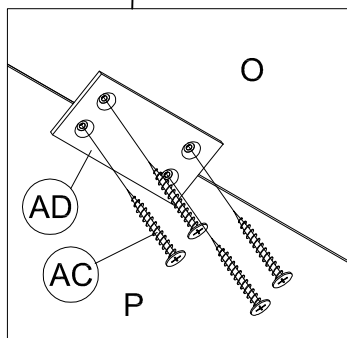
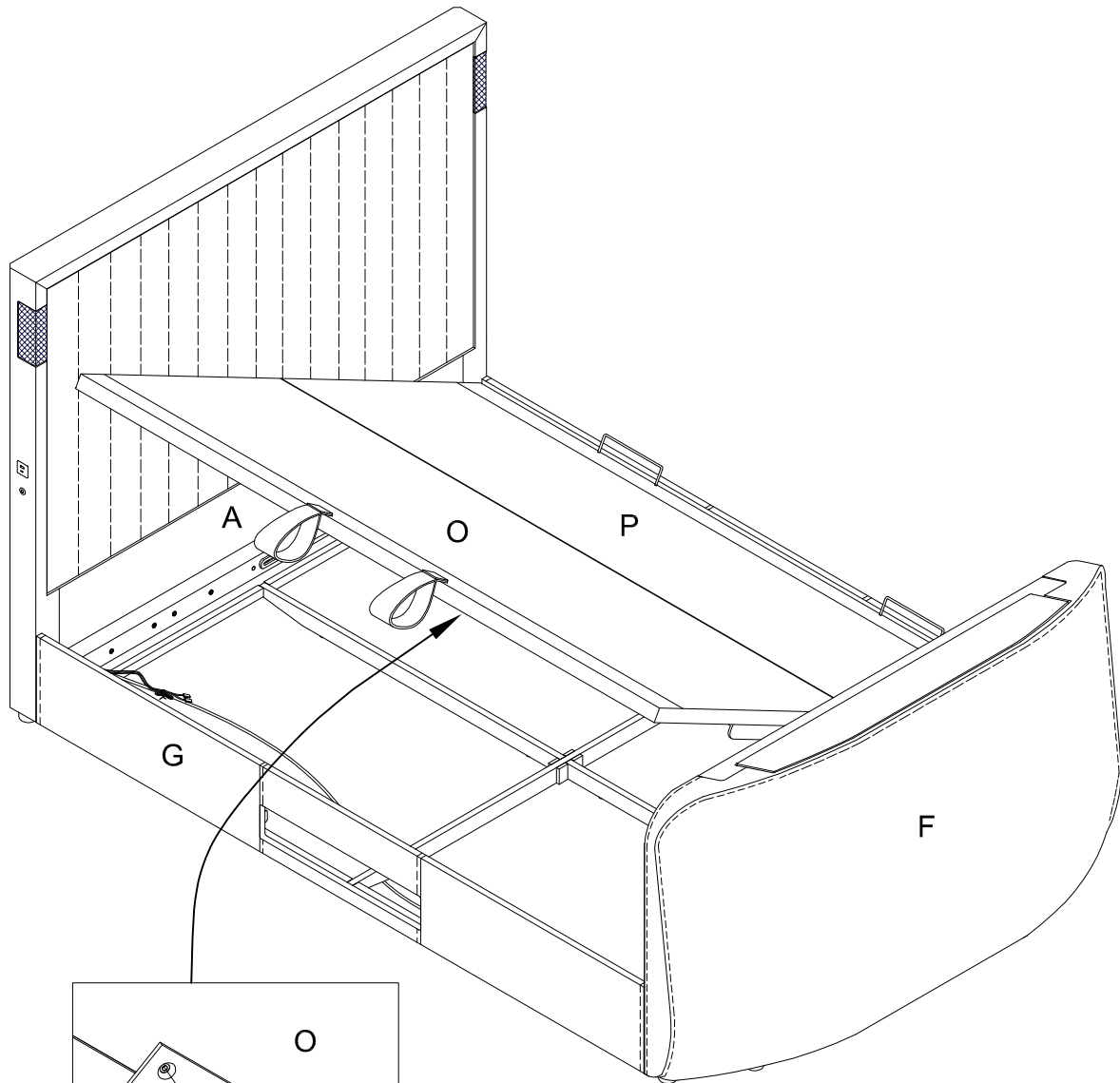
## Step 29

- Put the front lift base 'O' on the top of lift up mechanism 'Q' and 'R' then use the bolts and flat washers has removed on step 26 to fix the front lift base 'O' with lift up mechanism 'Q' and 'R' as shown.
- Use Allen key 'AF' fully tighten all the bolts as shown.



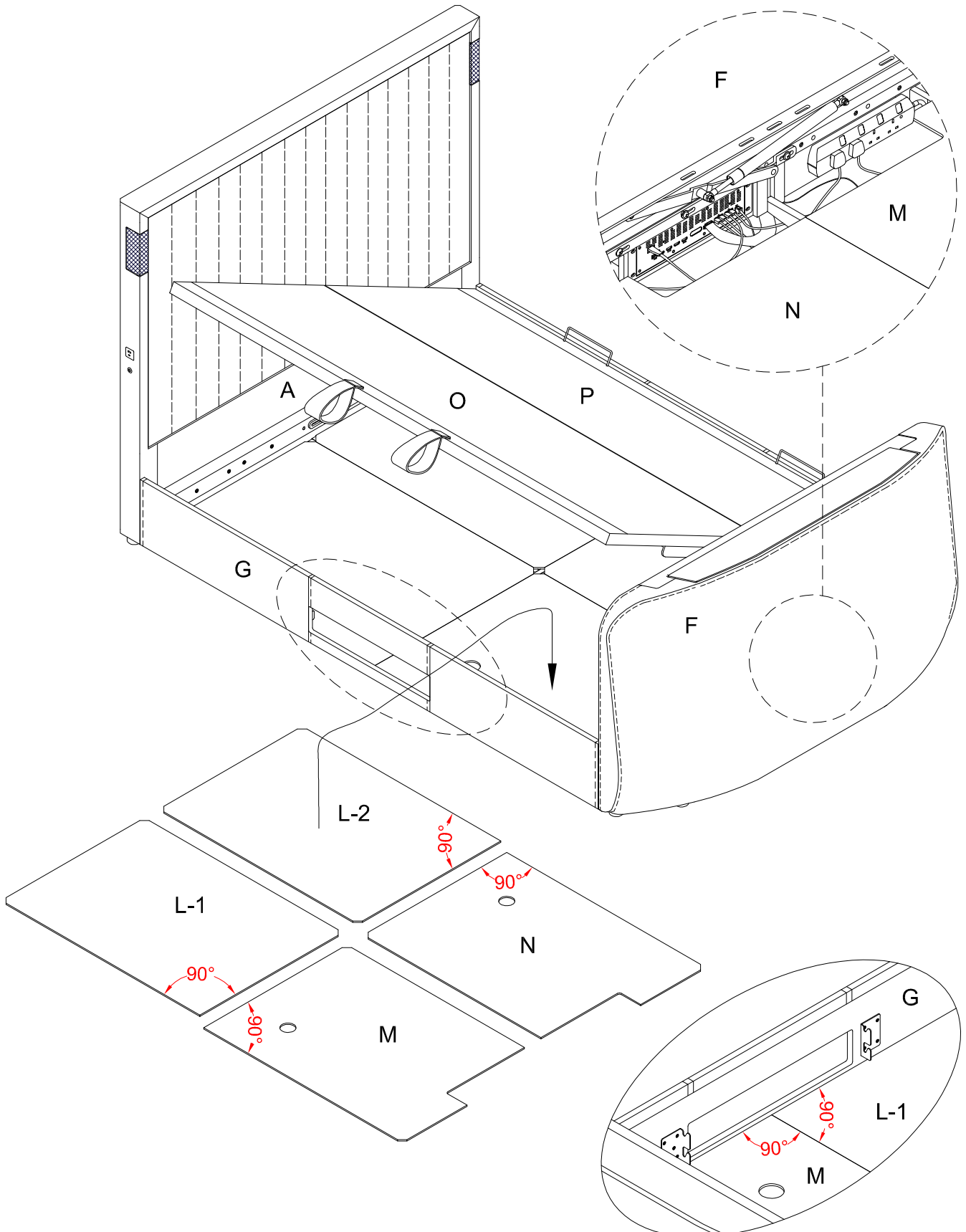
## Step 30

- Attach the metal plate 'AD' to the underneath of lift base 'P' and 'O', fix with screw 'AC' using screw driver 'AE' provided as shown.



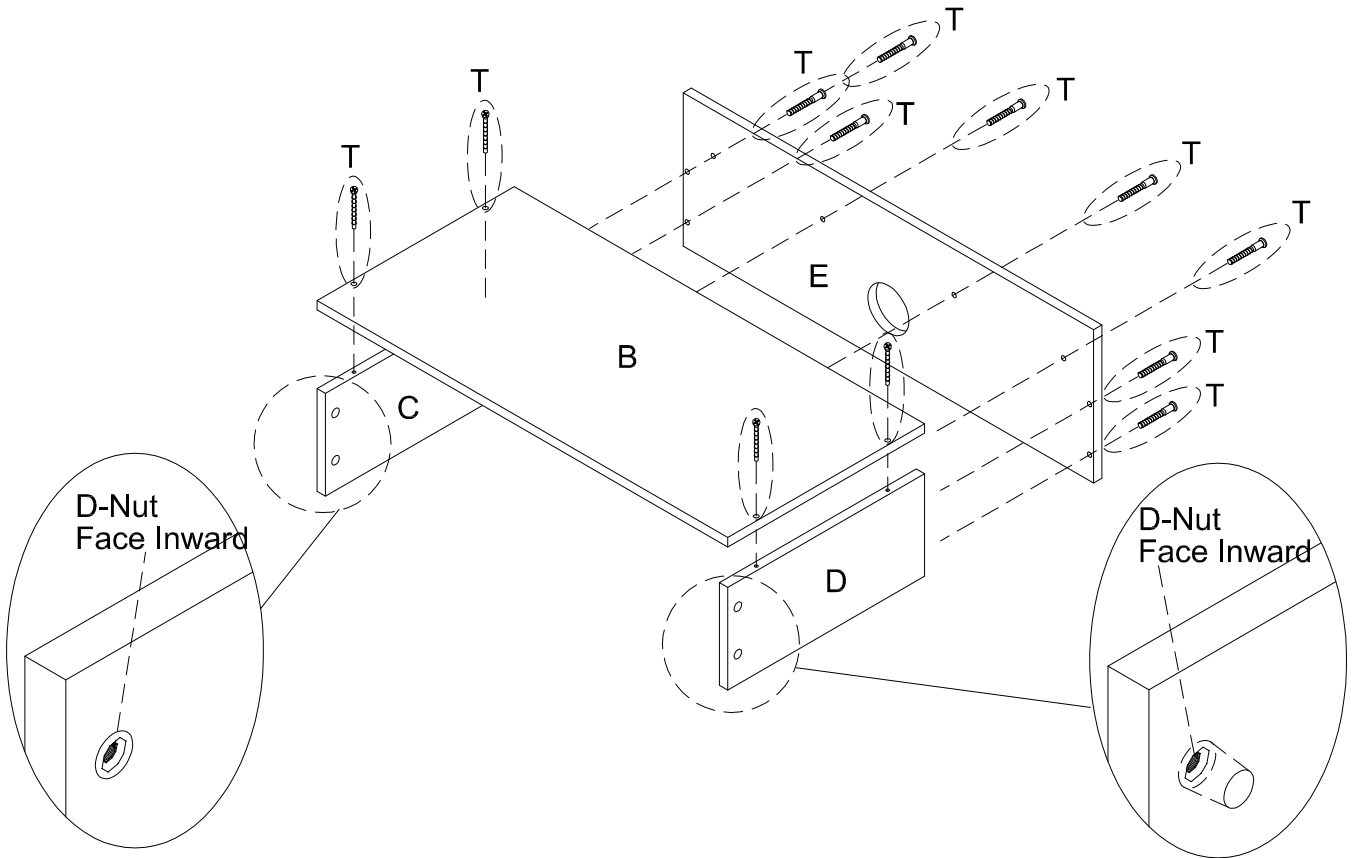
## Step 31

- Put the base panel on the bottom cross bar as shown.
- Make sure to place the base panel 'M' & 'N' at the foot end follow the diagram.
- Make sure the base panel with 90 degree angle was placed next to the side rail 'G'.
- Make sure all the power cable place under the base panel through the base panel corner space.



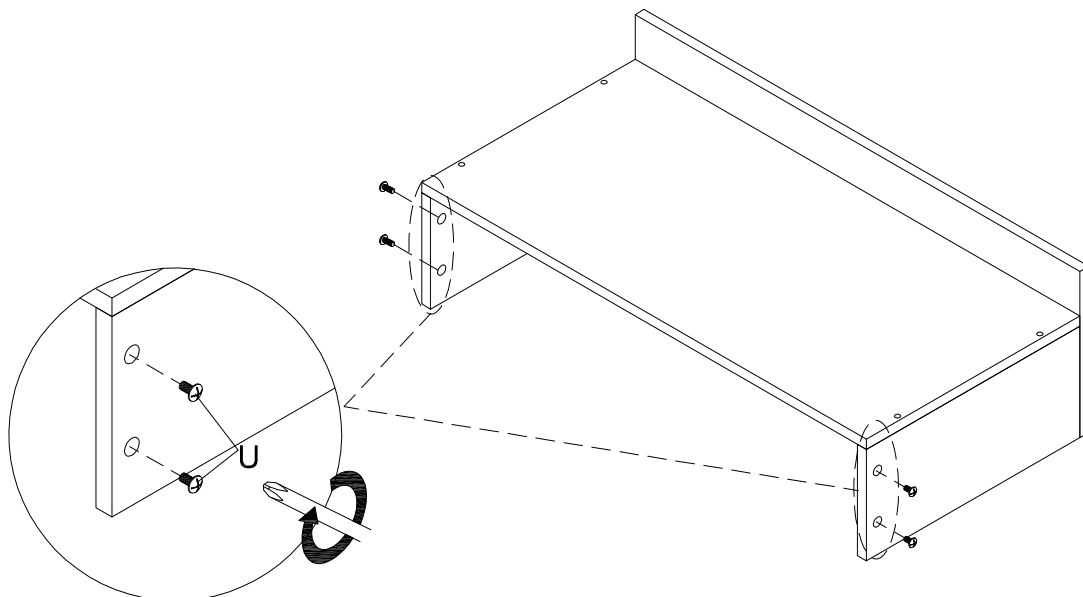
### Step 32

- Attach "Media Compartment" side and back panels to "Media Compartment" top panel as shown.



### Step 33

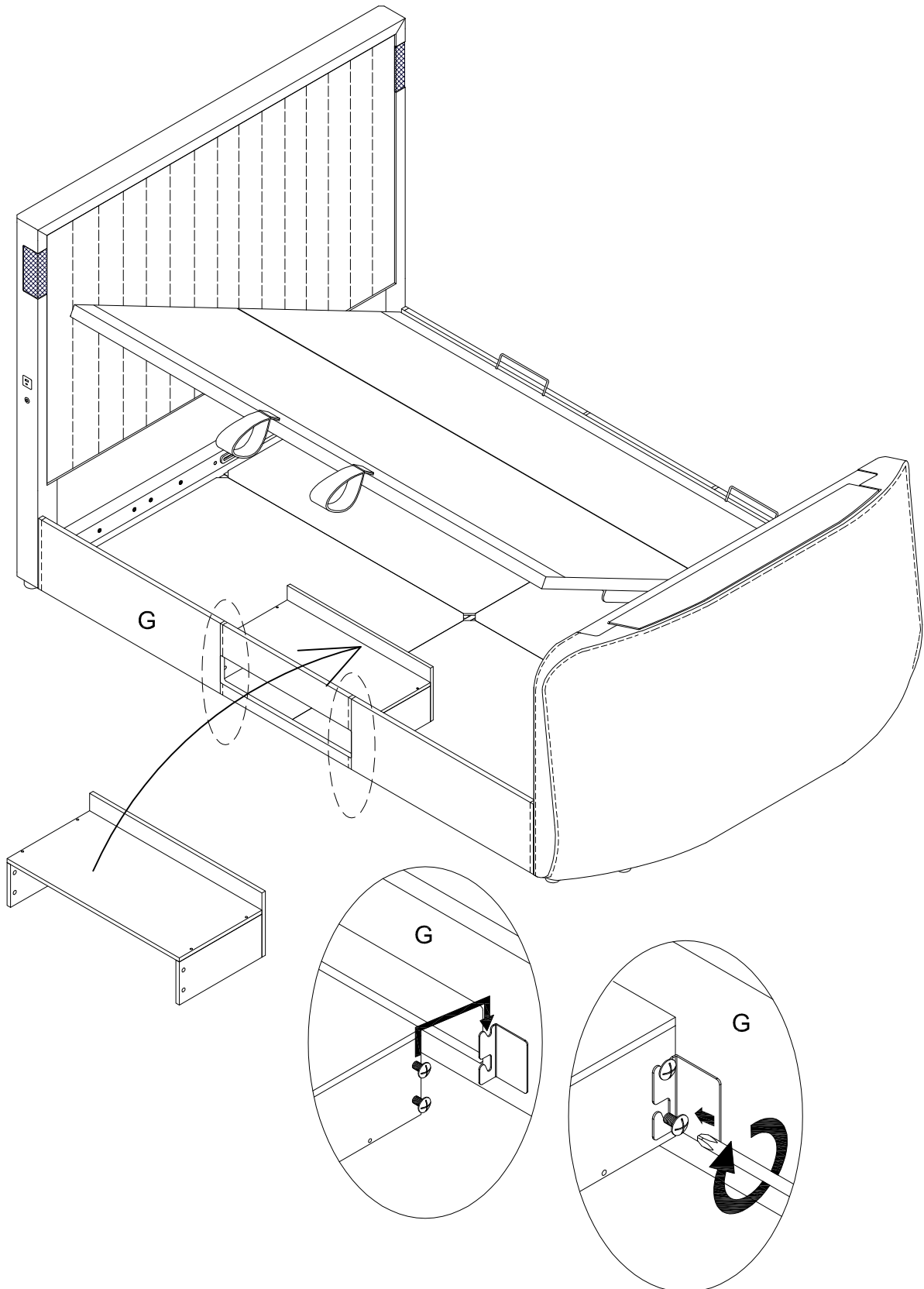
- Attach the bolts (U) to the outside of "Media Compartment" side panels as shown.





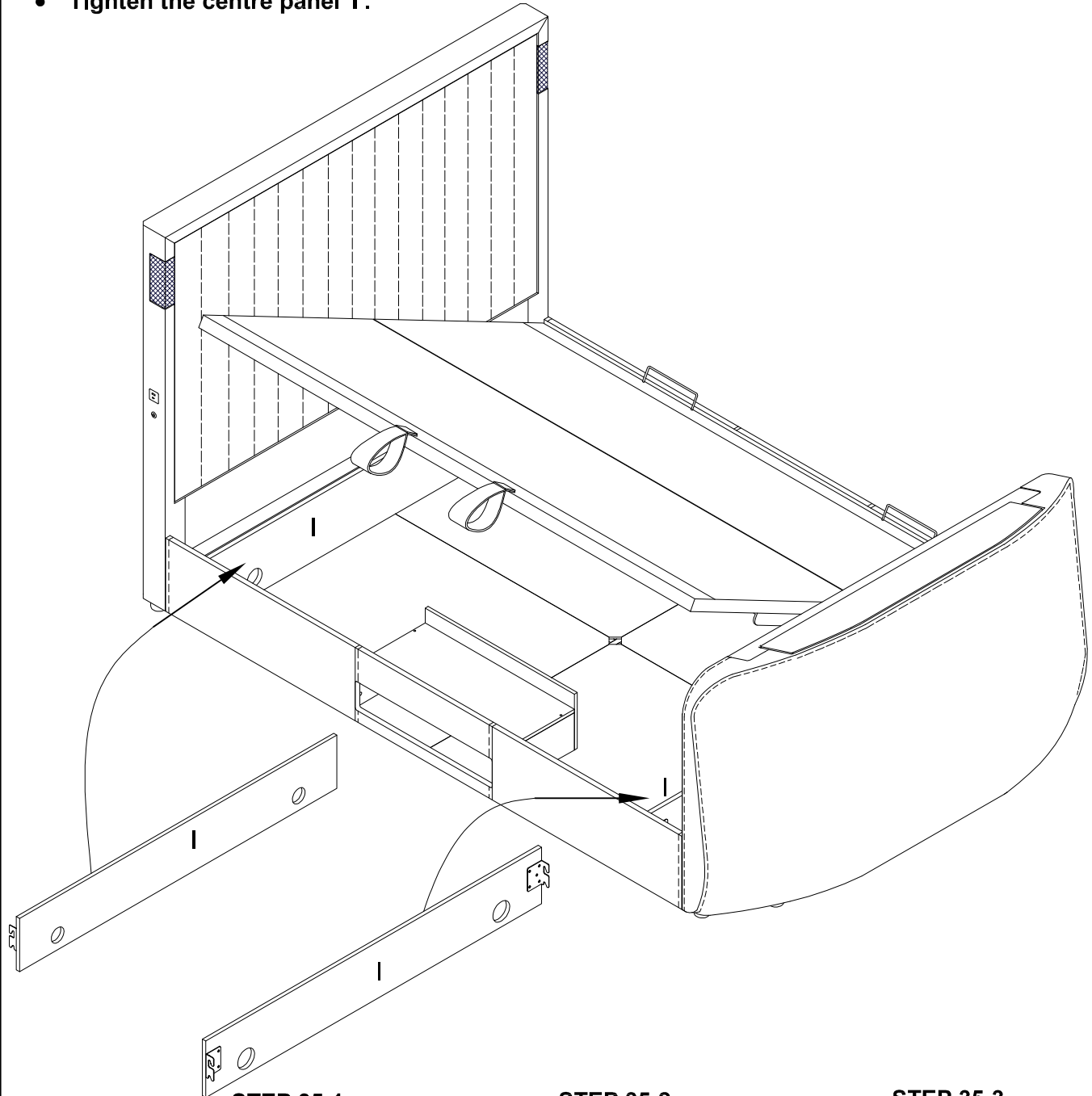
## Step 34

- Attach the "Media Compartment" to the side rail as shown.
- Tighten all the bolts as shown.

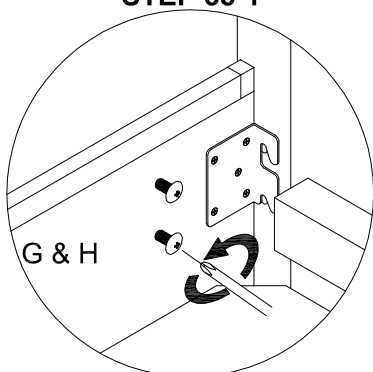


## Step 35

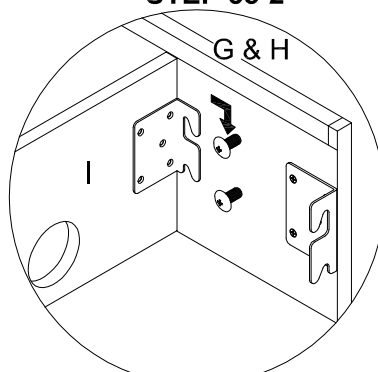
- Loosen the bolts attach to the side rail as shown. (Note: only loosen the bolts Do NOT remove them.)
- Hook the centre panel 'I' over the bolts as shown.
- Repeat the action on the opposite side.
- Tighten the centre panel 'I'.



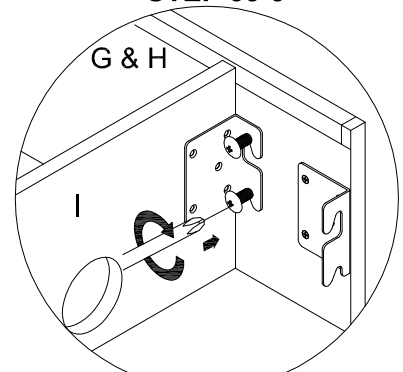
STEP 35-1



STEP 35-2



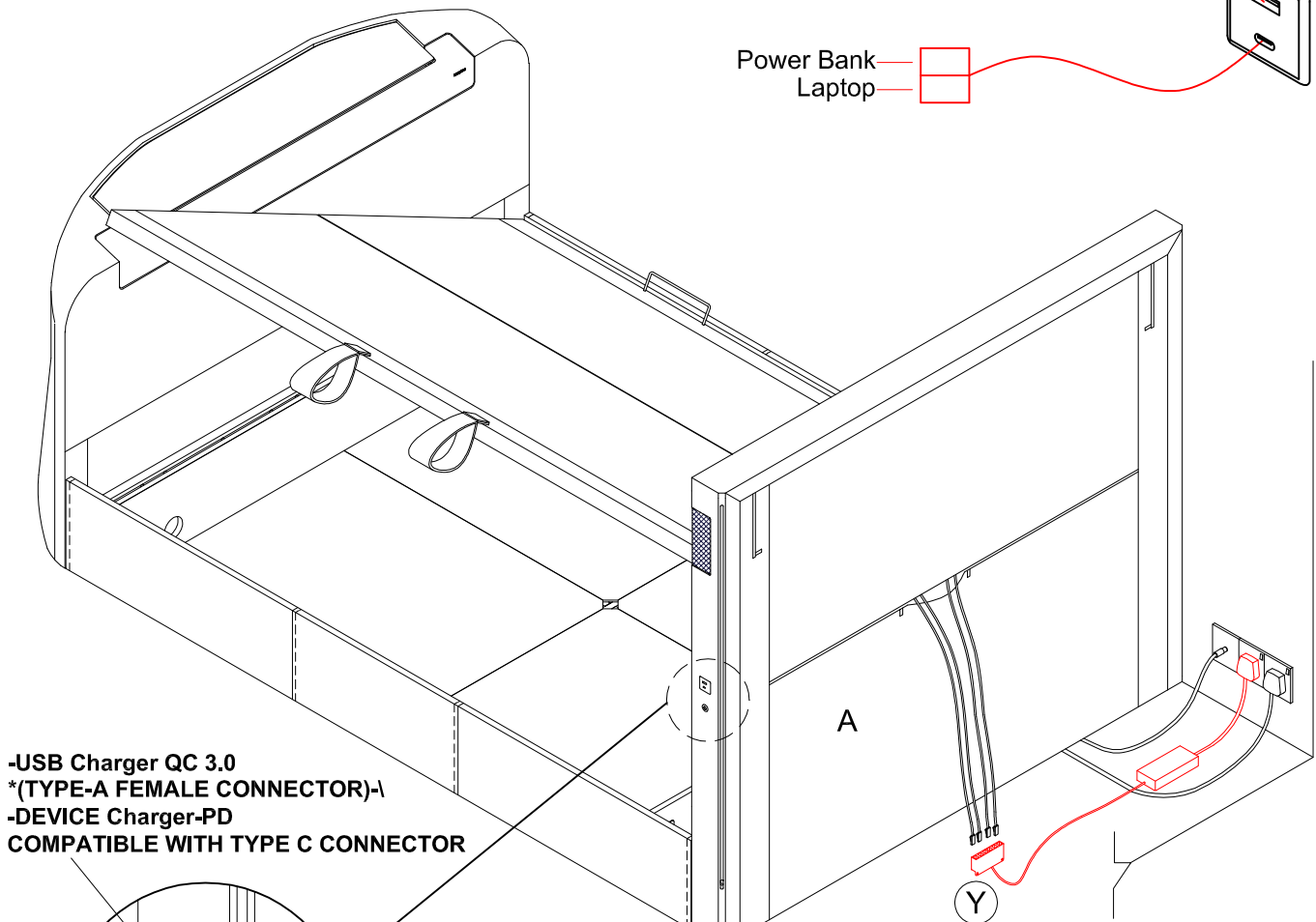
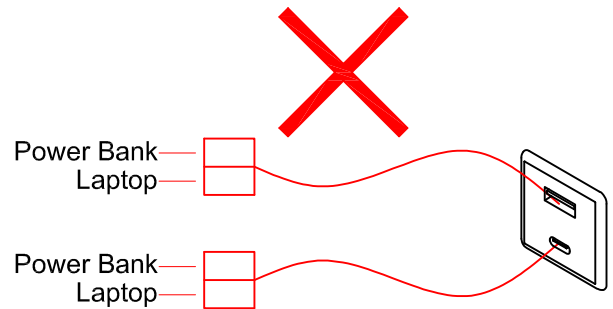
STEP 35-3



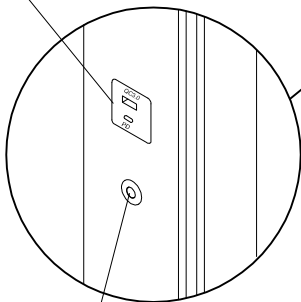
## Step 36

- Unzip the head end back, untie the USB male connector & touch sensor switch connector located in the back of head end.
- Insert all the connector to the 6 way AC adaptor (Y) as shown.
- Plug the LED Driver directly into a mains wall socket. (Do not plug into extension sockets)

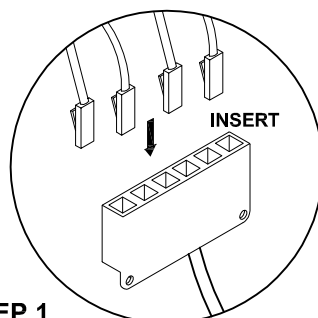
1. Please monitor the device under charge, if the device does get hot stop using charger immediately.
2. Ensure that device being charged are free of moisture and the charging cable is in good condition.
3. Please refer to respective device user manual to seek the suitability of charging method.



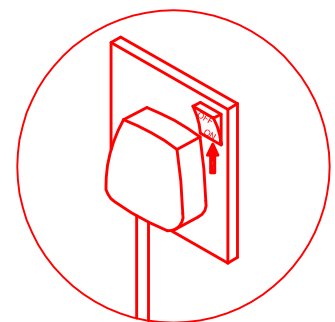
-USB Charger QC 3.0  
\*(TYPE-A FEMALE CONNECTOR)-  
-DEVICE Charger-PD  
COMPATIBLE WITH TYPE C CONNECTOR



Touch sensor switch



**STEP 1**  
INSERT ALL THE MALE CONNECTOR  
TO 6 WAY AC ADAPTOR.

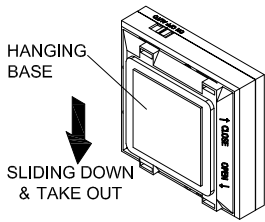


**STEP 2**  
CONNECT THE 6 WAY AC  
ADAPTOR PLUG TO THE MAIN  
POWER SUPPLY.

## Step 37

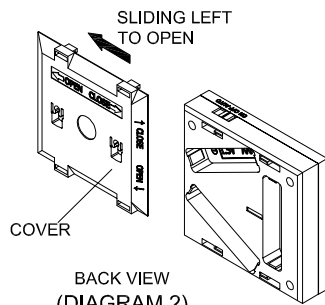
### • Installed LED sensor light (AK) to the bottom of lift base (O).

(37.1) FIRSTLY, WE NEED TO OPEN THE HANGING BASE FROM THE LED SENSOR LIGHT



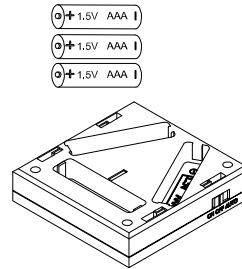
BACK VIEW  
(DIAGRAM 1)

(37.2) THEN, TAKE OUT THE COVER FROM THE LED SENSOR LIGHT



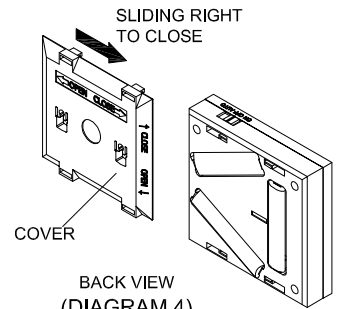
BACK VIEW  
(DIAGRAM 2)

(37.3) THEN, INSERT THE BATTERY 1.5V AAA SIZE TO THE LED SENSOR LIGHT.  
(BATTERY NOT PROVIDED)



(DIAGRAM 3)

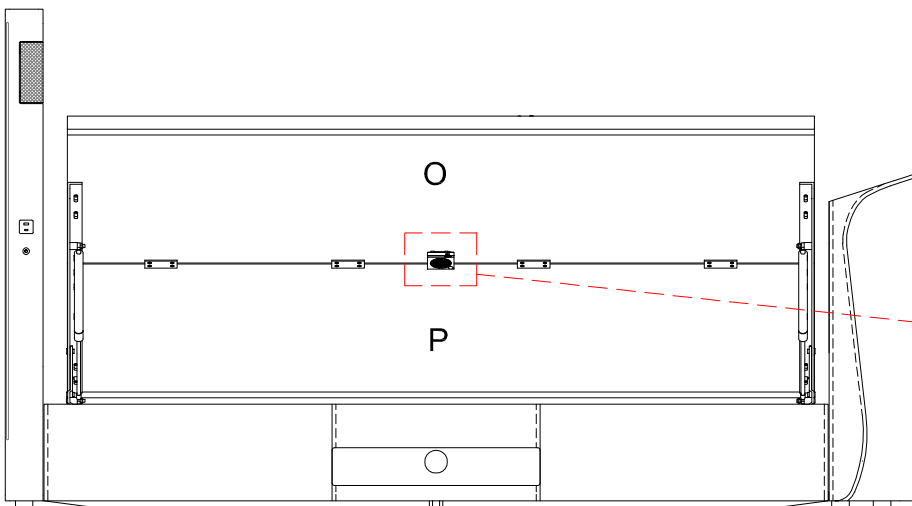
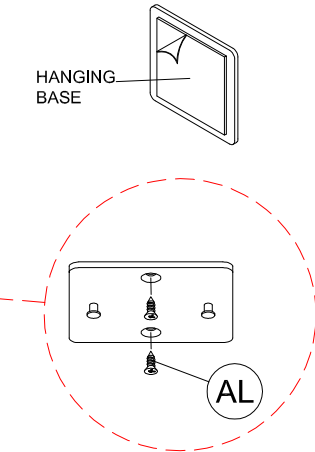
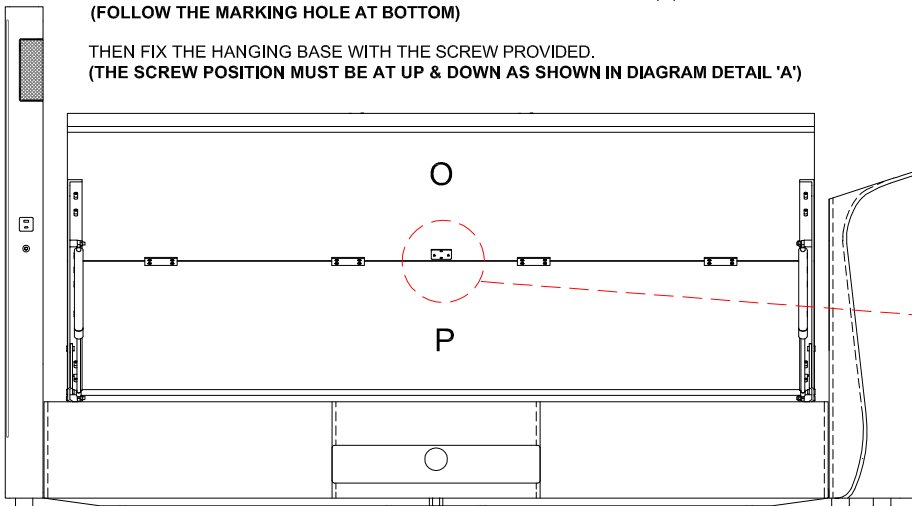
(37.4) AFTER THAT, SLIDE THE COVER BACK TO THE LED SENSOR LIGHT.



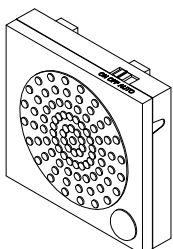
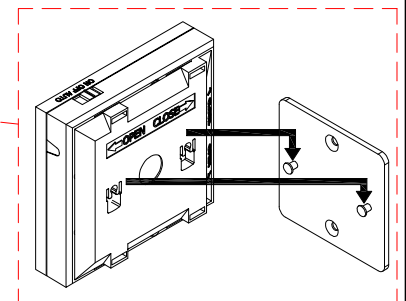
BACK VIEW  
(DIAGRAM 4)

TEAR OFF THE DOUBLE SIDED TAPE FROM THE HANGING BASE.  
THEN ATTACH THE HANGING BASE TO THE BOTTOM OF LIFT BASE (O)  
(FOLLOW THE MARKING HOLE AT BOTTOM)

THEN FIX THE HANGING BASE WITH THE SCREW PROVIDED.  
(THE SCREW POSITION MUST BE AT UP & DOWN AS SHOWN IN DIAGRAM DETAIL 'A')



HOOK THE LED SENSOR LIGHT TO THE HANGING BASE.



#### **LED SENSOR LIGHT FUNCTION**

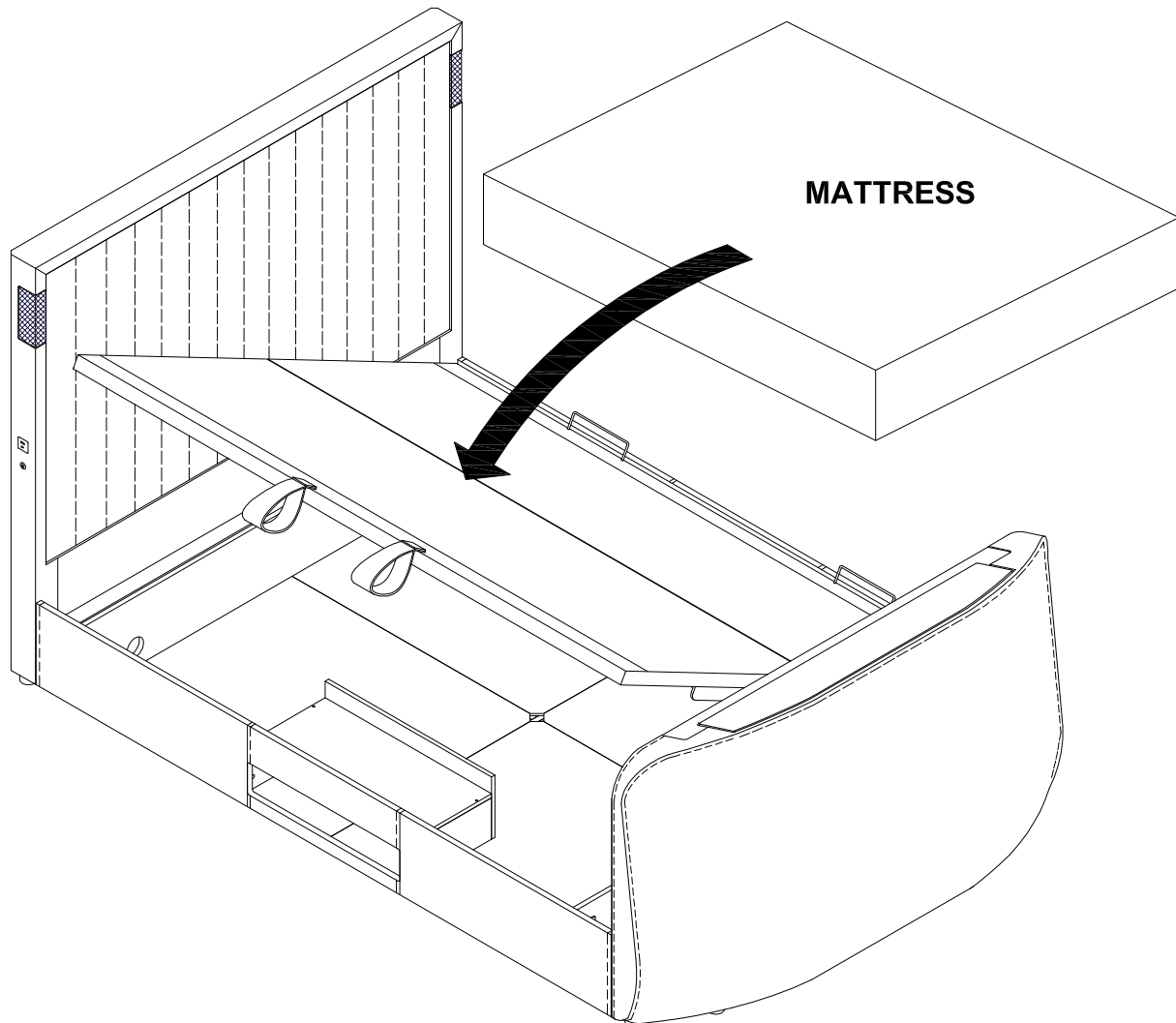
**OFF** :- THE LIGHT IS OFF.

**ON** :- THE LIGHT WILL STAY ON .

**AUTO** :- THE LIGHT WILL ACTIVATE WHEN MOTION IS DETECTED AND STAY ON FOR APPROXIMATELY 20 SECONDS THEN TURN OFF UNTIL ACTIVATED AGAIN.

## Step 38

- Place the mattress on the sleeping base whilst in the raised position to assist lowering the base. Please note the lifting operation should only be attempted with the mattress in place.



A. This Lift Mechanism provides assistance with the lift of the mattress fitted to the base - it does not lift the mattress for you. The system has been designed to effectively lift the base system fitted with a variety of mattress weights and combinations of depth. Depending on the combination of mattress weight and depth determines the degree of assistance provided by the mechanism.

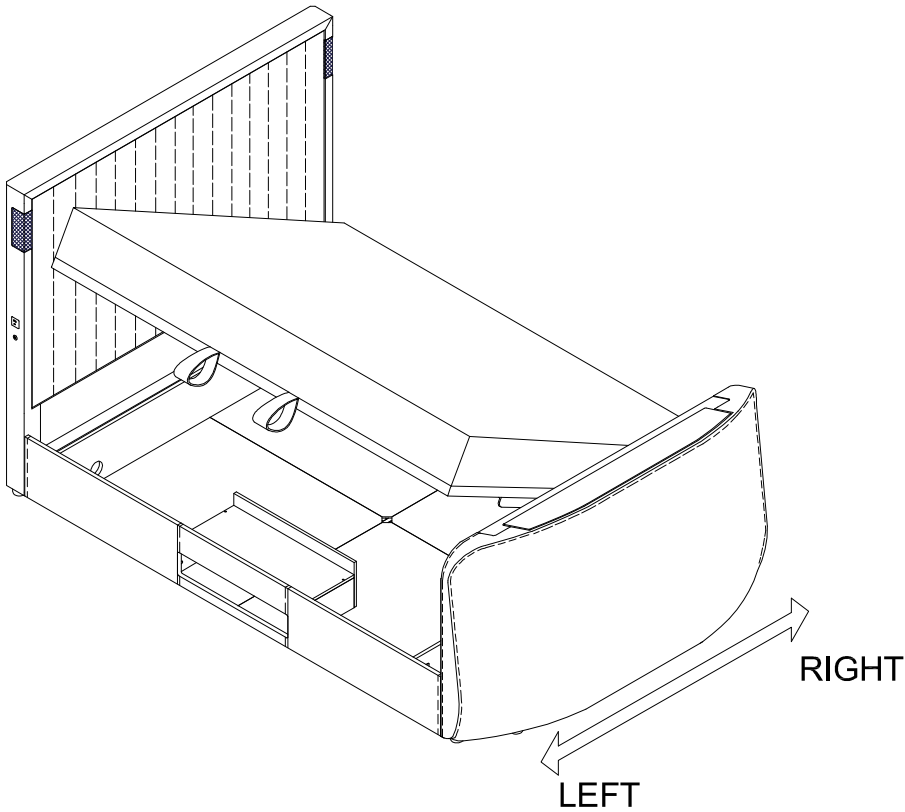
B. Following installation of the mechanism lift / pull the base up and down a few times to free off the system. The gas cylinders fitted to the system may be stiff when first used or if the system has not been operated for a period of time. The mattress must be fitted to the base.

C. Use the strap handle to lift up the mattress base using two hands - Pull the mattress base down using two hands equally spaced from the centre of the mattress base. **DO NOT** pull down on one side of the base only as this is likely to damage the base system with potential failure of the mattress base system and lift mechanism. **Do not operate the lift up mechanism without the mattress fitted to the base.**

**CAUTION :** Do not allow children to operate the lift Mechanism.  
Do not allow children near the lift base when operating the Mechanism.  
Do not allow children in the area of the internal storage base.  
Keep hands clear of the mechanism when operating the base system.  
Do not stand inside the bed / on the internal storage base.  
Do not overload the internal storage base.

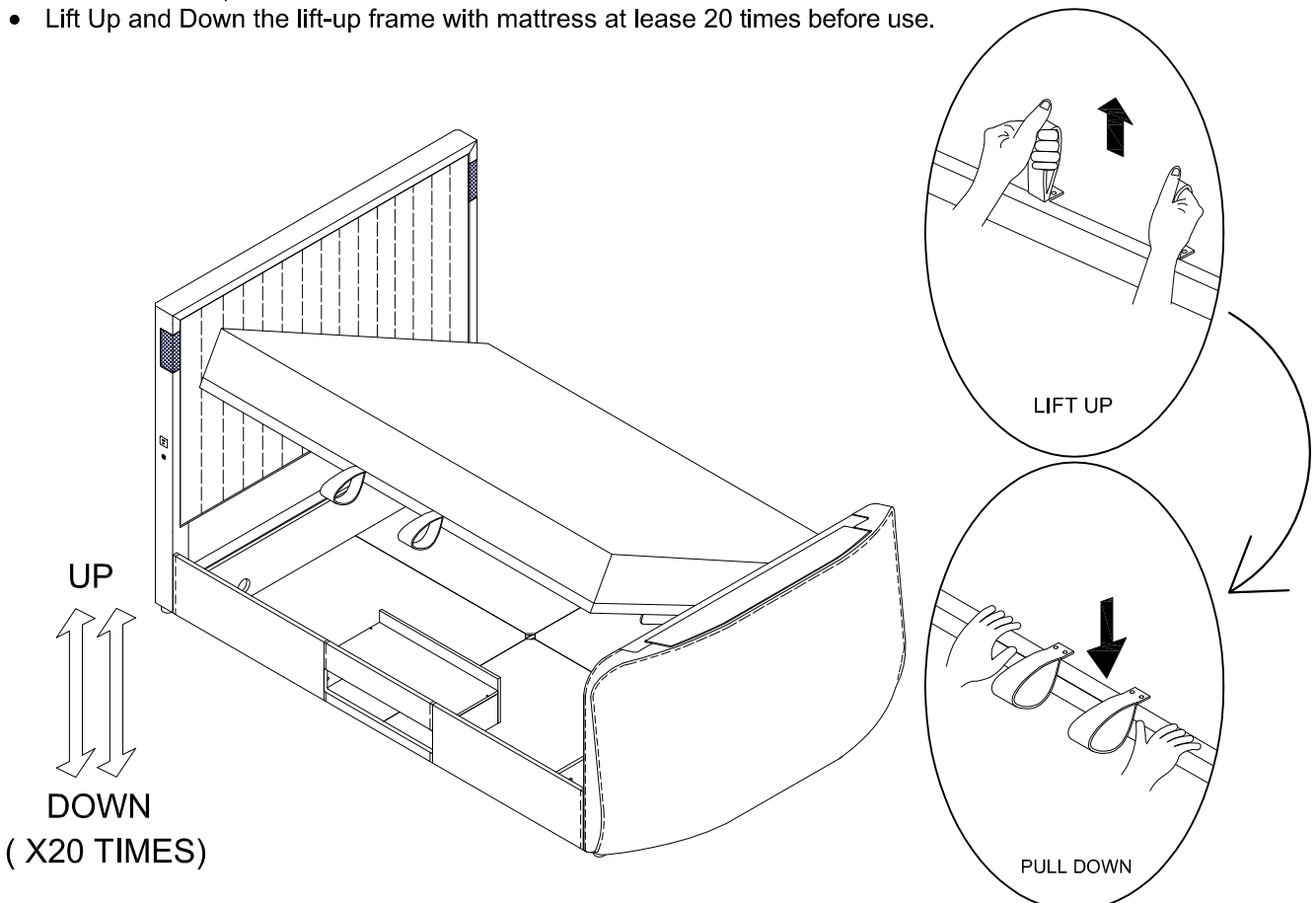
### Step 39

- Make sure the bed frame 4 side angles are at 90 degrees before you closing the lift base.



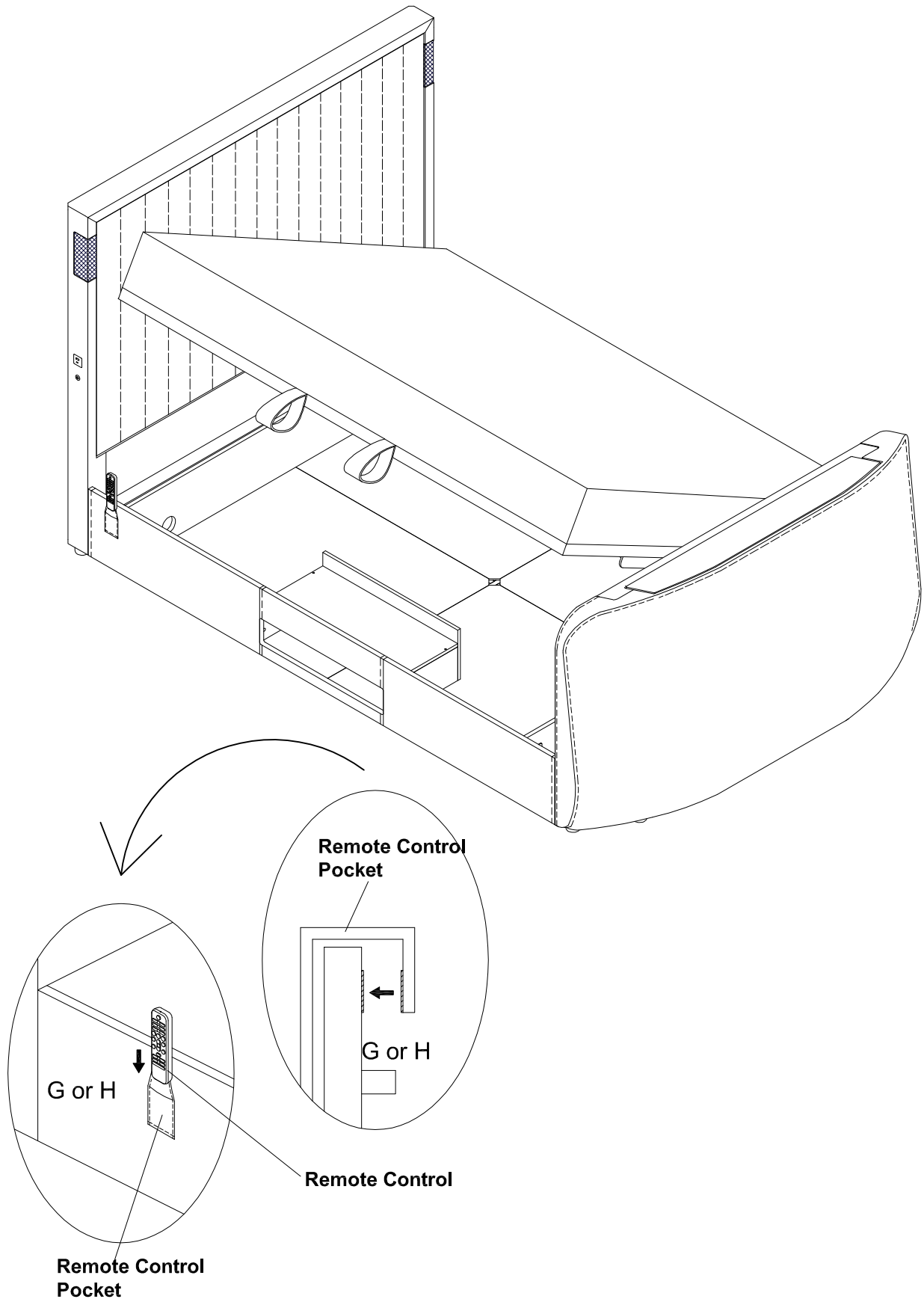
### Step 40

- The mattress must be fitted on the lift base. (Do not operate the lift up mechanism without the mattress fitted on the lift base.)
- Lift Up and Down the lift-up frame with mattress at least 20 times before use.



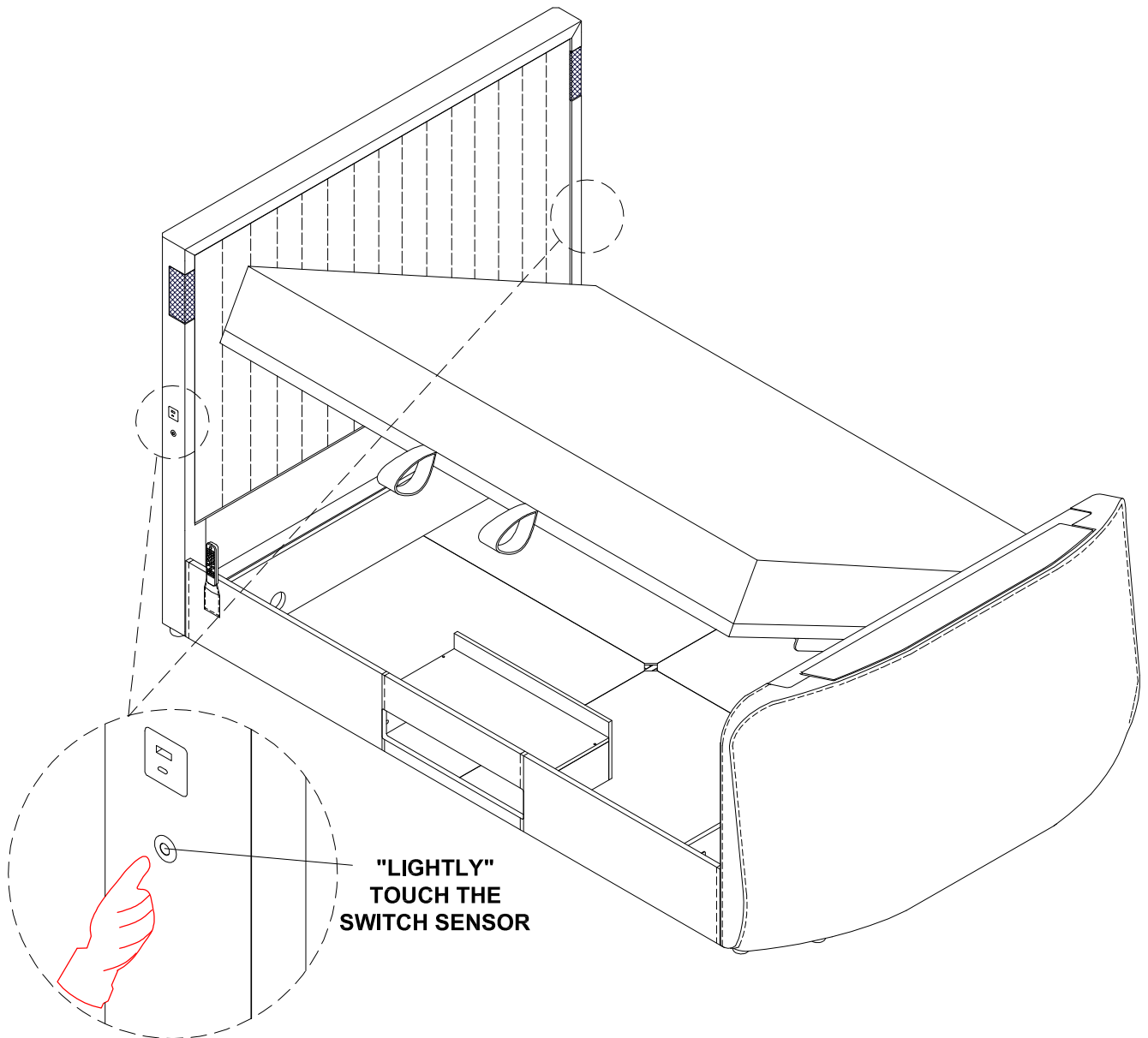
## Step 41

- Attach the Remote Control Pocket to the left or right sides of the side rail as preferred.



## Step 42

- Attach the Remote Control Pocket to the left or right sides of the side rail as preferred.



### **TOUCH SWITCH SENSOR FUNCTION USER GUIDE:-**

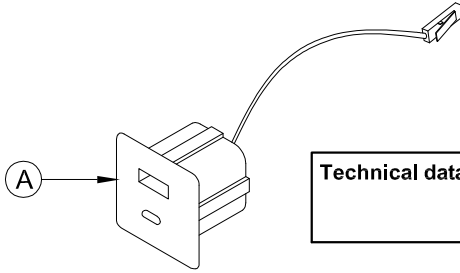
1. Make sure all the cable connections are correct.
2. Switch on the main power supply.
3. To turn on/off the LED light, use the touch sensor on the side rail.

### **TOUCH SWITCH SENSOR ADJUSTING LED LIGHT (BRIGHTNESS / DIMMED) USER GUIDE :-**

1. Touch the switch sensor to switch on the LED light.
2. Again press and hold the touch switch to increase or decrease the brightness. (Note: continue to press the touch switch to increase brightness, release and continue to press the touch switch to decrease the brightness).
3. The LED light will automatically set the memory to the last setting.

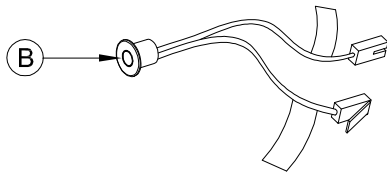


# CHARGING +LED LIGHT OPTI-SERVE SPARE PARTS LIST

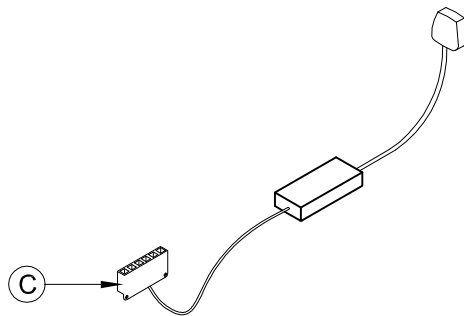


Technical data : Vout 1 (USB A Port): 5V/3.6A; 9V/2.5A; 12V/2A  
 Vout 2 (USB Type-C Port):  
 5V/3A; 9V/3A; 12V/2.25A; 5V/3.6A; 9V/2.5A; 12V/2A

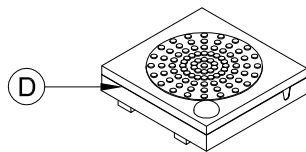
ITEM NO	PART DESCRIPTION	IV CODES
A	Dual USB TYPE-A (QC3.0) / TYPE C (PD)	IV000078



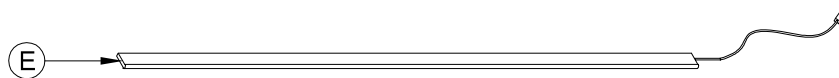
ITEM NO	PART DESCRIPTION	IV CODES
B	Mini Touch Switch (Gun Metal) Input 12V DC, Output 12V DC	IV000074



ITEM NO	PART DESCRIPTION	IV CODES
C	6 Way Adaptor - Output 12V DC Max 100W (UK)	IV000079

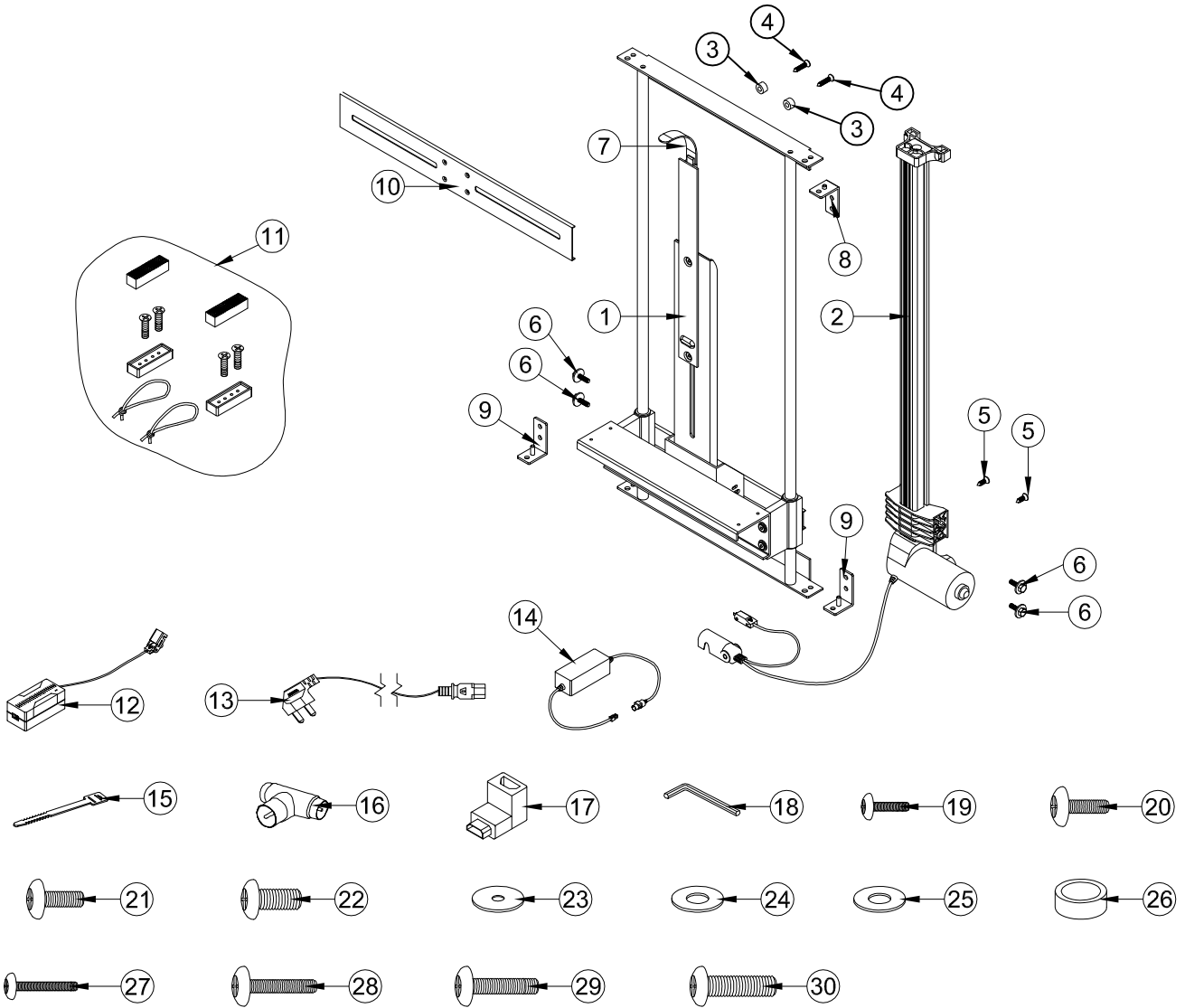


ITEM NO	PART DESCRIPTION	IV CODES
D	LED Sensor Light	IV001813



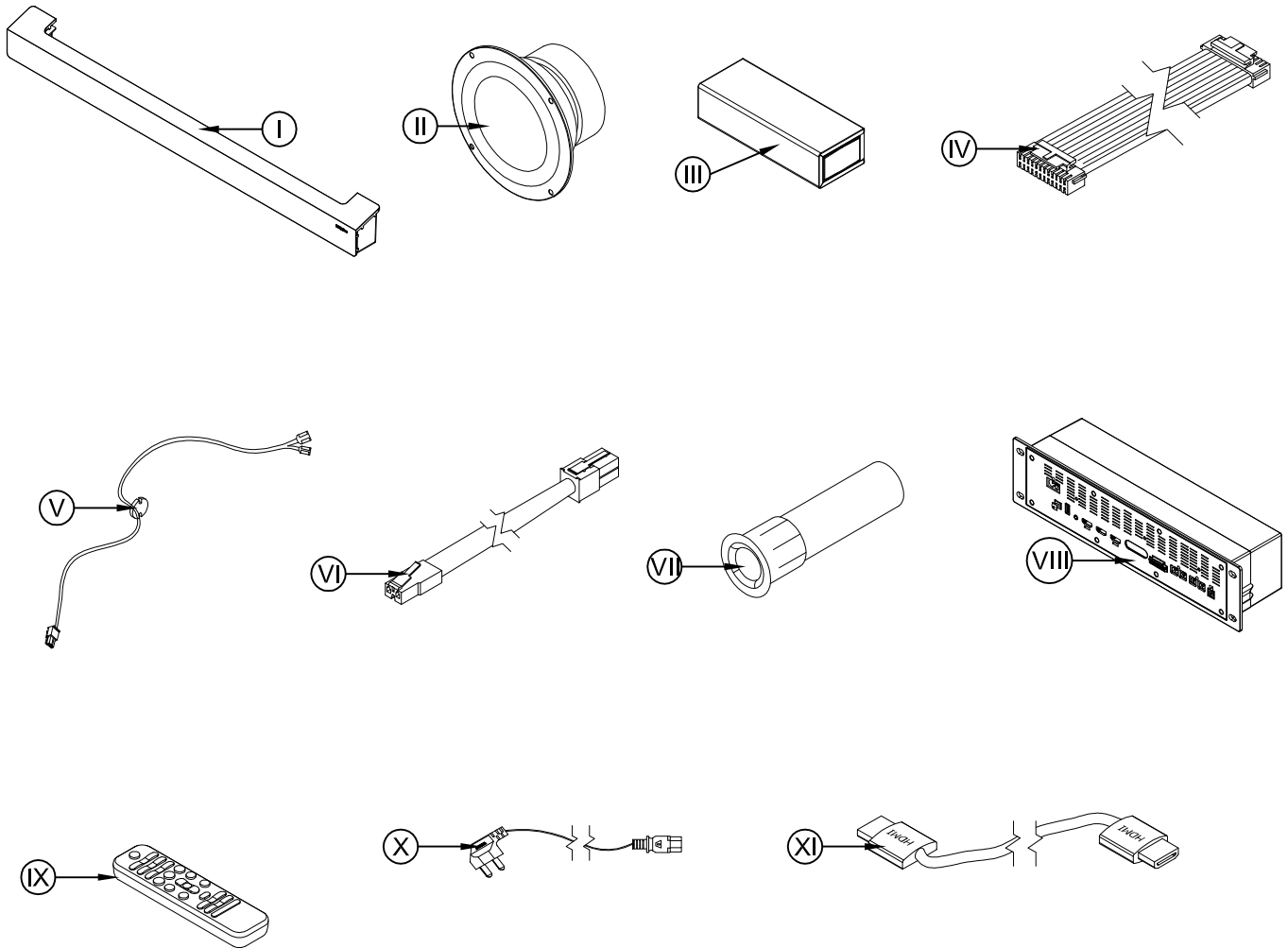
ITEM NO	PART DESCRIPTION	IV CODES
E	LED Light profile	IV001437

# G4 TV LIFT MECHANISM- OPTI-SERVE SPARE PARTS LIST



ITEM NO.	PART DESCRIPTION	IV CODES	
1	Main TV-lift up mechanism (pre-assemble)	IV 001282	
2	TV-linear actuator G4 (pre-fixed)		
3	Actuator mounting top spacer (2pcs) (pre-fixed)		
4	Cross recessed countersunk flat head wood screw- Top mounting M6 x 30mm (2pcs) (pre-fixed)		
5	Cross recessed countersunk flat head wood screw- Top mounting M6 x 20mm (2pcs) (pre-fixed)		
6	Actuator mounting bolt- screw M6 x 20mm (4pcs) (pre-fixed)		
7	Gooseneck (pre-fixed)		IV 001289
8	Top hanging bracket (2pcs) (pre-fixed)		IV 001636
9	Bottom hanging bracket (2pcs) (pre-fixed)		IV 001290
10	TV- flat bracket (Vesa Bracket) (pre-fixed)		IV 001635
11	TV block (2pcs), screw M4 x 35mm (4pcs), block rubber cover (2pcs), cable management bungee cable (2pcs) (pre-fixed)	IV 000062	
12	AC-DC Adaptor 29-2A (1pc)	IV 001295	
13	TV-lift up mechanism AC/ power-cable power plug UK (1pc)	IV 000061	
14	Control Box KDDY 083A-1K1-KD (1pc)		
15	Cable clip (2pcs)-use to fix wire	IV 001634	
16	Aerial connection (1pc)		
17	90 degree HDMI adaptor (1pc)		
18	Allen key (M4) (1pc)		
19	Pan head screw M4 x 20mm (2pcs)		
20	Pan head screw M5 x 20mm (2pcs)		
21	Pan head screw M6 x 20mm (2pcs)		
22	Pan head screw M8 x 20mm (2pcs)		
23	M5 washer (2pcs)		
24	M6 washer (2pcs)		
25	M8 washer (2pcs)		
26	Plastic collar (6pcs)		
27	Pan head screw M4 x 40mm (2pcs)		
28	Pan head screw M5 x 40mm (2pcs)		
29	Pan head screw M6 x 40mm (2pcs)		
30	Pan head screw M8 x 40mm (2pcs)		
31	Pan head screw M8 x 40mm (2pcs)		

## 5.1.2 AUDIO- OPTI-SERVE SPARE PARTS LIST



ITEM NO.	PART DESCRIPTION	IV CODES
I	U Sound Bar DOLBY ATMOS Audio & Metal Bracket(3pcs) (pre-fixed)	IV 000047
II	Woofer 4 inch DOLBY ATMOS Audio- rsr (pre-fixed)	IV 000052
III	Surround Speaker & Flat Metal Bracket(2pcs) DOLBY ATMOS Audio- rsr (pre-fixed)	IV 000049
IV	Amplifier 180W communicate cord x 1.2m + 4 cable long clip DOLBY ATMOS Audio- rsr (pre-fixed)	IV 000045
V	Woofer 4 inch cable x 1.6m DOLBY ATMOS Audio- rsr (pre-fixed)	IV 000054
VI	Surround speaker cable x 4m DOLBY ATMOS Audio- rsr (RED / BLUE) (pre-fixed)	IV 000051 / IV 000055
VII	Woofer tube D43 x 180mm DOLBY ATMOS Audio- rsr (pre-fixed)	IV 000053
VIII	Amplifier 180W DOLBY ATMOS Audio- rsr (pre-fixed)	IV 000044
IX	IR remote control DOLBY ATMOS Audio- rsr	IV 000056
X	Power AC Cord Amplifier DOLBY ATMOS Audio- rsr (1pc)	IV 000058
XI	HDMI cable 2.0m DOLBY ATMOS Audio- rsr (1pc)	IV 000046

# SPECIFICATIONS

## SPECIFICATION-TV MECHANISM

FEATURE	Wireless Remote Control-TV LIFT MECHANISM
INPUT	100V-240V~ 50/60Hz 1500mA
OUTPUT	29V --- 2A
DUTY CYCLE	MAX 10% ; MAX 2 min / 18 min
BATTERY (WIRELESS REMOTE CONTROL)	Size: AAA - Ø10.5 X T44.5mm - Spec.: 1.5V

## SPECIFICATION-5.1.2 CH DOLBY ATMOS

<b>System Section</b>	Power Supply	100-240V ~ 50/60Hz
	Power Consumption	30 W
	Power Consumption of Standby	< 0.5 W
	Impedance	8Ω x 6 + 4Ω
	Audio input sensitivity	500mV
	Frequency Response	120Hz - 20KHz
<b>MAX Output Power by speaker</b>	Total	180W
	Soundbar	15W x 2 + 30W
	Up Firing	15W x 2
	Surround	15W x 2
	Subwoofer	30W x 2
<b>Bluetooth</b>	Version / profiles	V 4.2 (A2DP, AVRCP)
	Maximum power transmitted	≤ 5 dBm
	Frequency bands	2400 MHz ~ 2483.5 MHz
<b>Remote Control</b>	Distance / Angle IR Frequency	6m / 30°
	Battery type	2 x LRO3, 1.5V, AAA
<b>Driver Size</b>	Soundbar	1.5" x 2 + 2.5" + 2" x 4+φ20mm x 2
	Subwoofer	4" x 2
	Surround	2" x 2

\* Specification subject to change without prior notice. Measured under specific conditions.