

P.O.Number :  
Please Keep This Number For  
Future Reference  
**THIS FORMS PARTS OF  
YOUR GUARANTEE!!**

**bensons**  
for **beds**

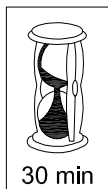


**BERGAMO USB/C CHARGING BEDFRAME 90 CM**  
**STK448502**

**Assembly Instructions**

Please keep these instructions for future reference.

**MINIMUM TWO  
PERSON ASSEMBLY**



**APPROXIMATE  
ASSEMBLY TIME**



Regrettably self-assembly items cannot be returned once assembly is part or fully completed unless the items are found to be faulty. Should you need to return the unassembled product, please repack in its original packaging.

**Important Information**

- We suggest you spend a short time reading through this leaflet and then follow the simple step-by-step instructions.
- Carefully check that you have all the parts before beginning assembly.
- Keep fixings out of children's reach and keep children well away from construction area.
- We suggest you retain these instructions for future reference.

**Product Information**

- Upholstered Bed Fabric. Conforms to BS 5852 & BS 8509:2008+A1:2011.
- This bed is intended for adults and children above 4 years old only.

**Care Instructions**

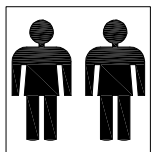
- Avoid exposing the furniture to excessive heat or direct sunlight as this can cause cracking and deterioration of the color.
- Periodically check & re-tighten any fixing.
- Periodically dust lightly with a clean soft cloth.
- Any spills should be removed immediately with a damp cloth.
- **TAKE CARE WHEN MOVING THE FURNITURE AND NEVER DRAG THE PIECES ACROSS THE FLOOR, AS THIS WILL CAUSE DAMAGE TO THE JOINTS.**



Comforms To : CE\_Double USB Type C Charger:

EN 55032:2015+A11:2020 ; EN 55035:2017+A11:2020

P.O.Number :  
Please Keep This Number For  
Future Reference  
**THIS FORMS PARTS OF  
YOUR GUARANTEE!!**

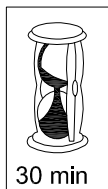


**Bergamo USB/C Charging Bedframe 90cm  
STK448502**

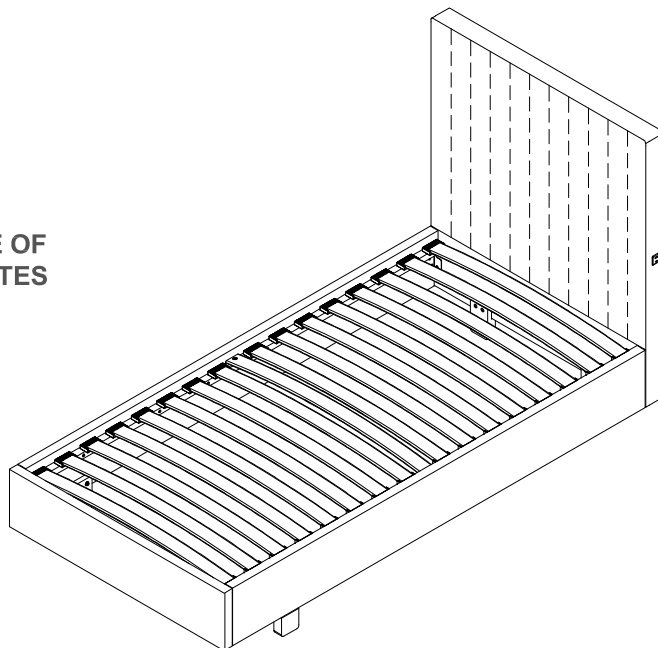
**Assembly Instructions**

Please keep these instructions for future reference.

**2 PERSON ASSEMBLY  
REQUIRED**



**APPROXIMATE TIME OF  
ASSEMBLY 30 MINUTES**



Regrettably self-assembly items cannot be returned once assembly is part or fully completed unless the items are found to be faulty. Should you need to return the unassembled product, please repack in its original packaging.

**Important Information**

- We suggest you spend a short time reading through this leaflet and then follow the simple step-by-step instructions.
- Carefully check that you have all the parts before beginning assembly.
- Keep fixings out of children's reach and keep children well away from construction area.
- We suggest you retain these instructions for future reference.

**Product Information**

- Upholstered Bed Fabric. Conforms to BS 5852 & BS 8509:2008+A1:2011.
- This bed is intended for adults and children above 4 years old only.

**Care Instructions**

- Avoid exposing the furniture to excessive heat or direct sunlight as this can cause cracking and deterioration of the color.
- Periodically check & re-tighten any fixing.
- Periodically dust lightly with a clean soft cloth.
- Any spills should be removed immediately with a damp cloth.
- **TAKE CARE WHEN MOVING THE FURNITURE AND NEVER DRAG THE PIECES ACROSS THE FLOOR, AS THIS WILL CAUSE DAMAGE TO THE JOINTS.**



Comforms To : CE\_Double USB Type C Charger:

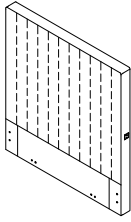
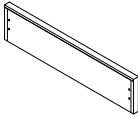
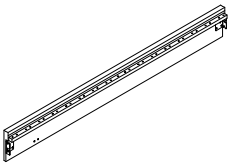
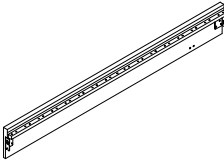
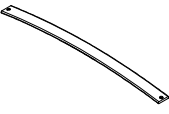
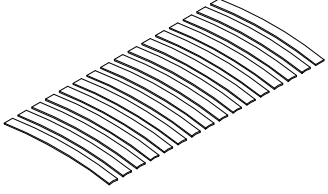
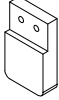


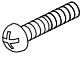

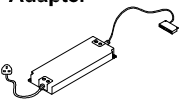
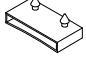
EN 55032:2015+A11:2020 ; EN 55035:2017+A11:2020

# **"IMPORTANT! KEEP FOR FUTURE REFERENCE"**

**WARNING** - Do not place this child's bed near heat sources, windows or other furniture.

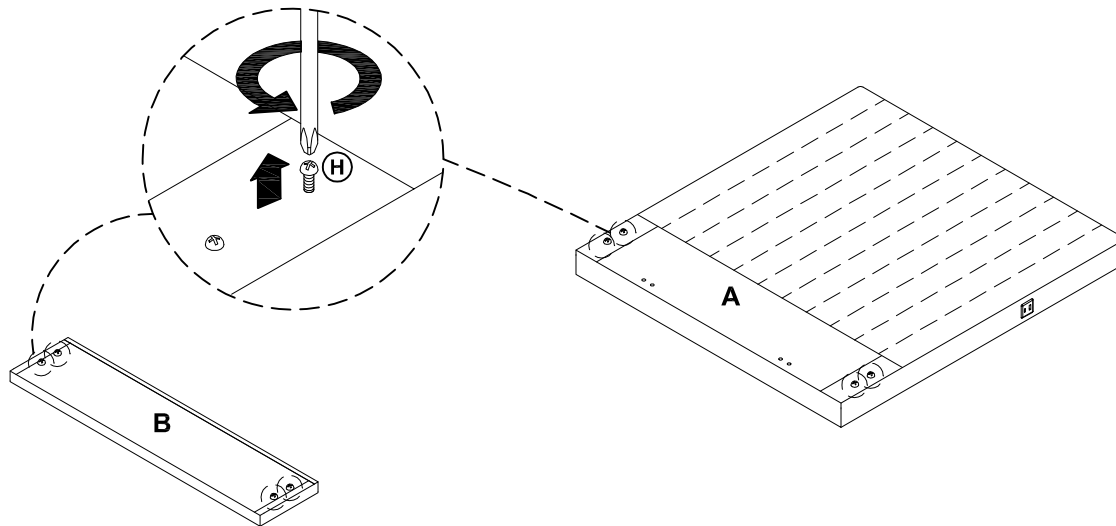
**WARNING** - Do not use this child's bed if any part is broken, torn or missing.

## Kids / 90 cm x 190 cm

| Component of Carton 1  | Component of Carton 2  |  |  |
|--|--|--|--|
| <p>(A) Headboard x 1</p>                                      | <p>(B) Footboard x 1</p>                     | <p>(C) Side Rail (L) x 1</p>                    |  |
| Component of Carton 3  | <p>(D) Side Rail (R) x 1</p>                 | <p>(E) Tie Rail x 1</p>                         |  |
| <p>(G) Slat x 16</p>    | <p>(F) Leg x 4</p>                            | <div style="border: 1px solid black; padding: 5px; display: inline-block;">Hardware Bag</div>                                      |  |
| Hardware List (in Carton 1)  |  |  |  |
| <p>(H) M8 x 25mm x 4 (Pre-Installed)</p>  <p>(Carton 1)</p> |  |  |  |
| Hardware List (in Carton 2)  |  |  |  |
| <p>(H) M8 x 25mm x 6 (Pre-Installed)</p>  <p>(Carton 2)</p> | <p>(I) M8 x 30mm x 8</p>  <p>(Carton 2)</p> | <p>(J) Screw Driver x 1</p>  <p>(Carton 2)</p> | <p>(K) Power Adapter x 1</p>  <p>(Carton 2)</p> |
| Hardware List (in Carton 3)  |  |  |  |
| <p>(M) End Cap x 32</p>  <p>(Carton 3)</p>                  |  |  |  |

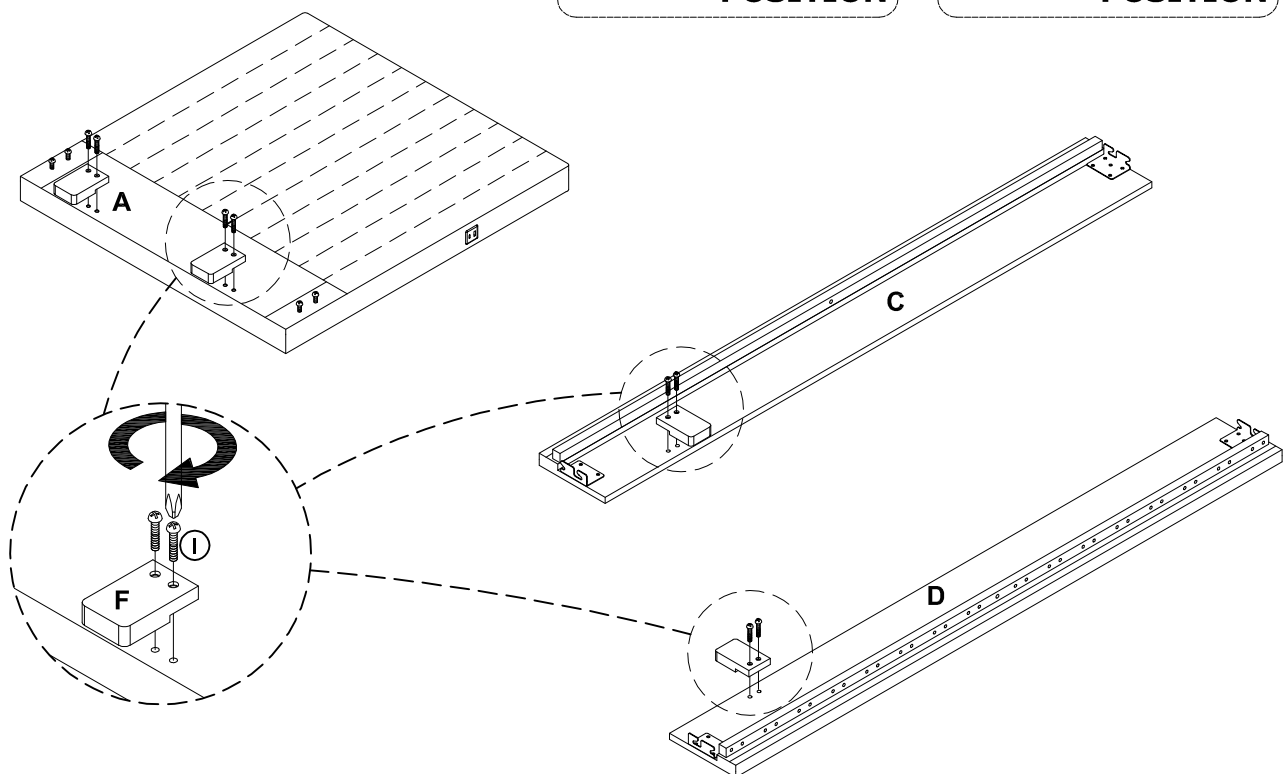
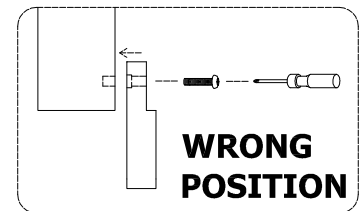
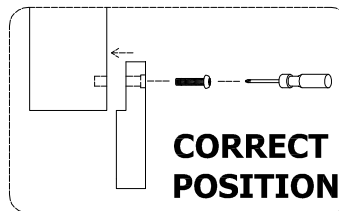
## Step 1

- Loosen side rail attachment bolts from head and foot ends.
- Please note these bolt should only be loosened and NOT removed.



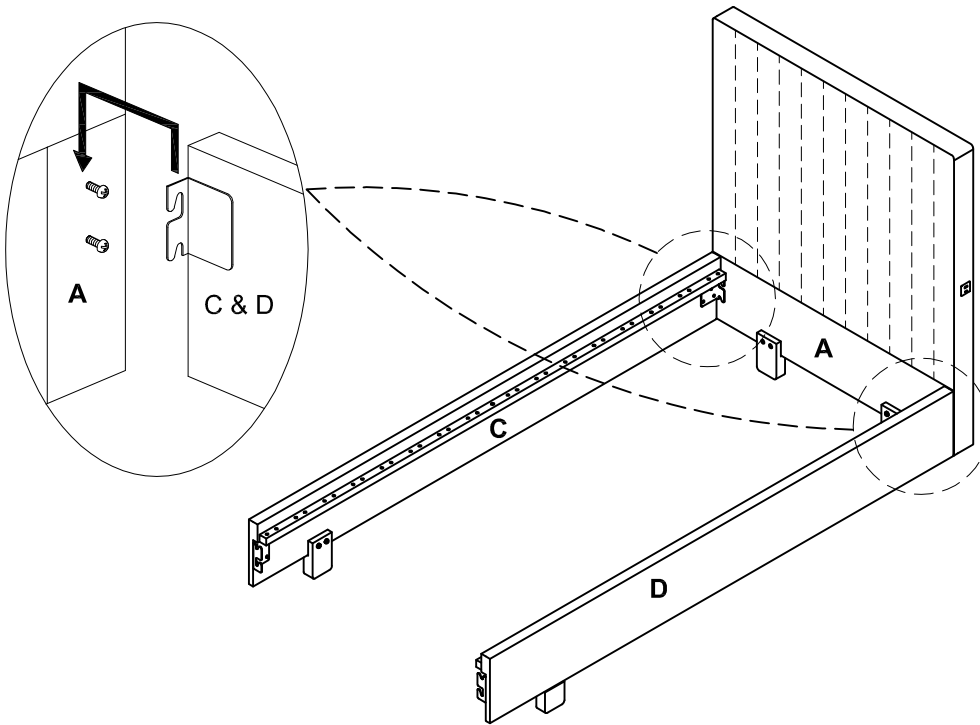
## Step 2

- Attach the leg to the head end and side rail using the provided bolts.
- Fully tighten all screw.



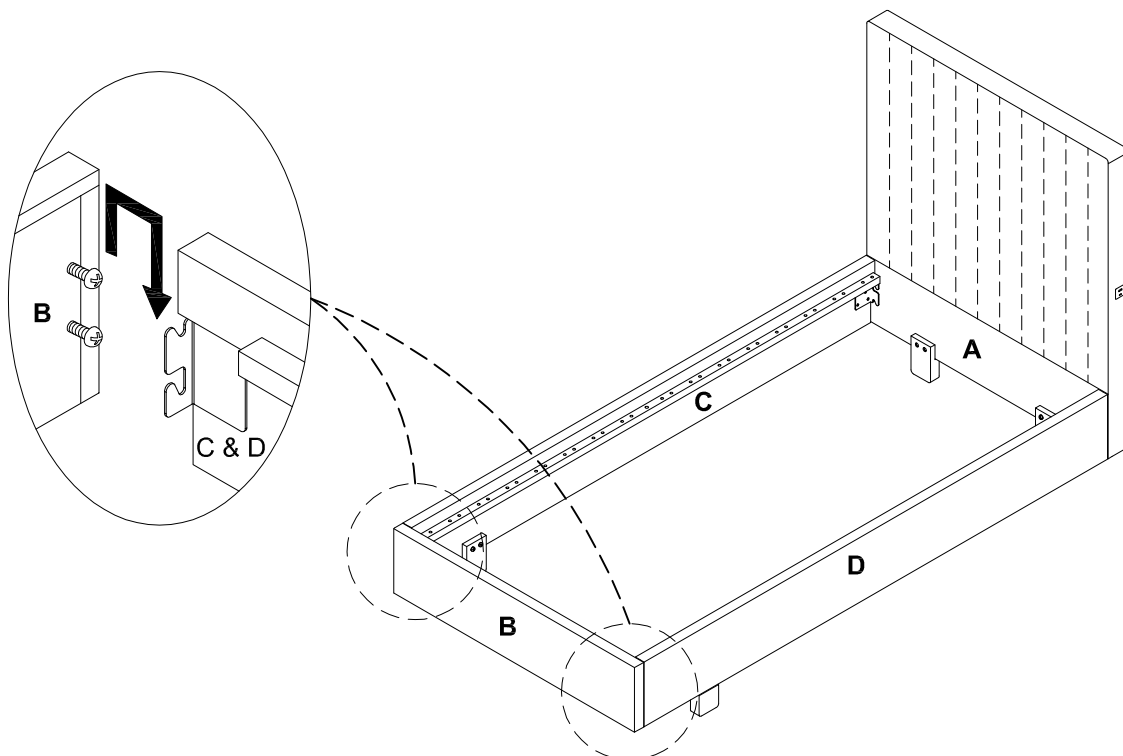
### Step 3

- Hook the side rail over the bolts as shown.
- Repeat the action on the opposite side.



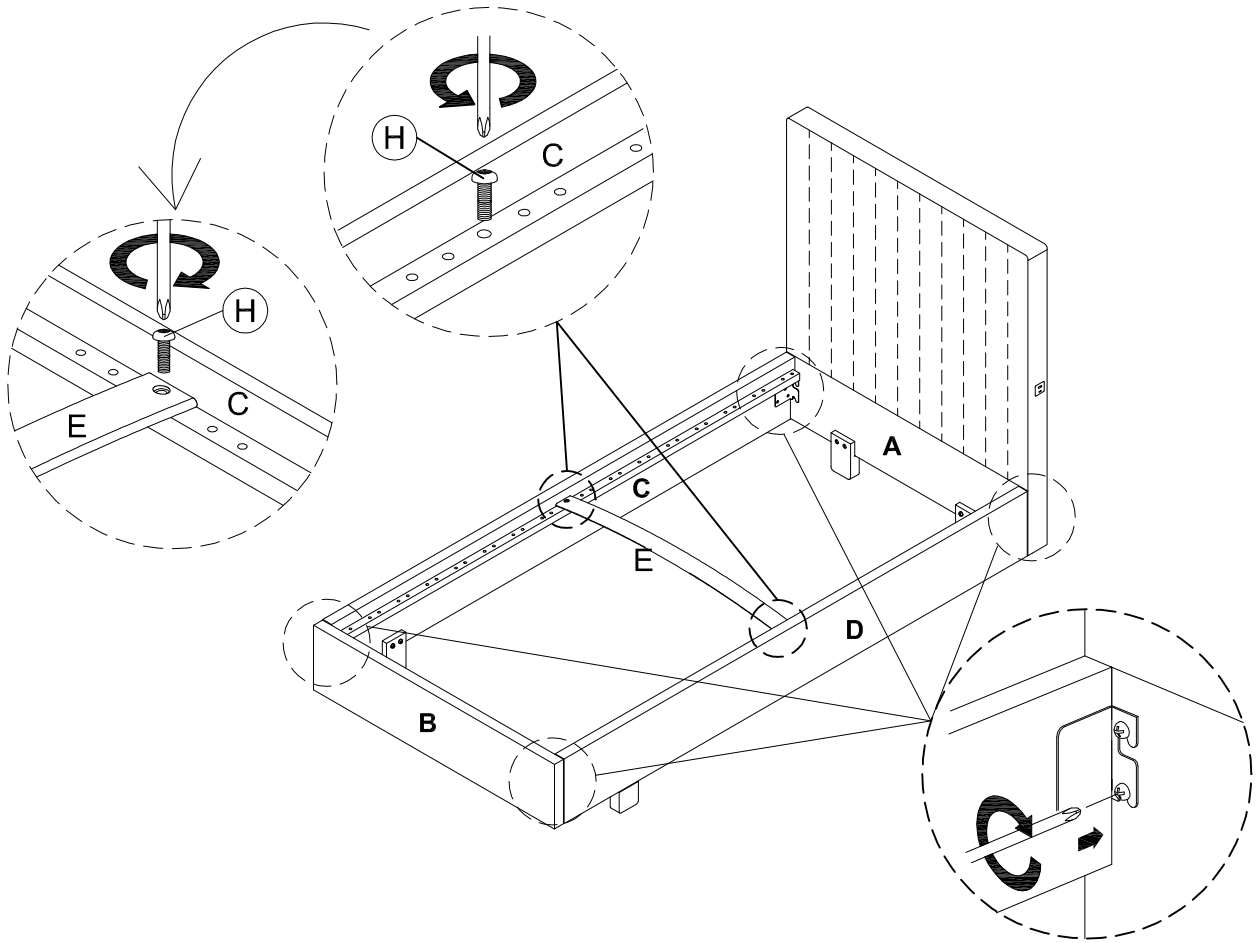
### Step 4

- Attach foot end to the side rail as shown.



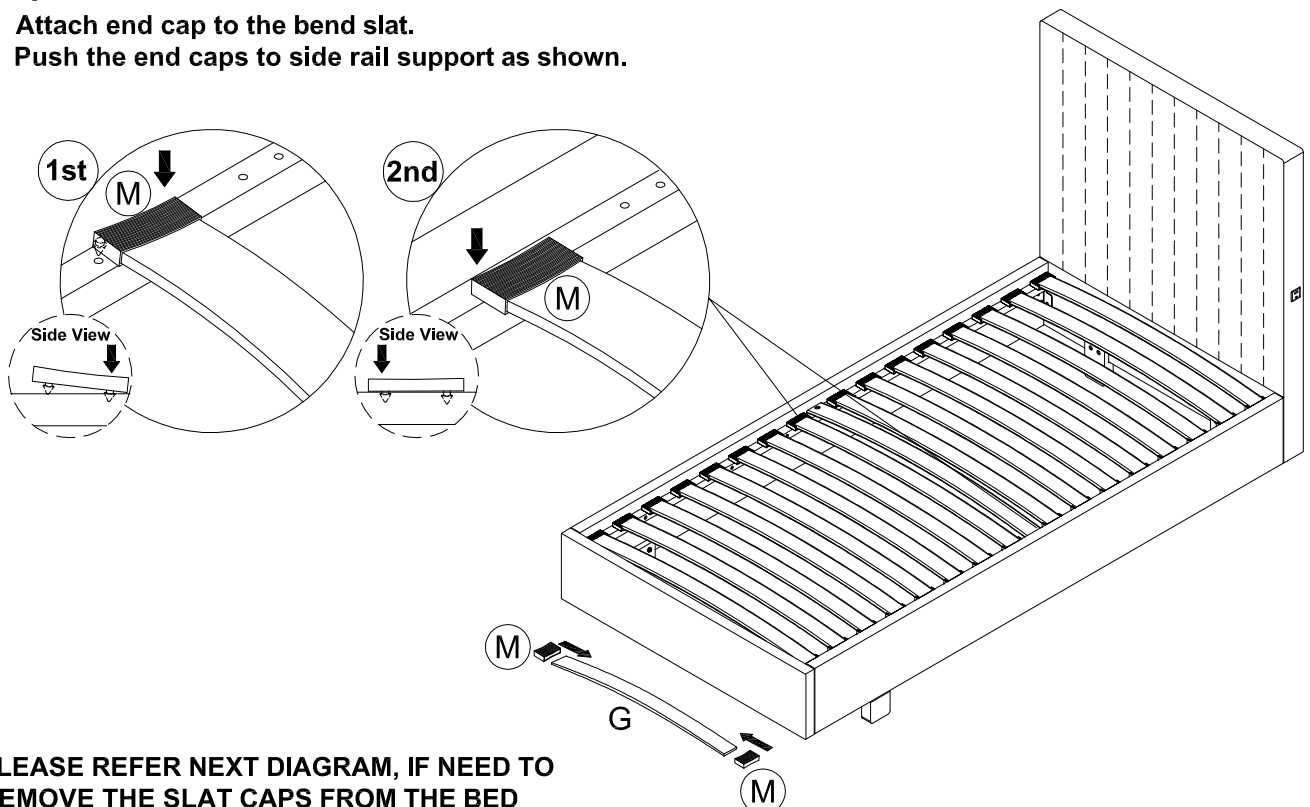
## Step 5

- Remove the bolts from the side rail as shown.
- Attach tie rail to side rail using bolts as shown.
- Fully tighten all the bolts on head and foot ends.



## Step 6

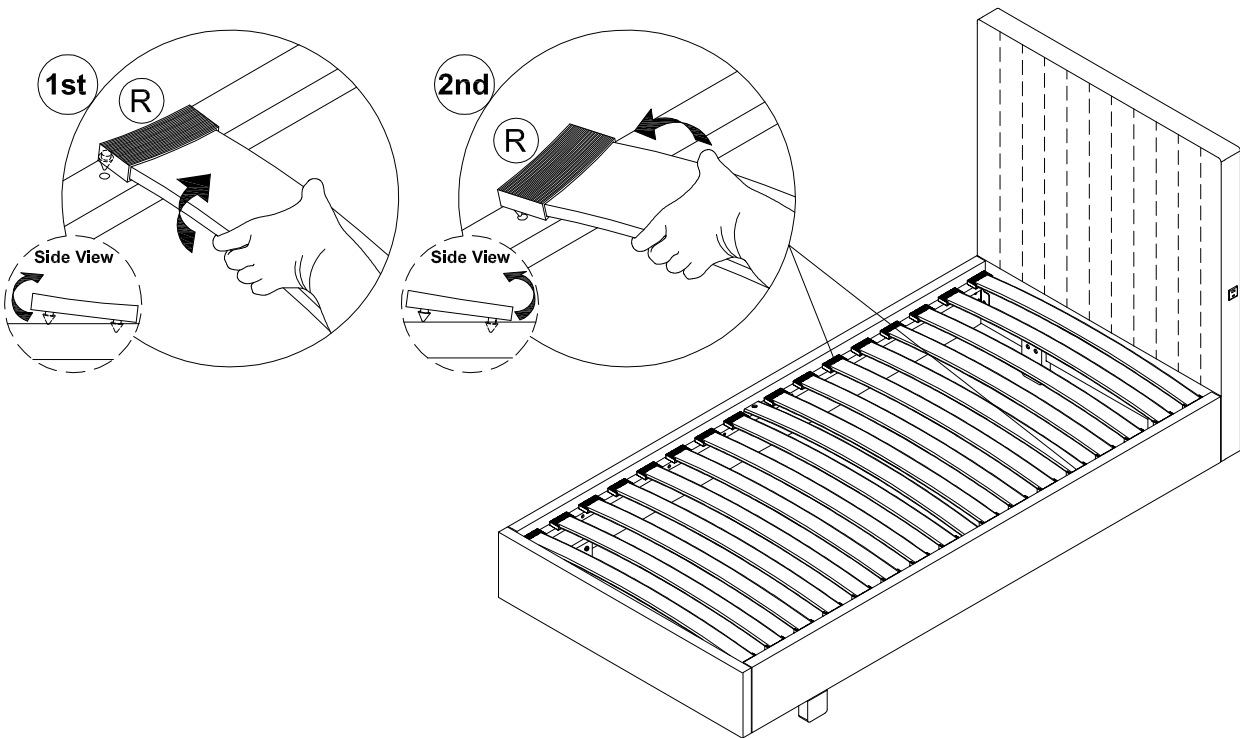
- Attach end cap to the bend slat.
- Push the end caps to side rail support as shown.



\* PLEASE REFER NEXT DIAGRAM, IF NEED TO REMOVE THE SLAT CAPS FROM THE BED

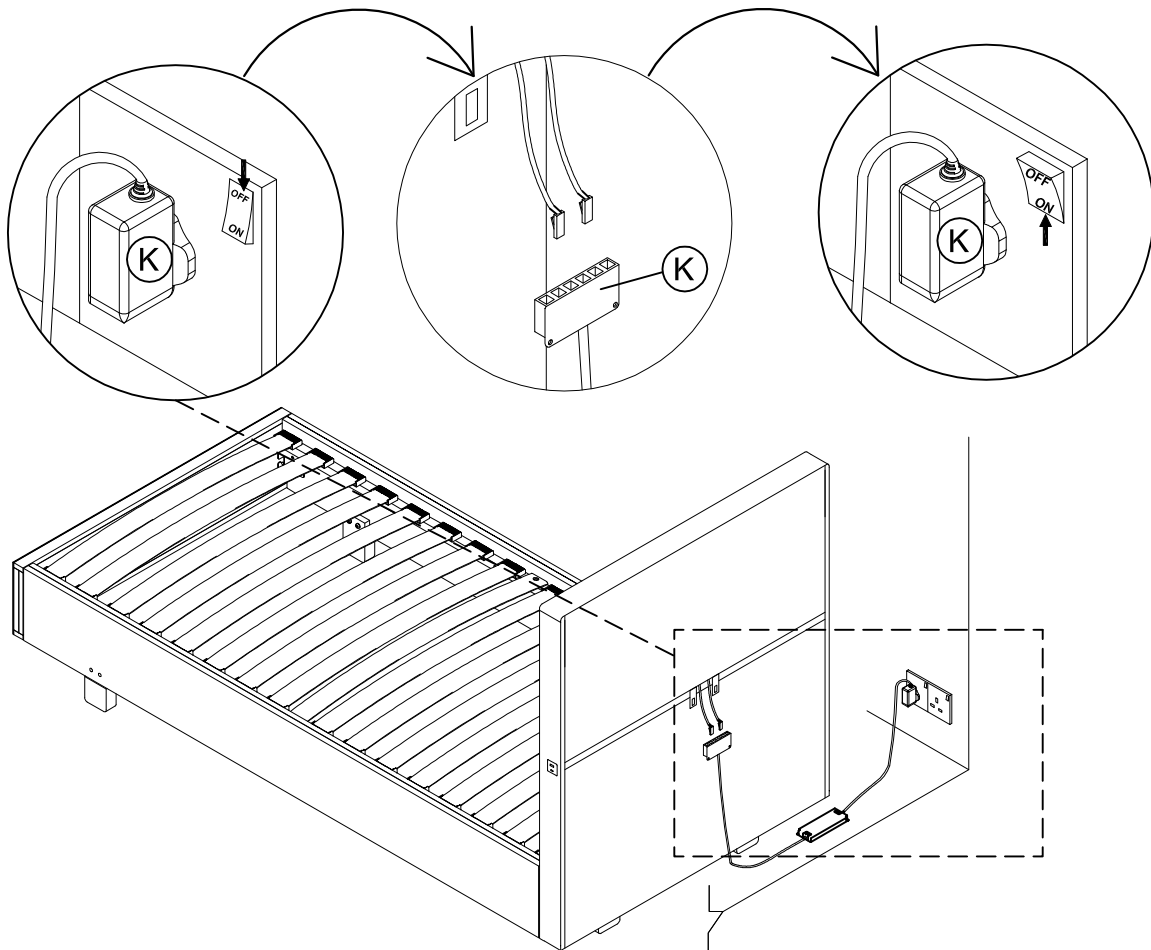
## (DISMANTLE THE SLAT CAP)

- Remove both end cap from side rail support as shown.

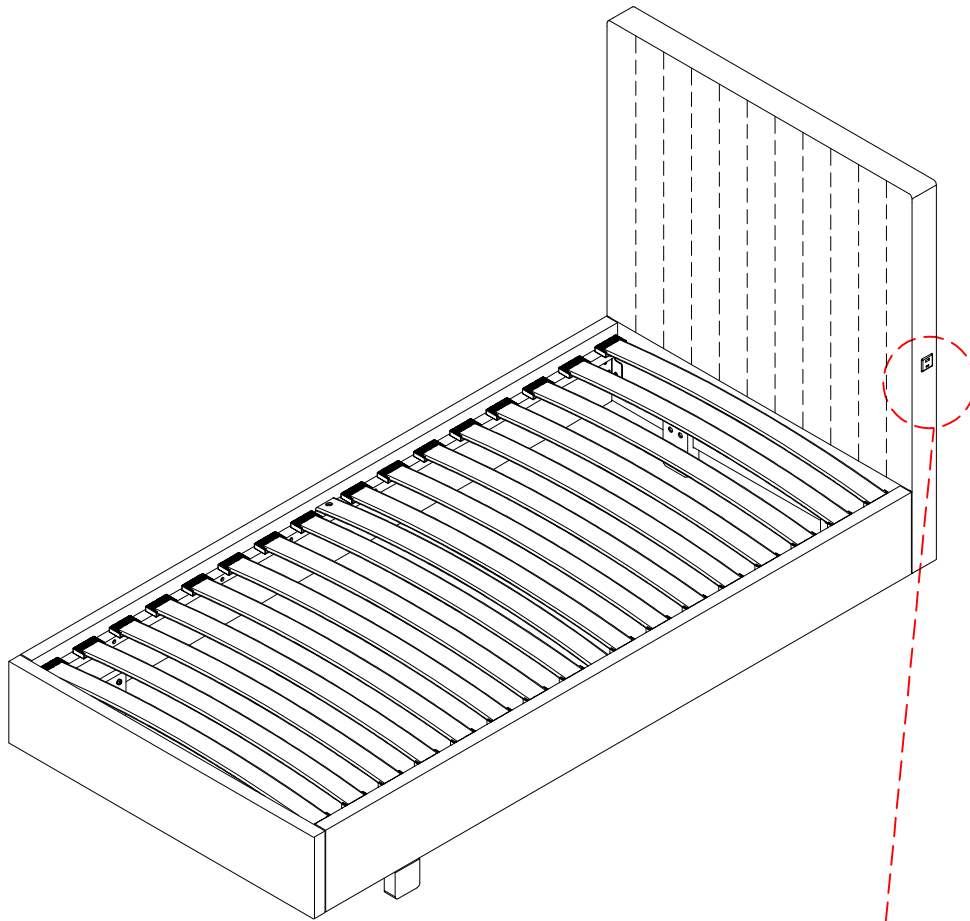


## Step 7

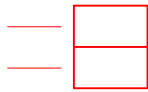
- Ensuring that the power supply is off.
- Connect the USB charger cable to the power adapter as shown.
- Switch on the power supply.



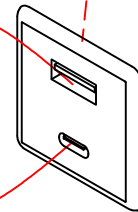
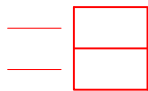




Power Bank  
Laptop



Power Bank  
Laptop



**Precaution:- Do Not Insert more than ONE gadget or high power device into USB connector to prevent overloading.**

- 1. Please monitor the device under charge, if the device does get hot stop using charger immediately.**
- 2. Ensure that device being charged are free of moisture and the charging cable is in good condition.**
- 3. Please refer to respective device user manual to seek the suitability of charging method.**

# TROUBLE SHOOTING

- The USB socket does not charge a USB device.

| Questions  | Answer                    | Corrections  |
|--|---------------------------|--|
| Is there a 'Blue circular power LED light' illuminated at the USB charge socket, when a device is connected to it? | Yes -----<br><br>No ----- | * If the blue LED light is illuminated- this means the USB charge socket is functional and distributing power up to 1amps at 5 volts.<br>* Please try an alternative device and charge cable.<br><br>* <b>Please check/ ensure</b><br>1. The power adaptor plug (K) is firmly connected to a working 'switched on' mains 240v power supply. (See page 6 for detail)<br>2. The connector of the USB charger is firmly connected to the 6 way socket. (See page 6 for detail)<br>3. The USB power cable is working & the device is able to take a charge (test cable and device in an alternative charge point)<br>* All steps have been followed and the issue still remains, please contact (01462600064) with purchase information. |

## SPECIFICATION

|        |                                       |
|--------|---------------------------------------|
| MODEL  | POWER ADAPTOR - 6WAY SOCKET - UK PLUG |
| INPUT  | 90~240V AC50/60Hz                     |
| OUTPUT | 12V DC MAX 60W                        |

|        |   |
|--------|---|
| MODEL  | DOUBLE USB TYPE C CHARGER                                 |
| INPUT  | 12V DC  |
| OUTPUT | USB TYPE A & TYPE C PORT DC OUTPUT = 5V/3A, 9V/2A, 12V/2A |

## ATTENTION! PLEASE NOTE:

In the event you are experiencing any technical difficulties and you require additional assistance/ support with your product 'Mechanical/ Electrical' function - Please contact:

SUPPORT EMAIL: [support@bssbfurnitureinnovation.com](mailto:support@bssbfurnitureinnovation.com)

UK PRODUCT SUPPORT HOTLINE : 01462600064

Contact your retailer for all other issues such as damage, missing or faulty components ( non electrical ) or anything else of a non technical/electrical nature.