

Stompa® Classic Compact Bunk Bed 141 cm

Assembly Instructions - Please keep for future reference

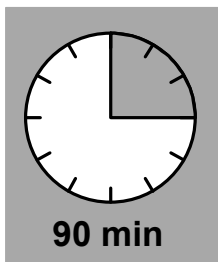
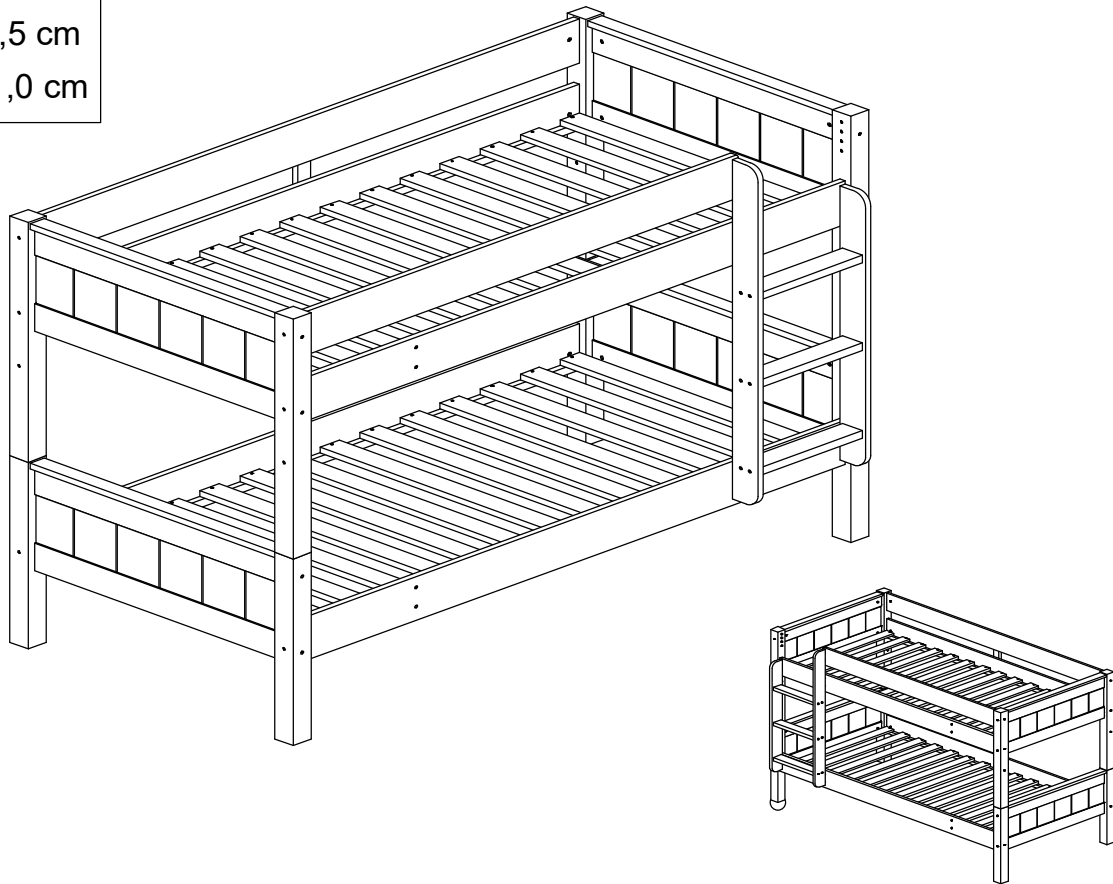
STK787801/02

Dimensions

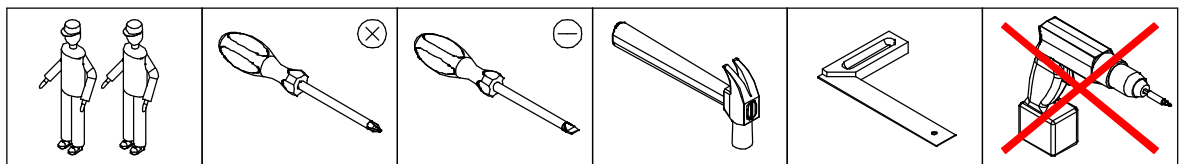
Length - 202,8 cm

Depth - 106,5 cm

Height - 141,0 cm



- | | |
|--|-------------------------------------|
| (D) <i>Montageanleitung instructions</i> | (GB) <i>Assembly instructions</i> |
| (NL) <i>Handleiding voor de montage</i> | (PL) <i>Instrukcja montażu</i> |
| (TR) <i>Montaj talimatı</i> | (RU) <i>Инструкция по монтажу</i> |
| (FR) <i>Notice de montage</i> | (IT) <i>Istruzioni di montaggio</i> |
| (CS) <i>Montážní návod</i> | (SK) <i>Návod na montáž</i> |
| (HU) <i>Szerelési útmutató</i> | (RO) <i>Instrucțiuni de montaj</i> |



Important – Please read these instructions fully before starting assembly

If you need help or have damaged or missing parts, call the Customer Helpline: **0330 1241100**
E-mail: enquiries@bensonsforbeds.co.uk

Safety and Care Advice

Important – Please read these instructions fully before starting assembly

- Check you have all the components and tools listed on pages 2.
- Remove all fittings from the plastic bags and separate them into their groups.
- During assembly children should be kept away from the product due to possible risk of injury.
- Make sure you have enough space to layout the parts before starting.

- Do not stand or put weight on the product, this could cause damage.
- Assemble the item as close to its final position (in the same room) as possible.
- Assemble on a soft level surface to avoid damaging the unit or your floor.
- Parts of the assembly will be easier with 2 people.
- Do not use this item if any components are missing or damaged



- We do not recommend the use of power drill/drivers **for inserting screws**, as this could damage the unit. Only use hand screwdrivers.
- Dispose of all packaging carefully and responsibly.
- Assembly to be carried out by a competent adult only.

Care and maintenance

- Only clean using a damp cloth and mild detergent, do not use bleach or abrasive cleaners.
- Regularly check all fastenings to ensure that they properly tightened.
- This product should not be discarded with household waste. Take to your local authority waste disposal centre.

IMPORTANT - READ CAREFULLY -RETAIN FOR FUTURE REFERENCE

ASSEMBLY:

Always follow the manufacturer's instructions. Current legislation requires that the high bed / bunk bed must be fitted with 4 safety-rails and a ladder or platform for the upper bunk.

The high bed / bunk bed meets the European EN 747:2012 A1:2015 standards for security and durability.

MATTRESS:

This bed is designed to use a mattress size 190 cm long and 90 cm wide. The total thickness must not exceed 15,0 cm. The mattress top must not pass the marking on the ladder / the post for the safety-rail.

WARNING:

High beds and the upper bed of bunk beds are not suitable for children under six years due to the risk of injury from falls. Bunk beds and high beds can present a serious risk of injury from strangulation if not used correctly. Never attach or hang items to any part of the bunk bed that are not designed to be used with the bed, for example, but not limited to ropes, strings, cords, hooks, belts and bags.

Children can be become trapped between the bed and the wall, a roof pitch, the ceiling, adjoining pieces of furniture (e.g. cupboards) and the like. To avoid risk of serious injury the distance between the top safety barrier and the adjoining structure shall not exceed 75 mm or shall be more than 230 mm.

Do not use the high bed / bunk bed if any structural part is broken or missing.

MAINTENANCE INSTRUCTIONS:

Check regularly that all assembly fastenings are properly tightened.

Ventilation of the room is necessary in order to keep the humidity low and to prevent mould in and around the bed.

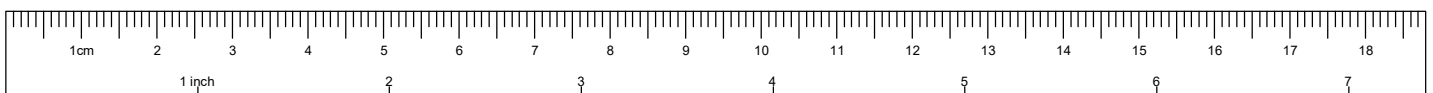
Components - Fittings

Please check you have all the fittings listed below

Note: The quantities below are the correct amount to complete the assembly. In some cases more fittings may be supplied than are required.

Name • Nom • Nome • Naam • Nazwa • Jmeno • Nazov • Nev • Denumire • Isim • Название	
Nr. • No. • N° • Номер • Č • Sz	
Typ • Type • Tip • Tipus • Tipo • Tun	

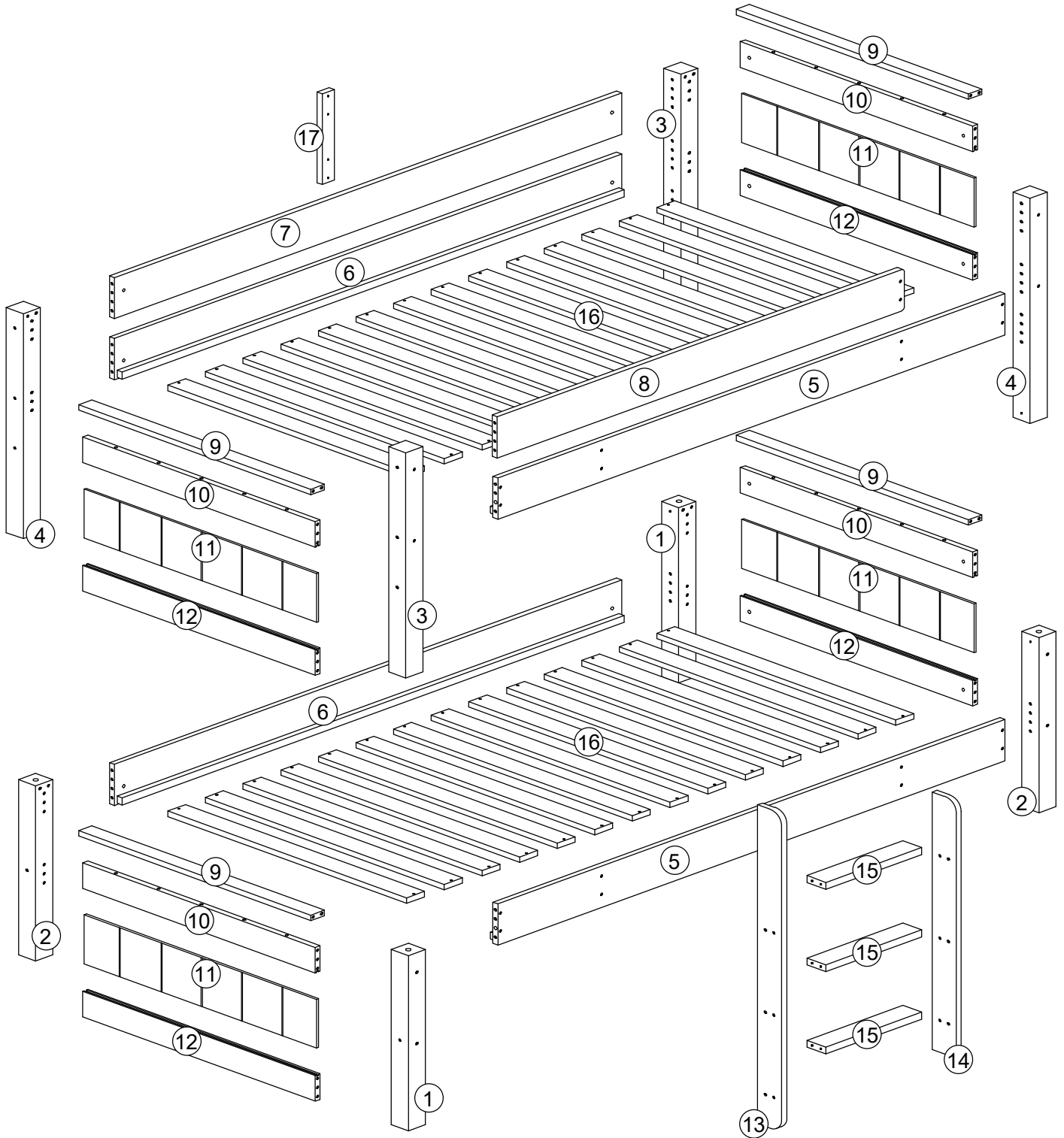
A 8x40 x100	B 16x70 x4	C M6x110 x27	D M6x10x13 x27
E 7x50 x12	F 6,3x50 x10	G 3,5x35 x64	H 3,5x30 x4
J D16 x29	K D16 x4	L D8x13 x56	M D4x13 x12
N D14x1 x28	O 4 mm x1	P 72 mm x2	R 15 g x2



Rulers - Use this ruler to help correctly identify the screws

Components - Panels

Please check you have all the panels listed below



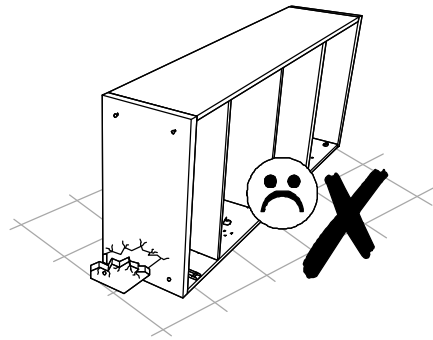
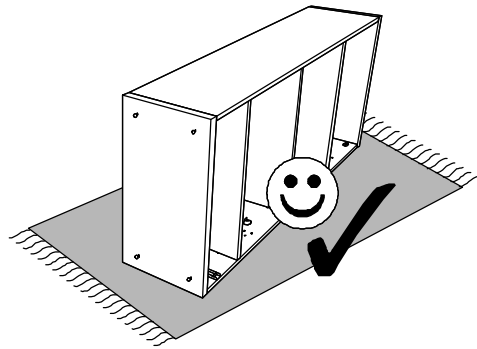
Components - Panels

Please check you have all the panels listed below

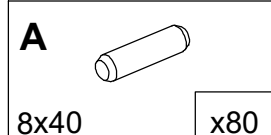
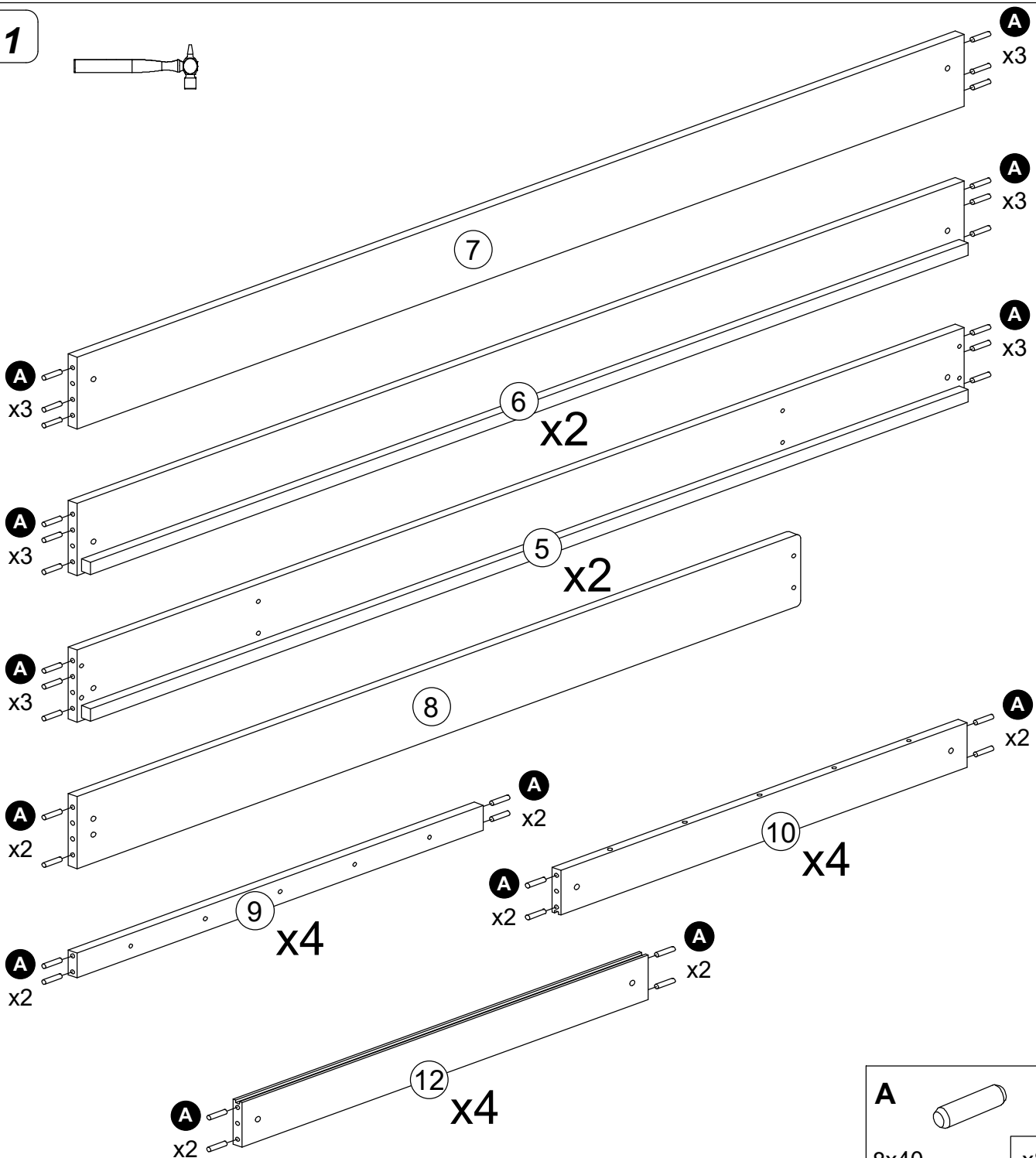
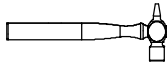
NO.	PART LIST	QTY	DIMENSION	BOX NUMBER
1.	Lower leg left	2	617 x 64 x 64 mm	1 of 3
2.	Lower leg right	2	617 x 64 x 64 mm	1 of 3
3.	Upper leg left	2	793 x 64 x 64 mm	1 of 3
4.	Upper leg right	2	793 x 64 x 64 mm	1 of 3
5.	Front bed rail	2	1900 x 145 x 38 mm	2 of 3
6.	Rear bed rail	2	1900 x 145 x 38 mm	2 of 3
7.	Rear safety rail	1	1900 x 145 x 19 mm	2 of 3
8.	Front safety rail	1	1526 x 145 x 19 mm	2 of 3
9.	Upper end rail	4	870 x 50 x 19 mm	1 of 3
10.	Middle end rail	4	870 x 90 x 19 mm	1 of 3
11.	Middle end panel	4	870 x 170 x 8 mm	1 of 3
12.	Lower end rail	4	870 x 90 x 19 mm	1 of 3
13.	Ladder side long	1	1125 x 90 x 19 mm	2 of 3
14.	Ladder side short	1	910 x 90 x 19 mm	2 of 3
15.	Step	3	360 x 70 x 23 mm	1 of 3
16.	Slats	28	910 x 68 x 17 mm	3 of 3
17.	Vertical guard rails	1	340 x 45 x 19 mm	2 of 3
18.	Fittings	1	-	1 of 3



Achtung • Attention • Attenzione • Opgelet • Uwaga • Pozor • Figyelem • Atenție •
Dikkat • Внимание

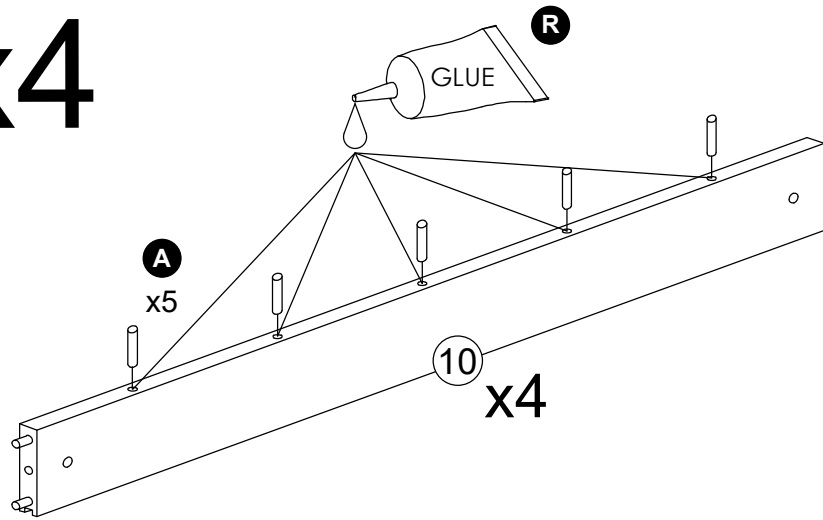


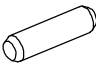

1



2

x4

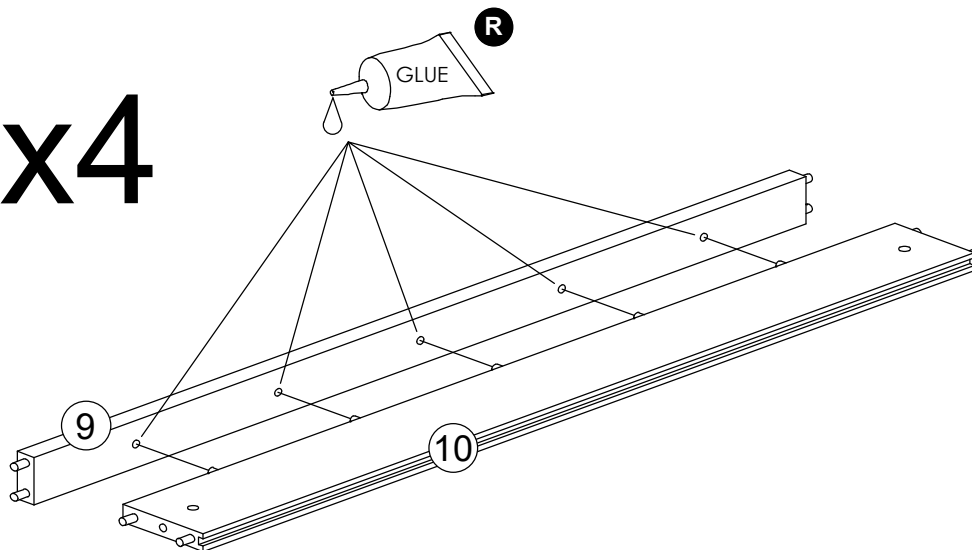



A		R	
8x40	x20	15 g	x1

3



x4

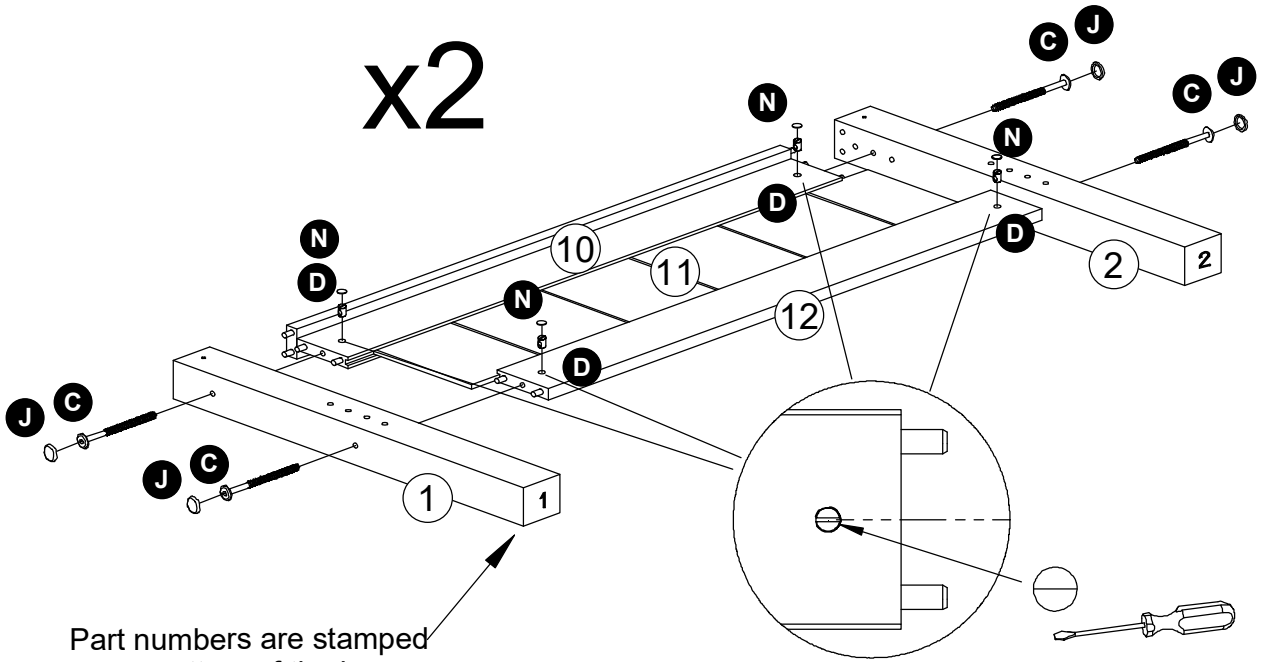


R	
15 g	x1

4



x2



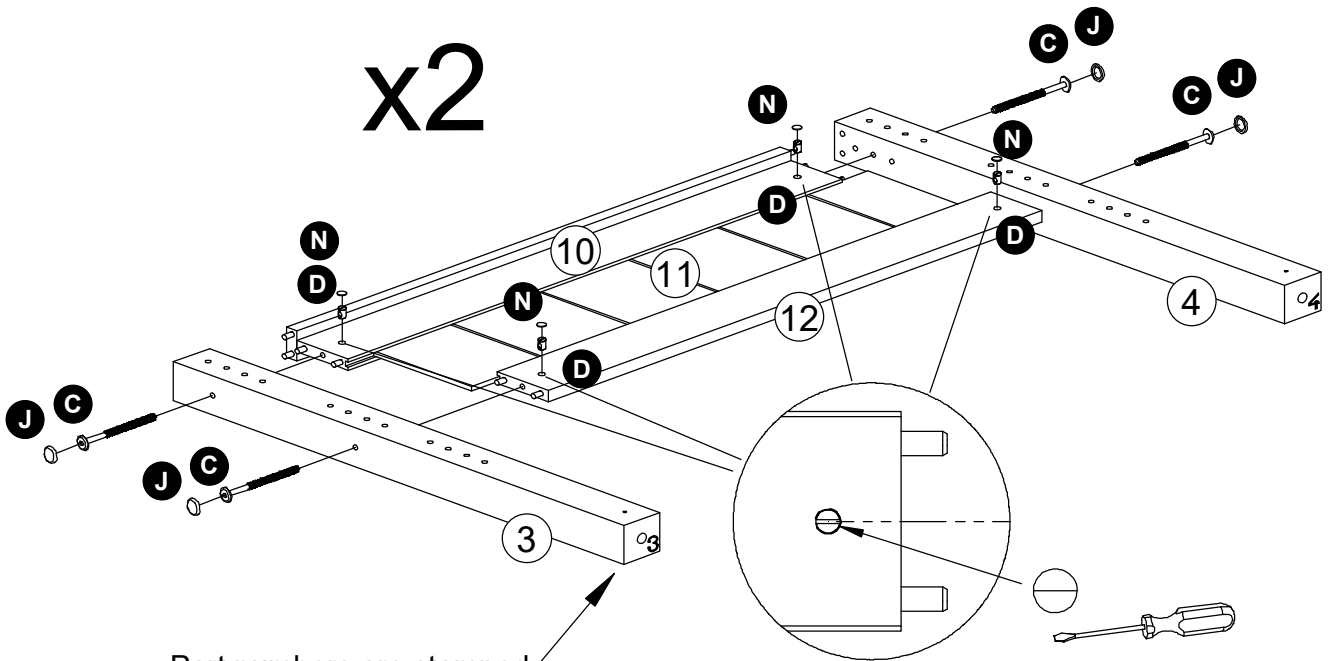
Part numbers are stamped at the bottom of the legs.

C 	D 	J 	N
M6x110	M6x10x13	D16	D14x1
x8	x8	x8	x8

5



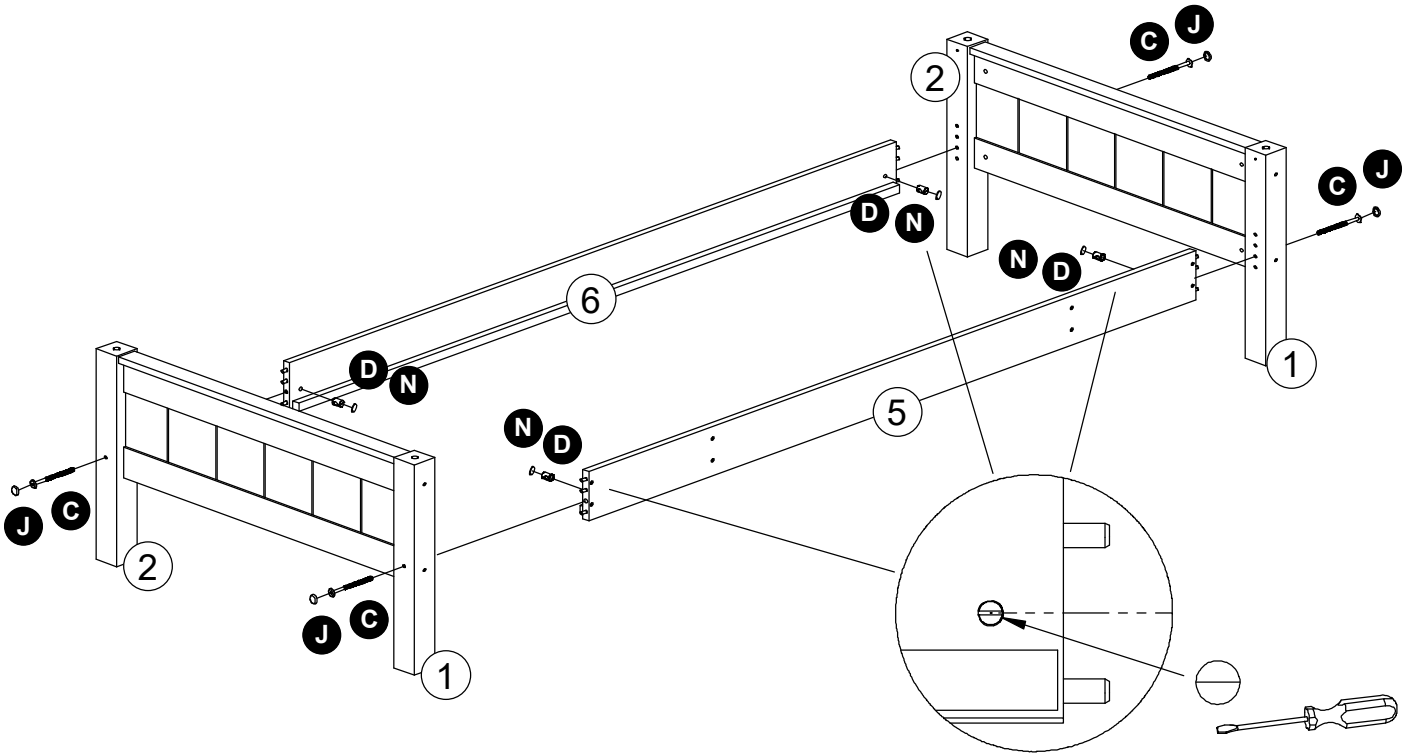
x2







Part numbers are stamped at the bottom of the legs.

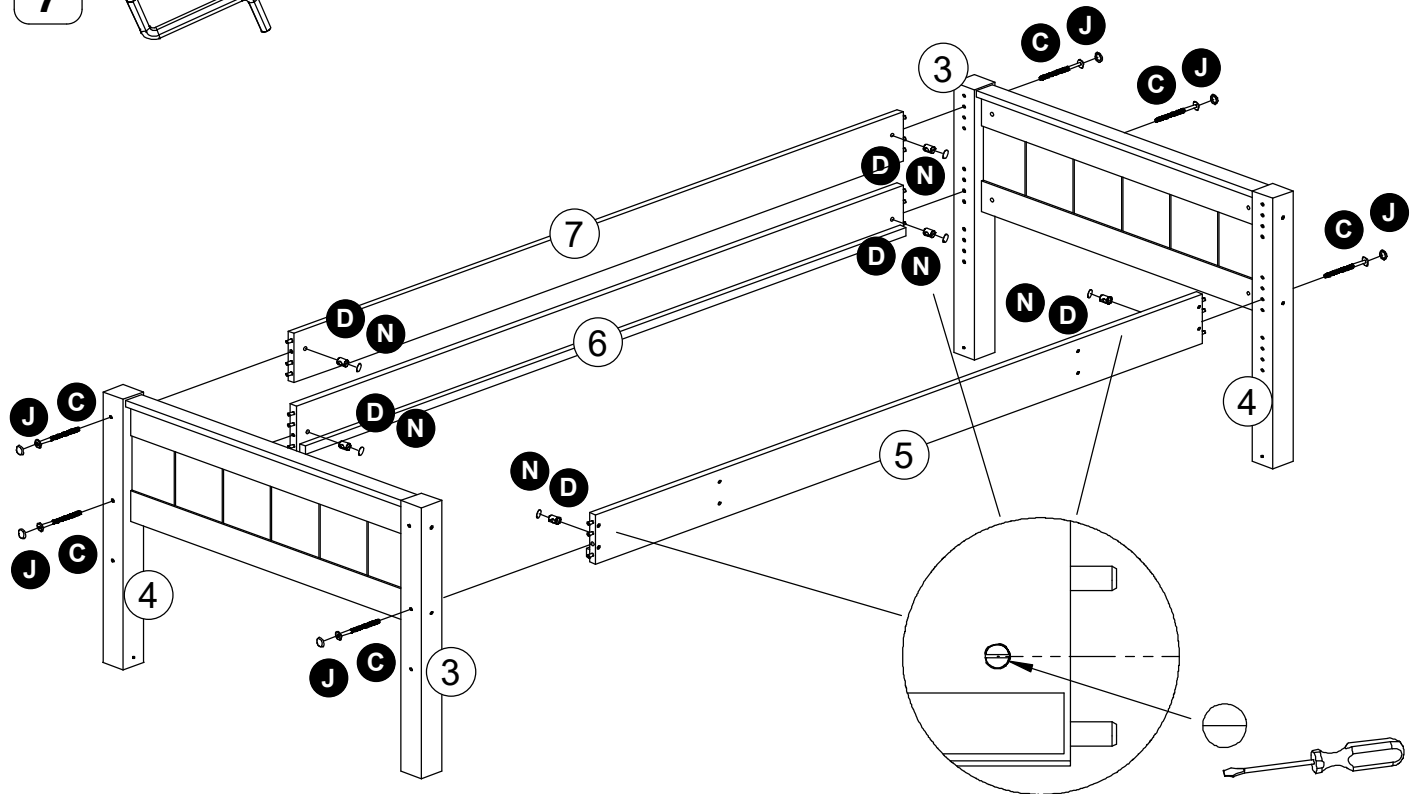
C 	D 	J 	N
M6x110	M6x10x13	D16	D14x1
x8	x8	x8	x8





6



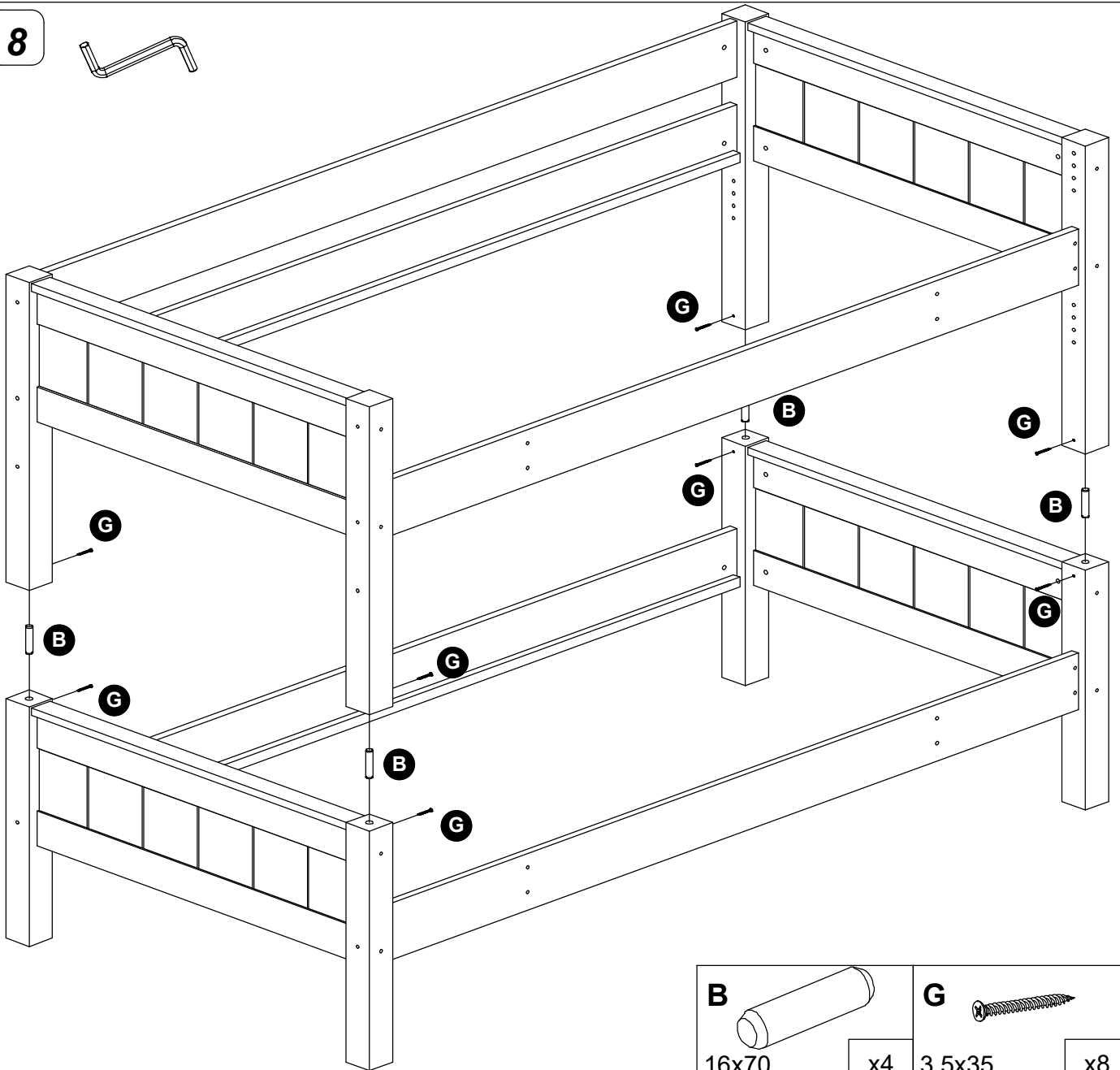
C 	D 	J 	N 
M6x110	x4	M6x10x13	x4
		D16	x4
		D14x1	x4

7



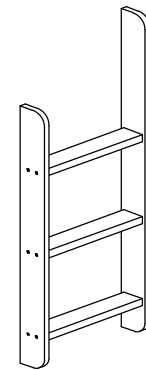
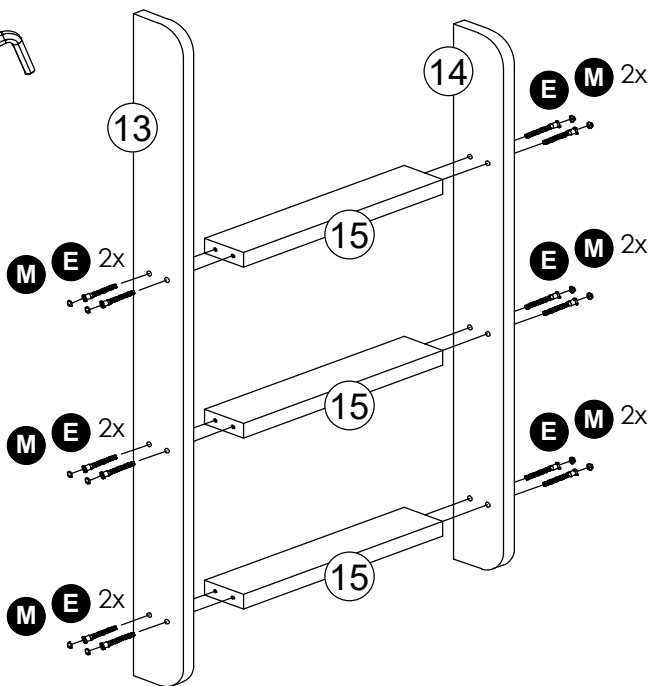
C 	D 	J 	N 
M6x110	x6	M6x10x13	x6
		D16	x6
		D14x1	x6

8

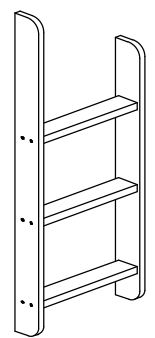


B		G	
16x70	x4	3,5x35	x8

9



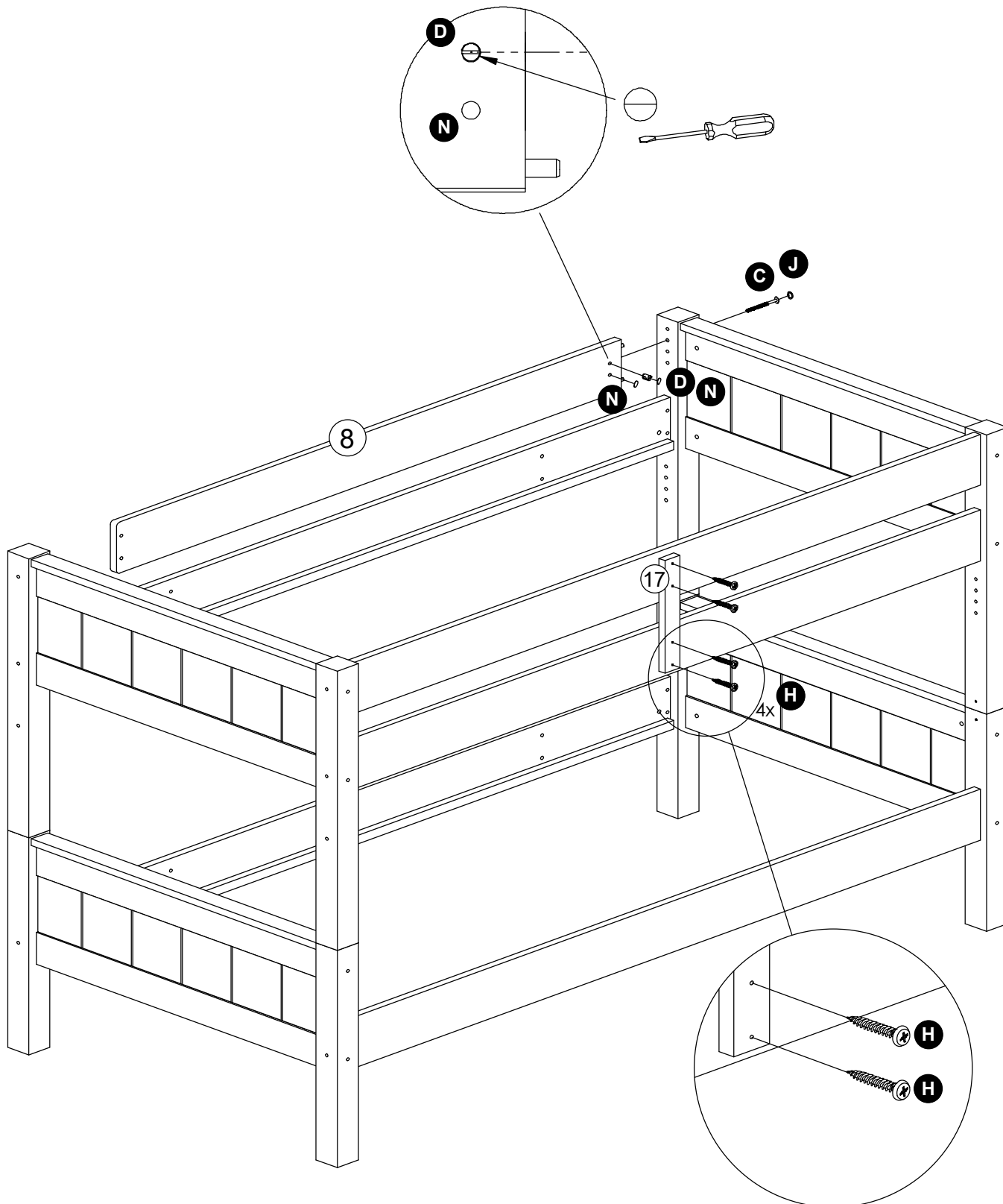
Left side ladder.








Right side ladder.

E		M	
7x50	x12	D4x13	x12

10

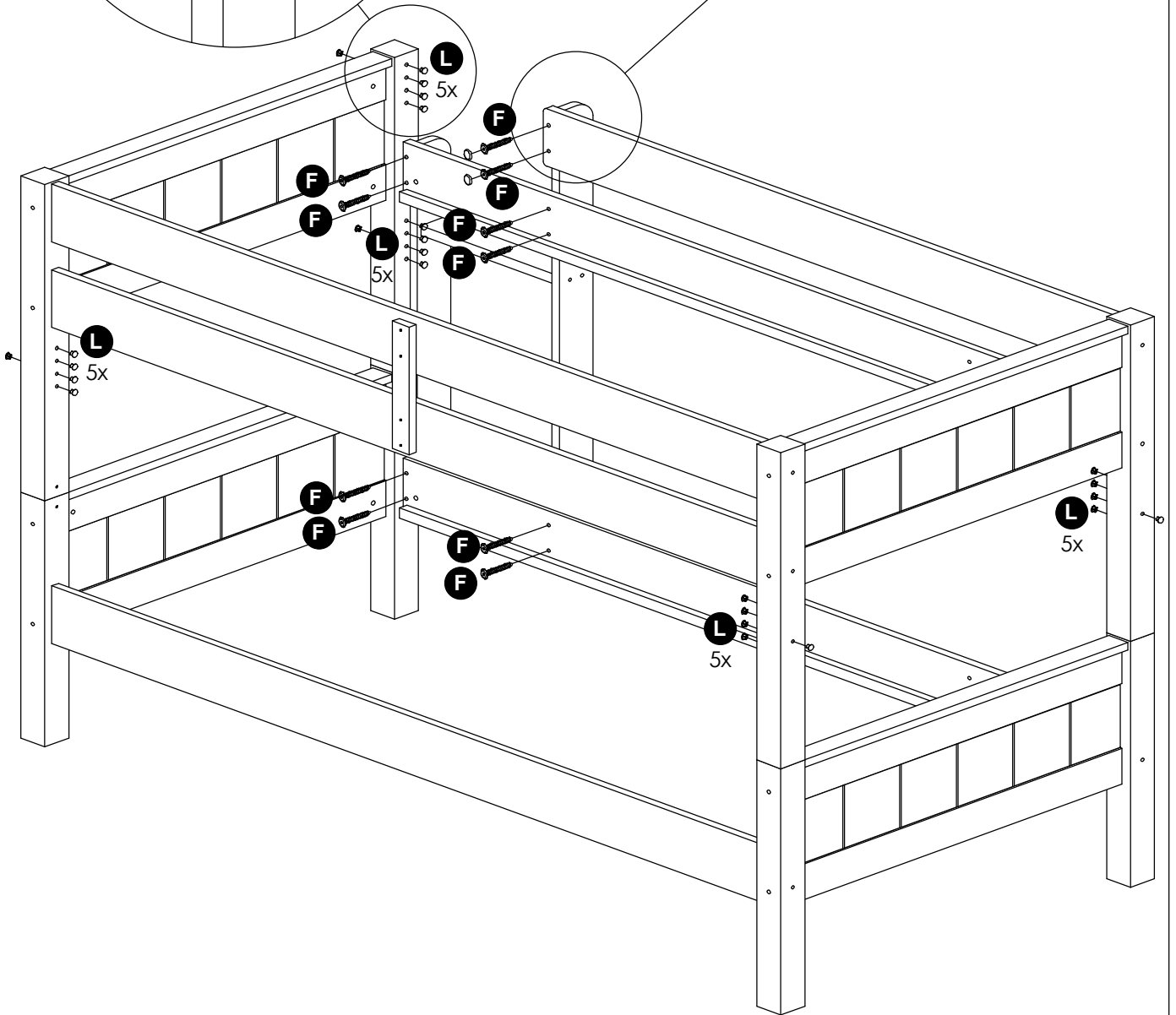
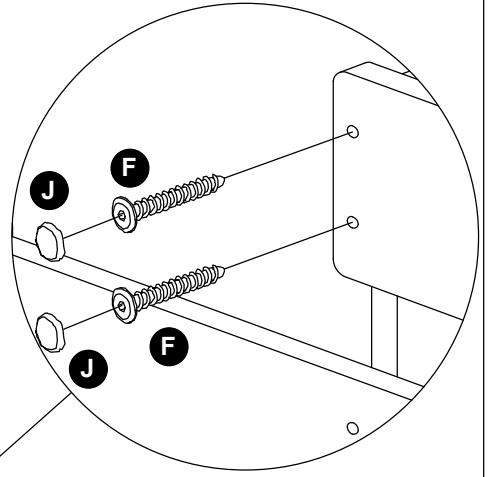
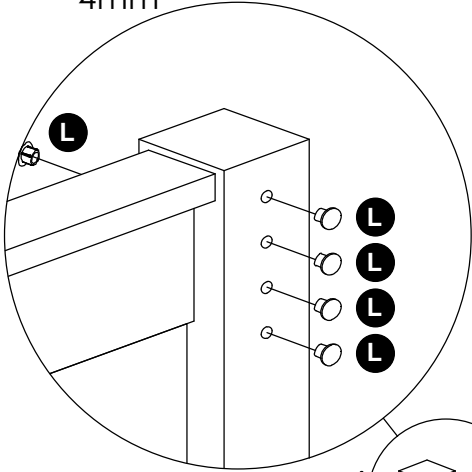





<p>C </p> <p>M6x110 x1</p>	<p>D </p> <p>M6x10x13 x1</p>	<p>H </p> <p>3,5x30 x4</p>	<p>J </p> <p>D16 x1</p>	<p>N </p> <p>D14x1 x2</p>
---	---	---	--	--

11

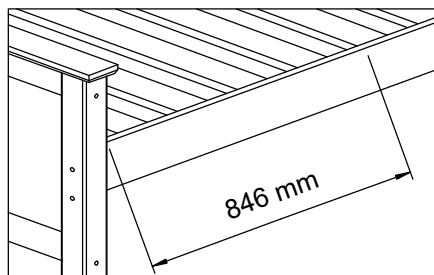
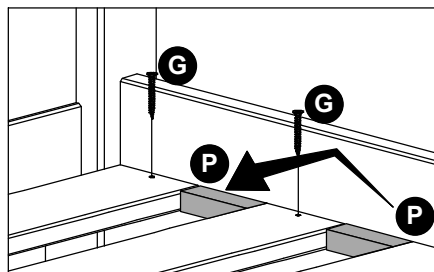
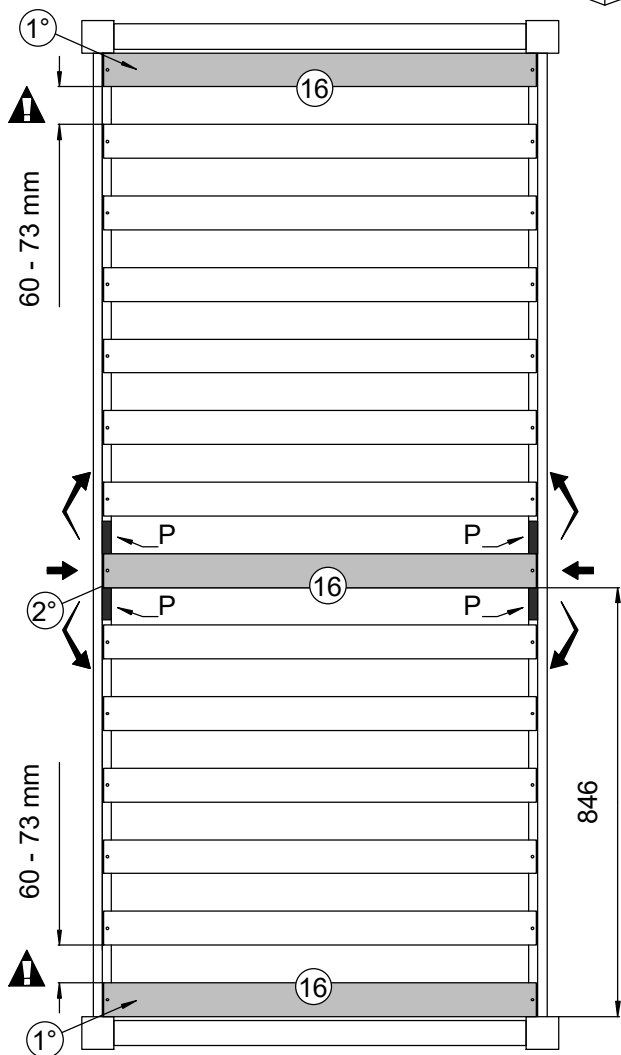
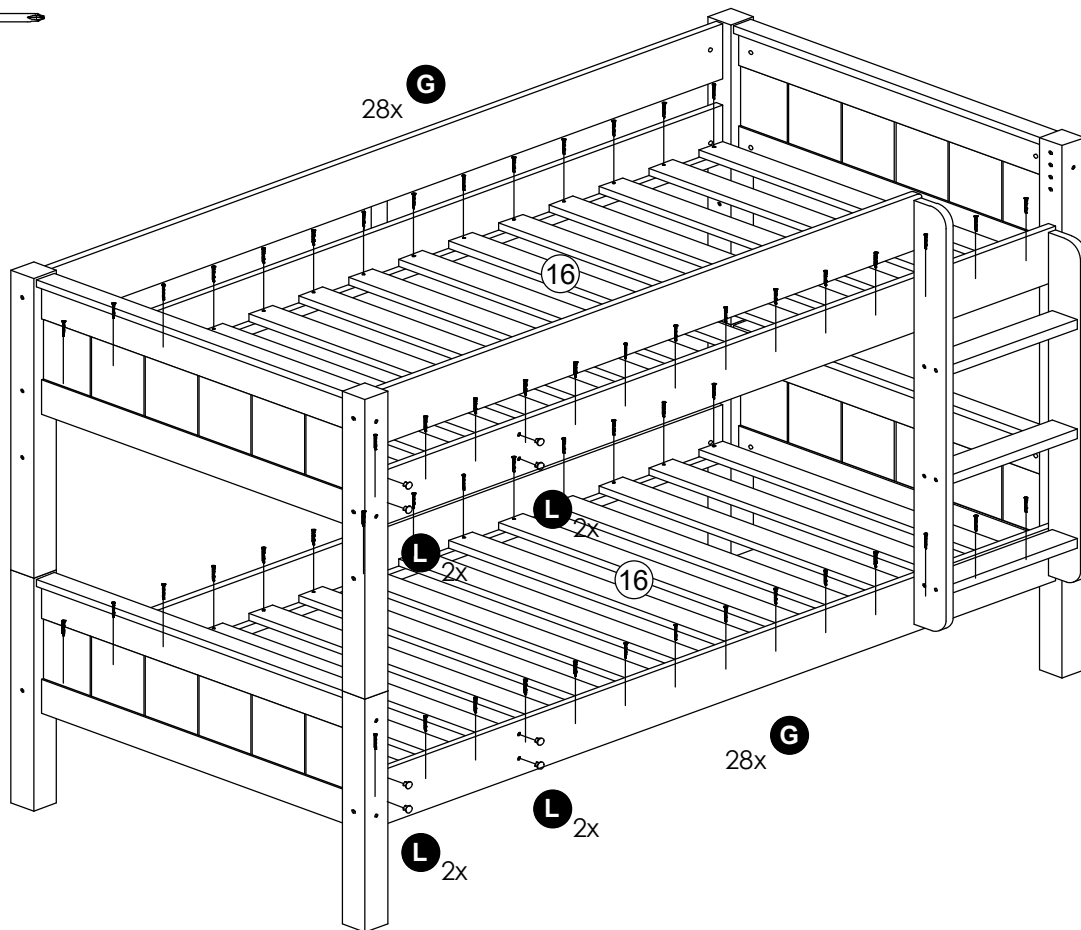
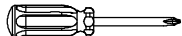


4mm



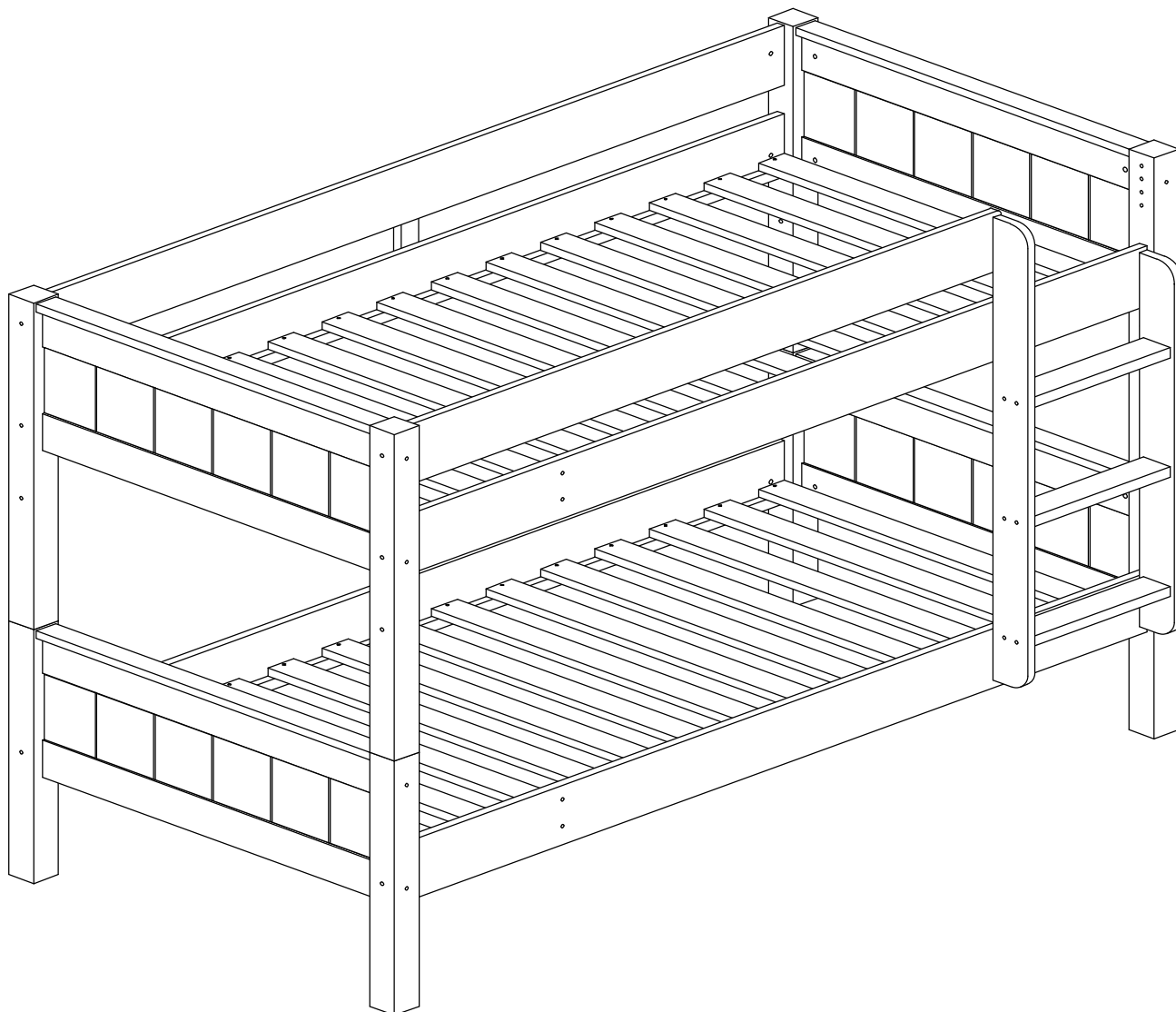
F		J		L	
6,3x50	x10	D16	x2	D8x13	x25

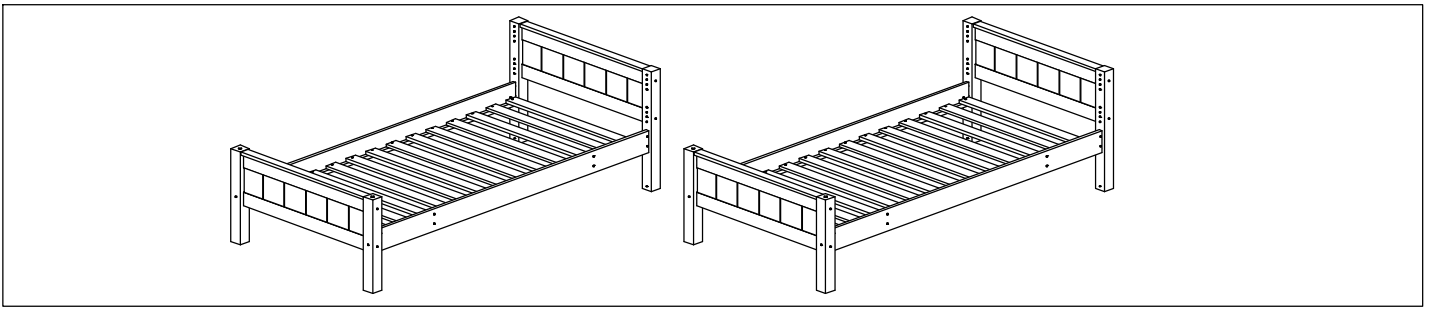
12



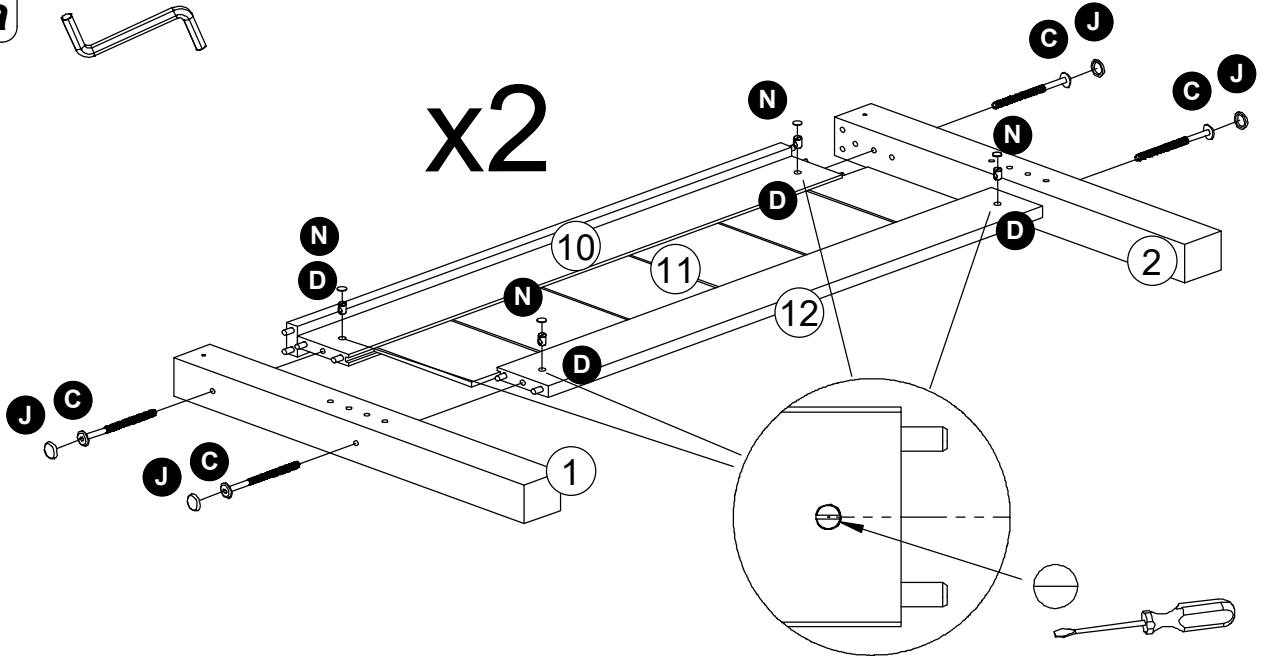
L		
	D8x13	x8
P		
	72 mm	x2
G		
	3,5x35	x56





13



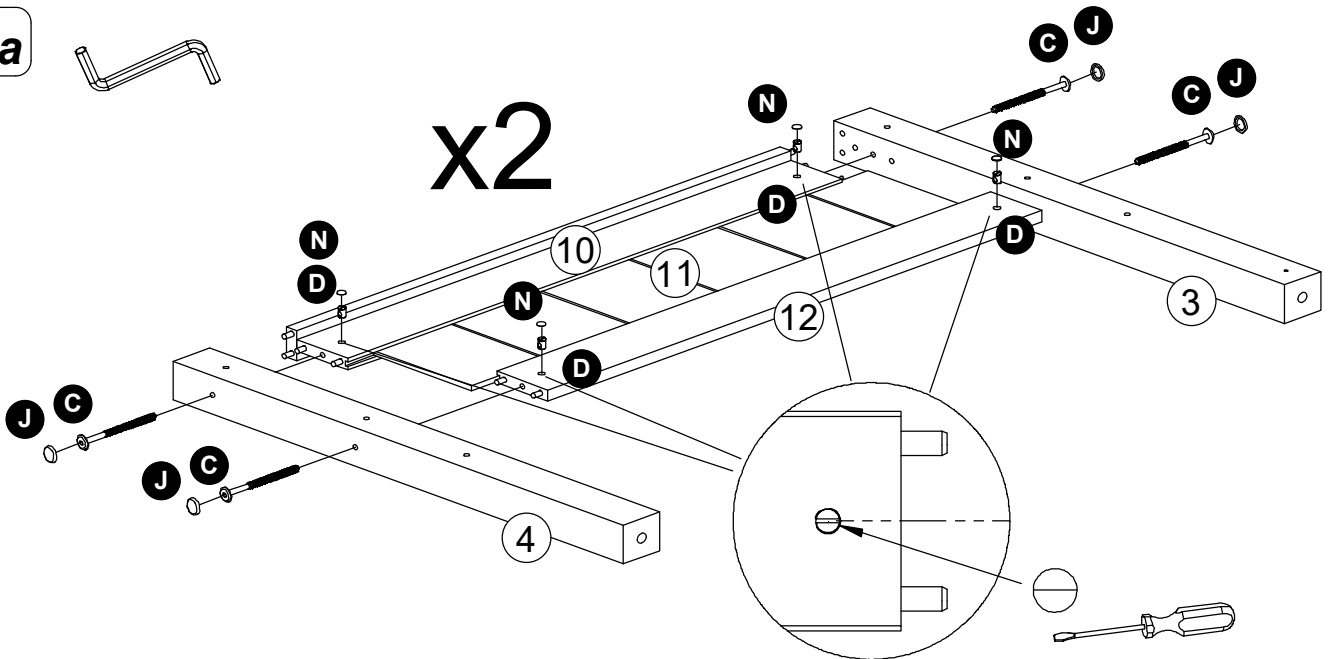






4a



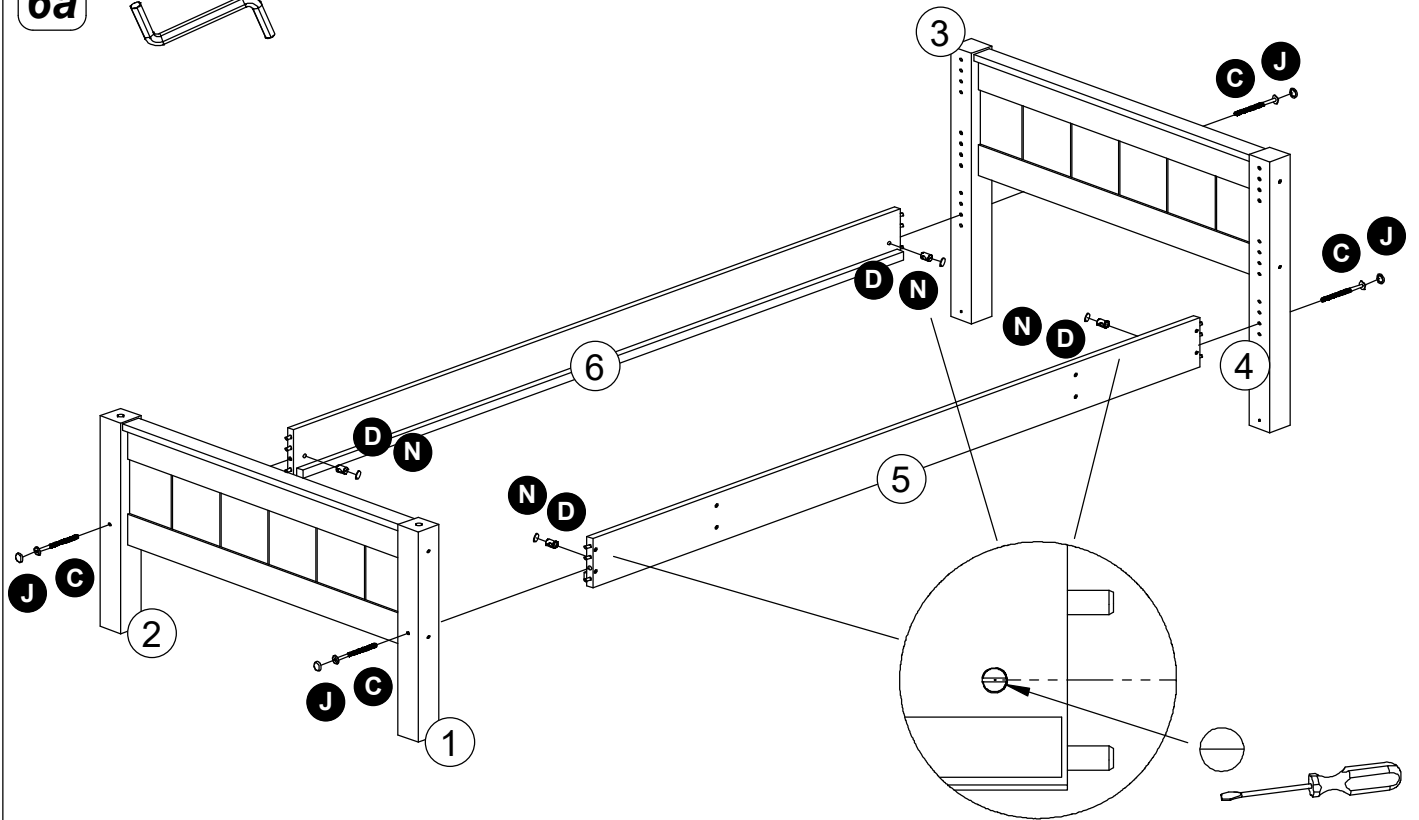
C 	D 	J 	N 
M6x110	x8	M6x10x13	x8
		D16	x8
			D14x1
			x8





5a



C 	D 	J 	N 
M6x110	x8	M6x10x13	x8
		D16	x8
			D14x1
			x8

6a

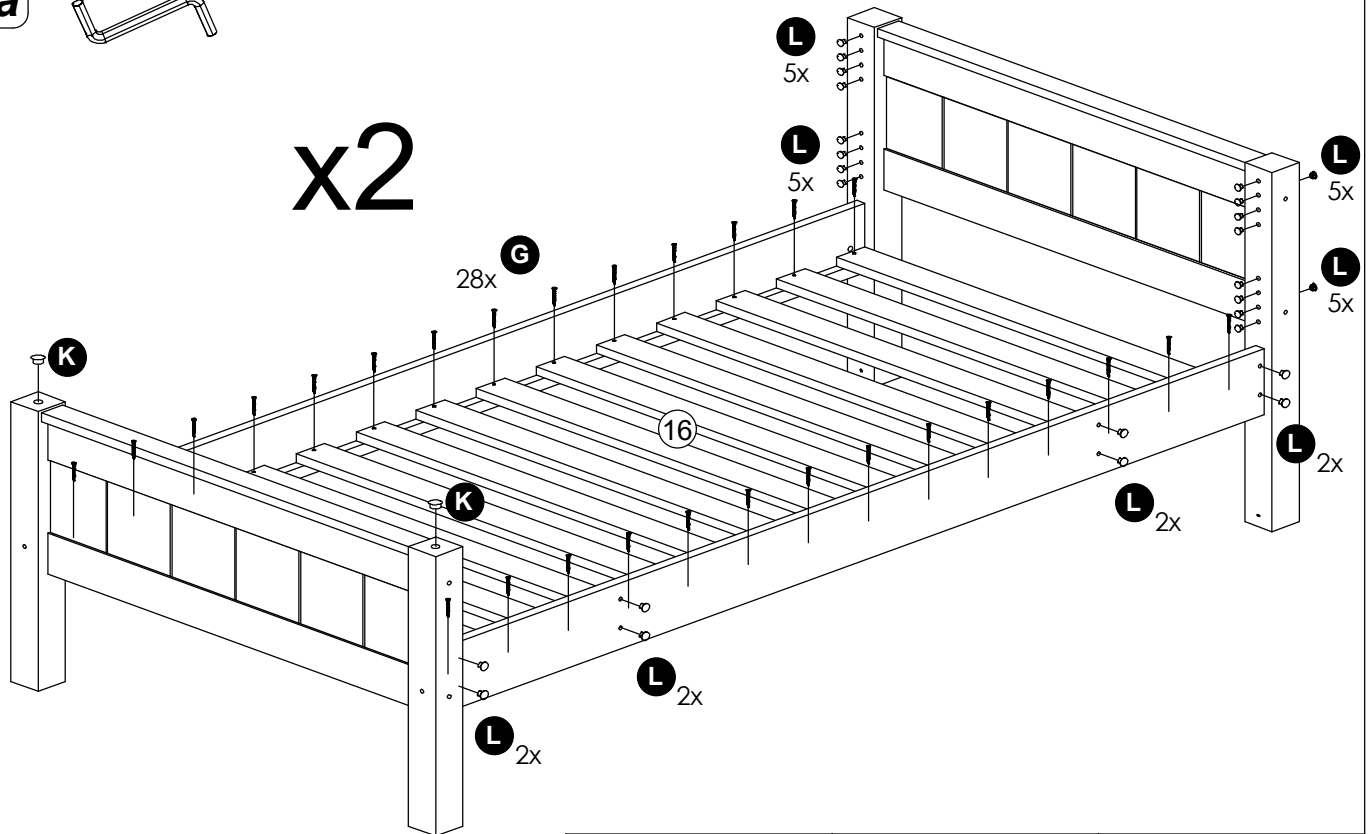



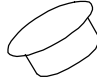

C 	D 	J 	N 
M6x110	x4	M6x10x13	x4
		D16	x4
		D14x1	x4

7a



x2



G 	K 	L 
3,5x35	x56	D16
		x4
		D8x13
		x56