



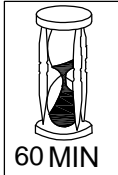
Minimum Two
Persons Assembly



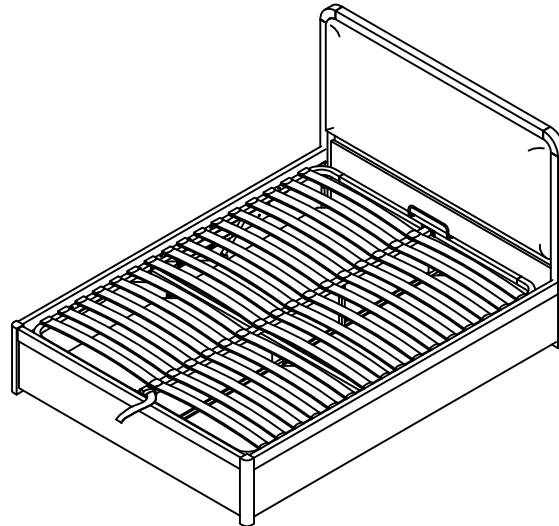
Delphine 150cm Ottoman Bedframe
STK779202

Assembly Instructions

Please keep these instructions for future reference.



Approximate
Assembly Time



Regrettably self-assembly items can not be returned once assembly is part or fully completed unless the items are found to be faulty. Should you need to return the unassembled product, please repack in its original packaging.

Important Information

- We suggest you spend a short time reading through this leaflet and then follow the simple step-by-step instruction.
- Carefully check that you have all the parts before beginning assembly.
- Keep fittings out of children's reach and keep children well away from construction area.
- We suggest you retain these instructions for future reference.
- In the unusual event of an issue with your product would you please quote the batch I.D. number situated on the main parts of the frame (Head End- Foot End- side Rails).

Product Information

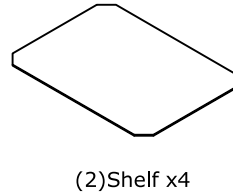
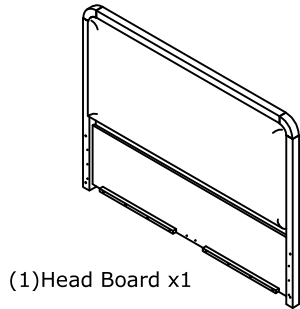
- Upholstered Bed Using Fabric Material. Conforms to BS EN1725 & BS 5852.

Care Instructions

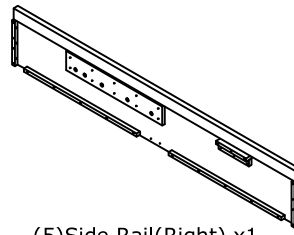
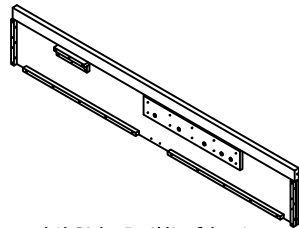
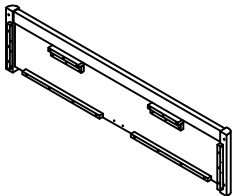
- Avoid exposing the furniture to excessive heat or direct sunlight as this can cause cracking and deterioration of color
 - Periodically check & re-tighten any fastener.
 - Periodically dust lightly with a clean soft cloth.
 - Do not use silicone based furniture polish.
 - Any spills should be removed immediately with a damp cloth.
 - Gently remove any debris with a soft brush or cloth, do not vigorously rub or use anything abrasive. Use a soft damp cloth or a mild detergent to help remove any stubborn stains. Allow to dry naturally. Over-wetting may cause a ring stain on the outside of the damp area.
- TAKE CARE WHEN MOVING THE FURNITURE AND NEVER DRAG THE PIECES ACROSS THE FLOOR, AS THIS WILL CAUSE DAMAGE TO THE JOINTS.

KING: 150CM x 200CM

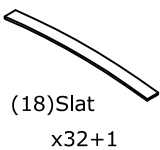
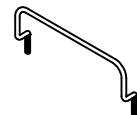
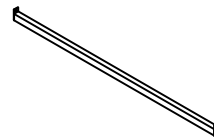
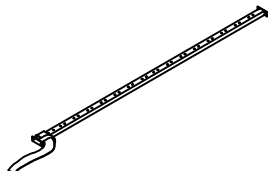
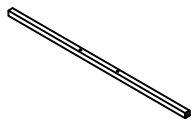
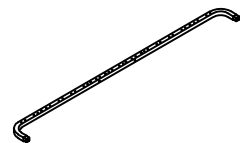
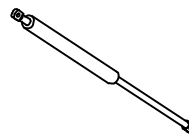
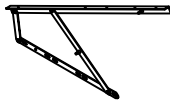
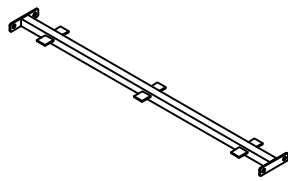
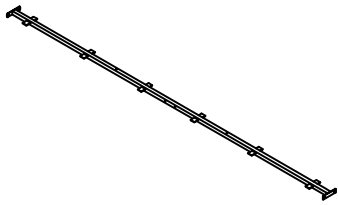
Component of Carton A



Component of Carton B







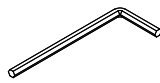




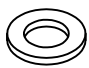
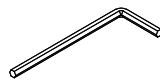


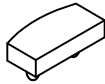

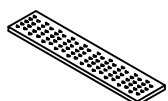

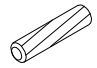


Component of Carton C



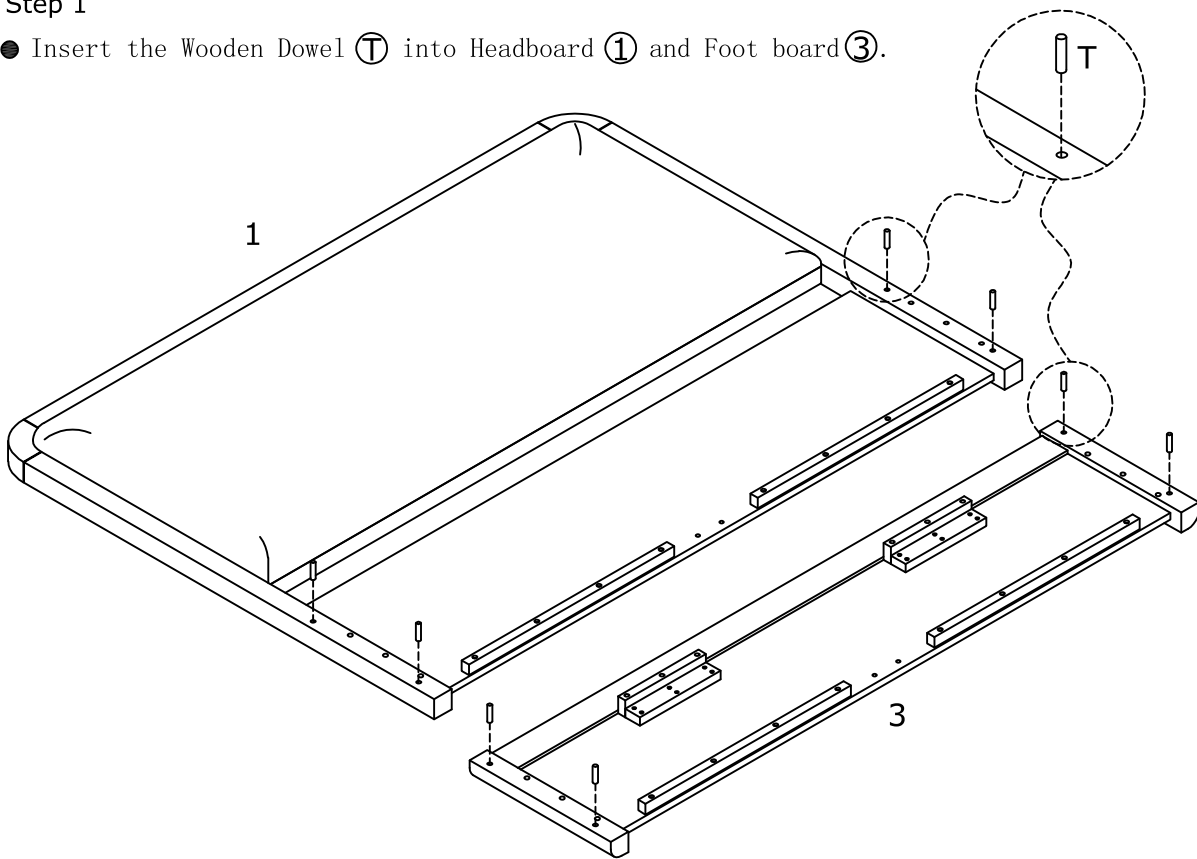
KING: 150CM x 200CM

Hardware List(In Carton C)

<p>(A) M8x50 Bolt X 12</p> 	<p>(B) M8x45 Bolt X 10</p> 	<p>(C) M8x40 Bolt X 2</p> 	<p>(D) M8x19 Bolt X 20</p> 
<p>(E) M8 Spring Washer X 44</p> 	<p>(F) M8 Flat Washer X 44</p> 	<p>(G) 5MM Allen Key X 1</p> 	<p>(H) 14MM Wrench X 1</p> 
<p>(I) M8 Nut X 14</p> 	<p>(J) M6x16 Bolt X 8</p> 	<p>(K) M6 Spring Washer X 8</p> 	<p>(L) M6 Flat Washer X 8</p> 
<p>(M) 4MM Allen Key X 1</p> 	<p>(N) Nylon Nut X 4</p> 	<p>(O) 13MM Wrench X 1</p> 	<p>(P) End Cap x32+8</p> 
<p>(Q) Centre Cap x16+4</p> 	<p>(R) 220*30*4mm EVA X 4</p> 	<p>(S) Ø25x4mm EVA x 1</p> 	<p>(T) Ø10x40 Wood Dowel X 8</p> 

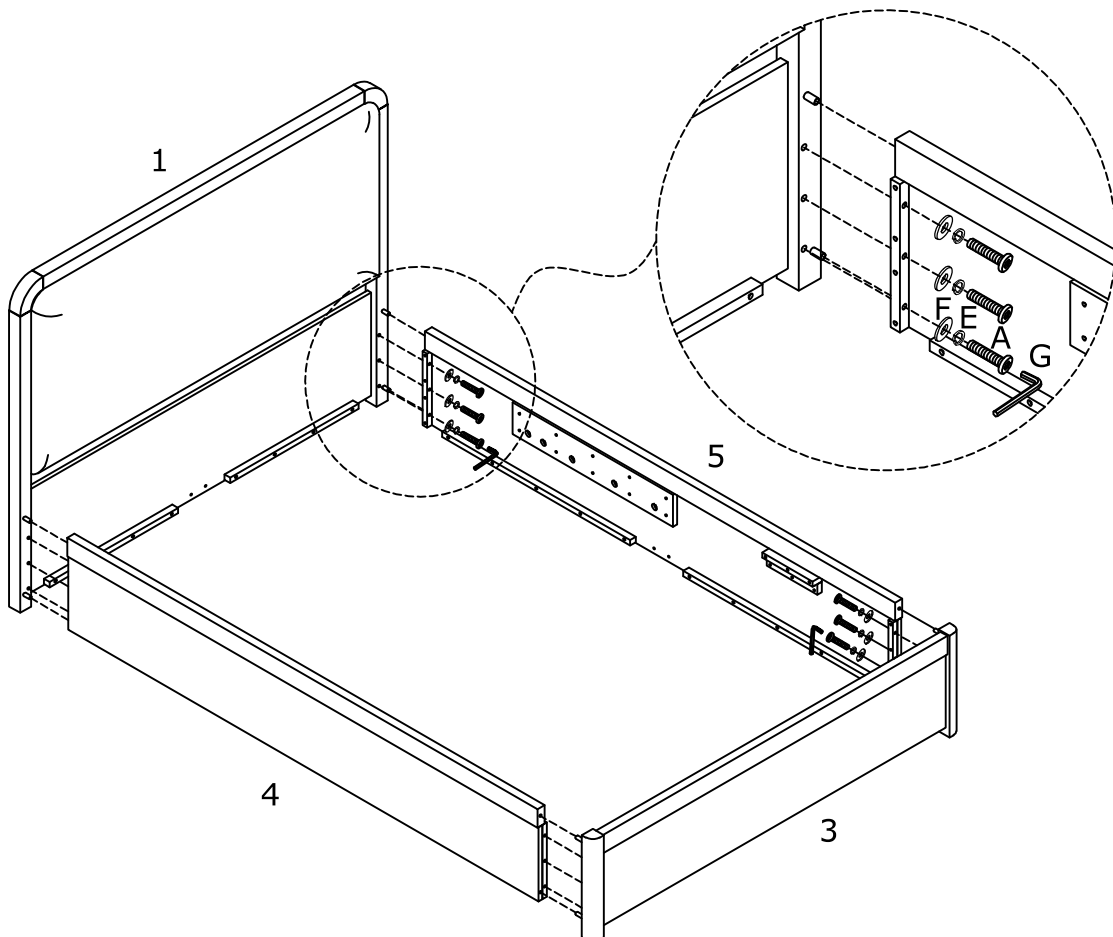
Step 1

- Insert the Wooden Dowel **T** into Headboard **1** and Foot board **3**.



Step 2

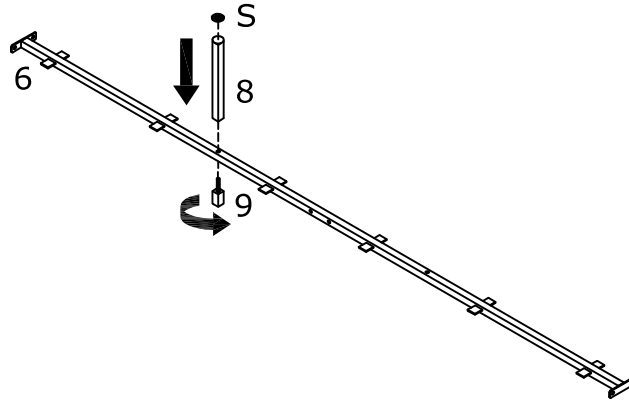
- Attach the Side Rail (Left) **4** and Side Rail (Right) **5** to the Headboard **1** and Foot board **3** by using Washer **F** & **E** and Bolt **A** with Allen Key **G** as shown.



Step 3

- Attach the Support Legs (8) & (9) to Centre Rail (6).

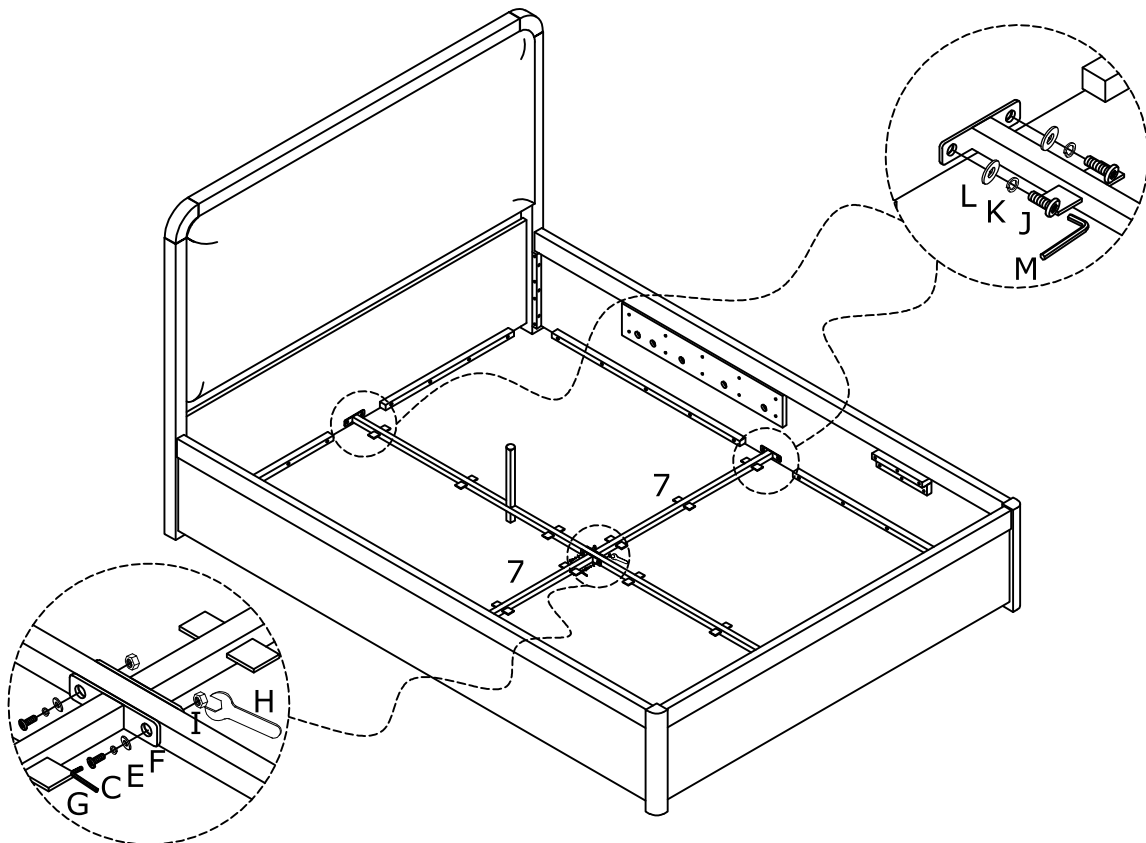
Put the EVA (S) onto the support Legs (8).



Step 4

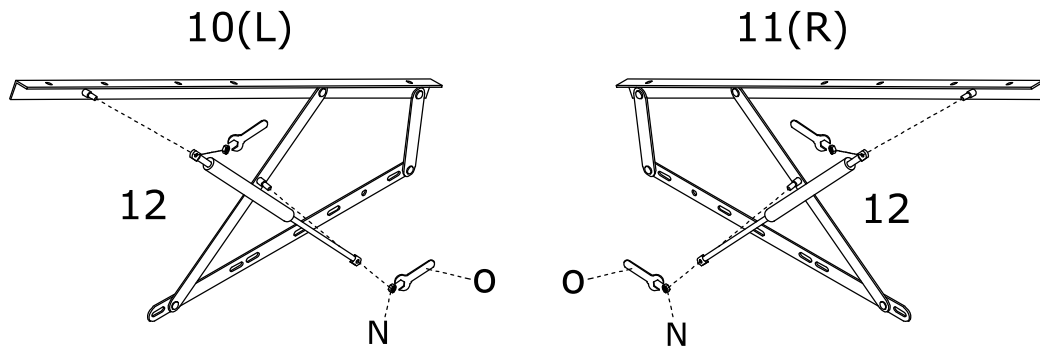
- Attach Centre Rail (6) to Headboard (1) and Foot board (3) by using Washer (L) & (K) and Bolt (J) with Allen Key (M) as shown.

Attach Support Rails (6) to Centre Rail (6) by using Washer (F) & (E) and Bolt (C) with Allen Key (G) as shown



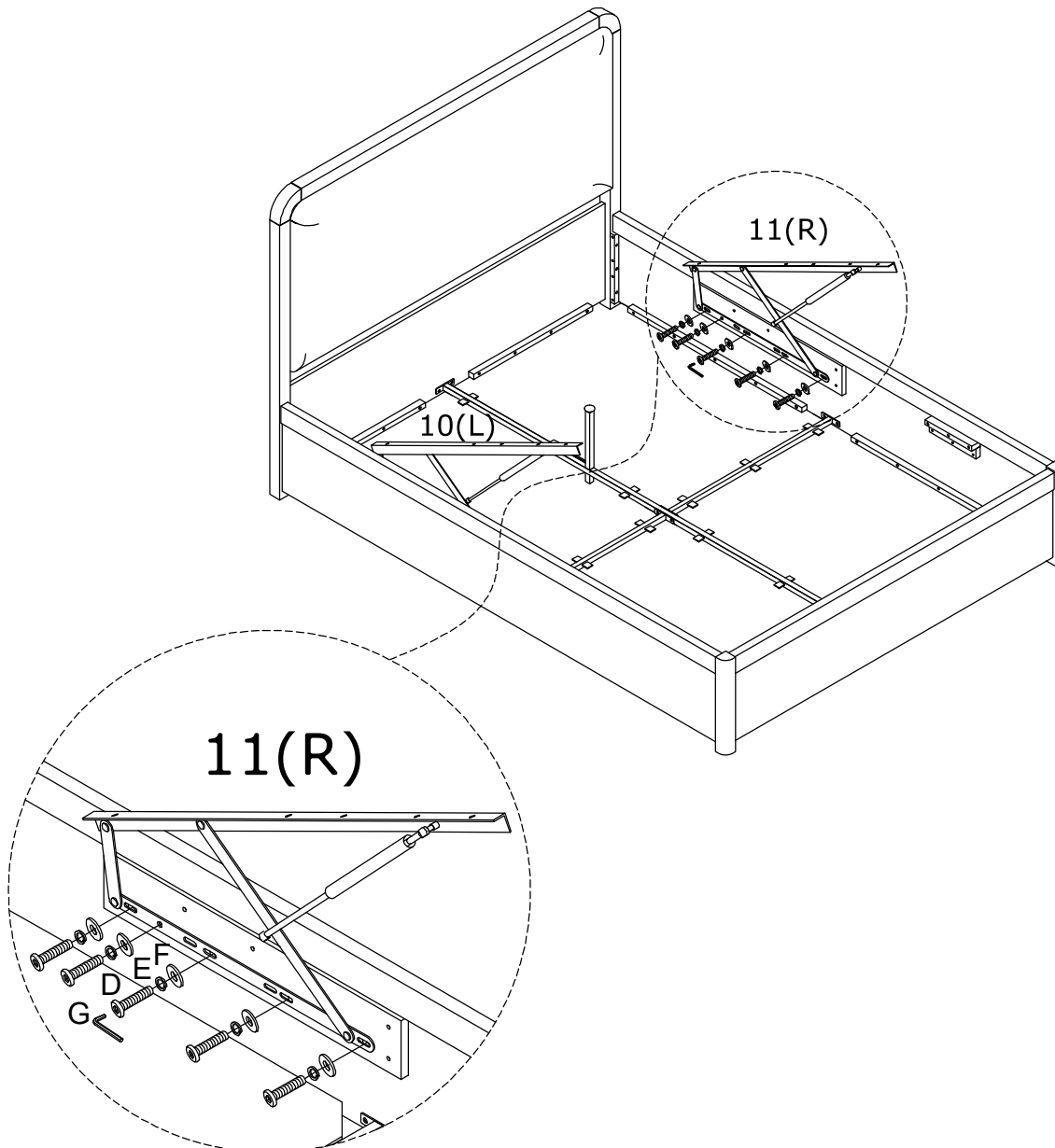
Step 5

- Attach Cylinders 12 to lifting arms 10 & 11 by using Nut N with Wrench O as shown.



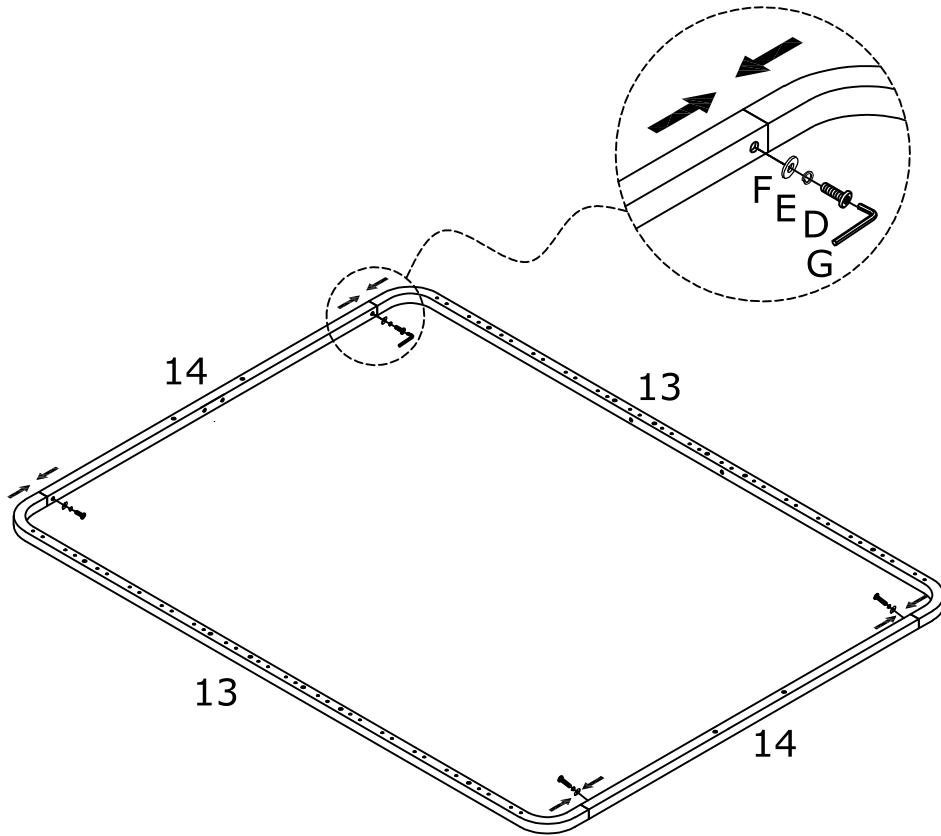
Step 6

- Attach lifting arm (Right) 11 to Side Rail (Right) 5, and (Left) 10 to (Left) 4 by using Washer F & E and Bolt D with Allen Key G as shown.



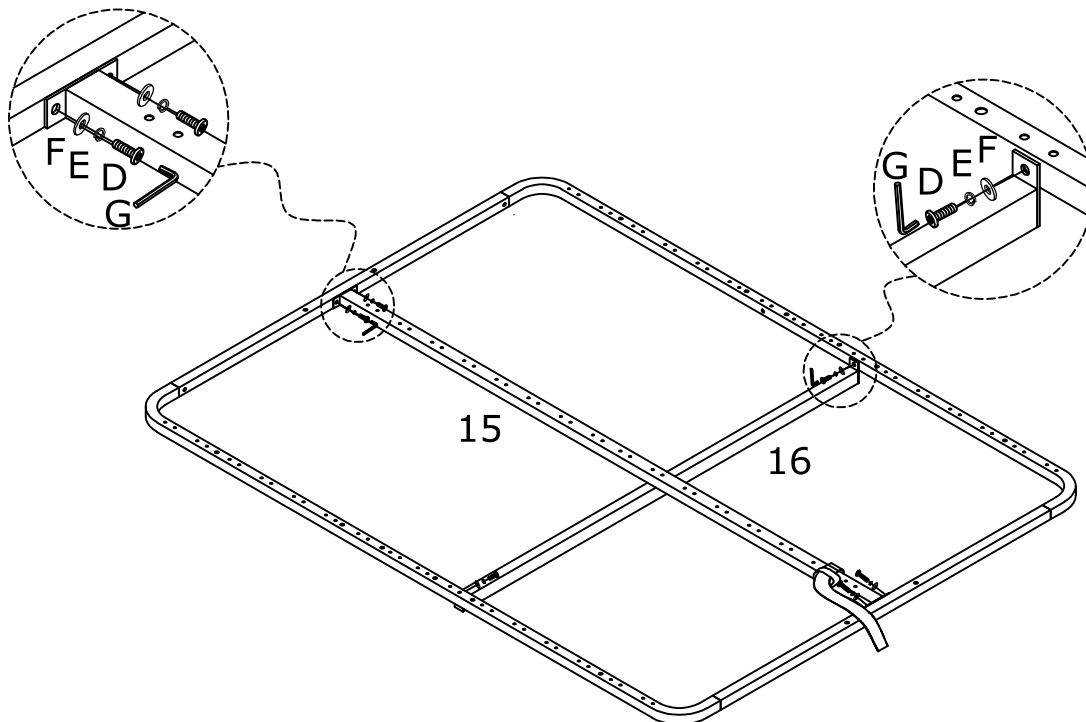
Step 7

- Assembling the base frame ⑬ and ⑭ by using Washer ① & ② and Bolt ③ with Allen Key ④ as shown.



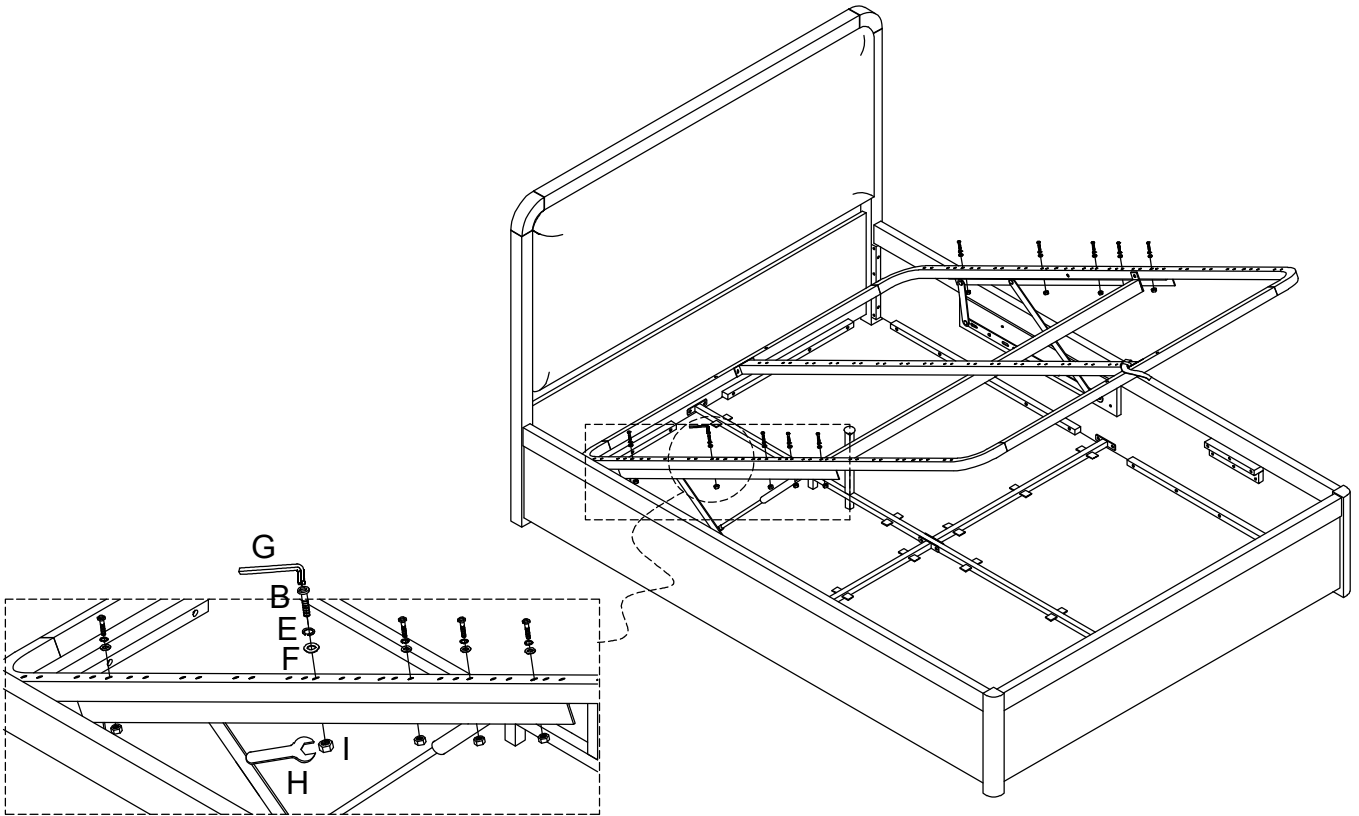
Step 8

- Attach the Centre Rail ⑮ to base frame ⑭ and support rail ⑯ to base frame ⑬ by using Washer ① & ② and Bolt ③ with Allen Key ④ as shown.



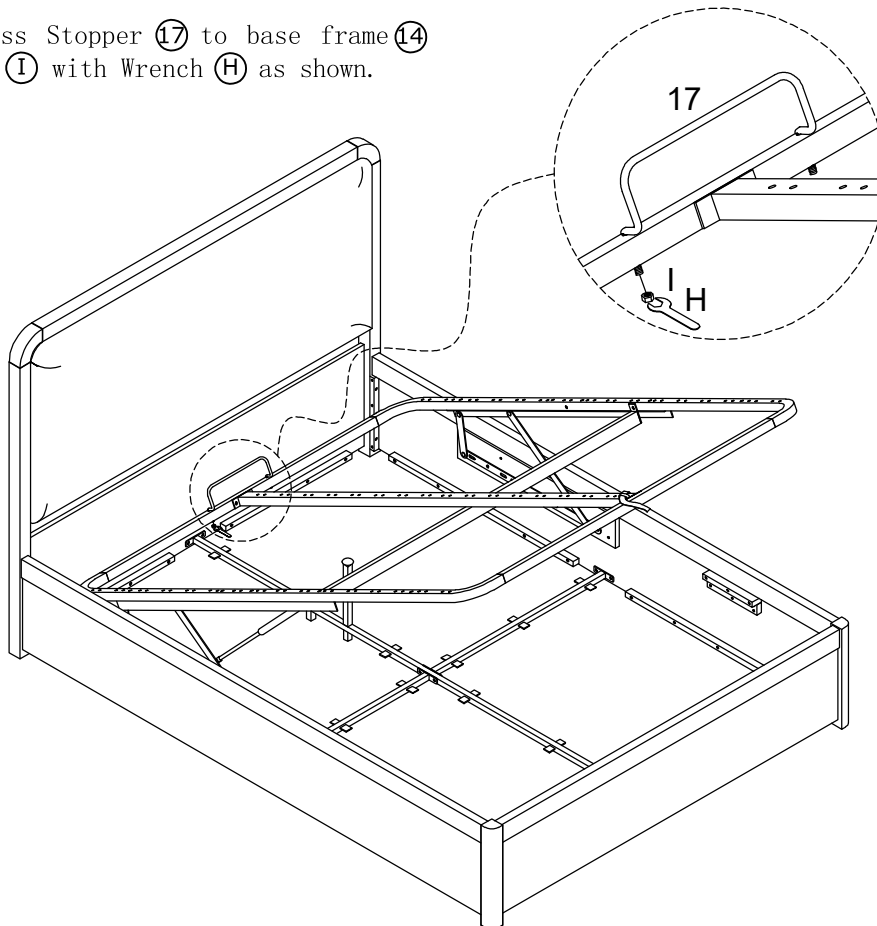
Step 9

- Assembling the base frame to the Lifting arms by using Washer (F) & (F) and Bolt (B) with Allen Key (G), then using the Nut (I) to tighten the Bolt (B) with Wrench (H) as shown.



Step 10

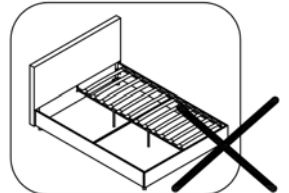
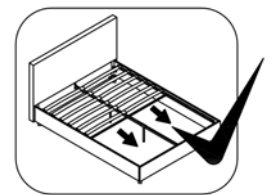
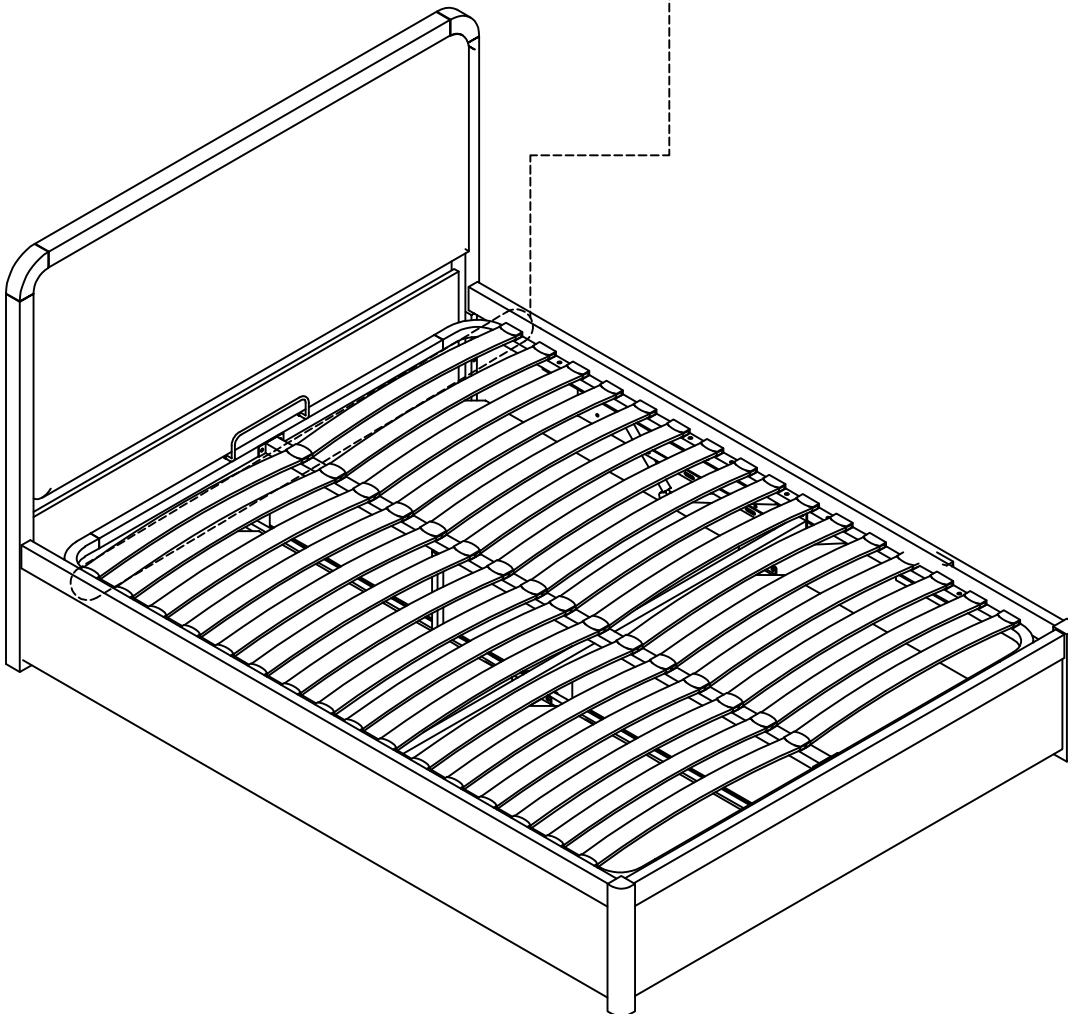
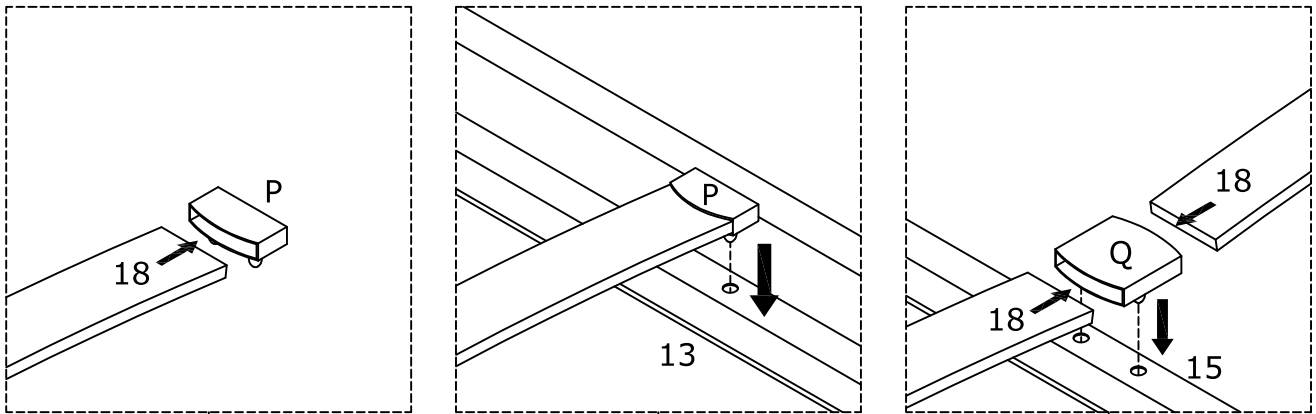
- Attach Mattress Stopper (17) to base frame (14) by using Nut (I) with Wrench (H) as shown.



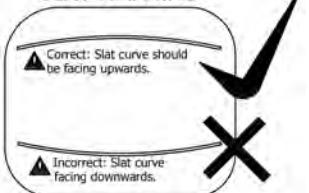
Step 11

- 11.1 Insert Slats ⑱ into the End cap ⑰.
- 11.2 Press the End Cap ⑰ into to Base frame ⑬, repeat the same procedure 11.1 and 11.2 for the opposite side.
- 11.3 Insert the ends of both Slats ⑱ into Centre Cap ⑲, then press Centre Cap ⑲ into Centre Rail ⑮ as illustrated.

Repeat the same procedures going backwards for every row of slats.

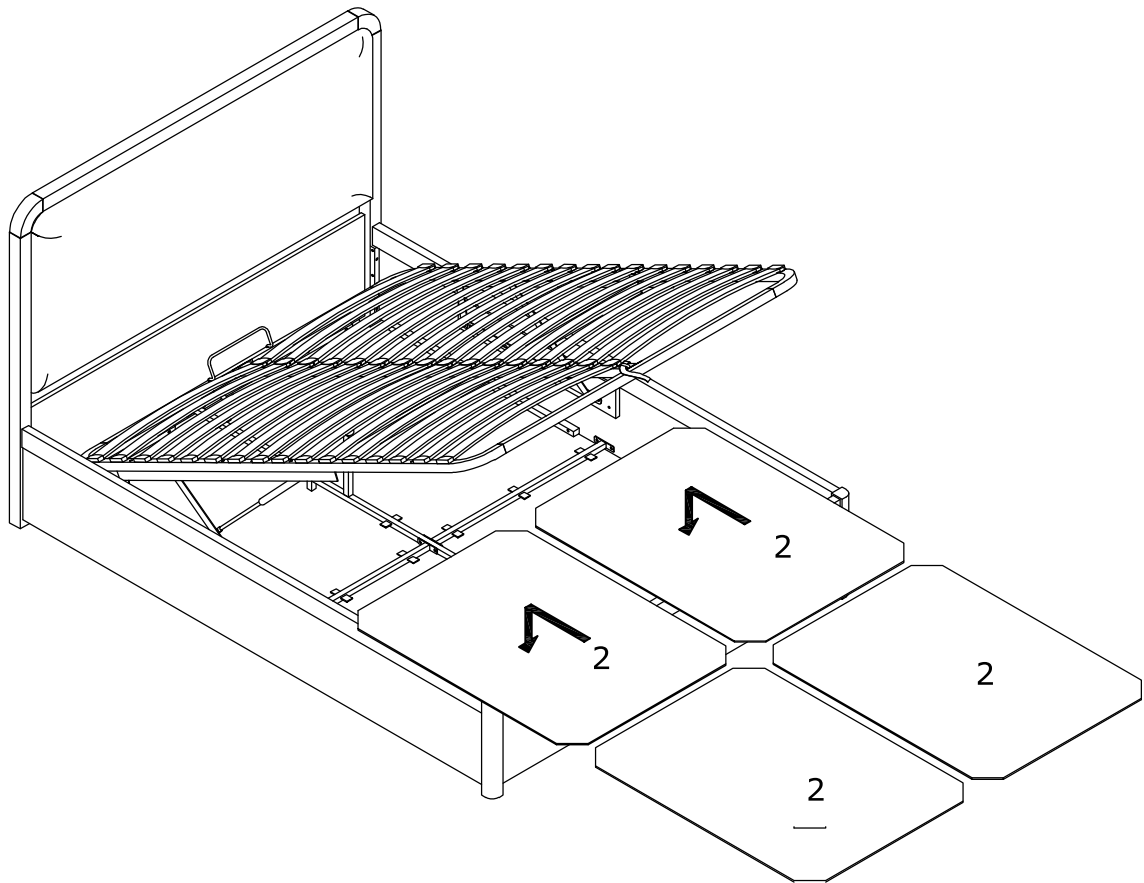


SLAT WARNING



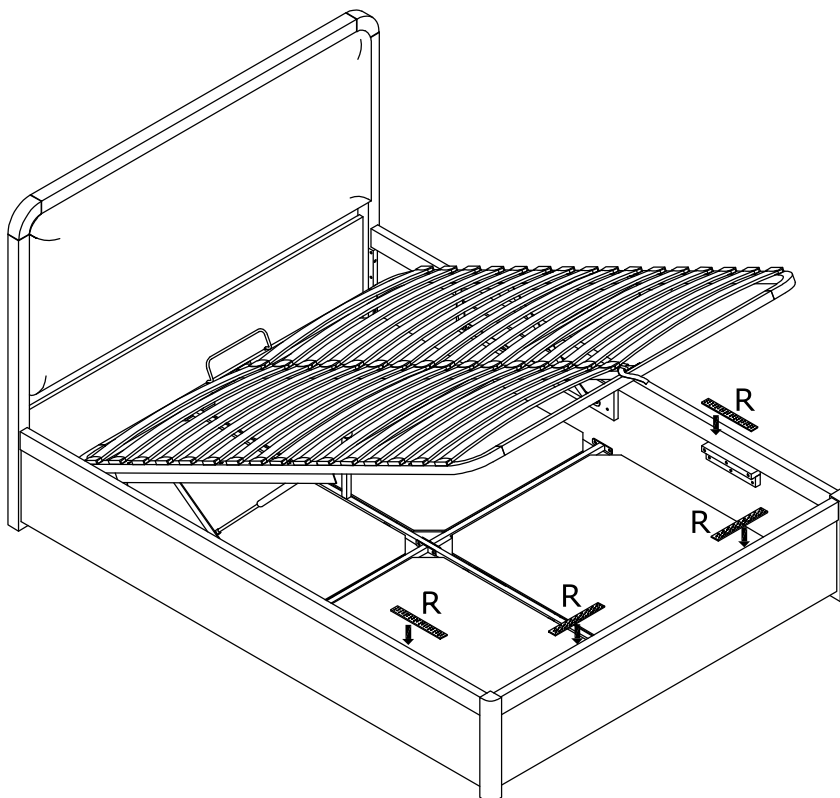
Step 12

- Lifting up the base by using two hands, then insert the Shelves ② to the bottom.



Step 13

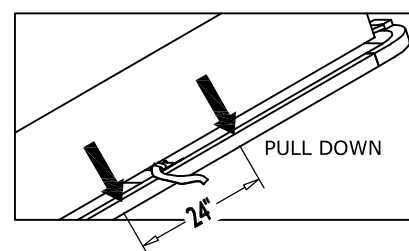
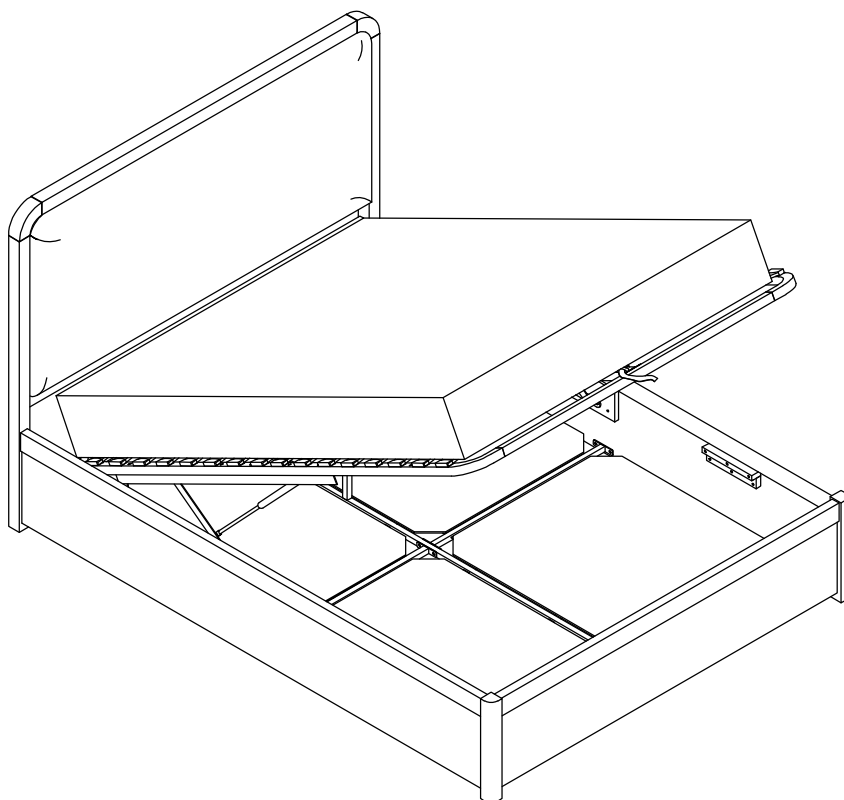
- Put the EVA ④ to the Side Rails and Foot board as illustrated.



"IMPORTANT NOTICE"

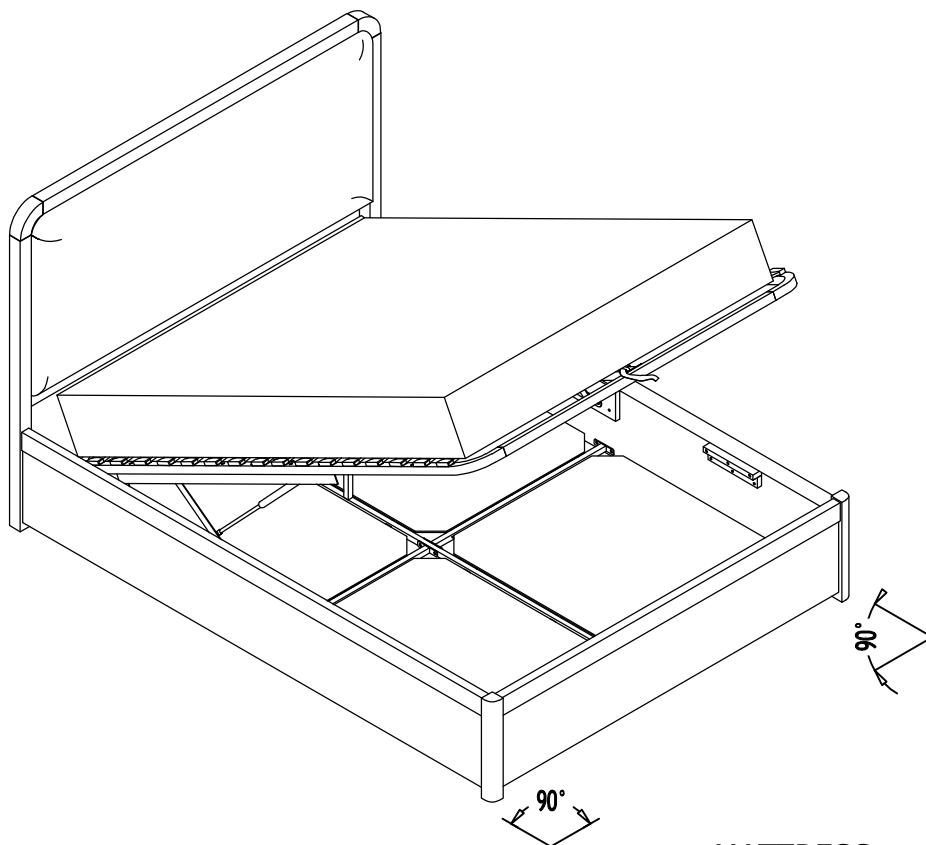
- WARNING: PLEASE DO NOT ALLOW CHILDREN OR PETS INSIDE THE STORAGE AREA
- WARNING: PLEASE BE CAREFUL WHEN LIFTING. ONLY LIFT WITH MATTRESS ON TOP. TO BE OPERATED BY ADULTS ONLY
- WARNING: PLEASE DO NOT PRESS DOWN ON THE MATTRESS WHEN THE BED FRAME IS IN THE LIFT UP POSITION.
- WARNING: THE BED FRAME TOP MUST ONLY BE CLOSED BY USING TWO HANDS EQUALLY SPACED FROM THE CENTER OF THE MATTRESS BASE.

Use the strap handle to lift up the mattress base using two hands
Pull the mattress base down using two hands equally spaced from the center of the mattress base. **DO NOT** pull down on one side of base only as this is likely to damage the base system with potential failure of the mattress base system and lift mechanism.

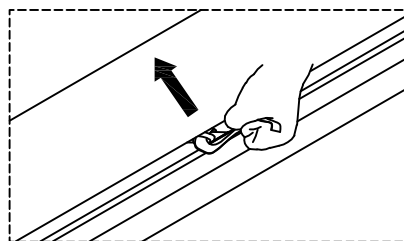
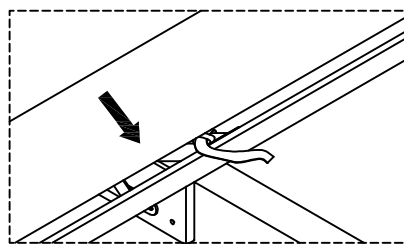


- Make sure the bed corners are always square at 90 degree's before closing the sleeping base.

Caution: please be aware, if the mattress is removed the lift up base may lift up on its own.



MATTRESS



MATTRESS