

Important Information

- We suggest spending a short time reading through this leaflet and then follow the simple step-by-step instruction.
 - Carefully check that you have all the parts before beginning assembly.
 - Keep fittings out of children's reach and keep children well away from construction area.
 - We suggest you retaining these instruction for future reference.
-

Care Instructions

- Avoid exposing the furniture to excessive heat or direct sunlight as this can cause cracking and deterioration of the color.
- Periodically check & re-tighten any fastener.
- Periodically dust lightly with a clean soft cloth.
- Do not use silicone based furniture polish.
- Any spills should be removed immediately with a damp cloth.
- Take care when moving the furniture and never drag the pieces across the floor ,as this will cause damage to the joints.



PLEASE NOTE
Minimum Two
Person Assembly
Required

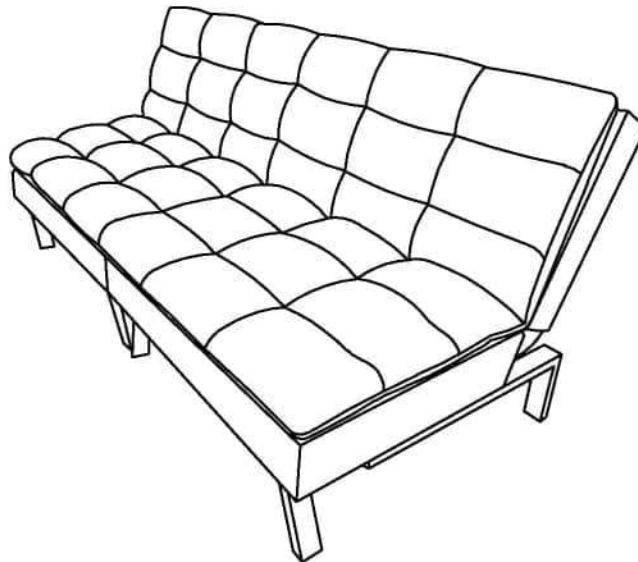


Approximate
Assembly Time

ITEMNO.:
STK730701
STK730702
STK730703
Please Keep These Numbers
Future Reference
THIS FORMS PARTS OF
YOUR GUARANTEE

3 SEATER DUET SOFA BED

ASSEMBLY INSTRUCTIONS








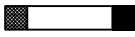


IMPORTANT-READ CAREFULLY-RETAIN FOR FUTURE REFERENCE

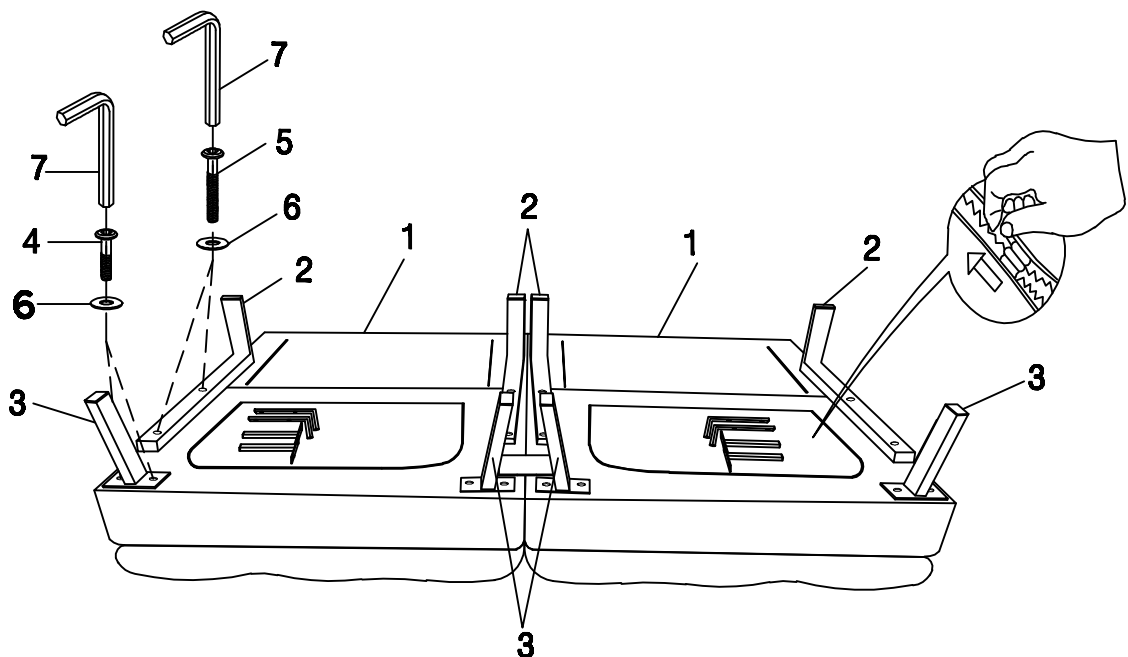
- All assembly fastenings should be tightened properly and care should be taken that no fittings are loose.
- This sofa bed conforms to BS5852 and BS EN 12520 Safety Strength Durability&Stability Which incorporates BS EN1725.

GENERAL CARE

- Avoid exposing your furniture to direct and prolonged periods of Sunlight as Fading and cracking may Result.
- Avoid Leaving Sharp Items (Keys Etc.) In Pockets that may Cause Damage To The Surface .
- Please Check All Screws or Bolts Periodically to Ensure nothing has come loose in use.

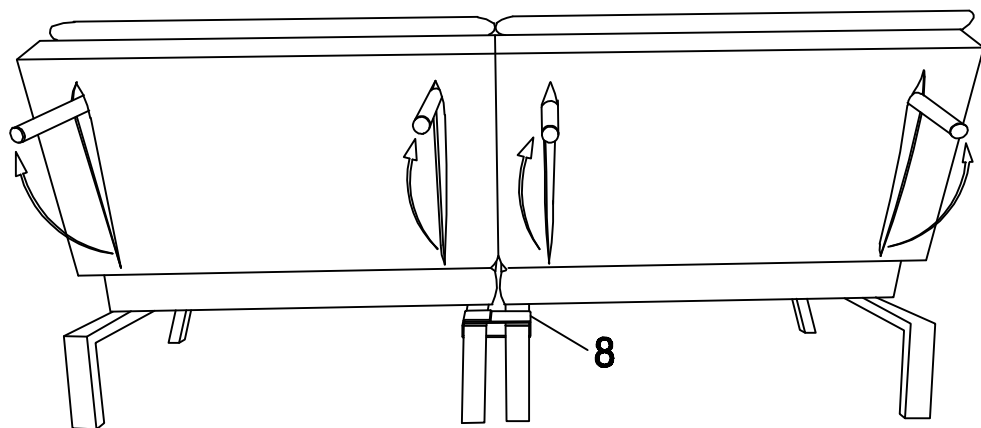
NO	PARTS					QTY		Description
1	920	X	890	X	630	2PCS		Sofa
2	600	X	50	X	200	4PCS		Back Legs
3	110	X	50	X	200	4PCS		Front Legs
4	5/16"			X	35MM	8PCS		Bolt
5	5/16"			X	65MM	8PCS		Long Bolt
6	5/16"			X	19MM	16PCS		Flat Washer
7	M5	X	100	X	35	1PCS		Allen Key
8						1PCS		velcro

STEP 1

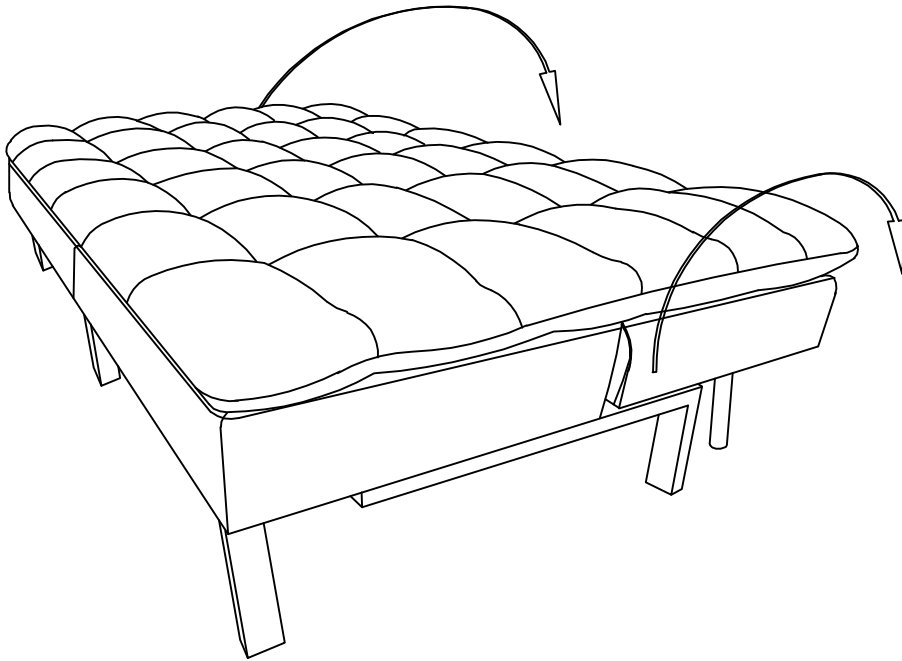


STEP 2

Back Visual

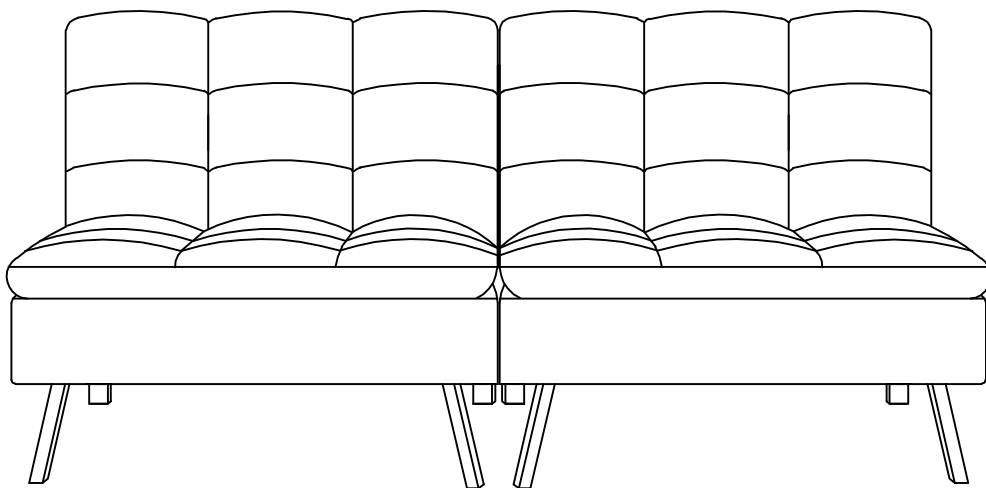


STEP 3



STEP 4

Front Visual



▲ IMPORTANT ▲

- **DO NOT DISPOSE OF THE PACKAGING UNTIL CONTENTS HAVE BEEN FULLY CHECKED.**
- **ORIGINAL PACKAGING SHOULD BE USED IN THE EVENT OF RETURNING AN ITEM.**
- **PLEASE MAKE A NOTE OF THE P.O. NUMBER AND QUOTE IN ALL CORRESPONDENCE.**

(This can be found on the outer packaging.)