



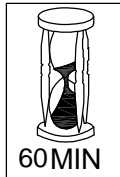
Minimum Two  
Persons Assembly



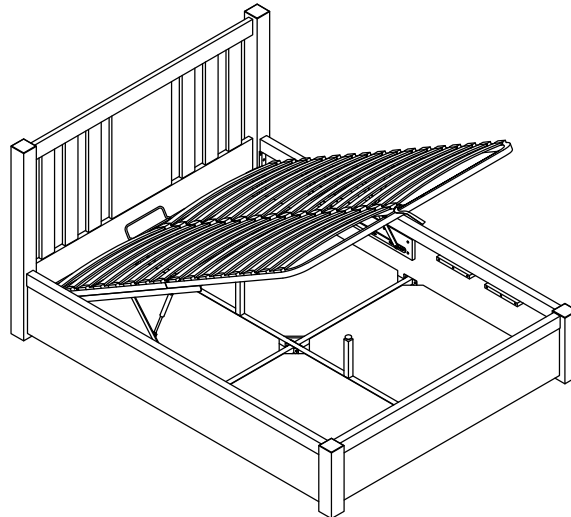
Edcemont Lift-up 135cm & 150cm Bed  
AST135200 & AST150200

**Assembly Instructions**

Please keep these instructions for future reference.



Approximate  
Assembly Time



Regrettably self-assembly items can not be returned once assembly is part or fully completed unless the items are found to be faulty. Should you need to return the unassembled product, please repack in its original packaging.

**Important Information**

- We suggest you spend a short time reading through this leaflet and then follow the simple step-by-step instruction.
- Carefully check that you have all the parts before beginning assembly.
- Keep fittings out of children's reach and keep children well away from construction area.
- We suggest you retain these instructions for future reference.
- In the unusual event of an issue with your product would you please quote the batch I.D. number situated on the main parts of the frame (Head End- Foot End- side Rails).

**Product Information**

- Upholstered Bed Using Fabric Material. Conforms to BS EN1725 & BS 5852.

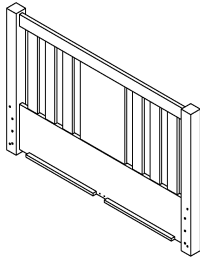
**Care Instructions**

- Avoid exposing the furniture to excessive heat or direct sunlight as this can cause cracking and deterioration of color
  - Periodically check & re-tighten any fastener.
  - Periodically dust lightly with a clean soft cloth.
  - Do not use silicone based furniture polish.
  - Any spills should be removed immediately with a damp cloth.
  - Gently remove any debris with a soft brush or cloth, do not vigorously rub or use anything abrasive. Use a soft damp cloth or a mild detergent to help remove any stubborn stains. Allow to dry naturally. Over-wetting may cause a ring stain on the outside of the damp area.
- TAKE CARE WHEN MOVING THE FURNITURE AND NEVER DRAG THE PIECES ACROSS THE FLOOR, AS THIS WILL CAUSE DAMAGE TO THE JOINTS.

DOUBLE: 135cm × 190cm

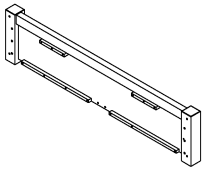
KING: 150cm × 200cm

Component of Carton A

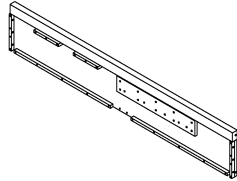


(1) Headboard × 1

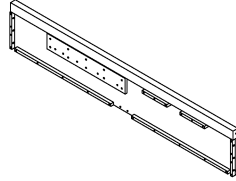
Component of Carton B



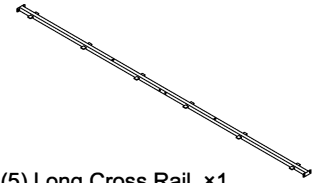
(2) Footboard × 1



(3) Side Rail (Left) × 1

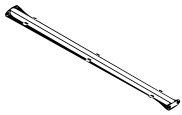


(4) Side Rail (Right) × 1



(5) Long Cross Rail × 1

Component of Carton C



(6) Short Cross Rail × 2



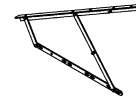
(7) Support Leg (Long) × 2



(8) Support Leg (Short) × 2



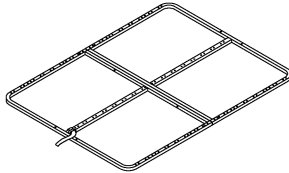
(9) Lift Up Mechanism (Left) × 1



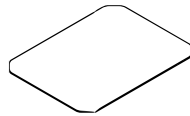
(10) Lift Up Mechanism (Right) × 1



(11) Cylinder × 2



(12) Metal Frame × 1



(13) Base Panel × 4

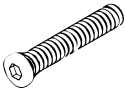
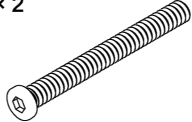
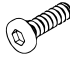


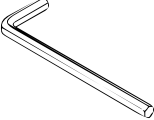


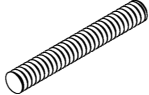
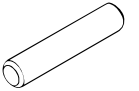



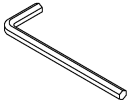

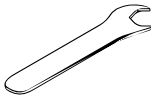


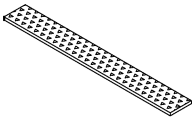



(14) Mattress Stopper × 1

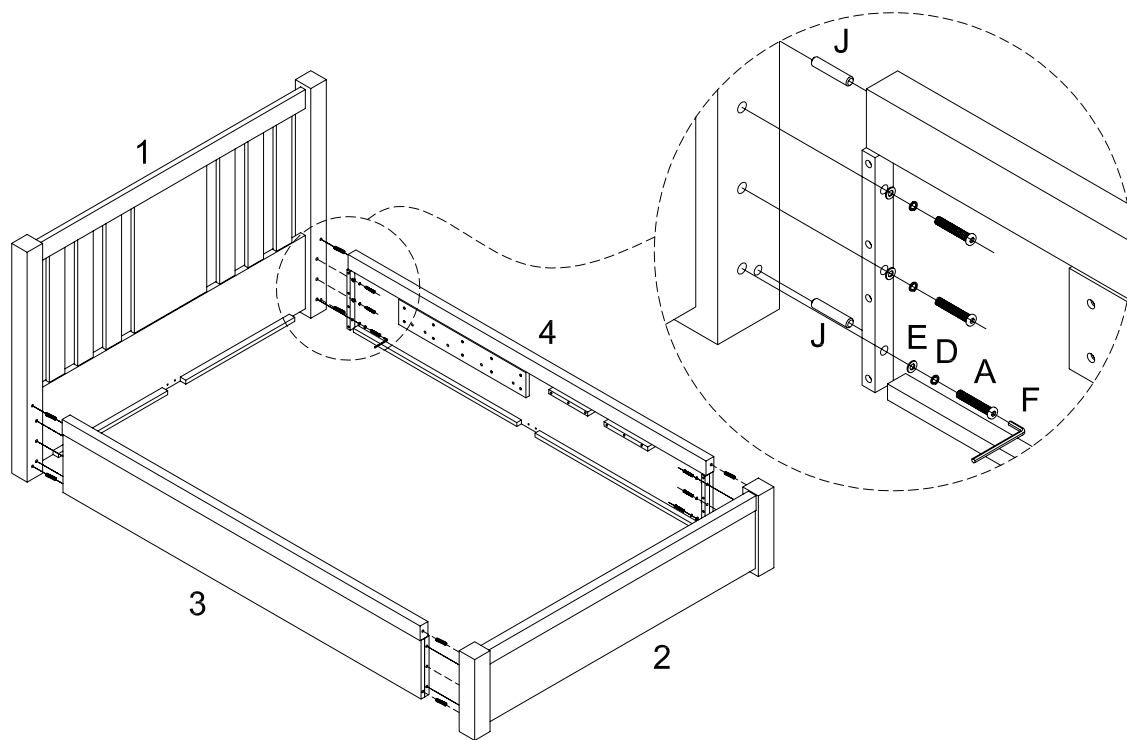


(15) Slat  
× 28+1 (Double)  
× 32+1 (King)

Hardware List (In Carton C)

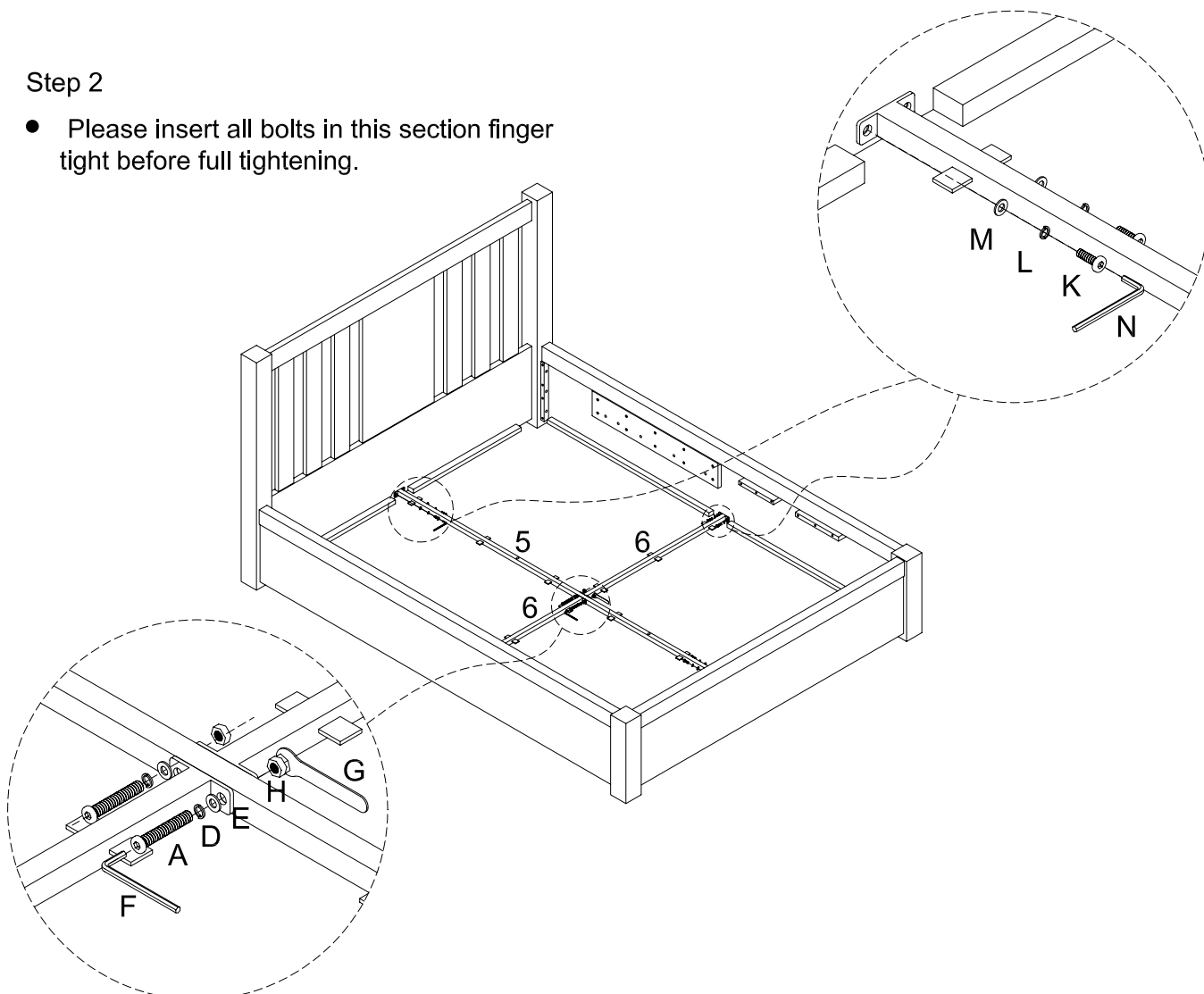
(A) M8×50 Bolt × 24 	(B) M8×75 Bolt × 2 	(C) M8×25 Bolt × 10 	(D) M8 Spring Washer × 36 	(E) M8 Flat Washer × 36 
(F) 5MM Allen Key × 1 	(G) 14MM Wrench × 1 	(H) M8 Nut × 16 	(I) M8×60 connecting bolt × 2 	(J) Ø10×50 Wood Dowel × 8 
(K) M6×20 Bolt × 8 	(L) M6 Spring Washer × 8 	(M) M6 Flat Washer × 8 	(N) 4MM Allen Key × 1 	(O) Nylon Nut × 4 
(P) 13MM Wrench × 1 	(Q) End Cap × 28+12(Double) × 32+8 (King) 	(R) Centre Cap × 14+6(Double) × 16+4 (King) 	(S) 150×32×4mm EVA × 4 	(T) Ø25×4mm EVA × 2 

## Step 1

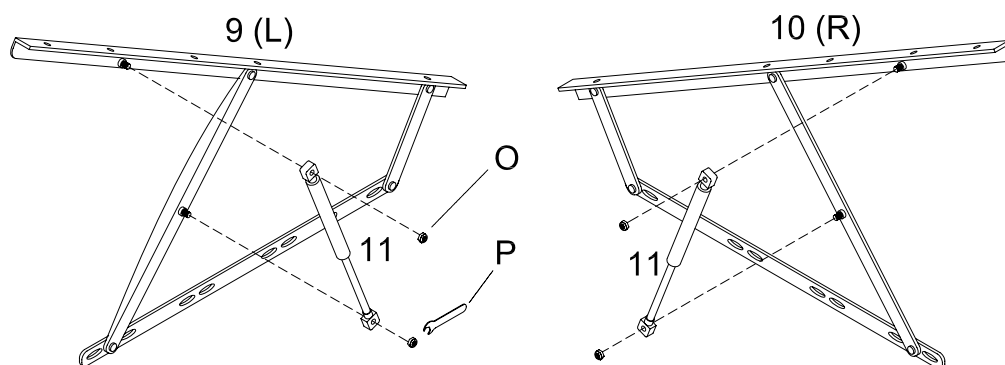
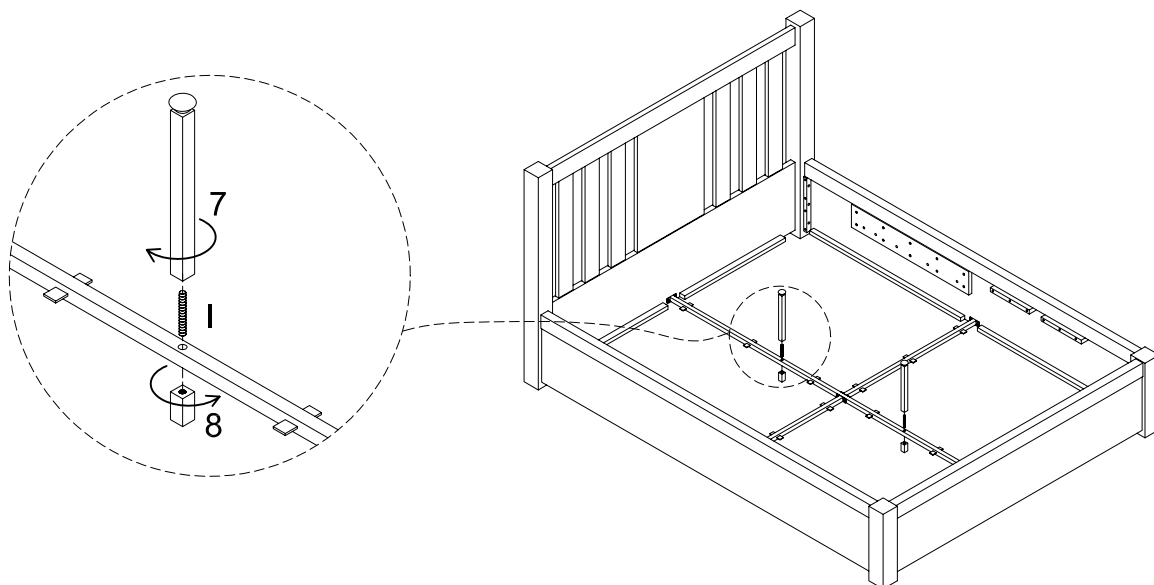


## Step 2

- Please insert all bolts in this section finger tight before full tightening.

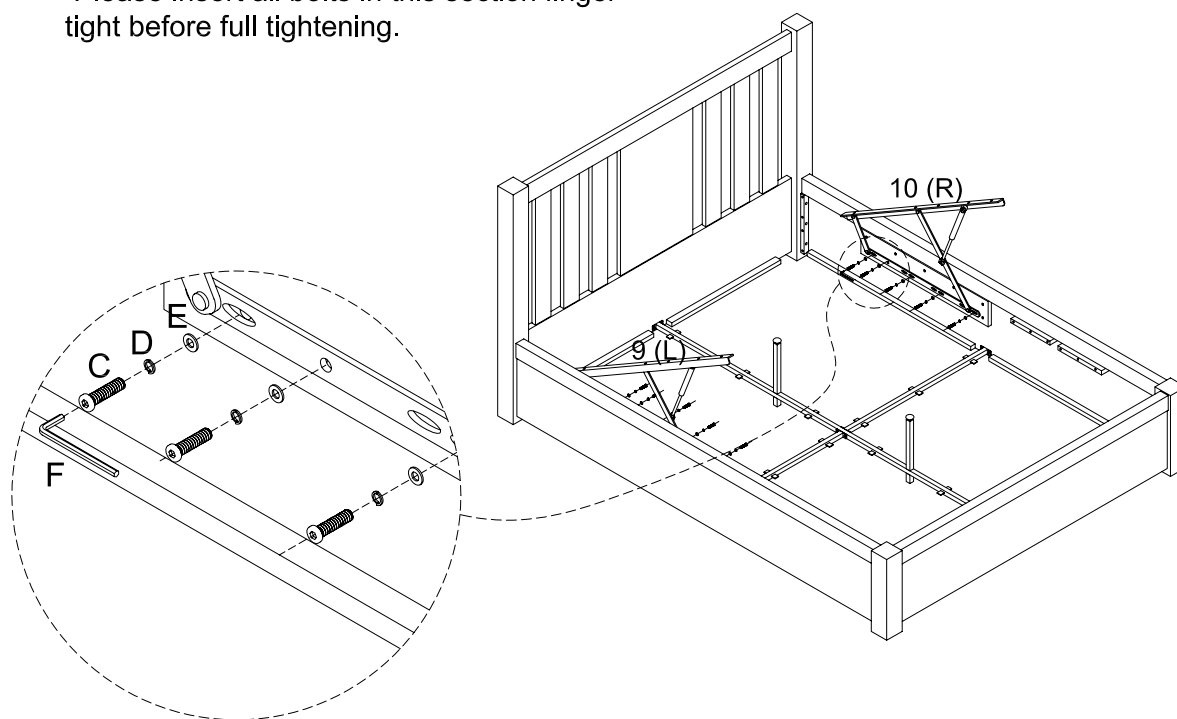


### Step 3



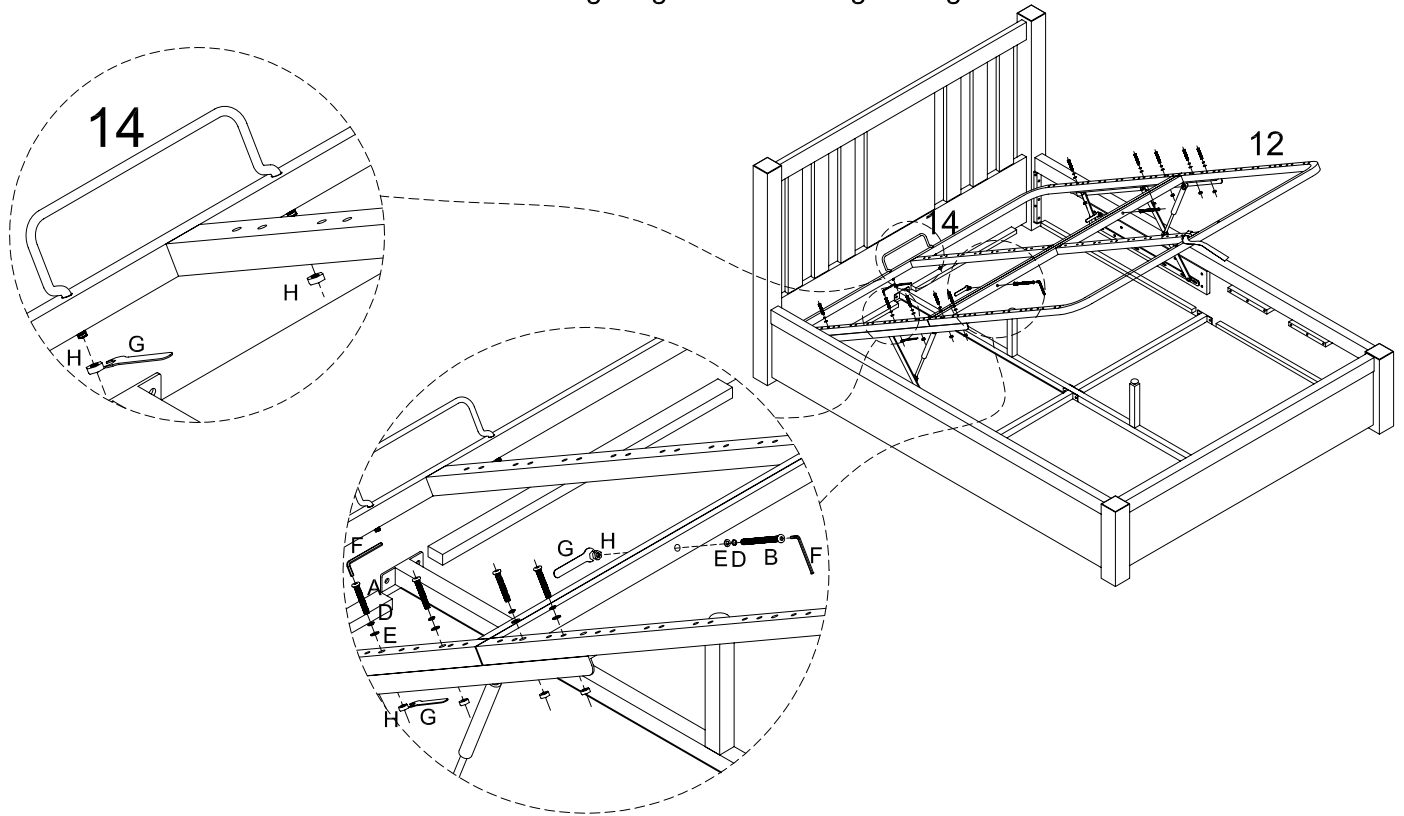
### Step 4

- Please insert all bolts in this section finger tight before full tightening.

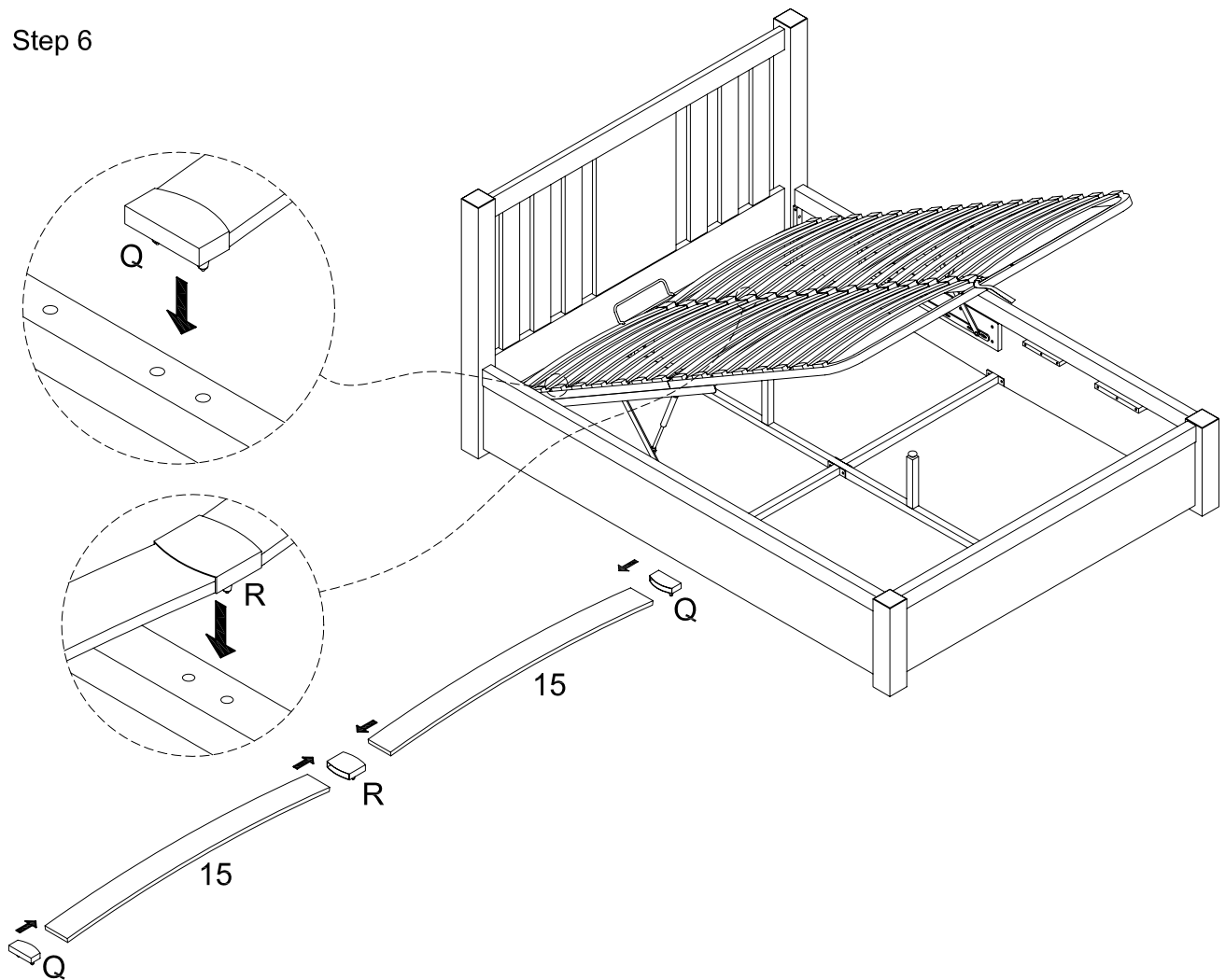


Step 5

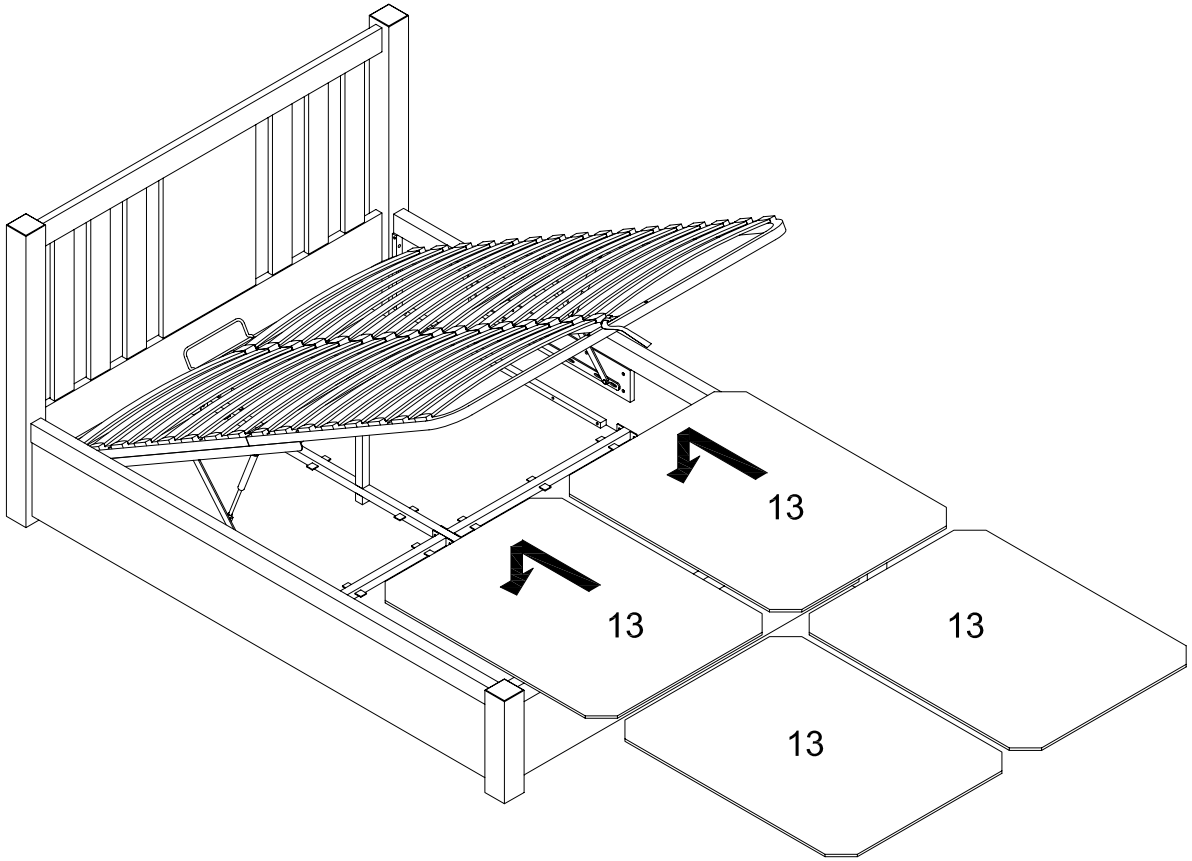
- Please insert all bolts in this section finger tight before full tightening.



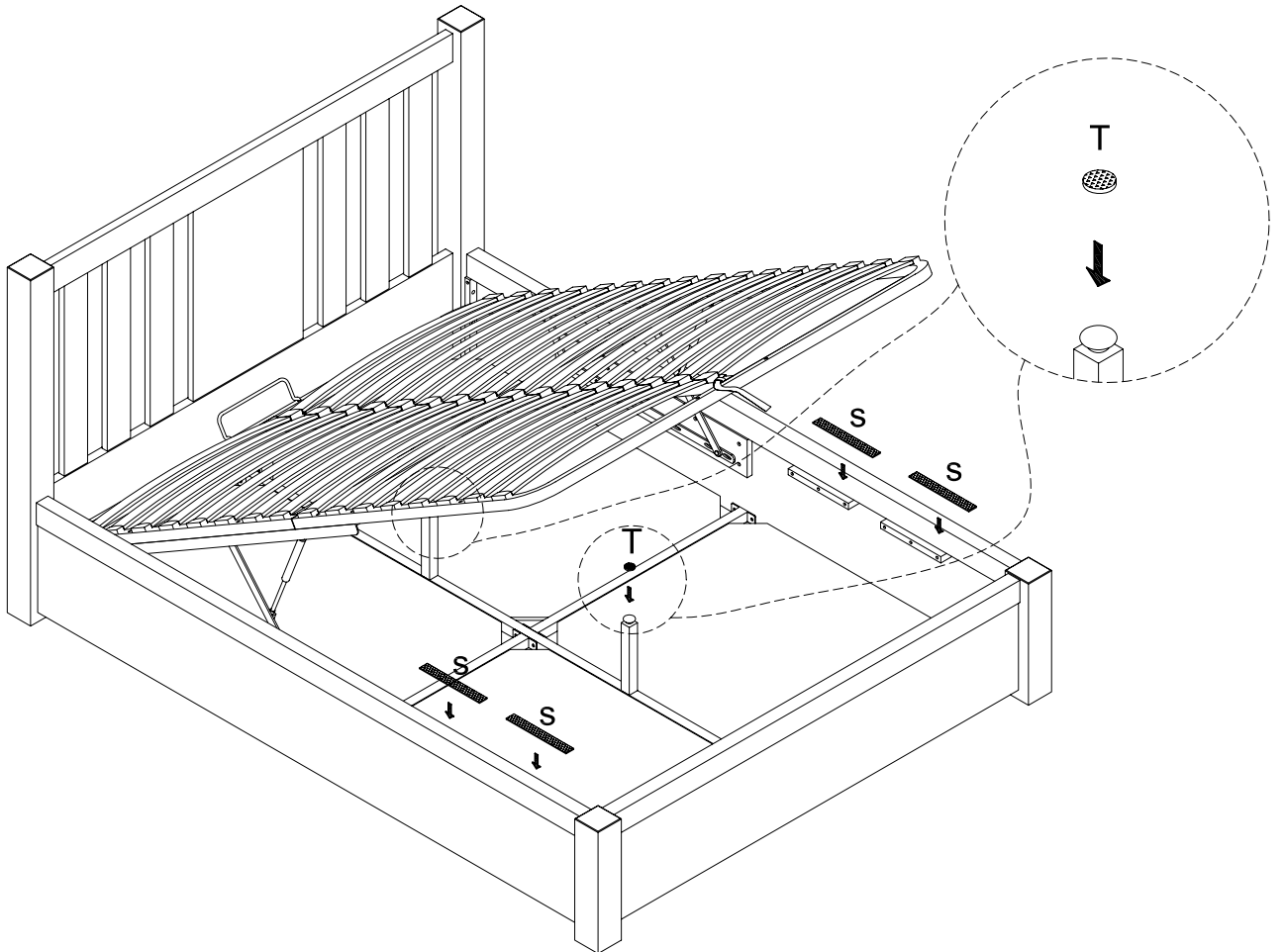
Step 6



Step 7



Step 8

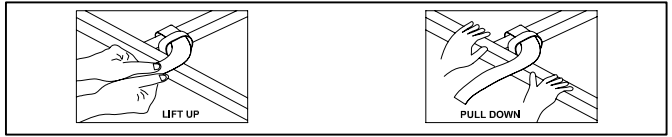


- Make sure the bed is square on all sides (4 corners) before you closing the lift base.
- The mattress must be fitted to the base.
- Do not operate the lift up mechanism without the mattress fitted to the base.

A. This Lift Mechanism provides assistance with the lift of the of mattress fitted to the base - it does not lift the mattress for you. The system has been designed to effectively lift the base system fitted with a variety of mattress weights and combinations of depth. Depending on the combination of mattress weight and depth determines the degree of assistance provided by the mechanism.

B. Following installation of the mechanism lift / pull the base up and down a few times to free off the system - the gas cylinders fitted to the system may be stiff when first used or if the system has not been operated for a period of time. The mattress must be fitted to the base.

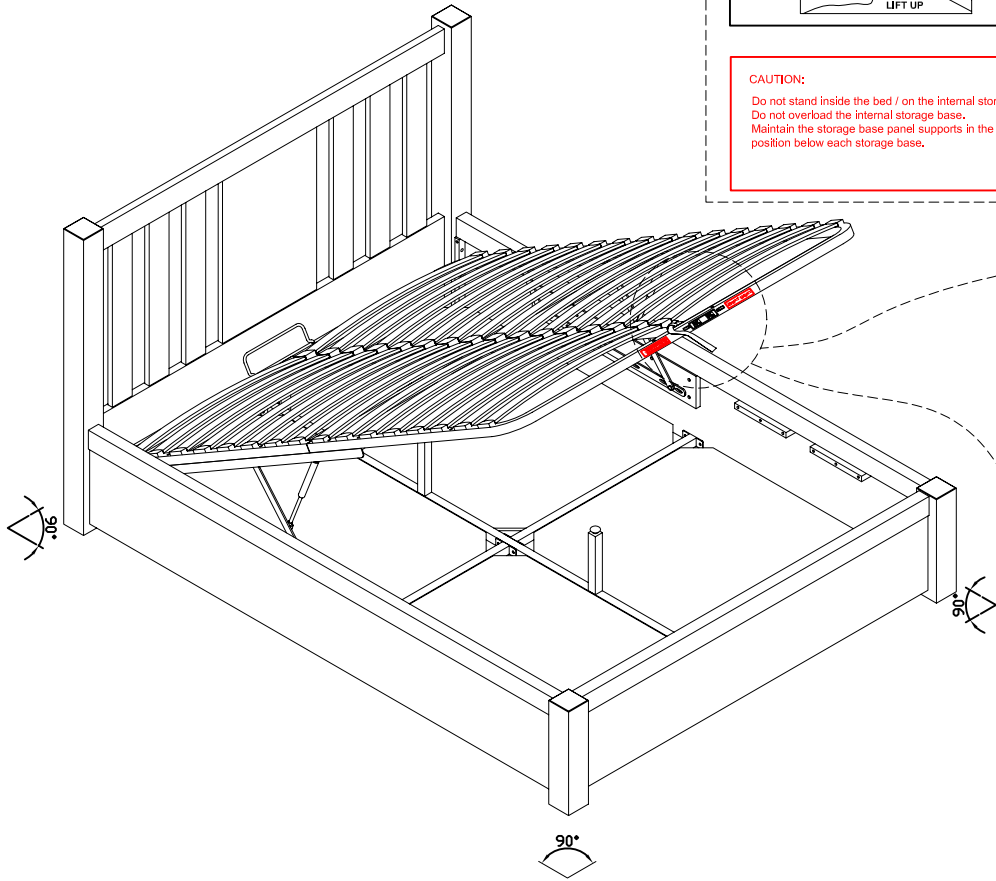
C. Use the strap handle to lift up the mattress base using two hands - Pull the mattress base down using two hands equally spaced from the centre of the mattress base. DO NOT pull down on one side of the base only as this is likely to damage the base system with potential failure of the mattress base system and lift mechanism. **Do not operate the lift up mechanism without the mattress fitted to the base.**



**CAUTION:**

Do not stand inside the bed / on the internal storage base. Do not overload the internal storage base. Maintain the storage base panel supports in the centre position below each storage base.

Do not stand inside the bed / on the internal storage base. Do not overload the internal storage base. Maintain the storage base panel supports in the centre position below each storage base.



**Make sure the Bed Frame 4 side angles are at 90 degrees before closing the lift base.**

- A. This Lift Mechanism provides assistance with the lift of the of mattress fitted to the base - it does not lift the mattress for you. The system has been designed to effectively lift the base system fitted with a variety of mattress weights and combinations of depth. Depending on the combination of mattress weight and depth determines the degree of assistance provided by the mechanism.
- B. Following installation of the mechanism lift / pull the base up and down a few times to free off the system - the gas cylinders fitted to the system may be stiff when first used or if the system has not been operated for a period of time. The mattress must be fitted to the base.
- C. Use the strap handle to lift up the mattress base using two hands - Pull the mattress base down using two hands equally spaced from the centre of the mattress base. DO NOT pull down on one side of the base only as this is likely to damage the base system with potential failure of the mattress base system and lift mechanism. **Do not operate the lift up mechanism without the mattress fitted to the base.**

**CAUTION:**

Do not allow children to operate the lift Mechanism .  
 Do not allow children near the lift base when operating the Mechanism.  
 Do not allow children in the area of the internal storage base.  
 Keep hands clear of the mechanism when operating the base system.  
 Do not stand inside the bed / on the internal storage base.  
 Do not overload the internal storage base.  
 Maintain the storage base panel supports in the centre position below each storage base.