

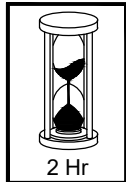
P.O.Number :
Please Keep This Number For
Future Reference
THIS FORMS PARTS OF
YOUR GUARANTEE!



Minimum two person assembly

Esther TV Bed OTTOMAN SIDE LIFT 135 / 150 / 180 cm Assembly Instructions

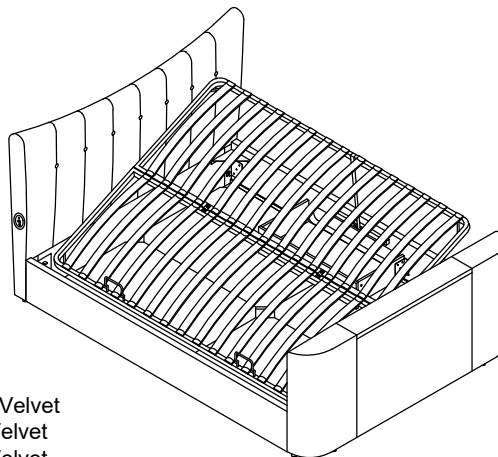
Please keep these instructions for future reference.



Approximate Assembly Time

Product Details

- STK786302 4'6 Bed Grey Velvet
- STK786304 5' Bed Grey Velvet
- STK786306 6' Bed Grey Velvet
- STK786301 4'6 Bed Emerald Green Velvet
- STK786303 5' Bed Emerald Green Velvet
- STK786305 6' Bed Emerald Green Velvet



Regrettably self-assembly items cannot be returned once assembly is part or fully completed unless the items are found to be faulty. Should you need to return the un assembled product, please repack in its original packaging.

Important Information

- We suggest you spend a short time reading through this leaflet and then follow the simple step-by-step instructions.
- Carefully check that you have all the parts before beginning assembly.
- Keep fittings out of children's reach and keep children well away from construction area.
- We suggest you retain these instructions for future reference.

Product Information

- Side lift up storage TV bed.
- Bedframe conforms to BSEN1725. Fabrics and fillings conform to BS5852.
- TV Lift system has a maximum load capacity of 80lbs (37kg)
- Compatible with slimline LED televisions with a screen size of 20" to 42".
- Maximum T.V dimensions D90mm x W970mm x H580mm (WITHOUT STAND).

Care Instructions

- Avoid exposing the furniture to excessive heat or direct sunlight as this can cause cracking or deterioration of the color.
- Periodically check & re-tighten any screws and fixings.
- Periodically dust lightly with a clean soft cloth.
- TAKE CARE WHEN MOVING THE FURNITURE AND NEVER DRAG THE PIECES ACROSS THE FLOOR, AS THIS WILL CAUSE DAMAGE TO THE JOINTS.

Whereas every effort has been made to allow this product to utilise the maximum number of TV's available it is not possible to accommodate every product in an ever changing market It is the responsibility of the customer to ensure suitability of the TV to the TV bed before attempting operation. It is the customers responsibility to ensure all wiring is correctly placed in accordance with both the TV and TV bed manufacturer.

Bensons for Beds will not be held responsible for any damage caused to the TV, TV Cabling or TV bed due to incompatibility of equipment used.

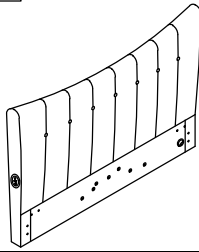


Conforms To: **The Esther Ottoman TV BED standards conforms to:-**

Model: 2.1 Remote:
UKCA & CE: RED(EMC+RF+Health) + LVD
- EN/BS 301489, EN/BS 300440, EN/BS 62368, EN/BS 62479 ROHS Directive
Model: 2.1 Audio:
UKCA & CE: RED(EMC+RF+Health) + LVD
- EN/BS 301489, EN/BS 300328 EN/BS 62479, EN/BS 62368, ROHS Directive

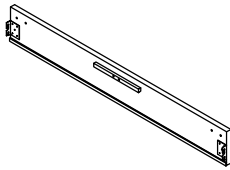
Components of Carton A

A Headboard x 1

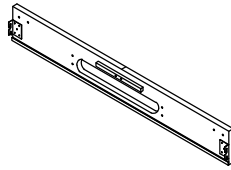


Components of Carton B

B Side Rail-1 x 1



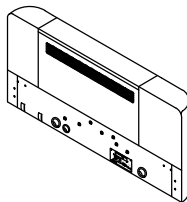
C Side Rail-2 x 1



NOTE: The side rails are interchangeable and can be located on either side. Decide which side the media compartment will be, (Side Rail **C**) before starting assembly.

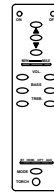
Components of Carton C

D Footboard x 1



TV Mechanism and sound system pre-assembled inside the footboard

E Remote Control x 1



Note – Packed Inside Footboard

Components of Carton D

F Lift Up Mechanism (Left) x 1



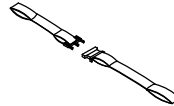
G Lift Up Mechanism (Right) x 1



H Corner Bracket x 4



I Retaining Strap x 1



J Mattress Retainer x 2



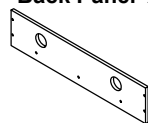
K DVD/Media Side Panel (Left) x 1



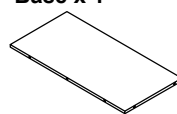
L DVD/Media Side Panel (Right) x 1



M DVD/Media Compartment Back Panel x 1



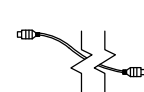
N DVD/Media Compartment Base x 1



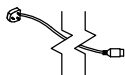
O Mattress Base Strap (Super King Size Only) x 1



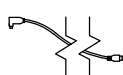
P HDMI Cable x 1



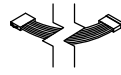
Q Mains Power Cable x 1



R Optical Cable x 1



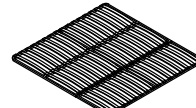
S Cables x 1



T Mattress Base x 1 (Double / King Size Only)



(Super King Size Only)

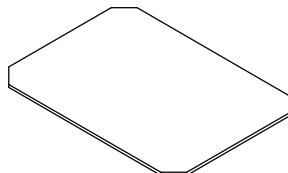


V - AH


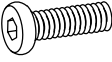
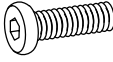
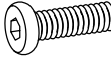


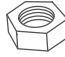



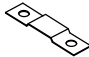


Hardware Box

Components of Carton E

U Base Panel x 4



HARDWARE LIST (IN CARTON D)

<p>(V) Allen Key (M4) x 1</p> 	<p>(W) M8 x 25mm x 36</p> 	<p>(X) M8 x 30mm x 8</p> 	<p>(Y) M8 x 45mm x 6</p> 
<p>(Z) M8 x 17mm x 50</p> 	<p>(AA) M8 x 12mm x 34</p> 	<p>(AB) M8 x 6</p> 	<p>(AC) Metal Plates x 2</p> 
<p>(AD) Spanner x 1</p> 	<p>(AE) Allen Key (M5) x 1</p> 	<p>(AF) Strap Bracket x 1</p> 	<p>(AG) Nut x 11</p> 
<p>(AH) M5 x 50mm x 11</p> 			

Tips before you start!

1. Please check that all parts are present before you start the assembly of your furniture.
2. For ease and speed of assembly, we recommend that before you commence each step of the assembly, that you identify all the parts required for that step.
3. For larger items, please ensure that you have sufficient space and people (as indicated on page 1) to assemble your product safely. (Minimum Two Persons)
4. We recommend where possible, all items are assembled near to the area where they will be used, to avoid moving the product unnecessarily once assembled.
5. Please ensure that your bed is placed on a level floor area. (Avoid setting up and installing your bed on uneven floor surface)
6. Ensure the bed is in close proximity to the power supply to be used.
7. For the protection of your furniture, we recommend that the product is placed on a protected surface during assembly to prevent any damage.
8. During assembly please take care not to over-tighten any fittings, as this may damage the product.

Care and Maintenance of your Furniture

- Please periodically check all fittings and re-tighten as necessary.
- To clean your item, please use a soft damp cloth and wipe clean.
- Please do not jump on your furniture.
- Never allow any kind of liquid to remain on your furniture. This can cause finishes to de-laminate. Take care when spraying Perfume and deodorants etc as the vapour can settle on the fabric surface and cause damage.
- Periodically check the condition of your bed slats and plastic locating caps to ensure they are in good condition and have not become loose.
- It is important to never drag your bed as this can cause damage to the joints and the fixings. This may invalidate your guarantee.
- The bed should always be lifted into position or if moved for cleaning. Do not attempt to drag the bed across the floor.

CUSTOMER SERVICES / AFTER SALES SUPPORT

• Technical (mechanical / electrical)

In the event you are experiencing any technical difficulties and you require additional assistance or support with your product 'Mechanical/ Electrical' function - Please contact:

SUPPORT EMAIL : customer.service@justwise.com

UKPRODUCT SUPPORT HOTLINE: 01799 513466

• Non technical (damage, faulty parts, missing parts).

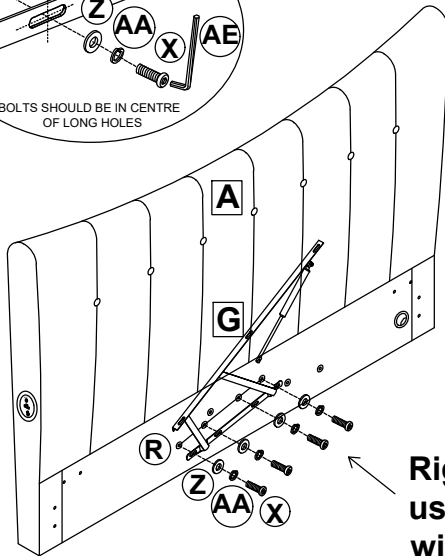
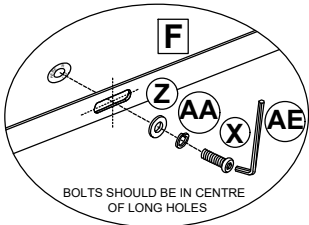
For all other issues such as damage, missing or faulty components (non electrical) or anything else of a non technical / electrical nature, contact the retailer directly.

4FT6 Double

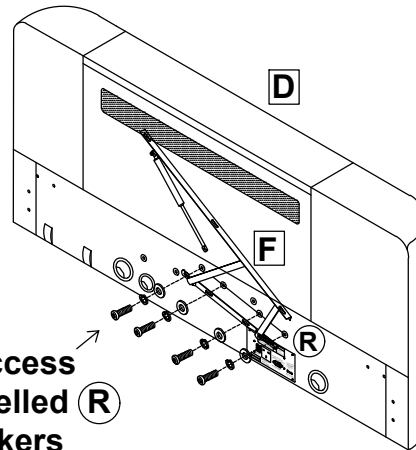
Right Side Access

Step 1a (choose which side you want to lift up)

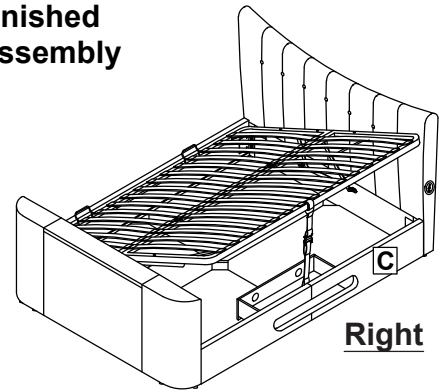
- Check this diagram and if access is needed from **Right** side of bed, fit both lift mechanisms as shown. Bolt into the holes marked **(R)** with blue labels. The lift mechanisms are labeled **A** & **D**. Please carefully follow the diagram below.



Right hand access
use holes labelled **(R)**
with blue stickers



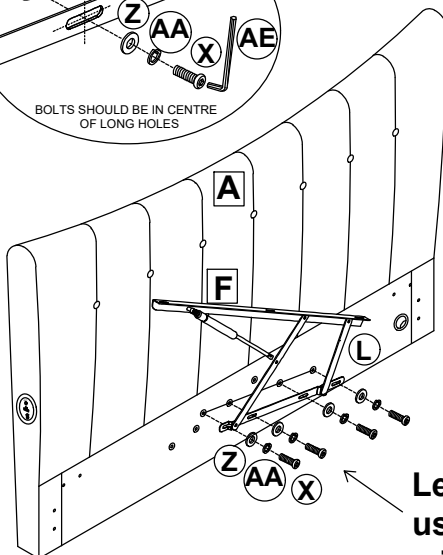
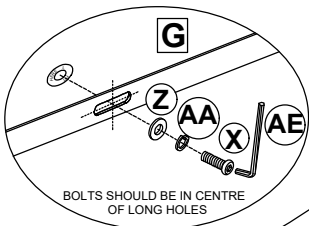
Finished Assembly



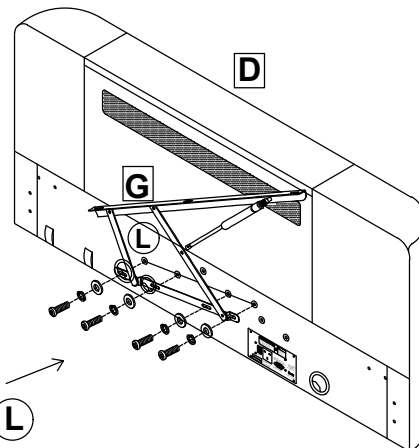
Left Side Access

Step 1b

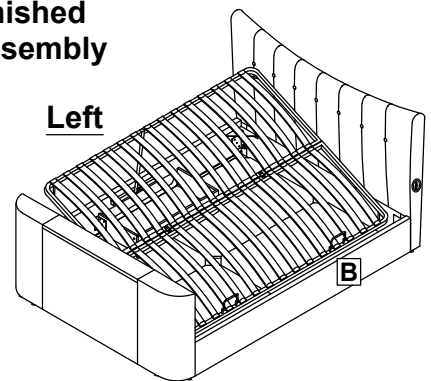
- Check this diagram and if access is needed from **Left** side of bed, fit both lift mechanisms as shown. Bolt into the holes marked **(L)** with red labels. The lift mechanisms are labeled **A** & **D**. Please carefully follow the diagram below.



Left hand access
use holes labelled **(L)**
with red stickers



Finished Assembly

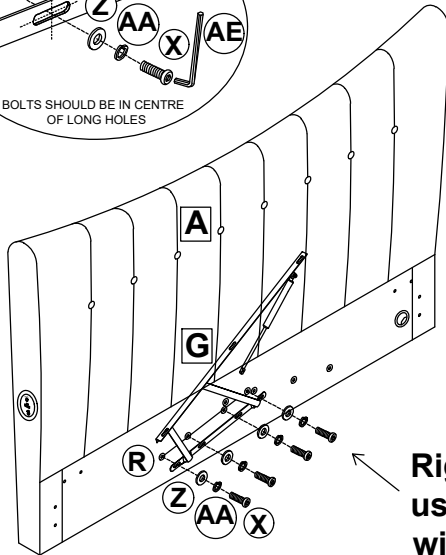
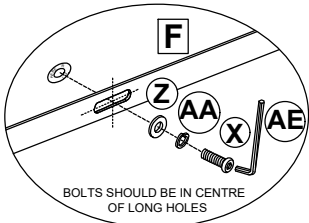


5FT King

Right Side Access

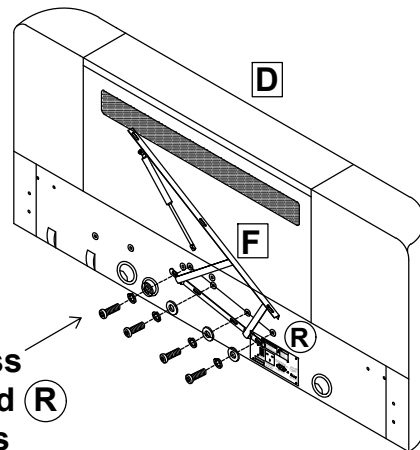
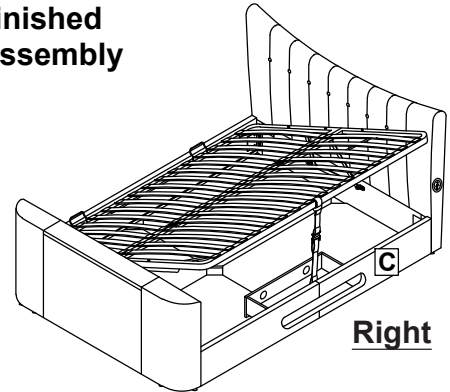
Step 1a (choose which side you want to lift up)

- Check this diagram and if access is needed from **Right** side of bed, fit both lift mechanisms as shown. Bolt into the holes marked **(R)** with blue labels. The lift mechanisms are labeled **A** & **D**. Please carefully follow the diagram below.



Right hand access
use holes labelled **(R)**
with blue stickers

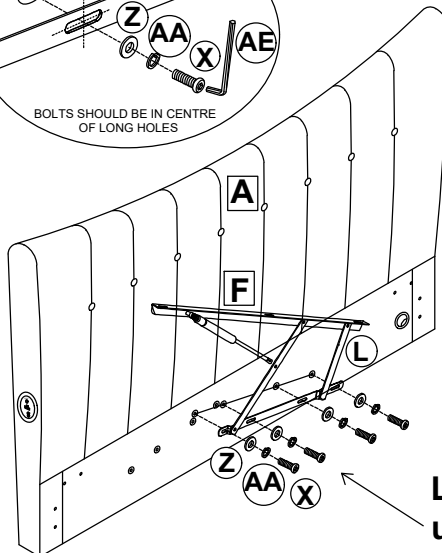
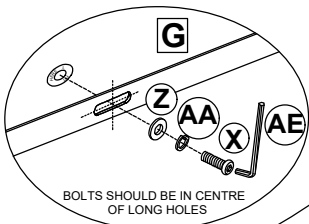
Finished Assembly



Left Side Access

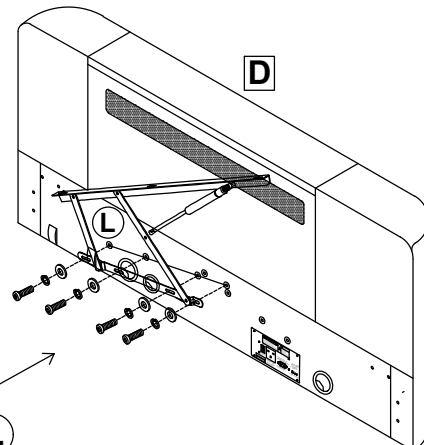
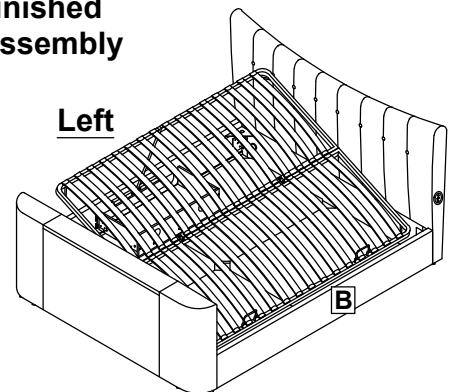
Step 1b

- Check this diagram and if access is needed from **Left** side of bed, fit both lift mechanisms as shown. Bolt into the holes marked **(L)** with red labels. The lift mechanisms are labeled **A** & **D**. Please carefully follow the diagram below.



Left hand access
use holes labelled **(L)**
with red stickers

Finished Assembly

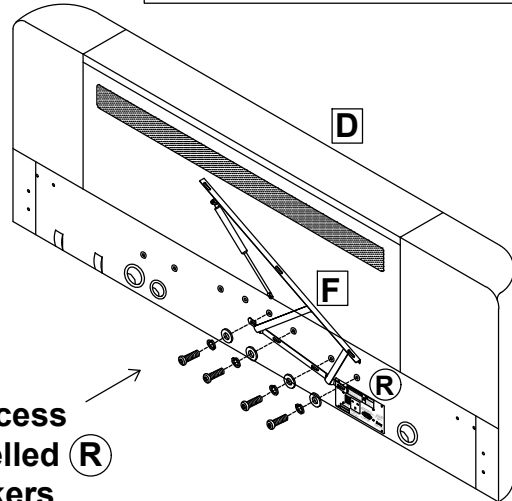
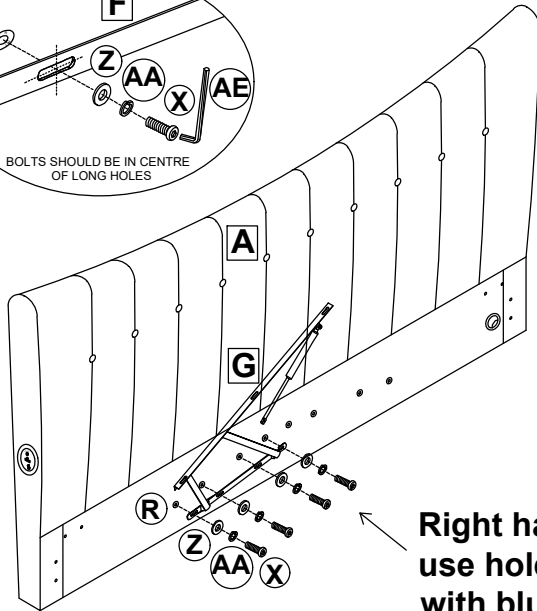
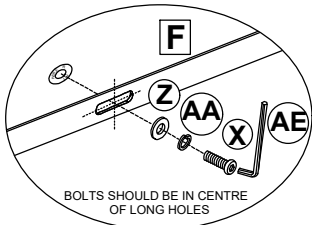


6FT Super King

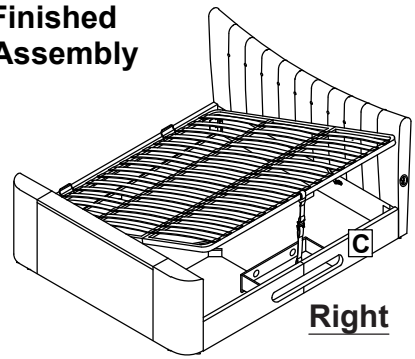
Right Side Access

Step 1a (Choose which side you want to lift up)

- Check this diagram and if access is needed from **Right** side of bed, fit both lift mechanisms as shown. Bolt into the holes marked **(R)** with blue labels. The lift mechanisms are labeled **A** & **D**. Please carefully follow the diagram below.



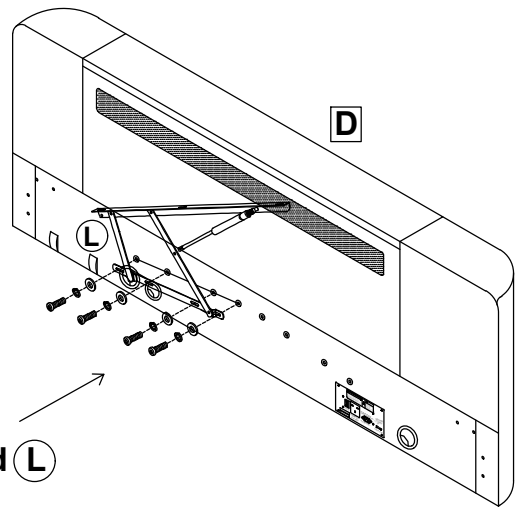
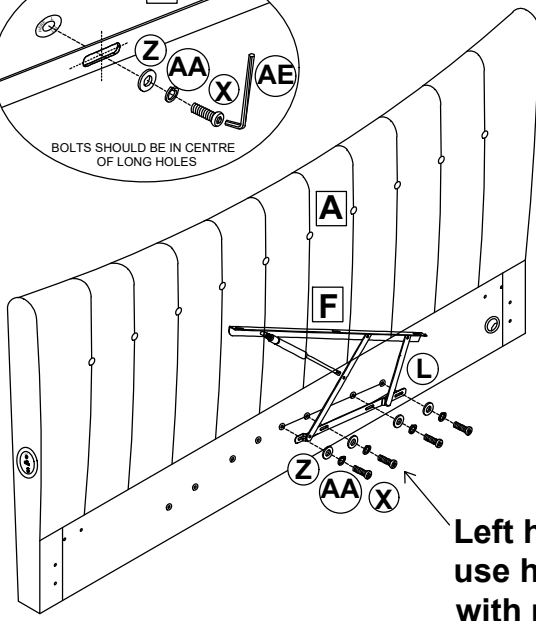
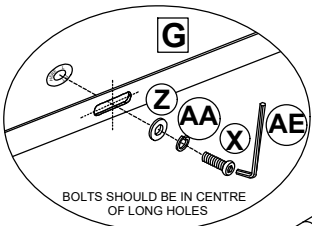
Finished Assembly



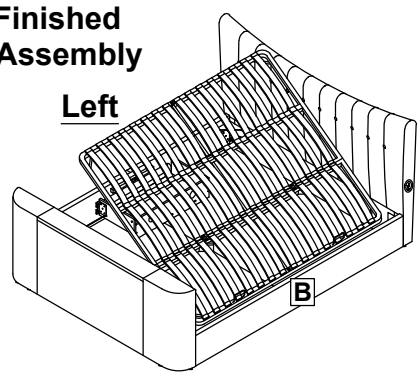
Left Side Access

Step 1b

- Check this diagram and if access is needed from **Left** side of bed, fit both lift mechanisms as shown. Bolt into the holes marked **(L)** with red labels. The lift mechanisms are labeled **A** & **D**. Please carefully follow the diagram below.

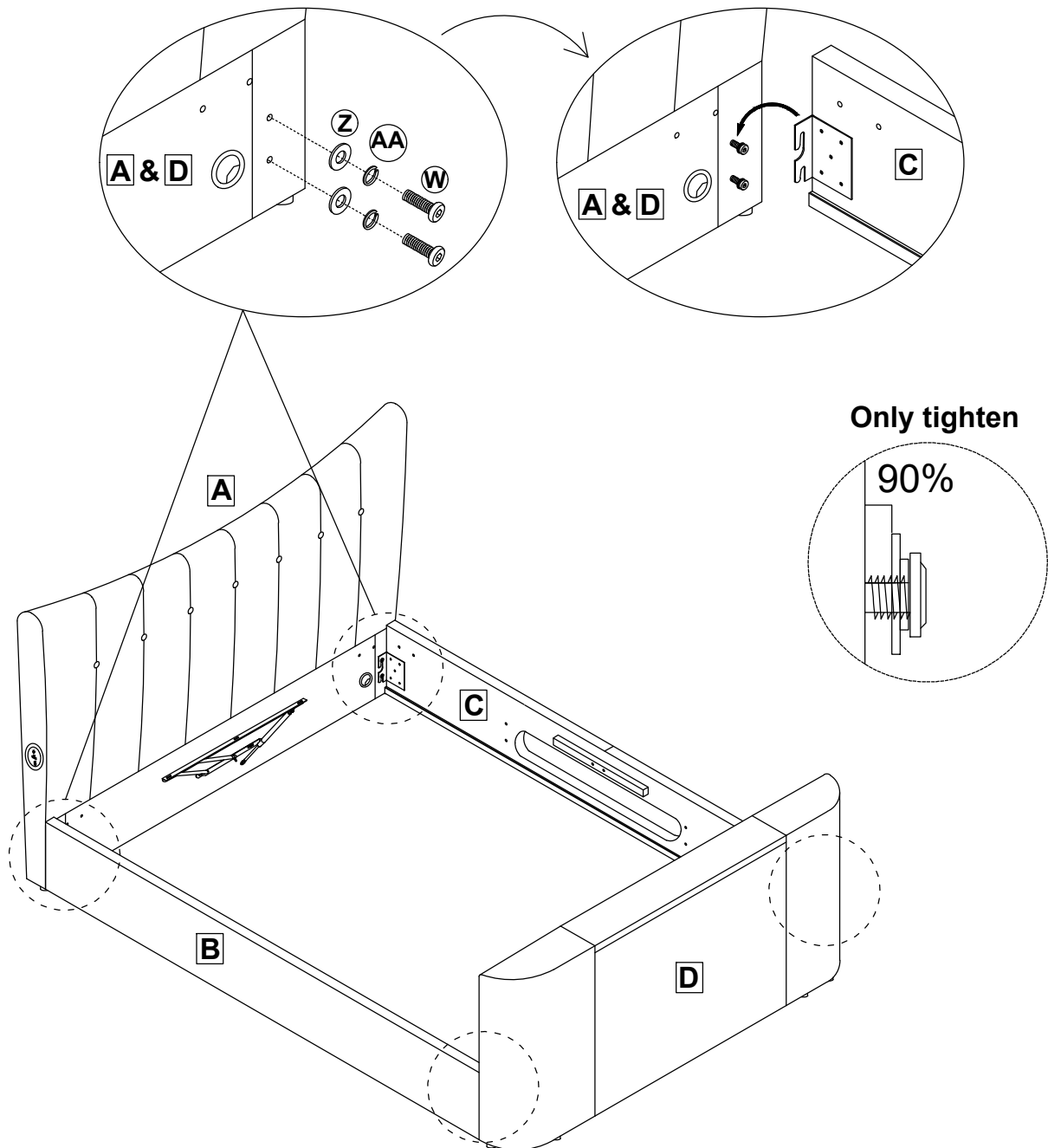


Finished Assembly



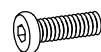
Step 2

- Before assembly please decide which side you require the "DVD / Media Compartment " Part **C** side rail (with opening) will need to be placed at that side.
- Screw fixings **W**, **Z** and **AA** loosely into headboard **A** and footboard **D**.
- With help, carefully hook side rails **B** and **C** over the screws.



NOTE: Do not fully tighten the fixings at this stage.

W x 8



Z x 8

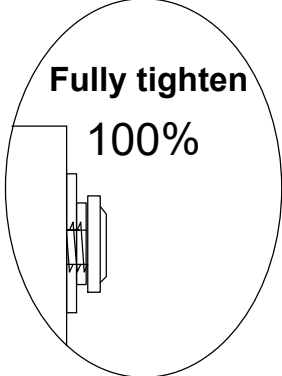
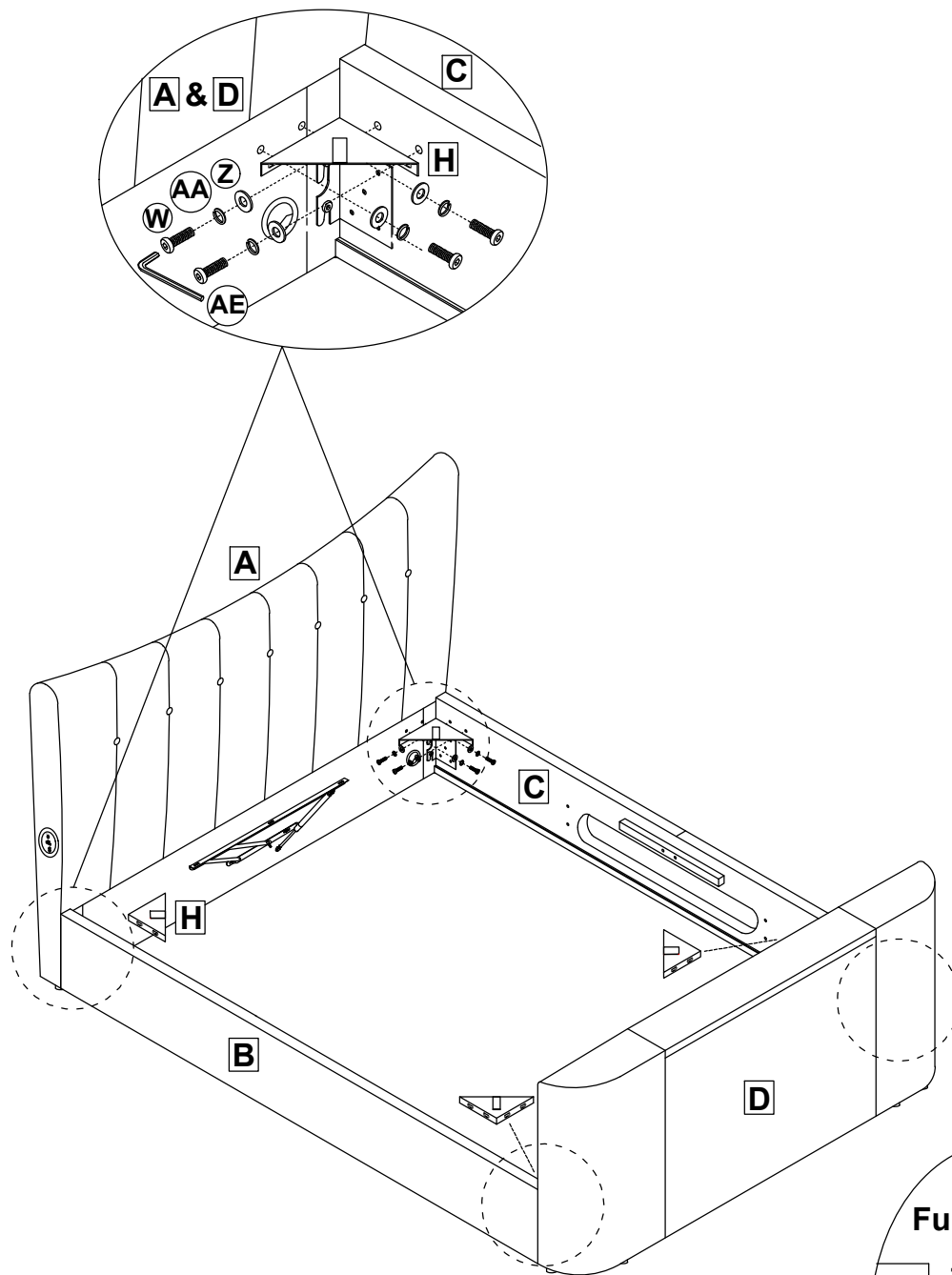


AA x 8

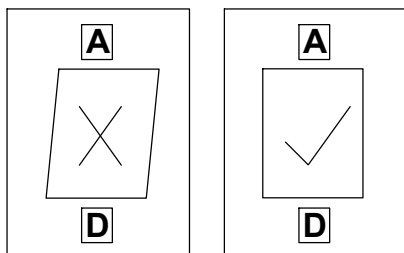


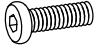



Step 3

- Assemble corner brackets **H**.
- Ensure frame is straight and square before fully tightening fixings.



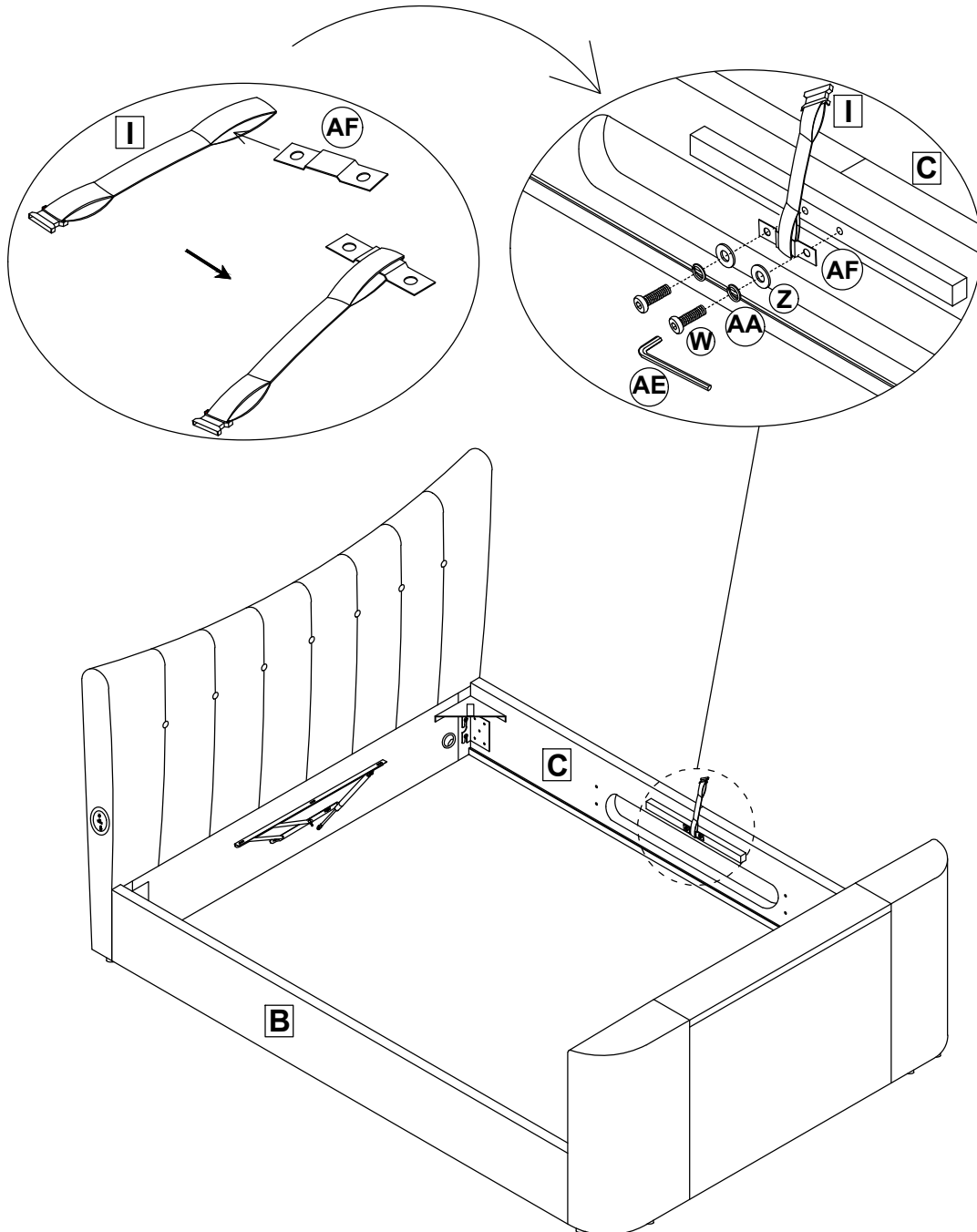
Ensure frame is square before tightening fixings



W x 16 	Z x 16 	AA x 16 	AE x 1 
--	--	---	--

Step 4

- Assemble retaining strap **I** to side rail **C** using strap bracket **AF**.



(W) x 2



(Z) x 2



(AA) x 2



(AE) x 1

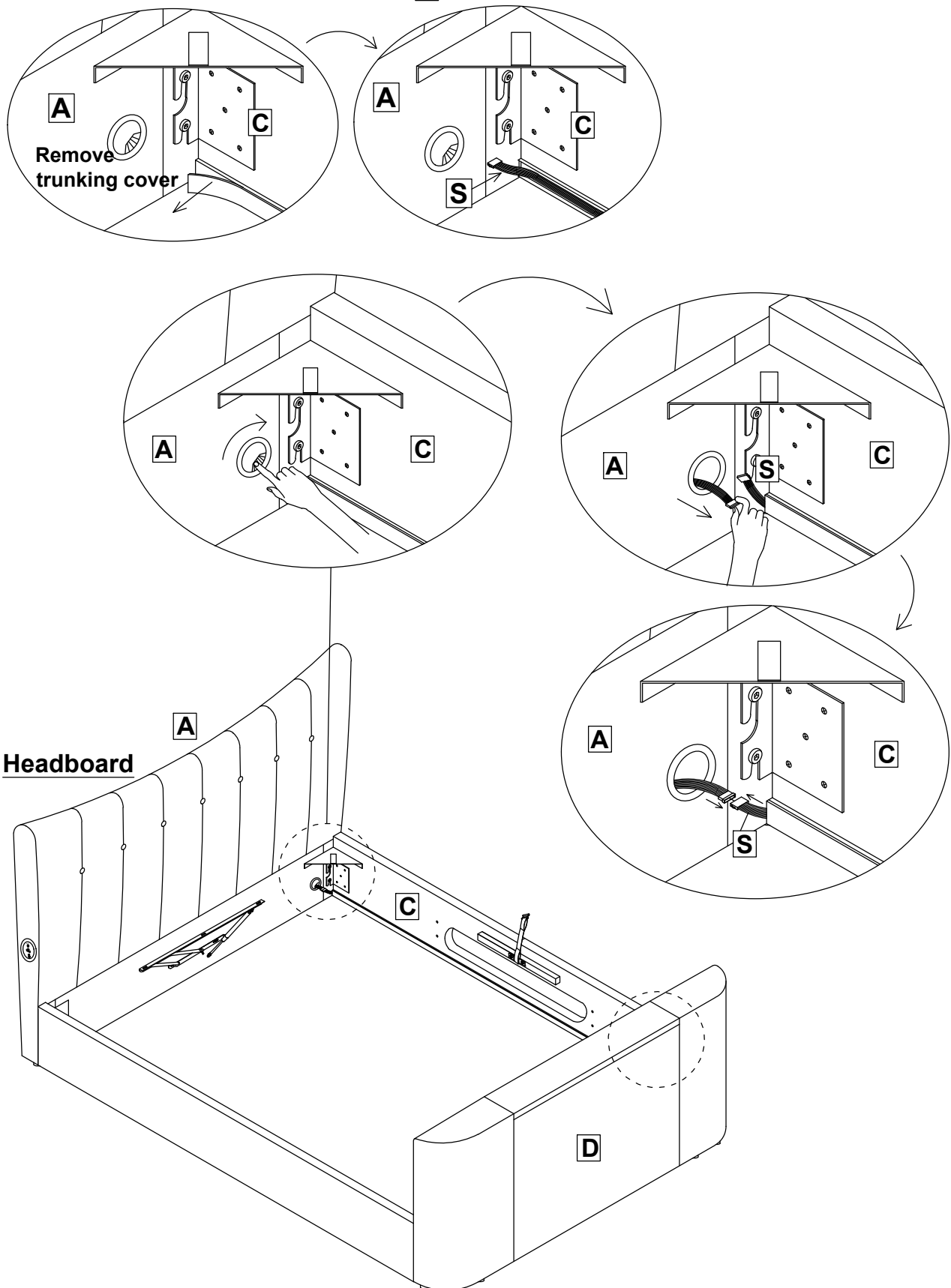


(AF) x 1



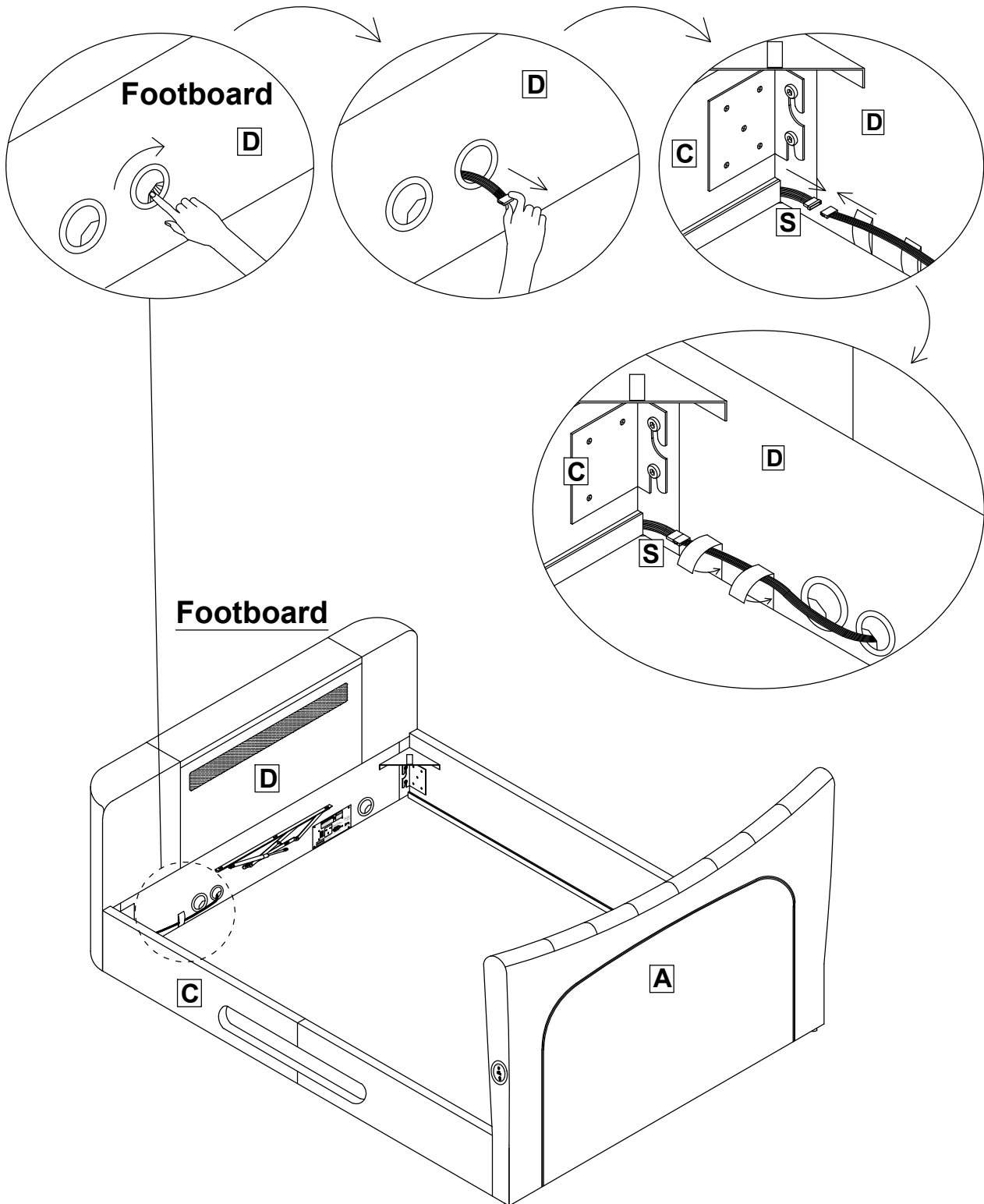
Step 5 - Headboard cable connection

- Remove front cover from trunking at the bottom edge of the right hand side rail **C** .
- Locate cable **S** inside trunking and reolace cover.
- Turn the cover cap at the bottom of headboard **A** replace to access the cables inside.
- Pull out the cable and connect to cable **S** .



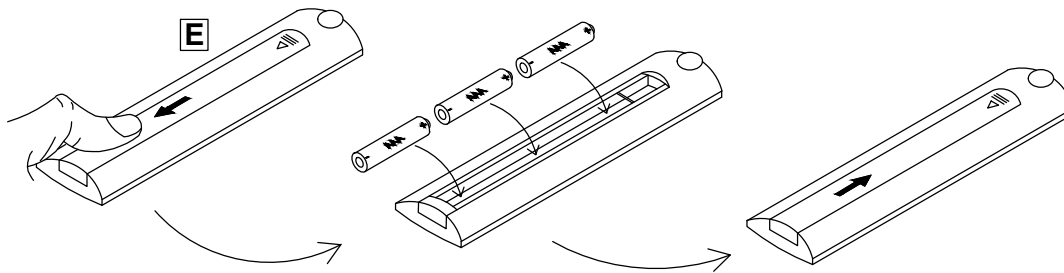
STEP 6 - Footboard cable connection

- Turn the cover cap at the bottom of footboard **D** to access the cables inside.
- Pull out the cable and connect to cable **S**.
- Replace trunking cover.



Step 7

- Install batteries into remote control.

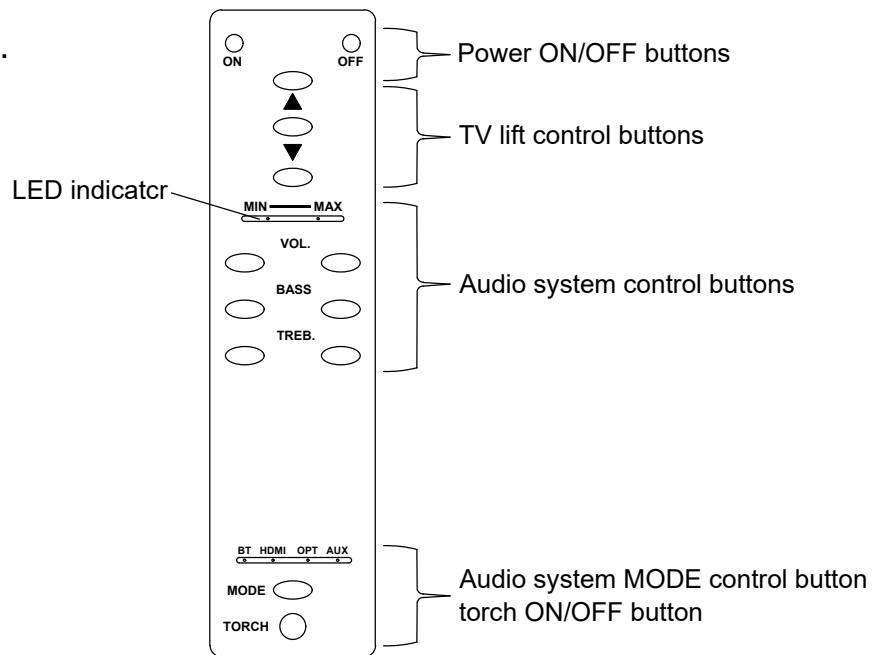


Requires x3 "AAA" batteries

Step 8

IMPORTANT - Remote Control is packed inside the Footboard.

REMOTE CONTROL



Control Method:-

Power function (ON / OFF) . The led indicator of the remote will illuminate when power is on.

The remote control is divided into three sections:-

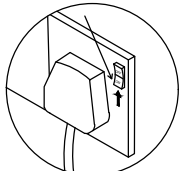
1. The three buttons at the top (with arrows) are used to control the TV lift operation;
2. The central buttons control the sound system Volume/Bass/Treble. The levels are indicated by the blue LED light bar. The sound can be moved between speakers in the direction shown on the remote. To return it to central press the middle button.
3. The lower buttons are for the required mode. Bluetooth/HDMI/Optical/Auxiliary .

When in bluetooth mode, there is an audible voice message "THE BLUETOOTH DEVICE IS CONNECTED SUCCESSFULLY" when the audio system bluetooth is connected. The message "THE BLUETOOTH DEVICE IS DISCONNECTED" is heard when the audio system bluetooth is disconnected. Please note only one bluetooth device can be connected at any one time. If there is difficulty in connecting a device always check that all other devices have been disconnected first.

The TORCH button is used to control the ON/OFF of the light located at the back of the remote control.

For the first time and occasionally thereafter, you may find the system may lose synchronization between the remote control and the TV Lift/audio system. This is due to unavoidable environmental influences. If this happens, please follow below instructions to re-sync:

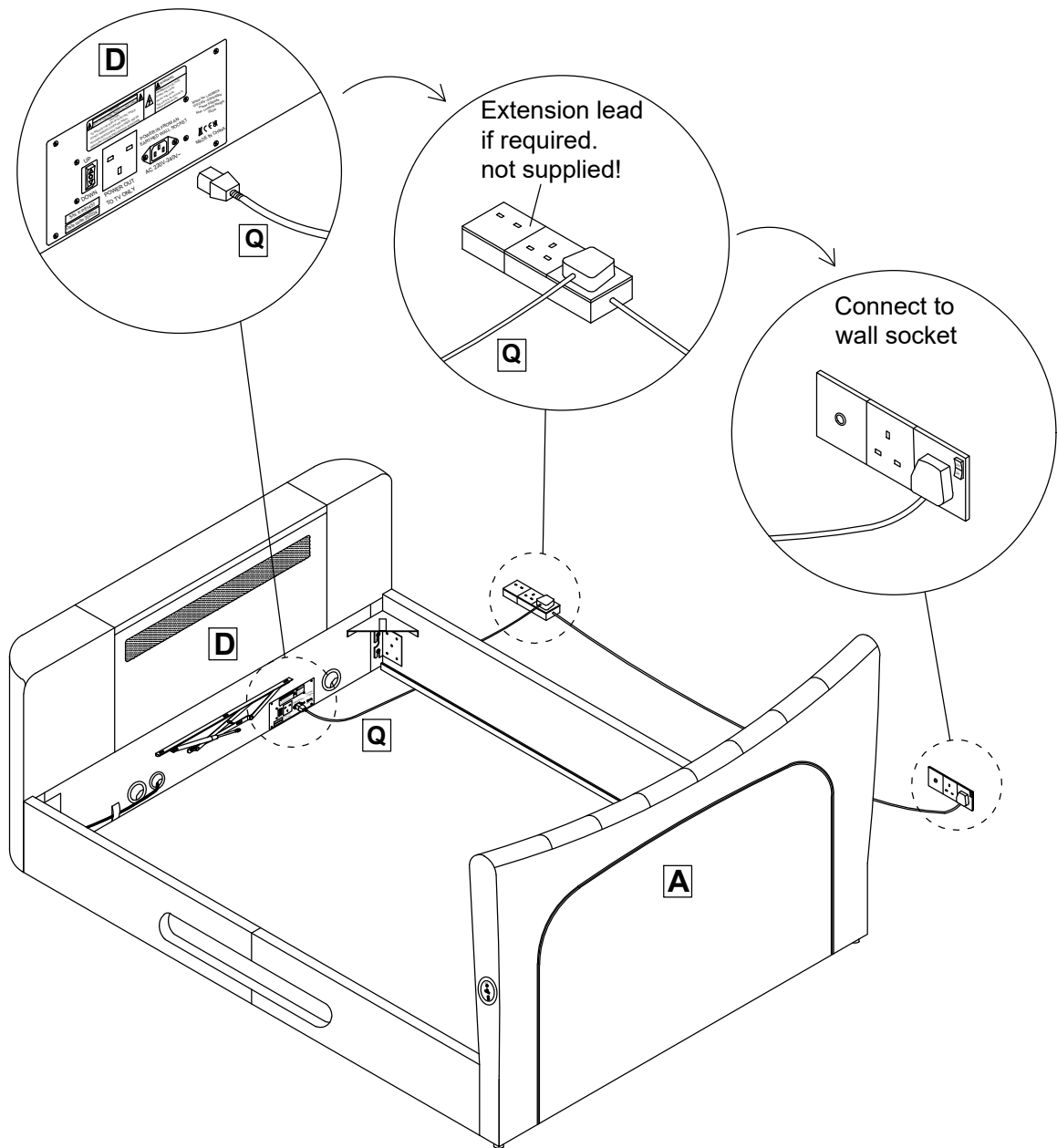
1. Turn OFF the power supply from the power socket.
2. Press the "ON" button at the top of the remote control for 3 seconds.
3. Press and continuously hold the "UP" button of the remote control.
4. Power ON the power supply from the power socket while continuously pressing the "UP" Button of the remote control.



**Do not take your finger off of the "UP" button of the remote control.
Only release the "UP" button once the lift starts to operate (Should not take longer than 5 seconds!)**

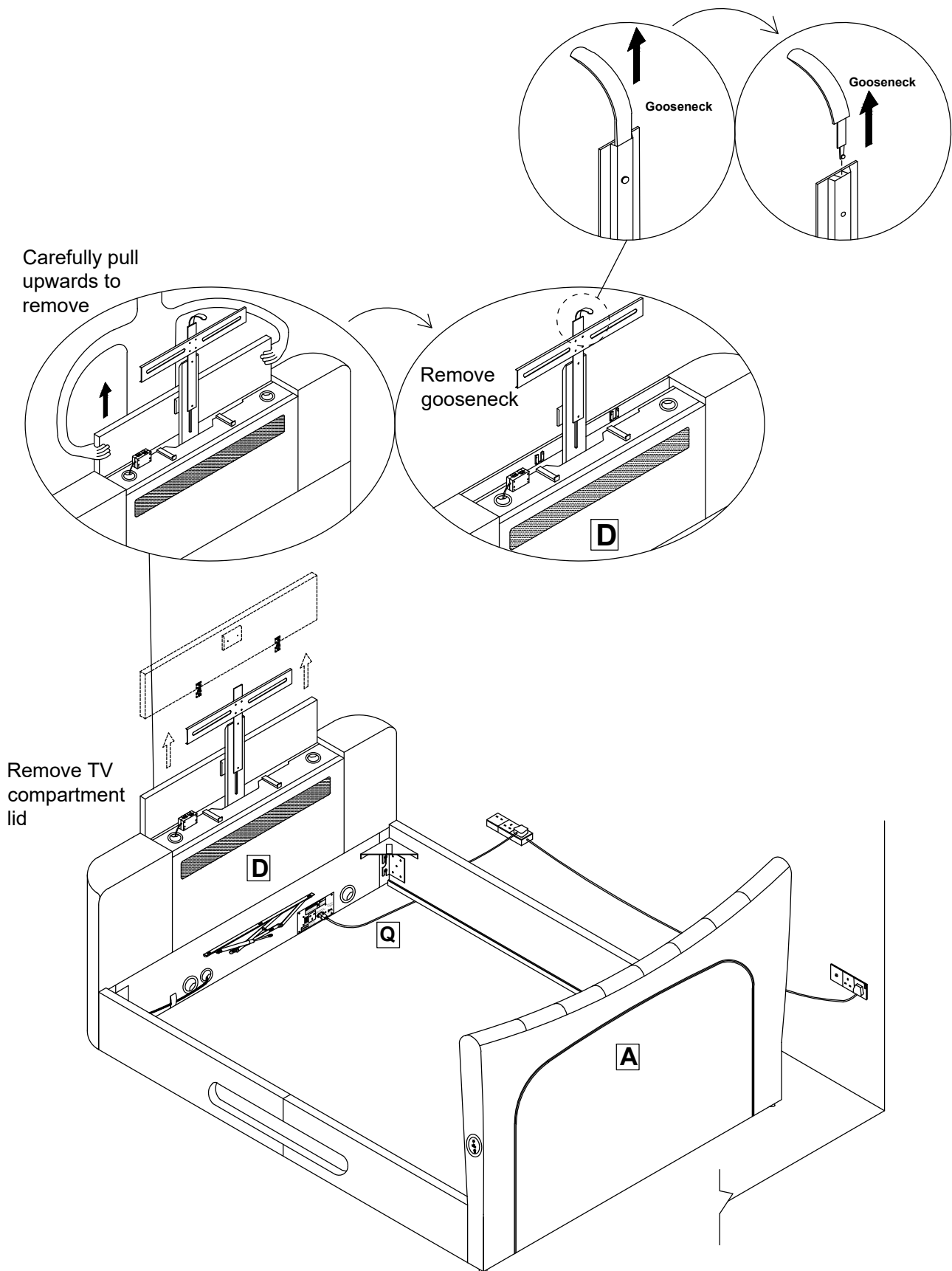
Step 9

- Plug power cable **Q** into footboard **D**.



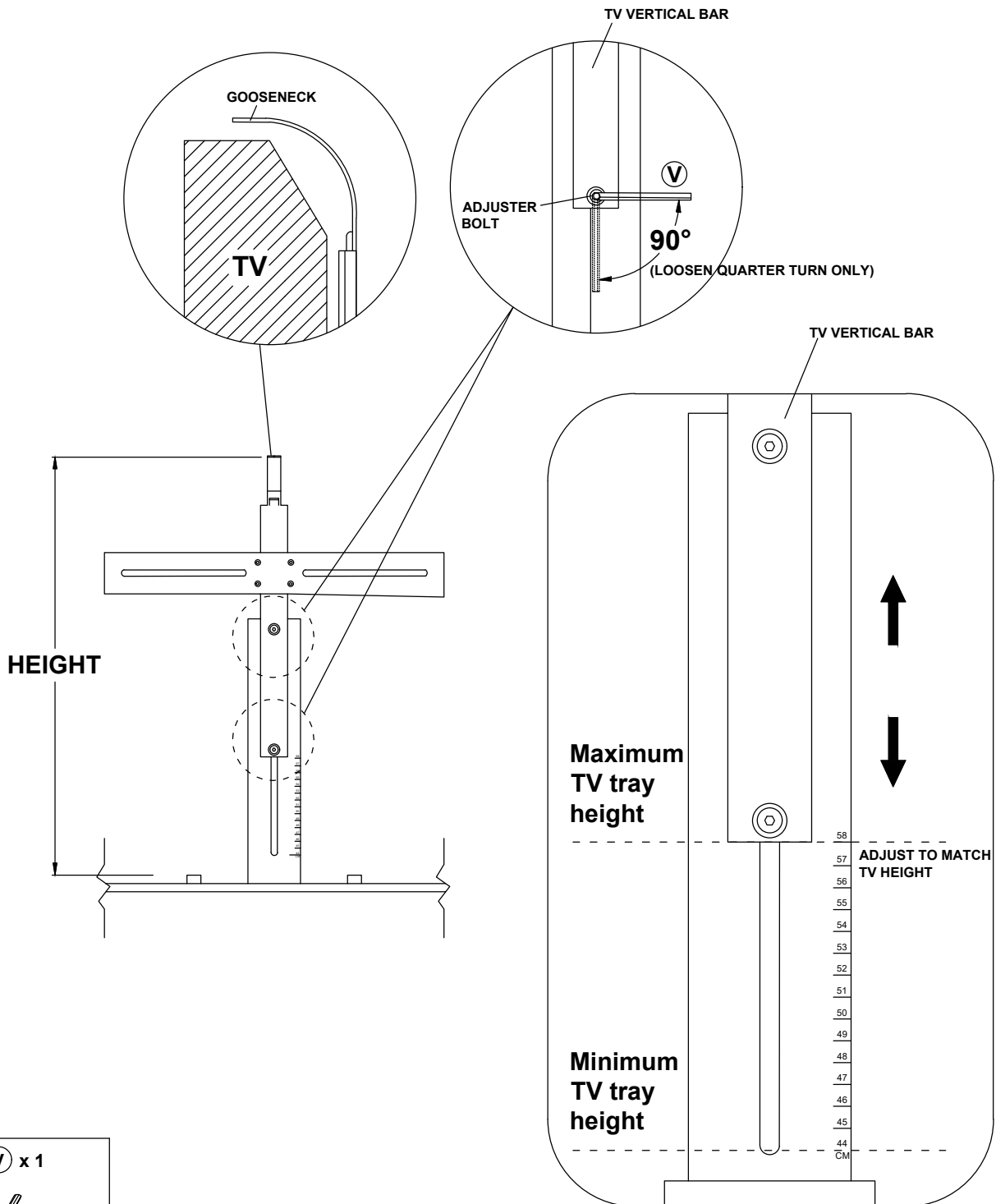
Step 10

- For easier access during TV installation, carefully remove the TV compartment lid as shown.



Step 11

- To adjust the TV tray to suit the height of your TV (without stand). Please follow steps below
 - 11.1 : Measure and make a note of the height of your TV (without stand!).
 - 11.2 : Use Allen key (V) to slightly loosen the up / down adjuster bolts (quarter turn only). Do not remove fully. (Please refer diagram below)
 - 11.3 : Slide "the TV vertical bar up / down, while using the measure line to match the noted measurement height of your TV. Then fully re tighten the adjuster bolts..
 - 11.4 : When the TV is mounted correctly (see Step 12) it should sit neatly just beneath the Gooseneck as shown.

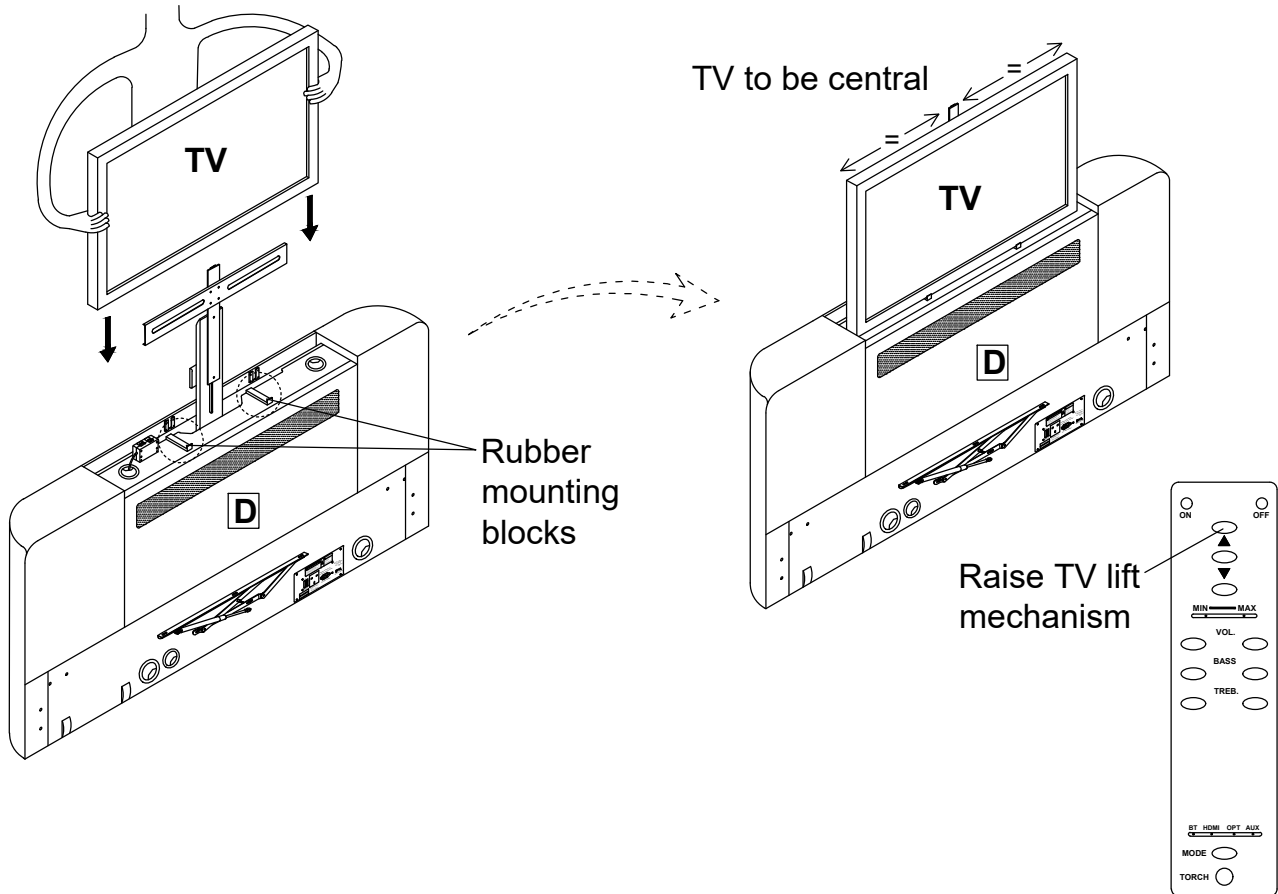


(V) x 1



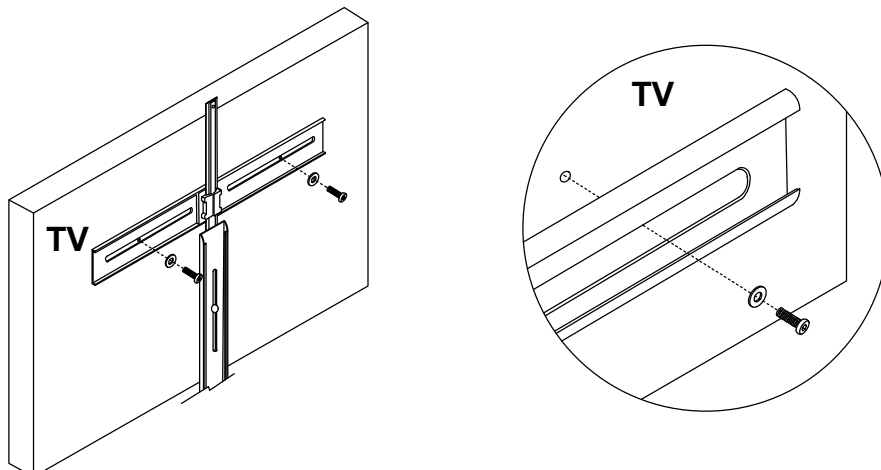
Step 12

- You are now ready to install the TV.
- Using the remote control, raise the TV lift mechanism to its highest position.
- While standing behind your television (on the outside end of the footboard facing the headboard) carefully place the TV on top of the two rubber TV mounting blocks. Ensure the main stem is perfectly inline with the 'centre' of the TV.



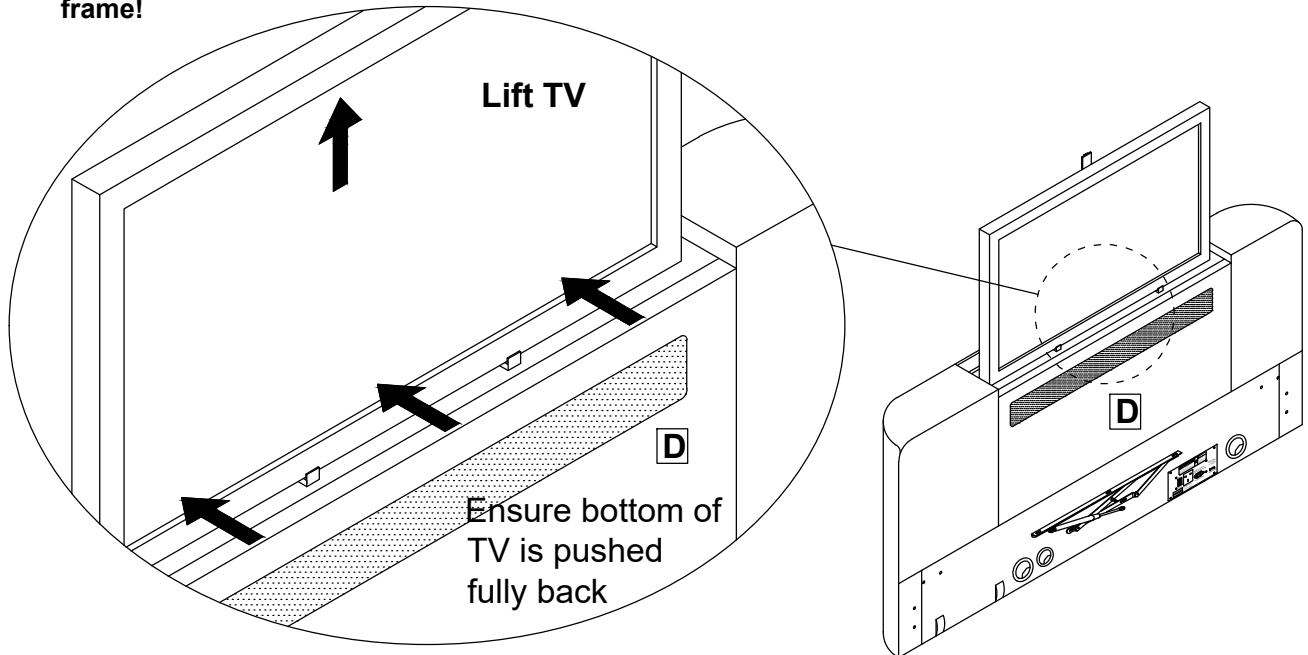
Step 13

- TV Flat Bracket.
- Using the screws supplied with your TV, secure the TV to the bracket on the lift mechanism. If different screws are required, these should be sourced from your local hardware store or TV specialist.
- Washers may also be required. Your local TV retailer may also supply alternative fixings depending on the TV model supplied.



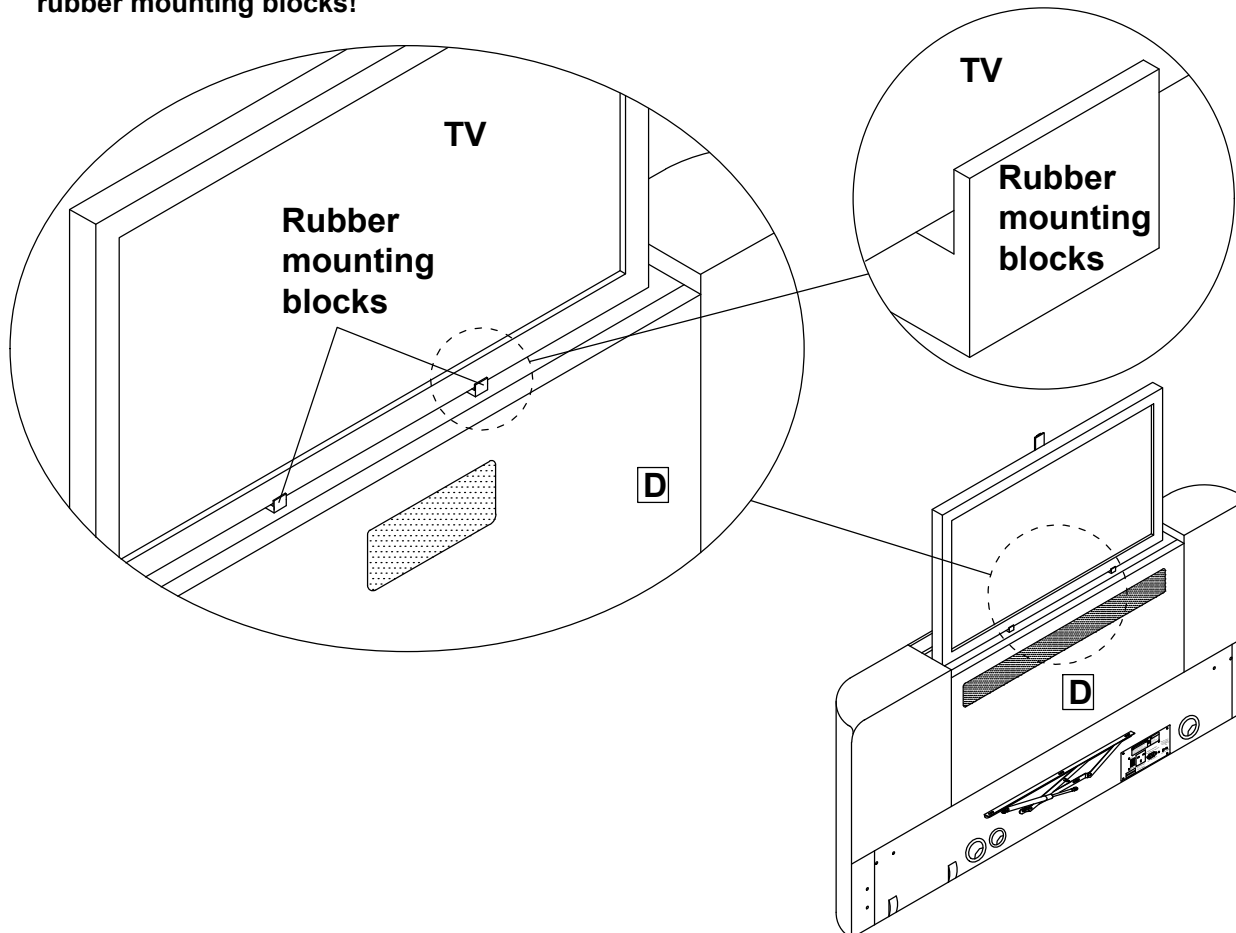
Step 14

- Once the TV is assembled to the mast, lift it clear of the two rubber pads and ensure it is pushed fully back against the mast.
- Lower back down onto the pads.
- Before operating the TV lift, visually check that the TV is completely clear of the surrounding frame!



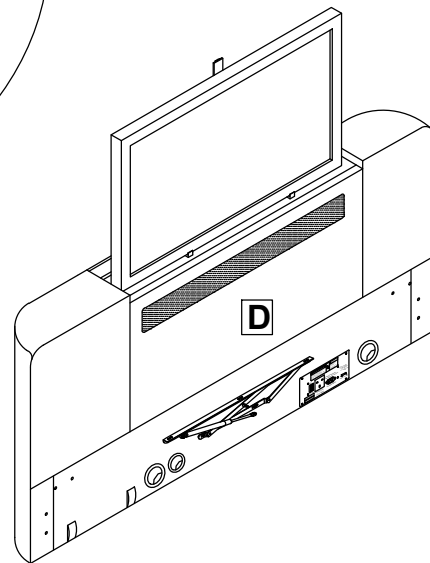
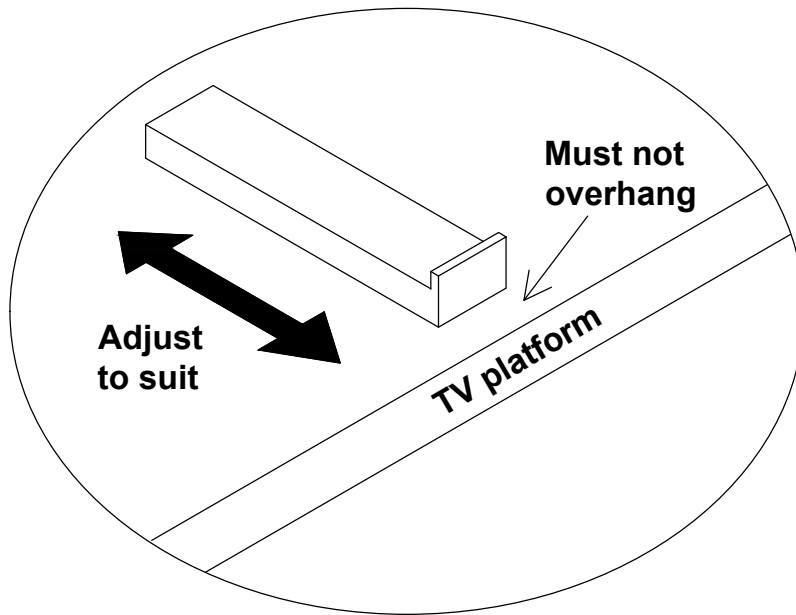
Step 15

- **IMPORTANT:** Ensure the front of the TV is carefully located inside the lip on the front edge of the rubber mounting blocks!



Step 16

- If necessary the rubber blocks can be adjusted to align correctly with the front of the TV.
- **IMPORTANT:** It is important the rubber blocks do not overhang the front edge of the TV platform.



Step 17

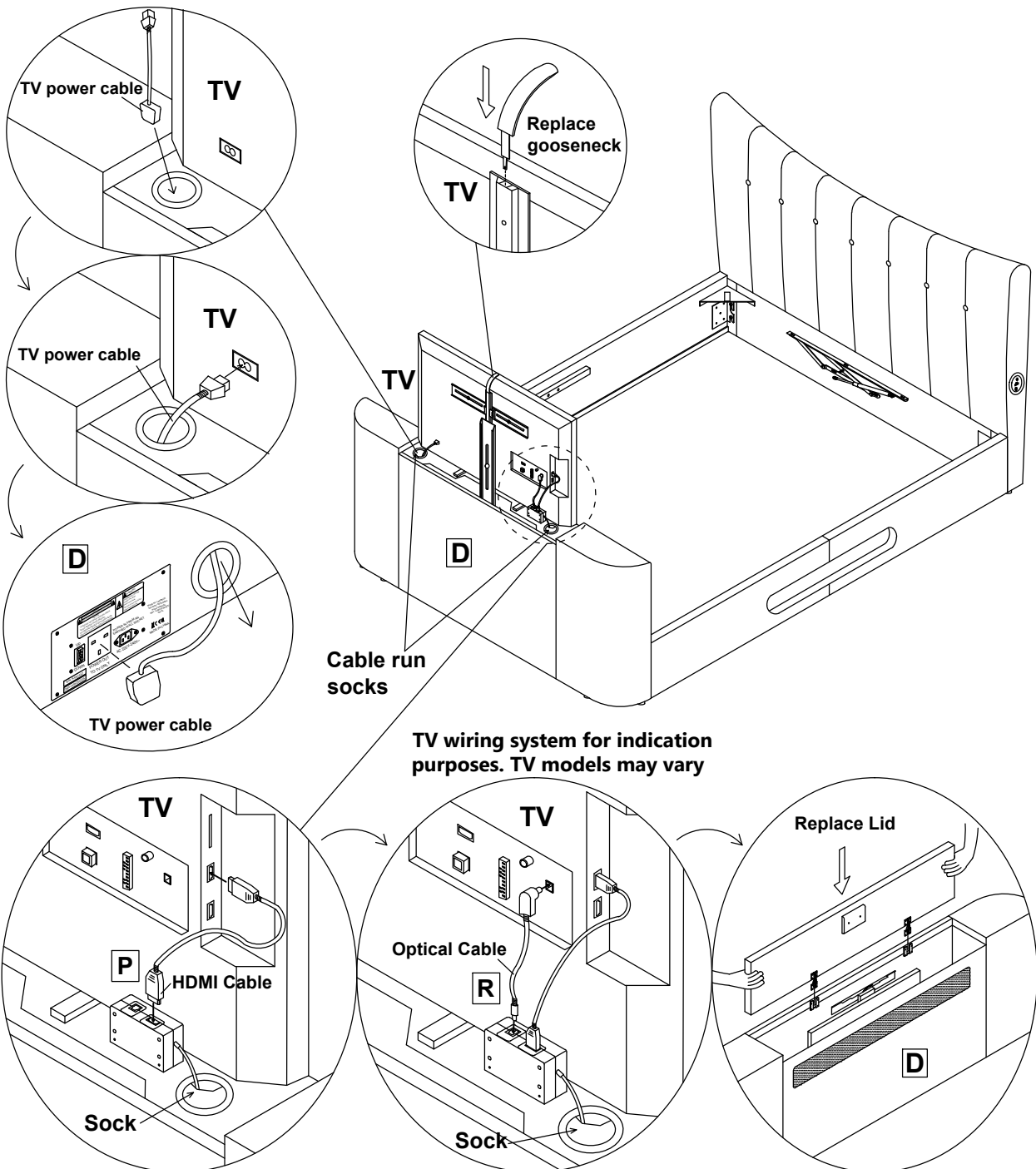
- The following cables have been supplied: **P** HDMI Cable, **Q** Power Cable, **R** Optical Cable.
- Connect the optical and HDMI cables as shown.

Note: The drawing is for illustration purposes only. Cables and port locations may vary according to the actual TV set.

The bed manufacturer will not accept any responsibility for faults or damages caused by incorrect installation.

- Plug the TV power cable (supplied with TV) into the socket on the main electrical panel located at the bottom of the footboard .
- Cable runs can be kept tidy by feeding cables through the socks and / or using the velcro straps.
- Replace gooseneck.
- Replace TV compartment lid by engaging the hinges into the hinge brackets and gently pushing down (No screws are needed).

IMPORTANT: Before using the TV lift, ensure all cables are long enough to allow free movement through the full height range!



Step 18

PLAYING SOUND THROUGH THE TV - (OPTICAL MODE)

- Ensure the optical cable **R** is correctly connected between the television and bed.
- Ensure the Television is powered on and playing a picture with sound.
- Use the remote control to adjust the volume / base according to your sound preferences.

TROUBLE SHOOTING

- In the event all the 'above' steps have been followed and there is no optical sound coming from the speaker system - please check the following:
- Check the Television Optical Setting Instruction from the television user manual and ensure its instructions are carefully followed.
- If all power and cable connections are correct (as per the bed system user manual) - please call the product support line (please ensure you have your purchase information to hand and you are in close proximity to the product before calling.)

Step 19

PLAYING SOUND THROUGH BLUETOOTH CONNECTION - (BLUETOOTH 'BT' MODE)

- On your mobile device (phone, tablet) - look for 'BT speaker' under available bluetooth devices. Select 'BT speaker'.
- The BT connection should automatically take place with a connected audio bleep notification - no connection code is required!
- Use the remote control to adjust the volume / base according to your sound preferences.

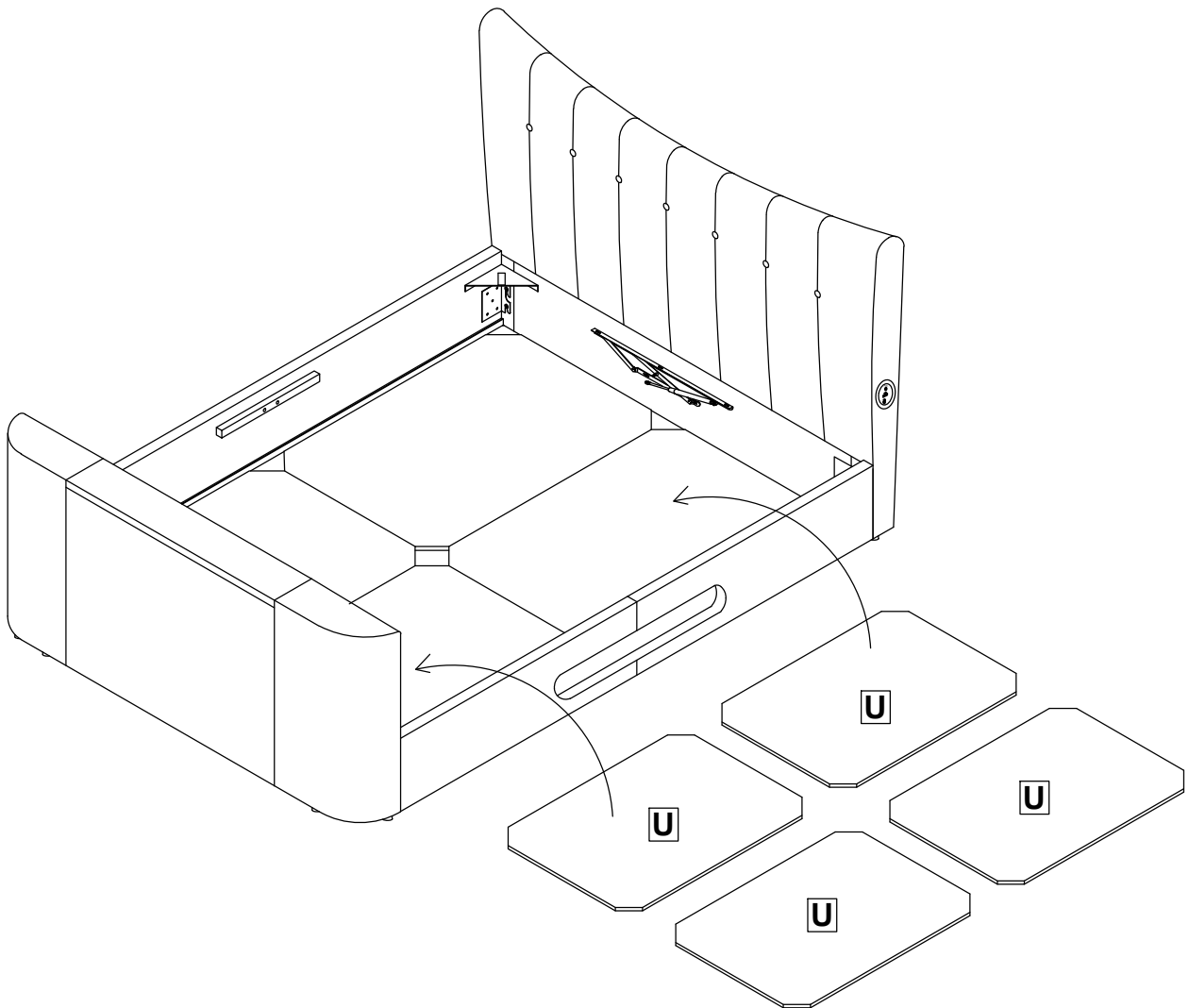
Please Note: In order to connect an alternative device, you will need to disconnect the previously connected device first!!

TROUBLE SHOOTING

- In the event all the 'above' steps have been followed and there is no bluetooth sound coming from the speaker system - please check the following:
- Power OFF - then ON, both the speaker system and mobile device. Repeat above bluetooth connection process.
- If all power and cable connections are correct, as per the bed system user manual -please call the product support line (please ensure you have your purchase information to hand and you are in close proximity to the product before calling!!).

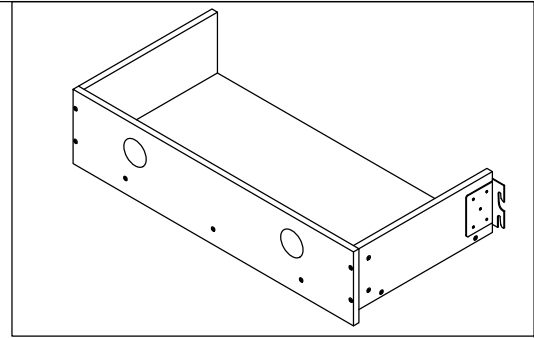
Step 20

- Place base panels **U** into position.

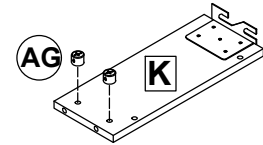
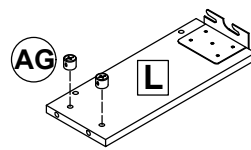
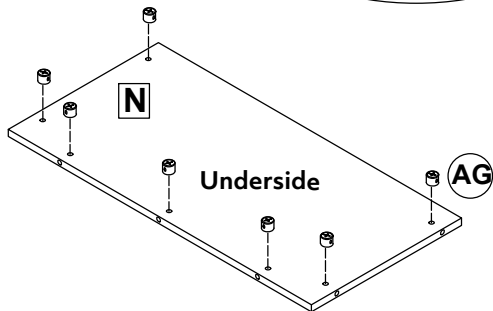
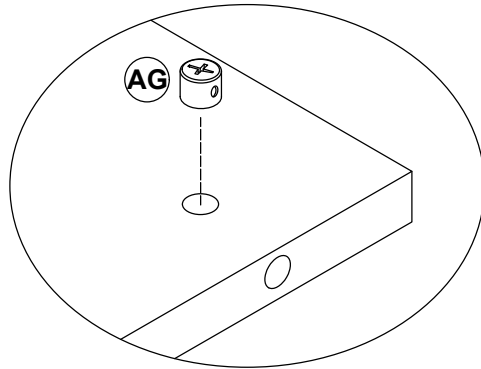


Step 21

- Assemble DVD / Media Compartment compartment.



a:

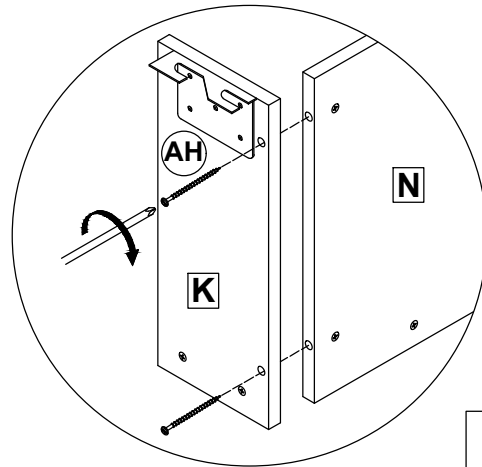
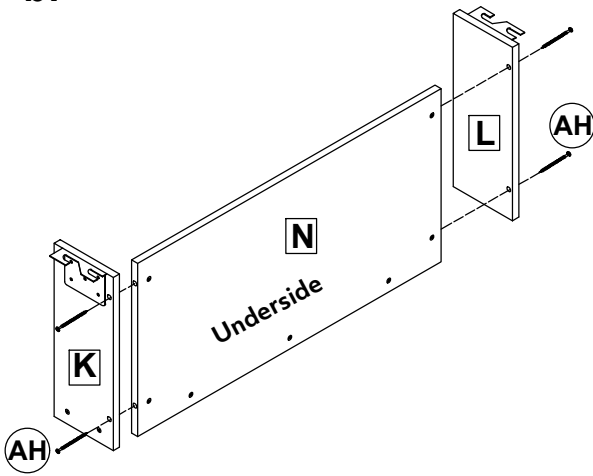


IMPORTANT:
Make sure when fitting the nuts that the hole is in correct alignment with the hole in the panel edge.

AG x 11



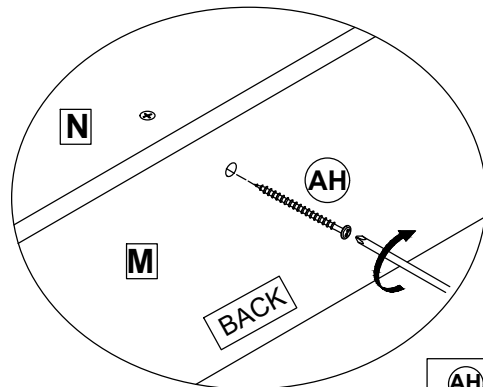
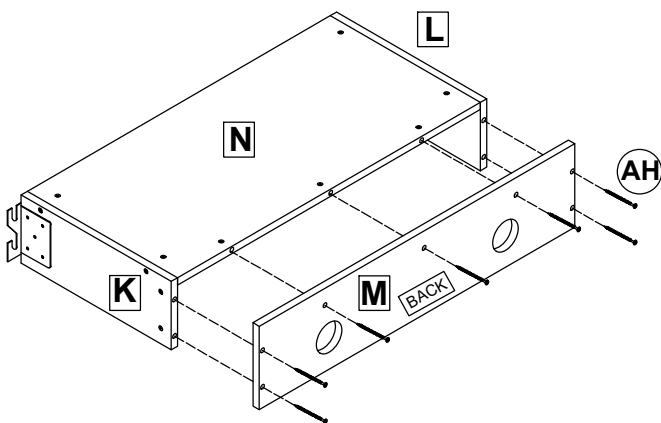
b:



AH x 4



c:

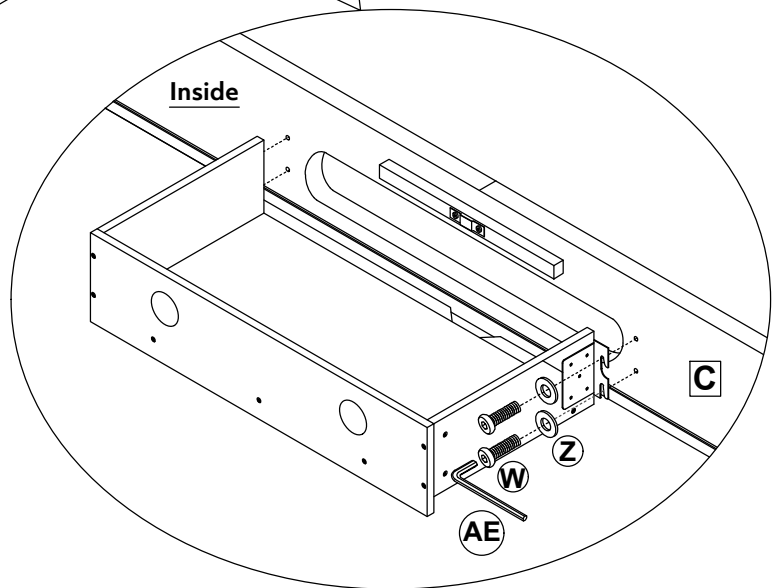
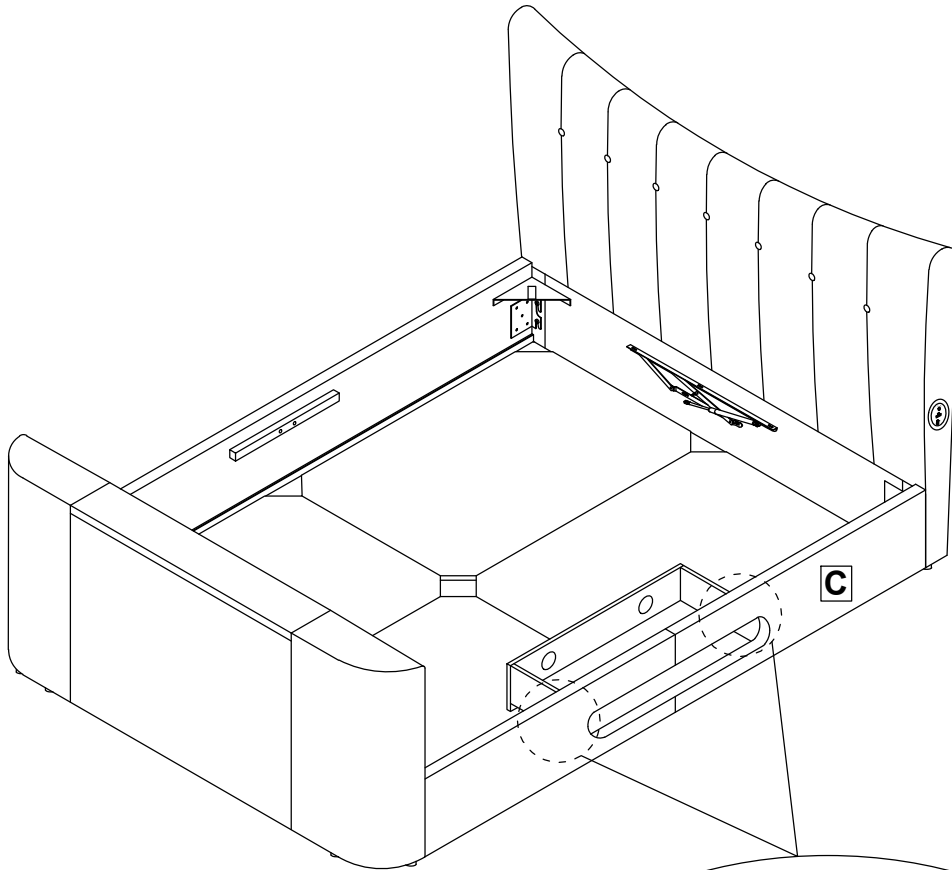


AH x 7

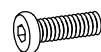


Step 22

- Carefully assemble DVD / Media Compartment to the inside of side rail **C**.



W x 4



Z x 4

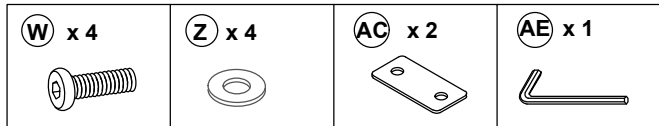
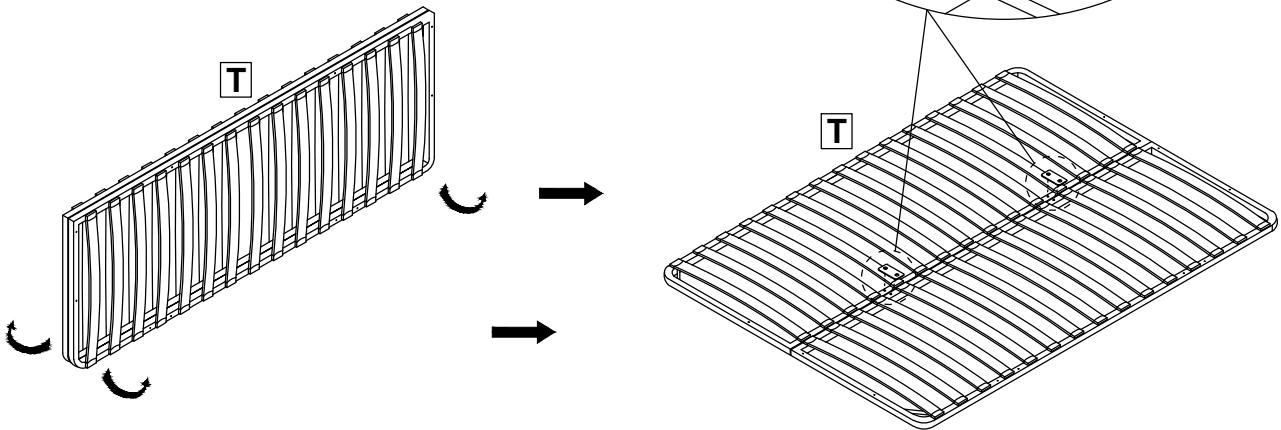


AE x 1



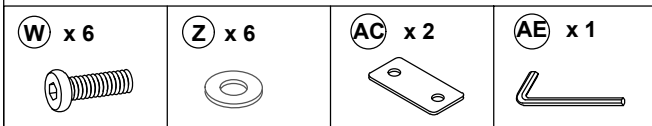
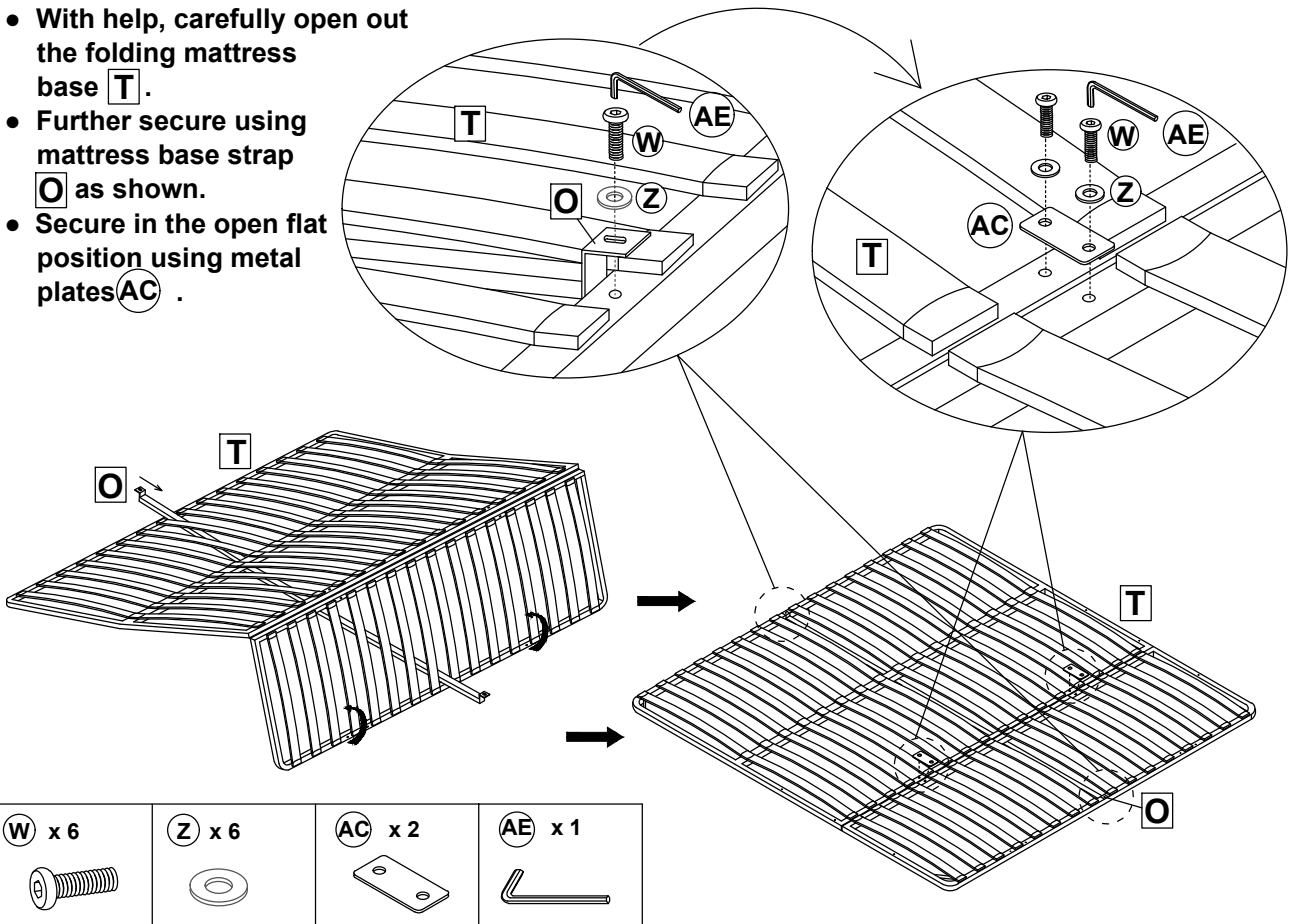
Step 23 Double / King

- With help, carefully open out the folding mattress base **T**.
- Secure in the open flat position using metal plates **AC**.



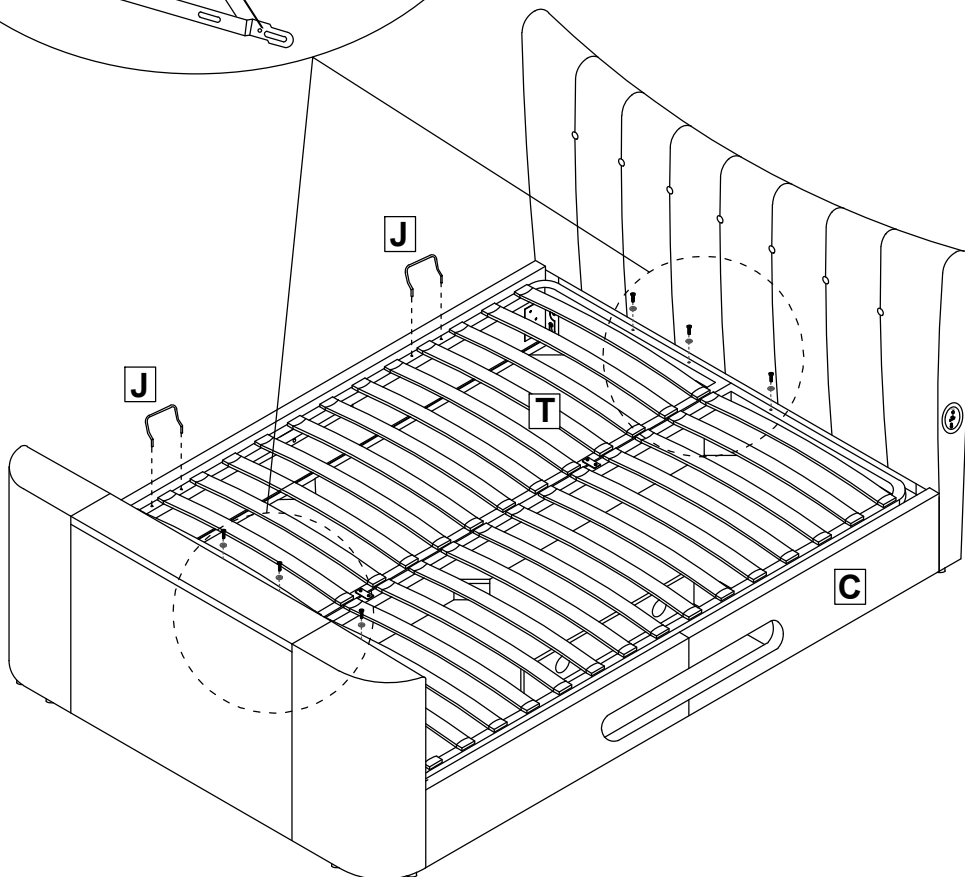
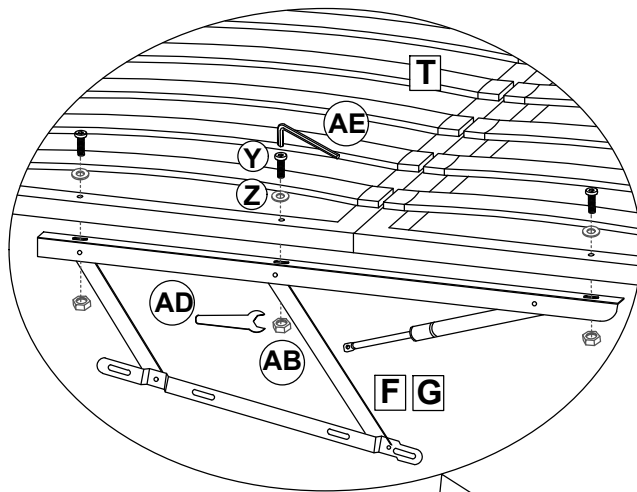
Super King

- With help, carefully open out the folding mattress base **T**.
- Further secure using mattress base strap **O** as shown.
- Secure in the open flat position using metal plates **AC**.



Step 24

- With help, carefully lift mattress base **T** into position and secure using fixings as shown using three bolt sets on each side, **Y**, **Z** & **AB**.
- Be careful to ensure the holes for mattress retainers **J** are located on the lower side.
- Locate retainers **J** into position.



Y x 6



Z x 6



AB x 6



AD x 1

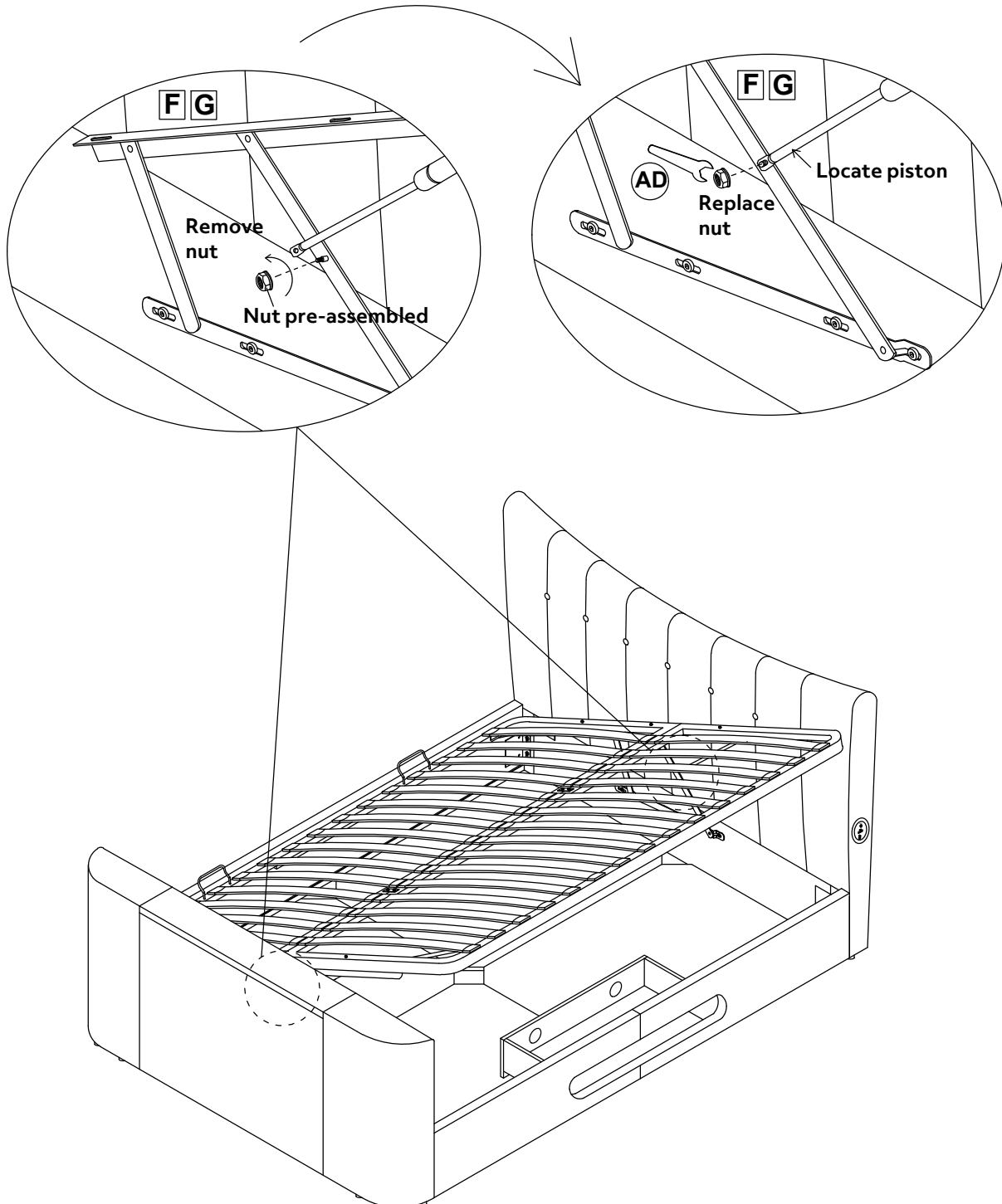


AE x 1



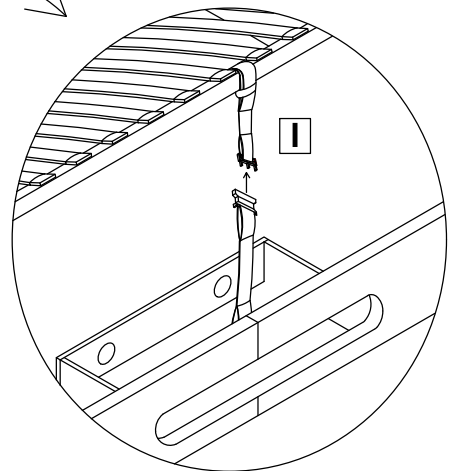
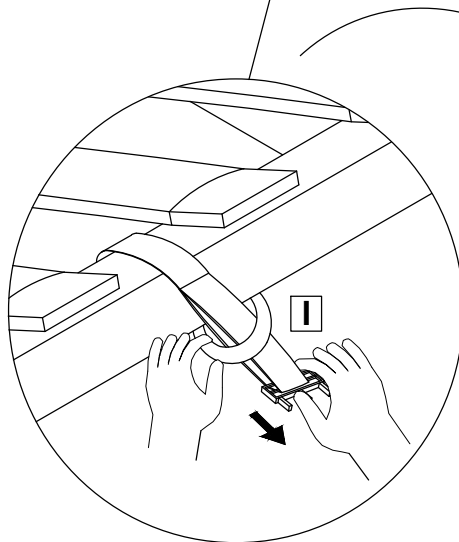
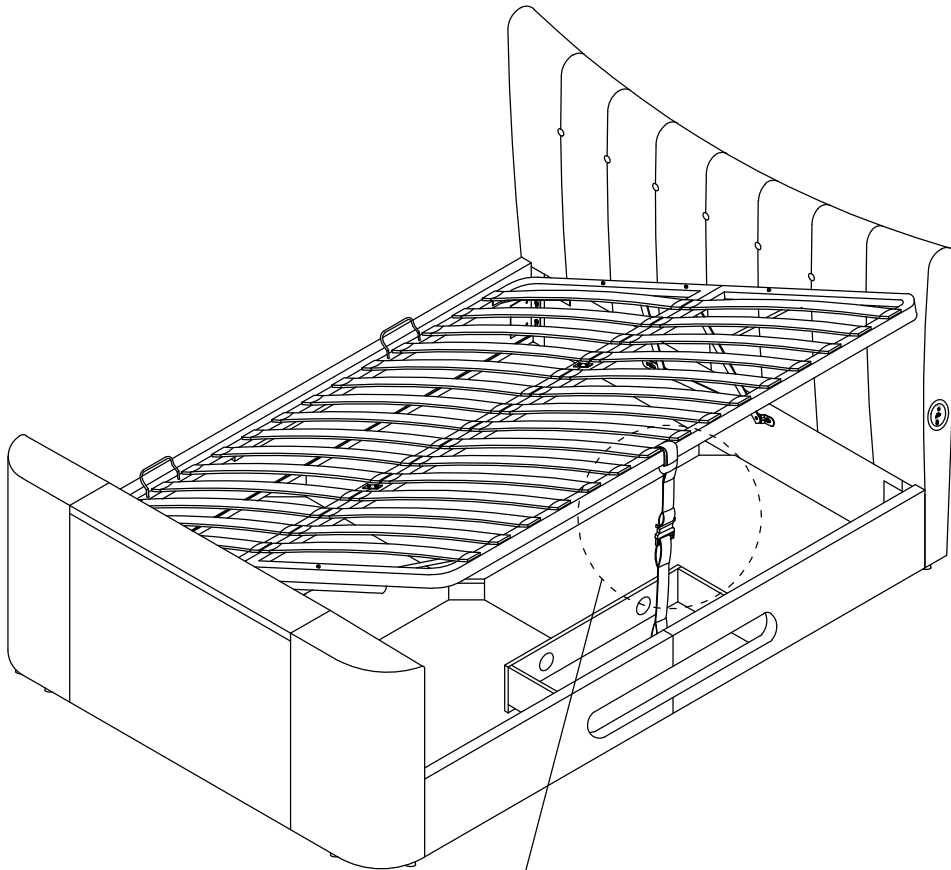
Step 25

- With help, carefully open up lift up mechanisms **F** and **G**.
IMPORTANT: Beware of finger entrapment from moving parts.
- Remove the pre-assembled nut, locate the end of the of the piston, then replace nut.



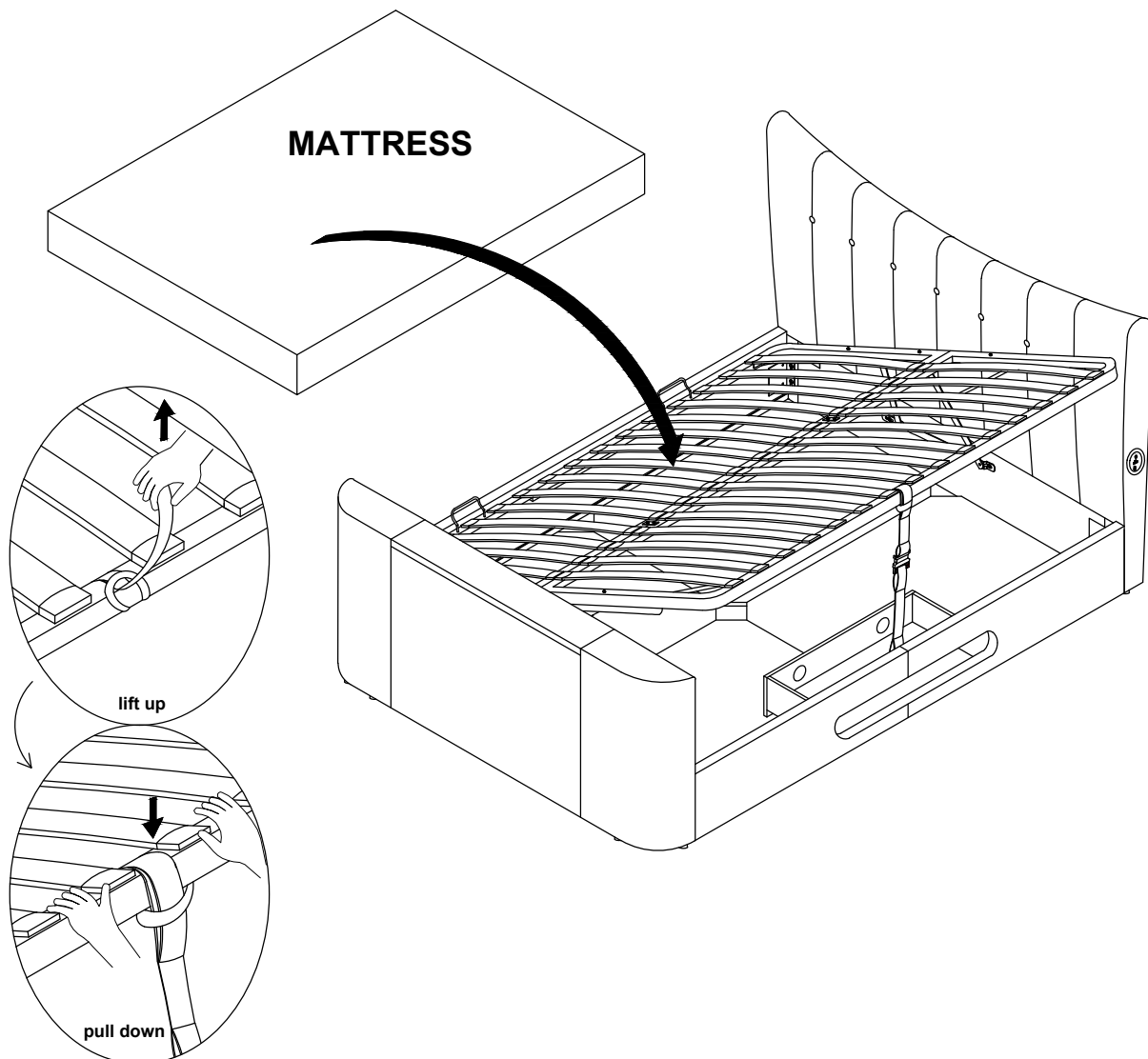
Step 26

- **IMPORTANT:** Use retaining strap **I** to help retain the ottoman base in its lowered position.



Step 27

- **IMPORTANT:** Place the mattress onto the base before attempting to lower or lift it.



A. This Lift Mechanism provides assistance in lifting the mattress. It does not lift the mattress for you. The system has been designed to effectively lift the base system with a variety of mattress weights and combinations of depth. The combination of mattress weight and depth determines the degree of assistance provided by the mechanism.

B. Following Installation of the mechanism, operate the base up and down a few times to free off the system. The cylinders fitted to the system may be stiff when first used or If the system has not been operated for a period of time. Always ensure the mattress is located on the base before operating.

C. Use the strap handle to lift up the mattress base using two hands - Pull the mattress base down using two hands equally spaced from the centre of the mattress base. **DO NOT** pull down on one side of the base only as this is likely to damage the base system with potential failure of the mattress base system and lift mechanism. **Do not operate the lift up mechanism without the mattress fitted to the base.**

CAUTION : Do not allow children to operate the lift Mechanism.
Do not allow children near the lift base when operating the Mechanism.
Do not allow children in the area of the internal storage base.
Keep hands clear of the mechanism when operating the base system.
Do not stand inside the bed on the internal storage base.
Do not overload the internal storage base.

Step 28

- Make sure the 4 corners of the bed frame are at 90 degrees before closing the mattress base. If necessary, loosen the corner brackets (see step 3) to adjust and re-align. fully retighten all fixings after any adjustment.

