



Minimum Two
Persons Assembly



HARVARD BED

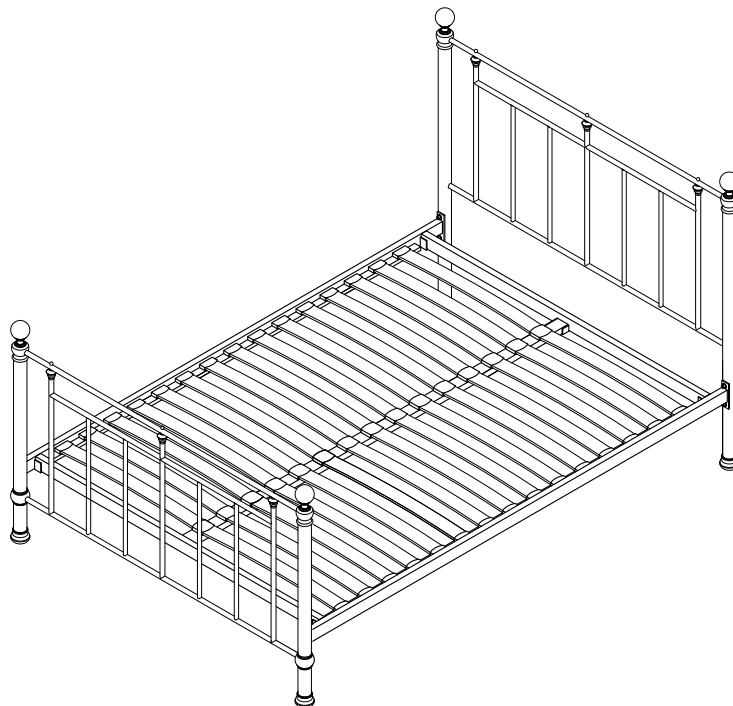
STK450504/STK450505/STK450506

Assembly instructions

Please keep these instructions for future reference.



Approximate
Assembly Time



Regrettably self-assembly items cannot be returned once assembly is part or fully completed unless the items are found to be faulty. Should you need to return the unassembled product, please repack in its original packaging.

Important information

- We suggest you spend a short time reading through this leaflet and then follow the simple step-by-step instructions.
- Carefully check that you have all the parts before beginning assembly.
- Keep fittings out of children's reach and keep children well away from construction area.
- We suggest you retain these instructions for future reference.

Product information

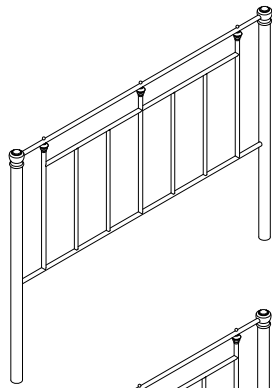
- Made using precision formed iron tube , the bed is finished in metal white.
- Posture slats are made of bent plywood.
- This bed conforms to BS EN 1725.
- In the unusual event of an issue with your product would you please quote the batch I.D. number situated on the main parts of the frame (Head End- Foot End- Side Rails).

Care instructions

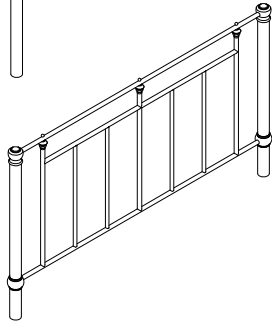
- Avoid exposing the furniture to excessive heat or direct sunlight as this can cause cracking and deterioration of the color.
- Periodically check & re-tighten any fastener .
- Periodically dust lightly with a clean soft cloth.
- Do not use silicone based furniture polish.
- Any spills should be removed immediately with a damp cloth.
- TAKE CARE WHEN MOVING THE FURNITURE AND NEVER DRAG THE PIECES ACROSS THE FLOOR,AS THIS WILL CAUSE DAMAGE TO THE JOINTS.

Component of Carton A

(1) Head Board x 1

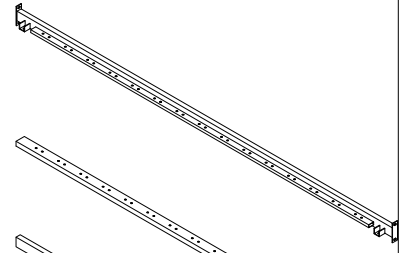


(2) Foot Board x 1

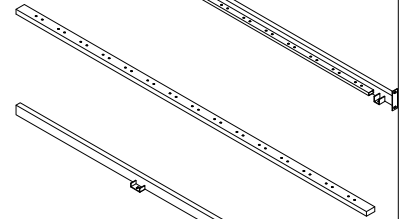


Component of Carton B

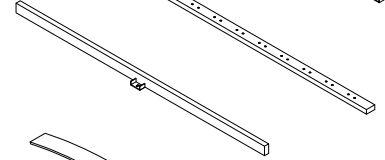
(3) Side rail x 2



(4) Center rail x 1

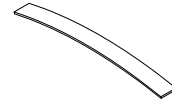


(5) Cross bar x 2



(6) Posture slat

- Double - size x 28 pcs
- King - size x 30 pcs
- Super king - size x 30 pcs



(7) Slats connector

- Double - size x 14 pcs
- King - size x 15 pcs
- Super king - size x 15 pcs



(8) Slat connection

- Double - size x 28 pcs
- King - size x 30 pcs
- Super king - size x 30 pcs



Hardware

(A) Finial
x 4



(B) Foot spinning
x 4



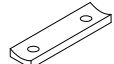
(C) Plastic
x 4



(D) M8 Screw
x 8



(E) Rubber Washer
x 4



(F) M8 Metal washer
x 8



(G) 6 mm Allen key
x 1



(H) 4 mm Allen key
x 1



(I) M6 Screw
x 6

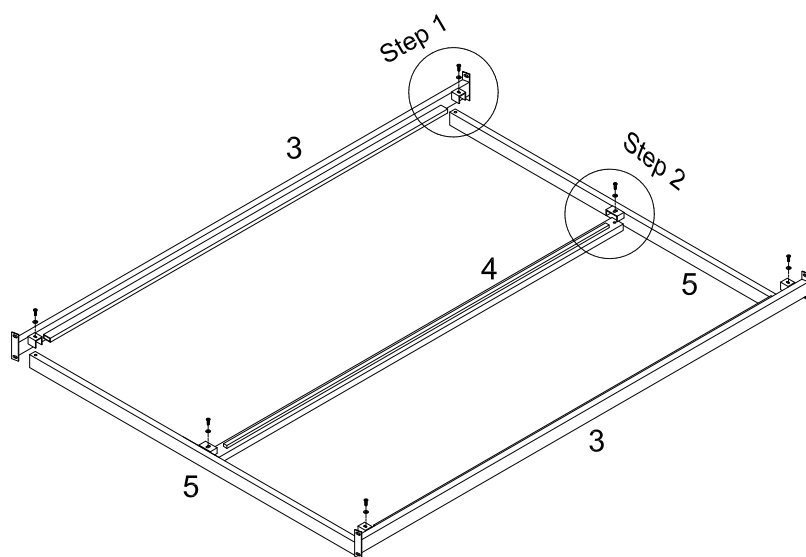
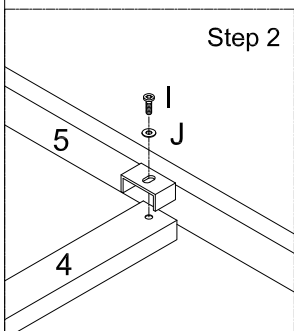
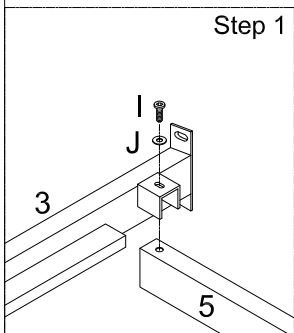


(J) M6 Metal washer
x 6



Step One & Two

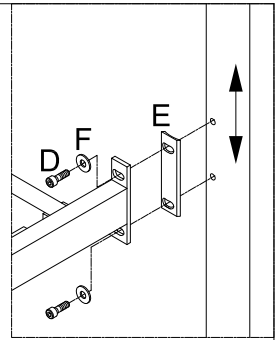
- Attachment of cross bars onto side rails underneath.
- Assembly of centre rail onto cross bars



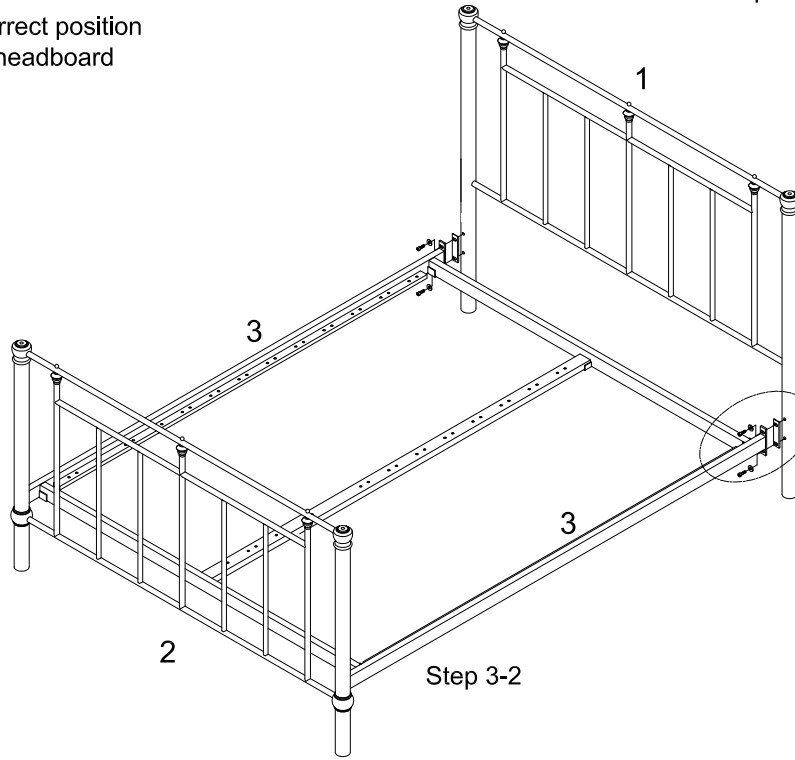
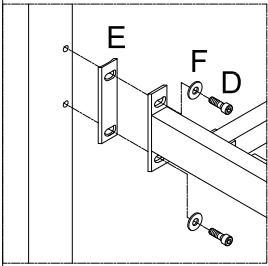
Step Three

- First flip the base over into correct position
- Attachment of side rails onto headboard & foot board

Step 3-1



Step 3-2

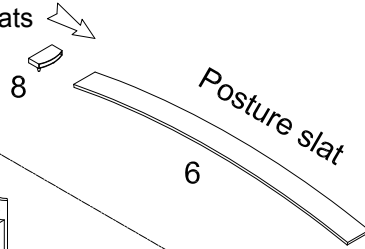


Step 3-1

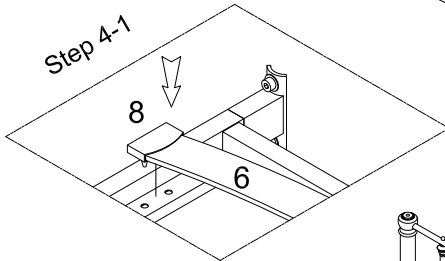
Step 3-2

Step Four

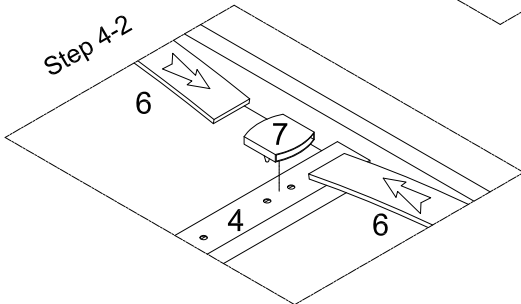
- Assembly of the slat connector to posture slats
- Assembly of posture slats onto side rails



Step 4-1

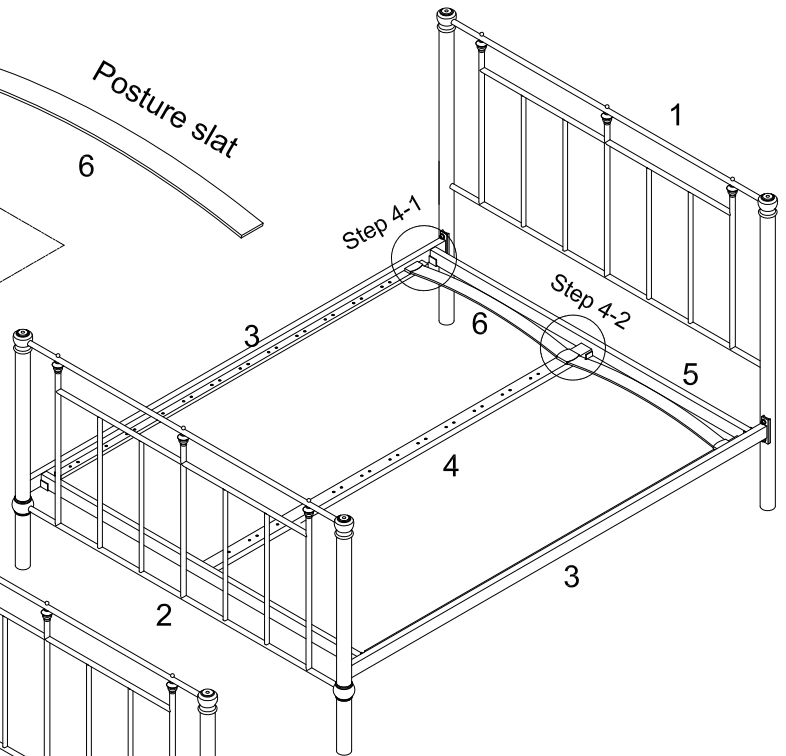


Step 4-2

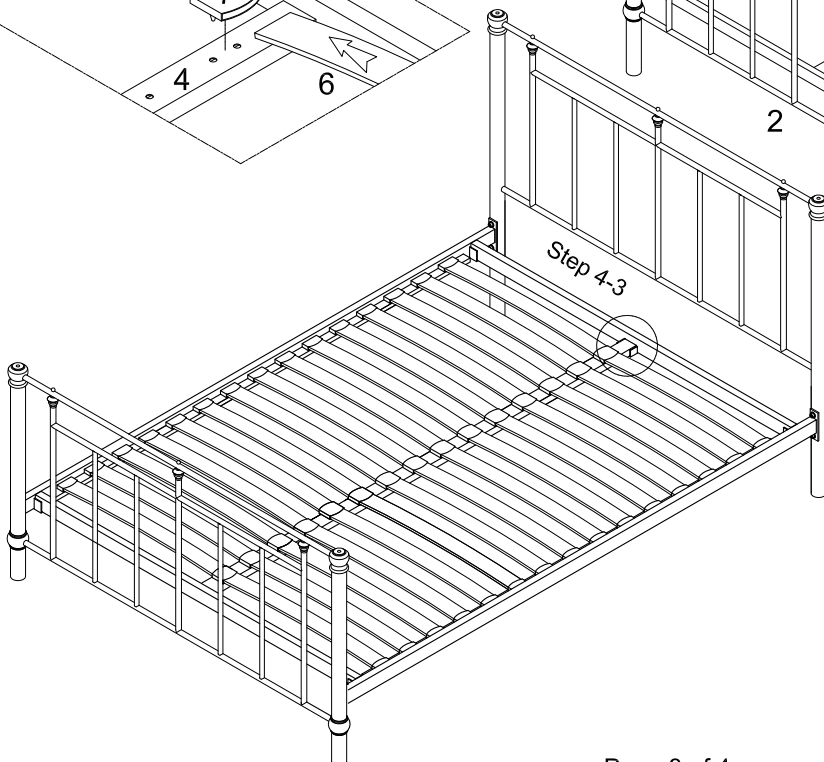


Step 4-1

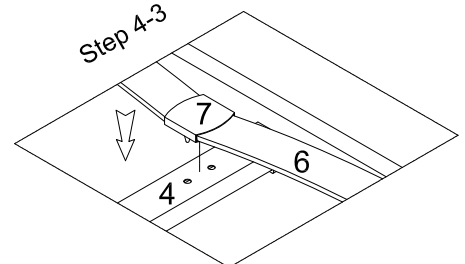
Step 4-2



Step 4-3

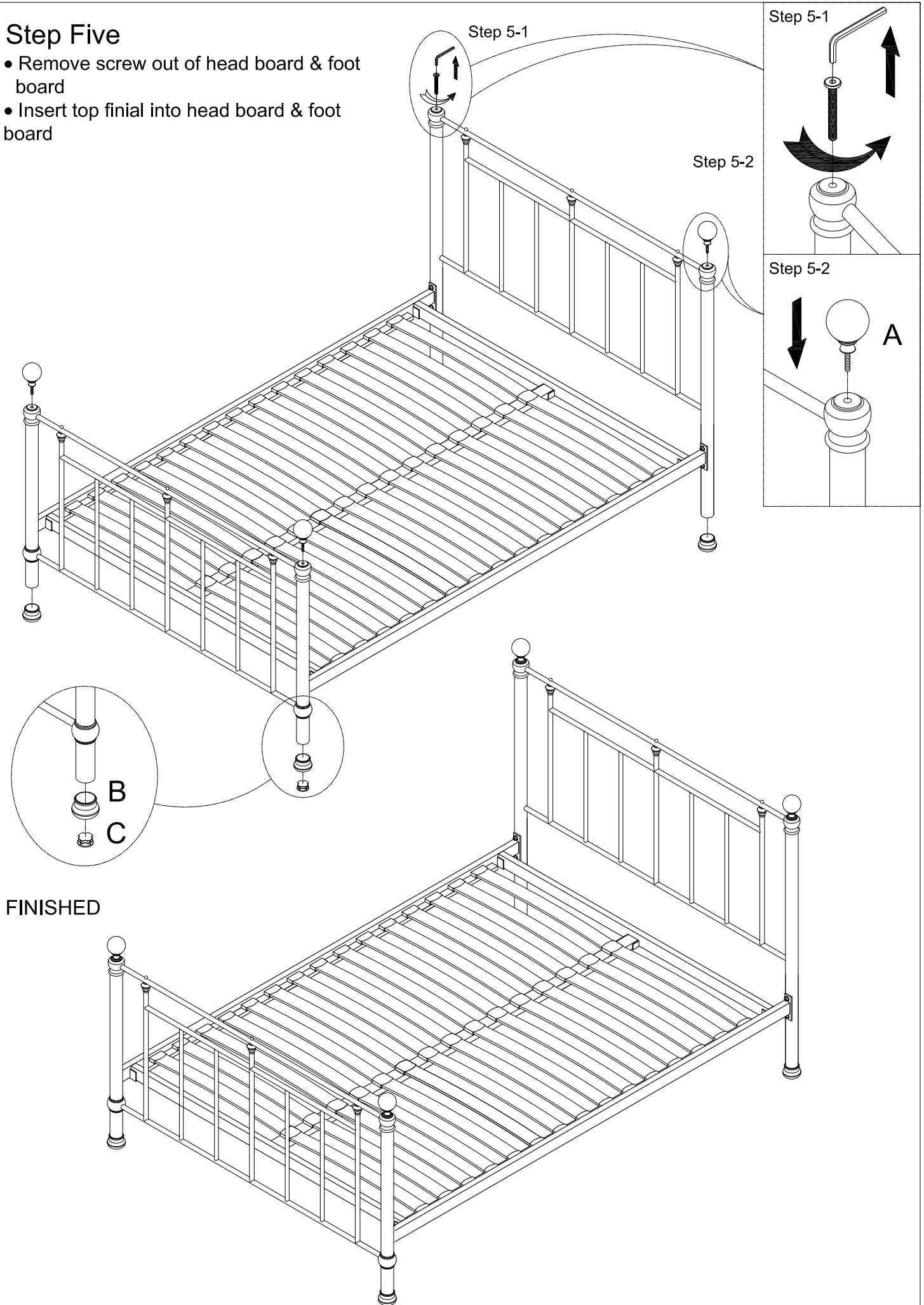


Step 4-3



Step Five

- Remove screw out of head board & foot board
- Insert top finial into head board & foot board



FINISHED