

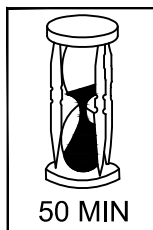
Minimum Two
Persons Assembly

bensons
for **beds**

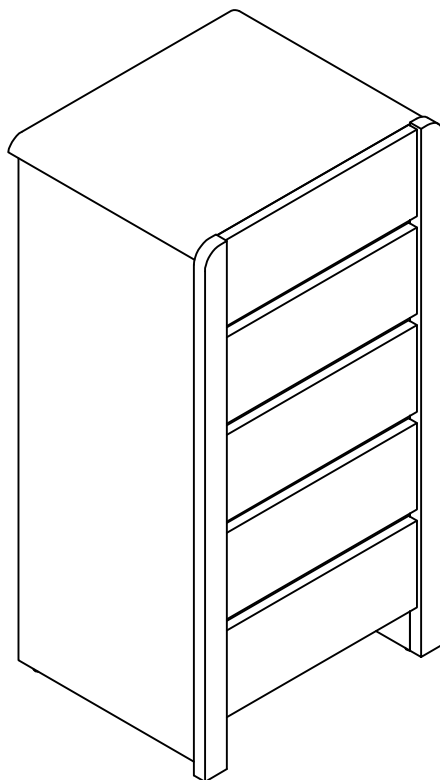
NEW 5 DRAWER HIP HOP TALLBOY ASH **HUBHIP017**

Assembly instructions

Please keep these instructions for future reference



Approximate
Assembly Time



Regrettably self-assembly items cannot be returned once assembly is part or fully completed unless the items are found to be faulty. Should you need to return the unassembled product, please repack in its original packaging.

Important information

- We suggest you spend a short time reading through this leaflet and then follow the simple step-by-step instructions.
- Carefully check that you have all the parts before beginning assembly.
- Keep fittings out of children's reach and keep children well away from construction area.
- We suggest you retain these instructions for future reference.
- In the unusual event of an issue with your product would you please quote the batch I.D. number situated on the main parts of the frame.

Product information

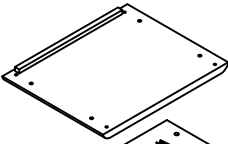
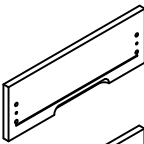
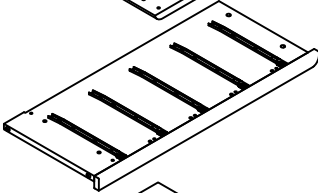
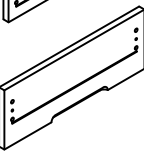
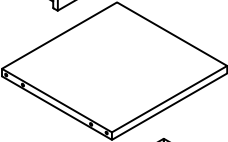
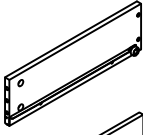
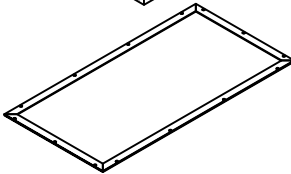
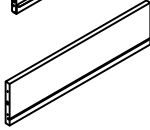
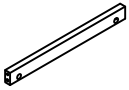
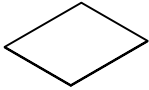
- Product finished in a natural ash colour using ash and ash veneers.
- 5-drawer tallboy.

Care instructions



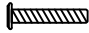

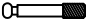

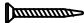

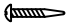

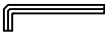
- Avoid exposing the furniture to excessive heat or direct sunlight as this can cause cracking and deterioration of the color.
- Periodically check & re-tighten any fastener.
- Periodically dust lightly with a clean soft cloth.
- Do not use silicone based furniture polish.
- Any spills should be removed immediately with a damp cloth.
- TAKE CARE WHEN MOVING THE FURNITURE AND NEVER DRAG THE PIECES ACROSS THE FLOOR, AS THIS WILL CAUSE DAMAGE TO THE JOINTS

5- drawer Tallboy

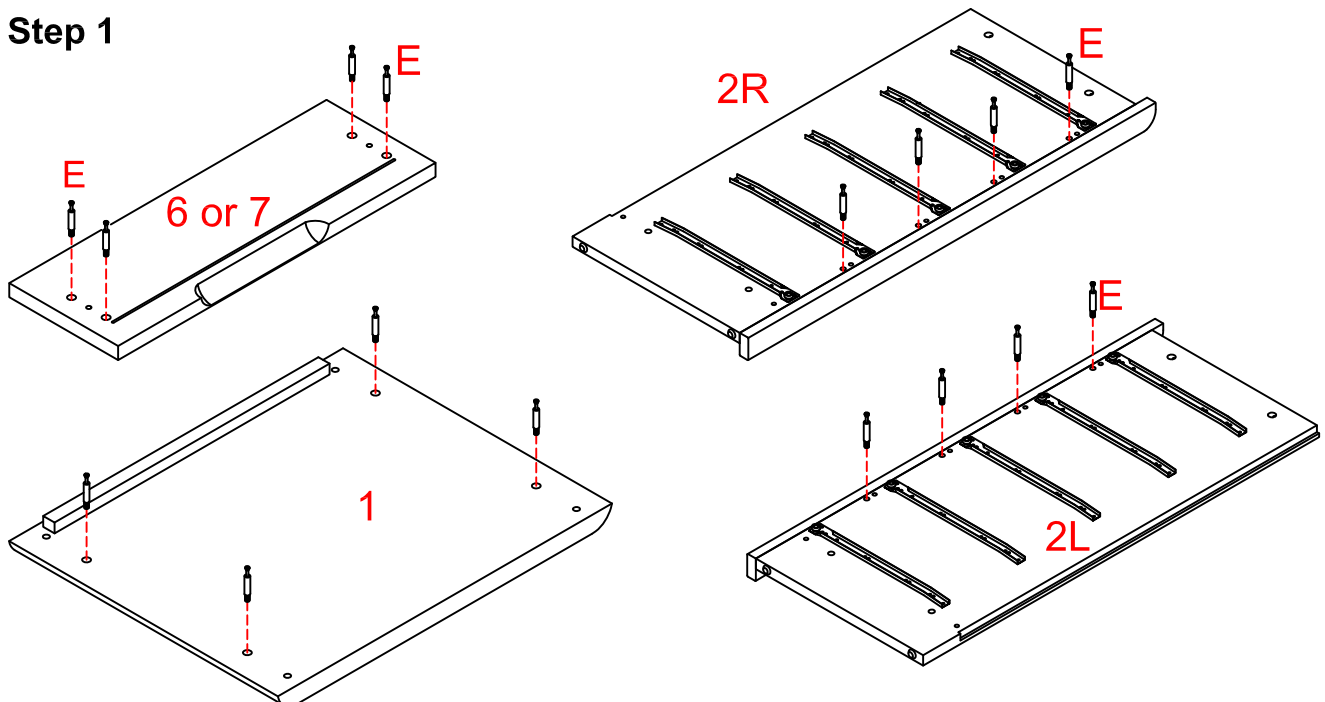
Component of Carton

(1) Top panel ×1		(6) Drawer front panel ×1	
(2) Side panel (R&L) ×2		(7) Drawer front panel ×4	
(3) Bottom panel×1		(8) Drawer Side panel (5R&5L) ×10	
(4) Back panel×1		(9) Drawer Back panel×5	
(5) Support rail×4		(10) Drawer bottom panel×5	

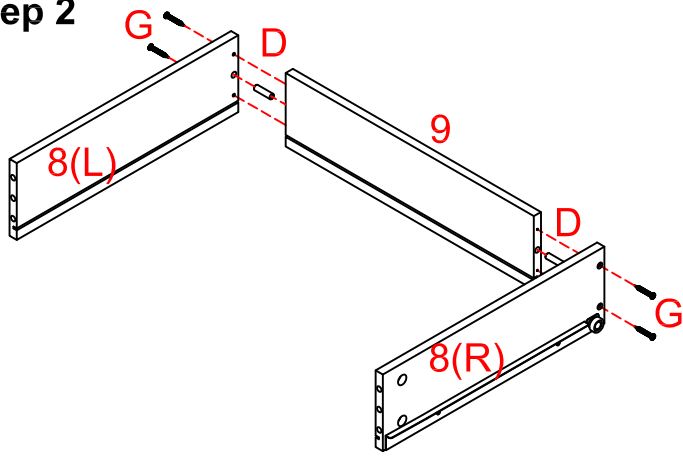
Hardware List

(A) Ø4 ×16 Screw ×14 	(B) Ø8 Dowel ×16 	(C) M6×45 Bolt ×4 	(D) Ø6 Dowel ×20 
(E) Locking Pin ×32 	(F) Locking Nut ×32 	(G) Ø4×30 Screw ×20 	(H) Ø6 Washer ×8 
(I) Ø3.5×16 Screw ×2 	(J) Nylon braid ×2 	(K) 4MM Wrench ×1 	

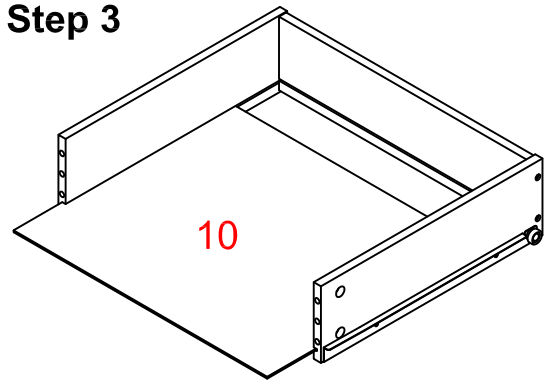
Step 1



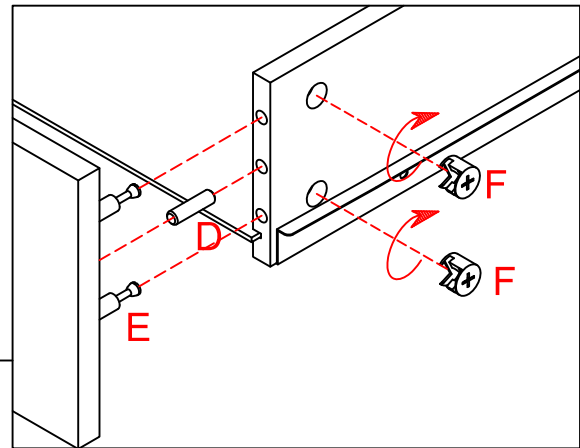
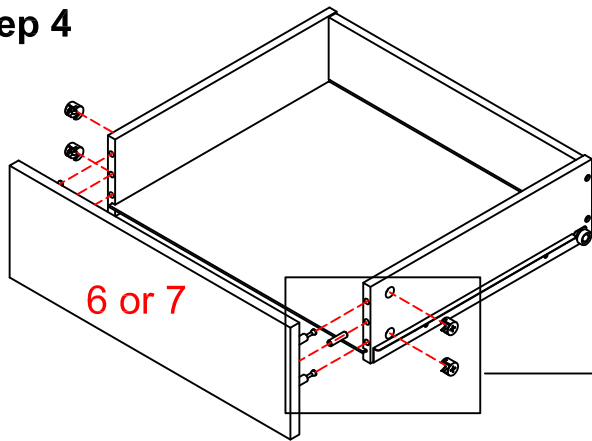
Step 2



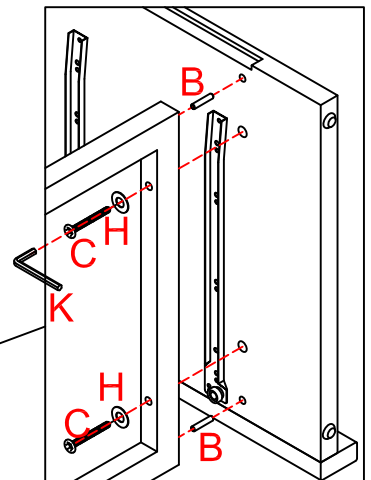
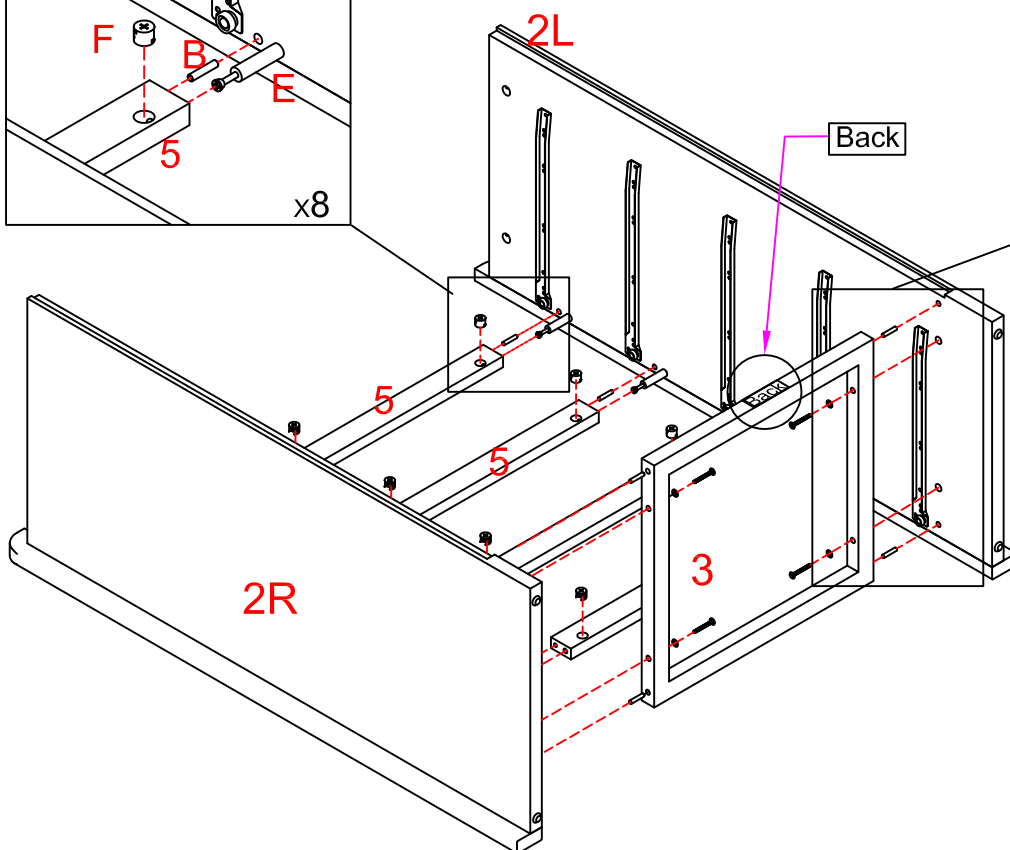
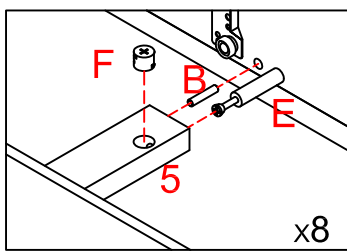
Step 3



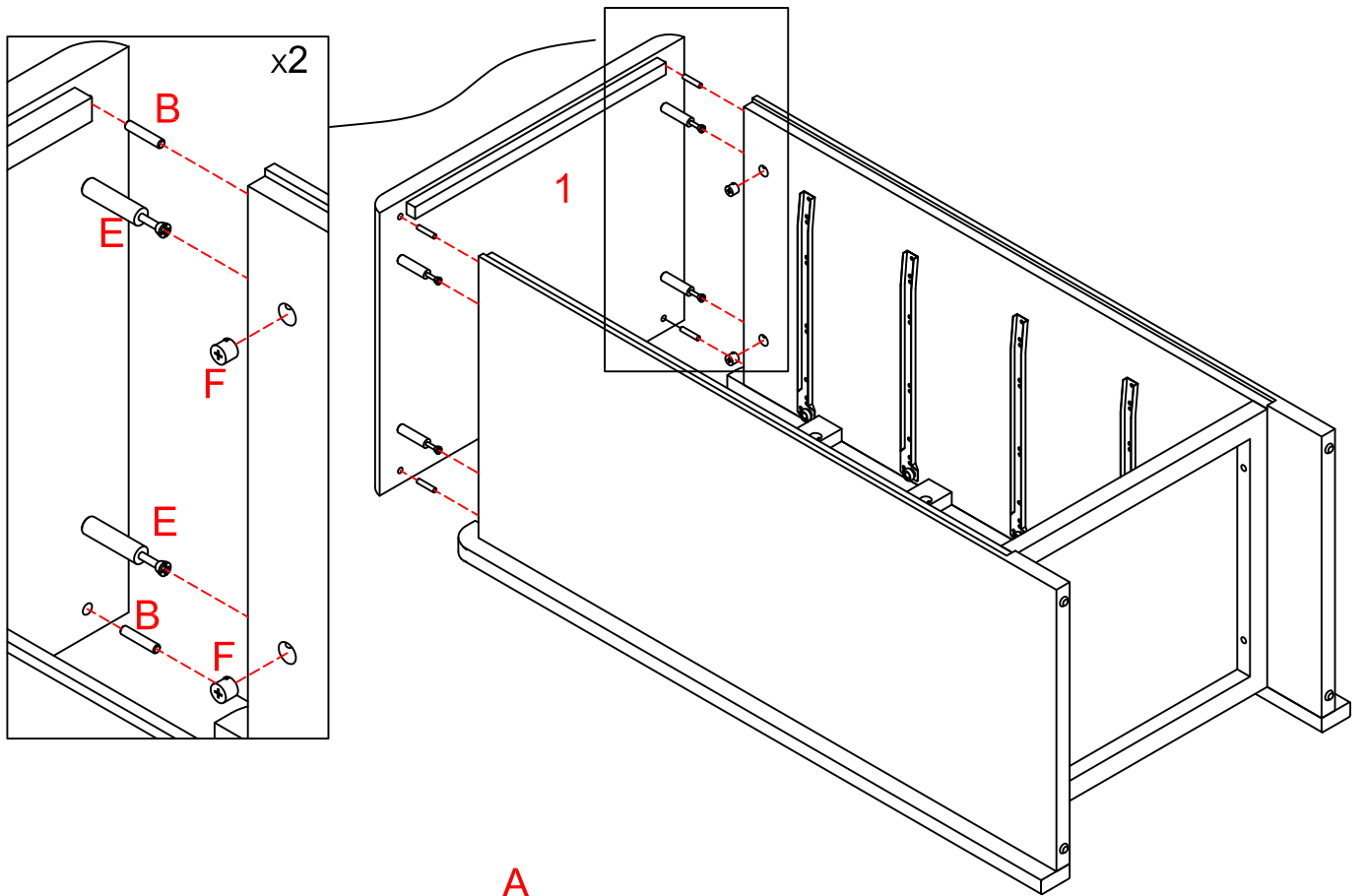
Step 4



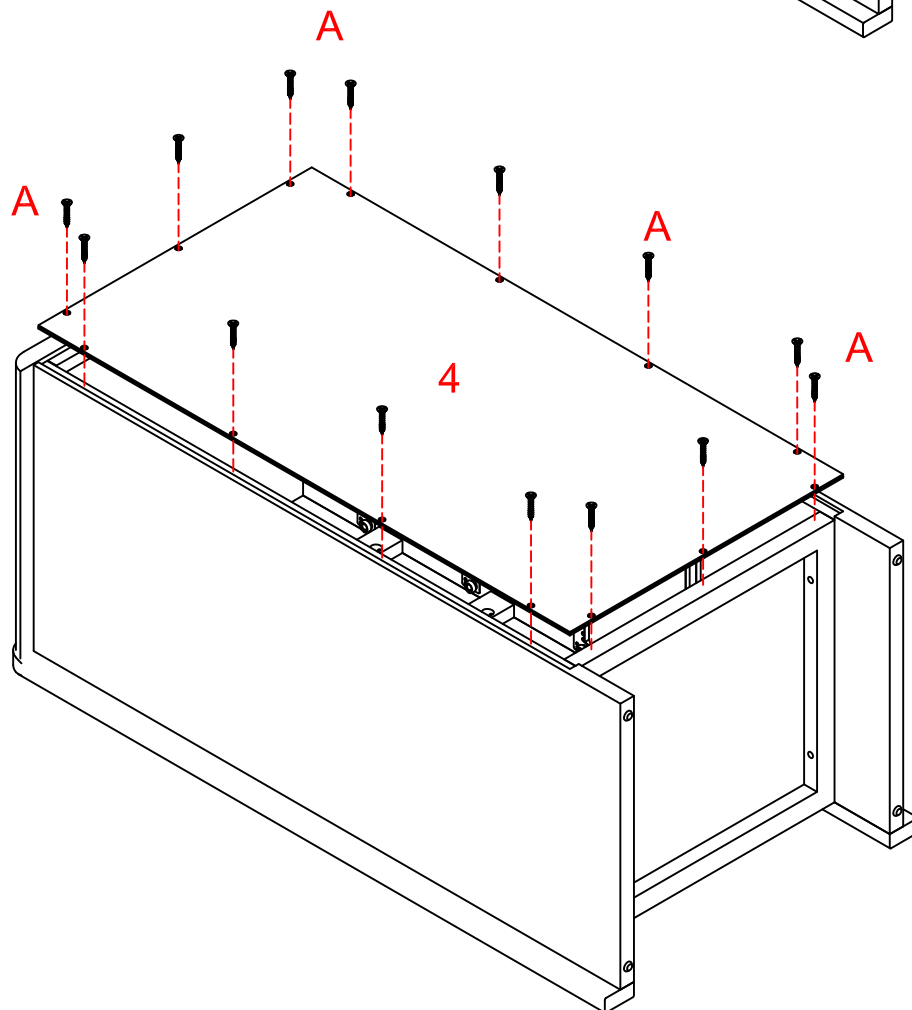
Step 5



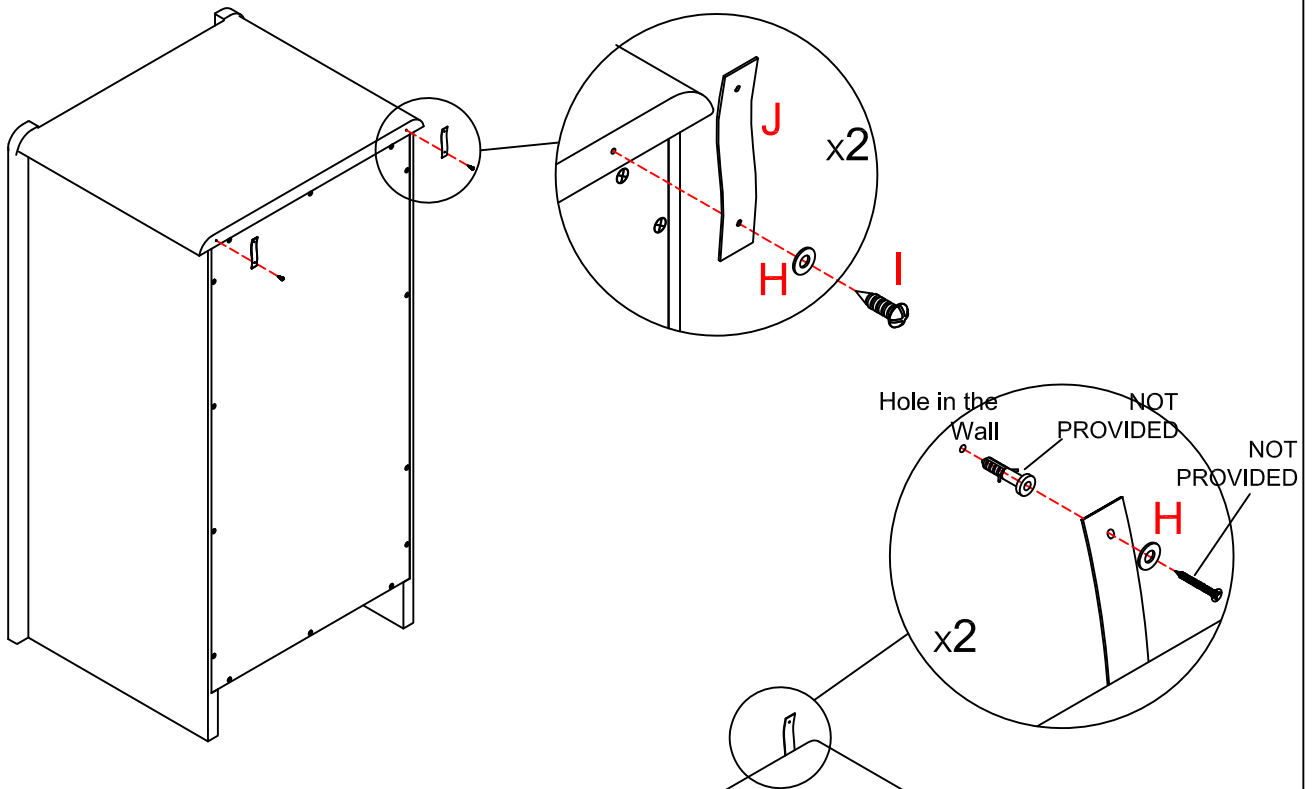
Step 6



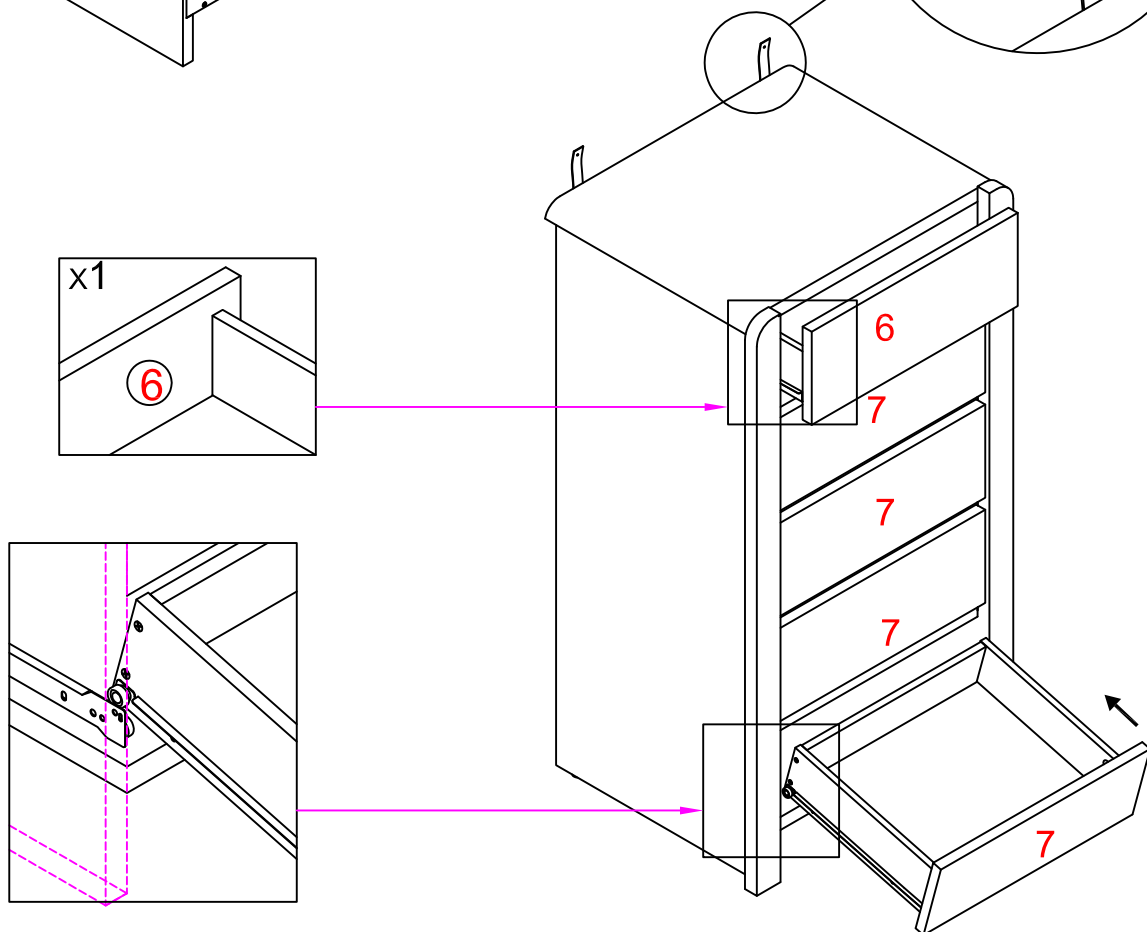
Step 7



Step 8



Step 9



WARNING:

To prevent your furniture from tilting forward and possibly causing property damage or personal injury it is recommended that you **Securely attach the safety strap provided to your wall using appropriate fixings**

IMPORTANT:

- **DO NOT** place toys or other child appealing items on top of this furniture
- **AVOID** fully opening all drawers at the same time
- **DO NOT ALLOW** Small children to climb onto Drawers, shelves or to swing from open doors

CAUTION:

For your safety when attaching the anti-tilt fixings;

- Check for any electrical wires or plumbing inside the wall before drilling any holes (if you are unsure please seek professional advice from a qualified tradesman)
- Walls are constructed from different materials eg: Masonry (solid brick) or plaster board lined cavity walls (hollow).

It is important that you use the appropriate wall fixings for your wall type.

(Your local hardware store will have the necessary drills and fixings and can offer advice if needed)