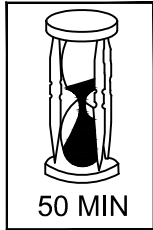


Minimum Two  
Persons Assembly

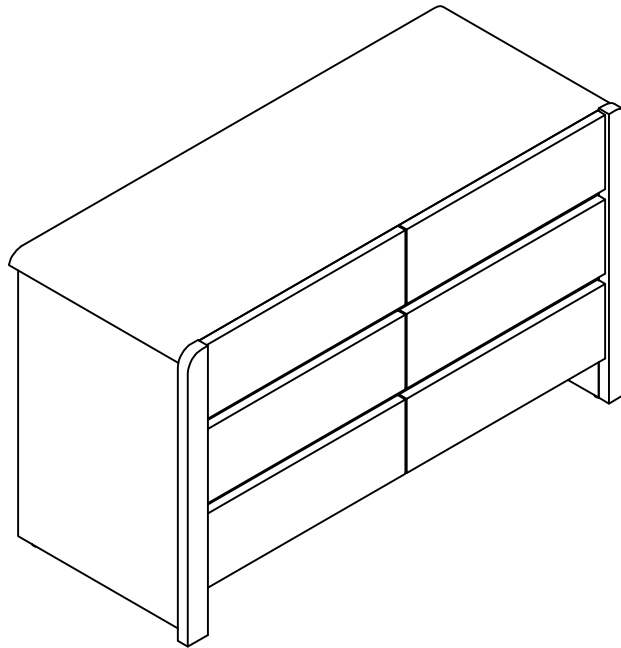


## NEW 6 DRAWER HIP HOP CHEST ASH HUBHIP016



Approximate  
Assembly Time

Assembly instructions  
Please keep these instructions for future reference



Regrettably self-assembly items cannot be returned once assembly is part or fully completed unless the items are found to be faulty. Should you need to return the unassembled product, please repack in its original packaging.

### **Important information**

- We suggest you spend a short time reading through this leaflet and then follow the simple step-by-step instructions.
- Carefully check that you have all the parts before beginning assembly.
- Keep fittings out of children's reach and keep children well away from construction area.
- We suggest you retain these instructions for future reference.
- In the unusual event of an issue with your product would you please quote the batch I.D. number situated on the main parts of the frame.

### **Product information**

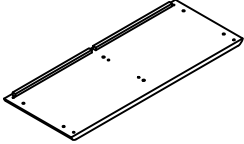
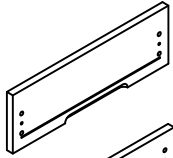
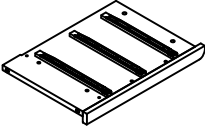
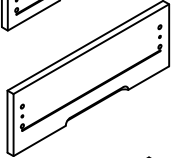
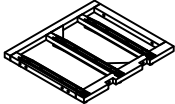
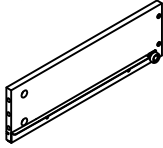
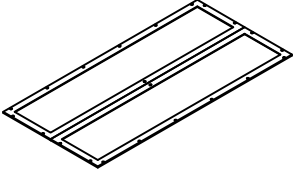
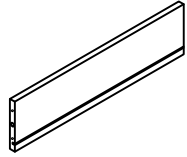
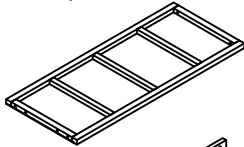
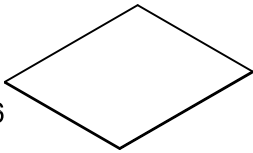
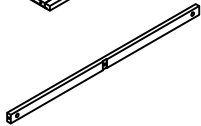
- Product finished in a natural ash colour using ash and ash veneers.
- 6-drawer dresser.

### **Care instructions**




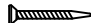



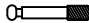
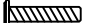



- Avoid exposing the furniture to excessive heat or direct sunlight as this can cause cracking and deterioration of the color.
- Periodically check & re-tighten any fastener.
- Periodically dust lightly with a clean soft cloth.
- Do not use silicone based furniture polish.
- Any spills should be removed immediately with a damp cloth.
- TAKE CARE WHEN MOVING THE FURNITURE AND NEVER DRAG THE PIECES ACROSS THE FLOOR, AS THIS WILL CAUSE DAMAGE TO THE JOINTS

# 6-drawer Dresser

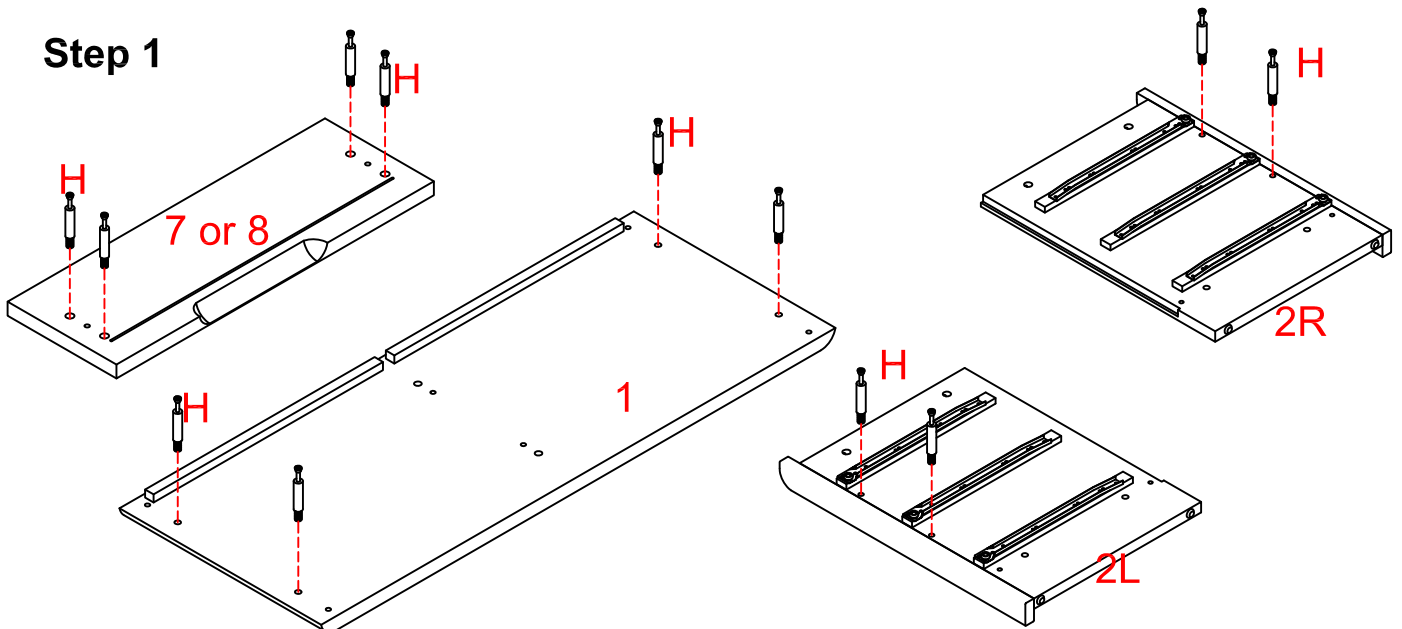
## Component of Carton

(1) Top panel ×1		(7) Drawer front panel ×2	
(2) Side panel (R&L) ×2		(8) Drawer front panel ×4	
(3) Support frame ×1		(9) Drawer Side panel ×12	
(4) Back panel ×1		(10) Drawer back panel ×6	
(5) Bottom panel ×1		(11) Drawer bottom panel ×6	
(6) Support Rail ×2			

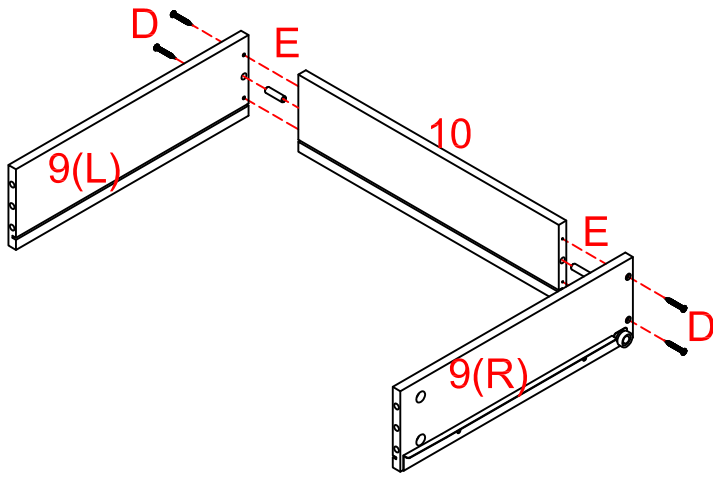
## Hardware List

(A) Ø4×16 Screw ×22 	(B) Ø8 Dowel ×12 	(C) M6×45 Bolt ×8 	(D) Ø4×30 Screw ×24 
(E) Ø6 Dowel ×24 	(F) Ø6 Washer ×12 	(G) Locking Nut ×32 	(H) Locking Pin ×32 
(I) M6×35 Bolt ×2 	(J) Ø3.5×16 Screw ×2 	(K) Nylon braid ×2 	(L) 4MM Wrench ×1 

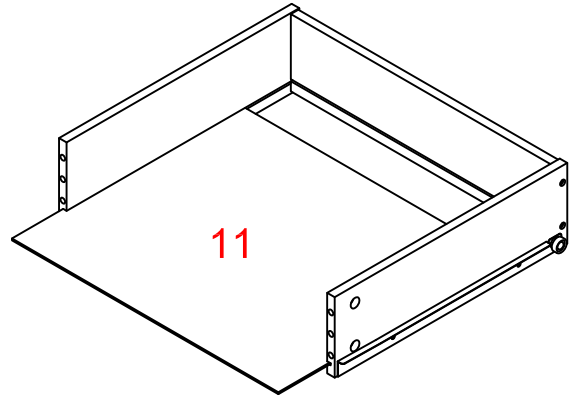
### Step 1



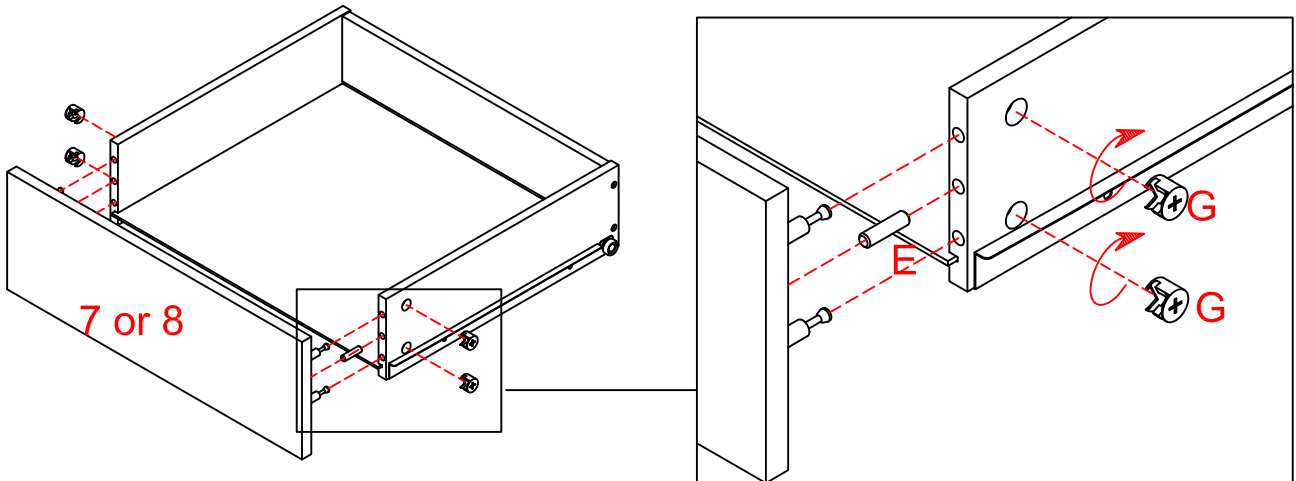
## Step 2



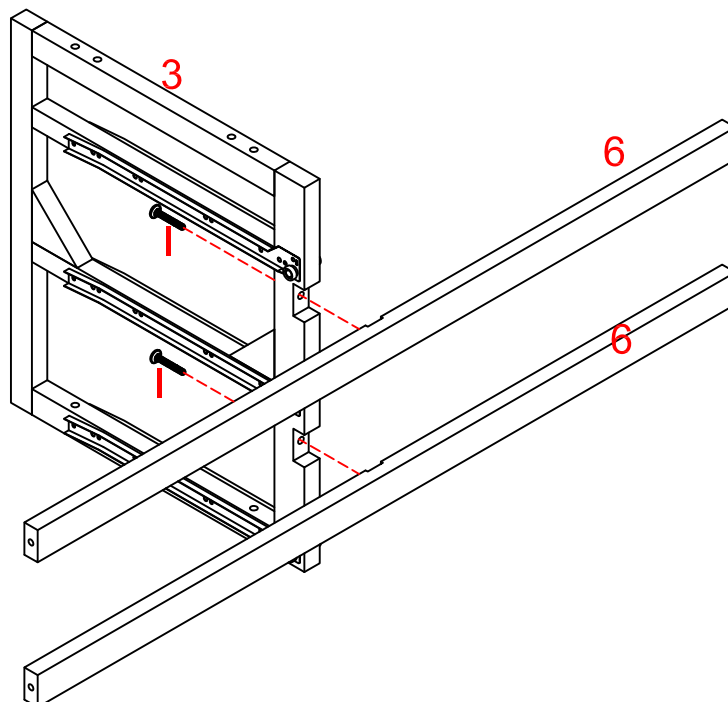
## Step 3



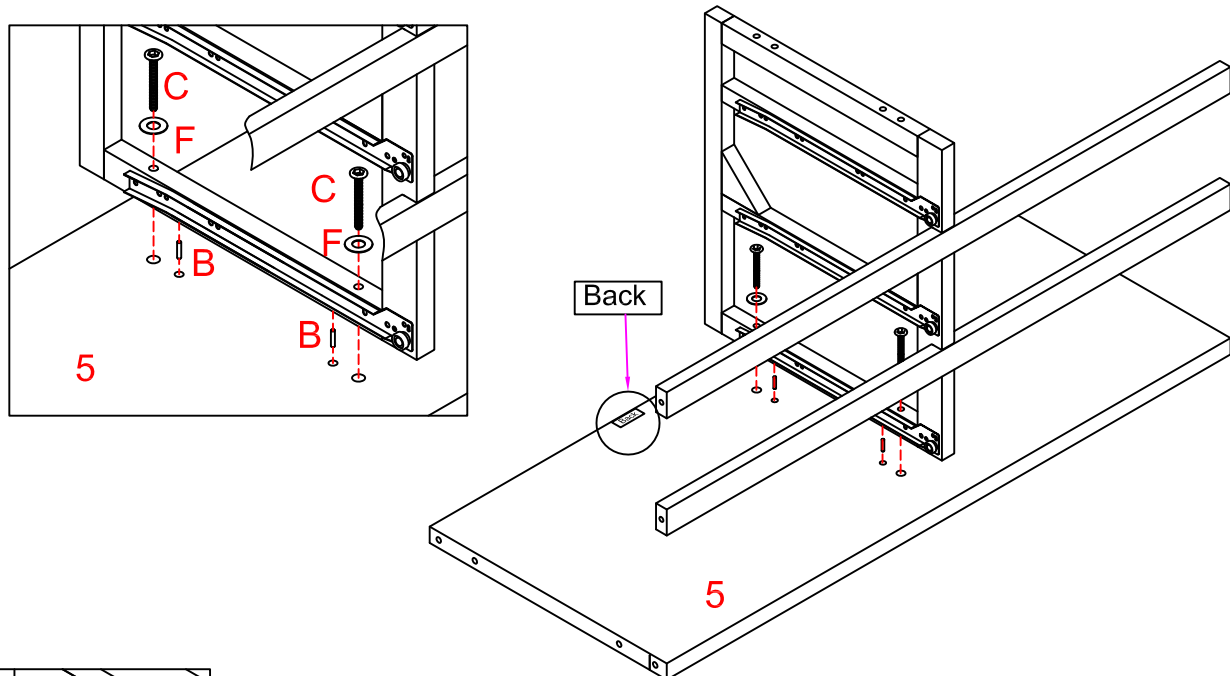
## Step 4



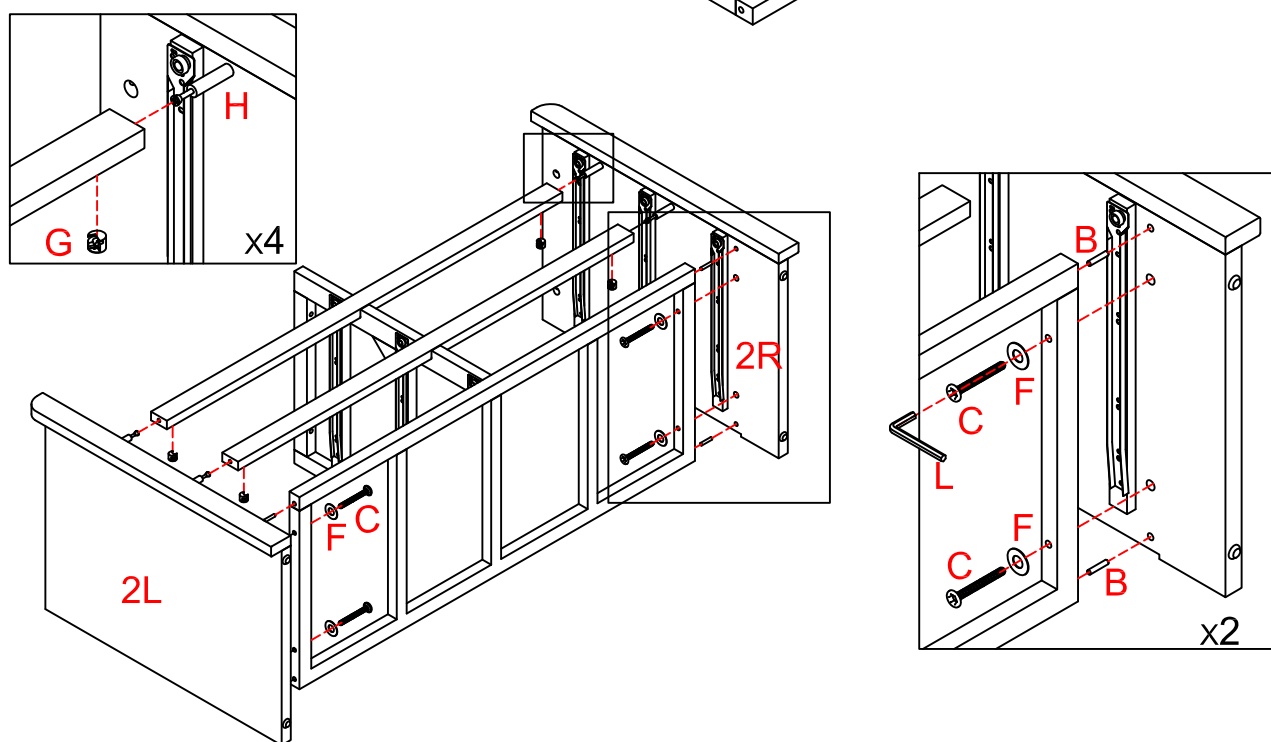
## Step 5



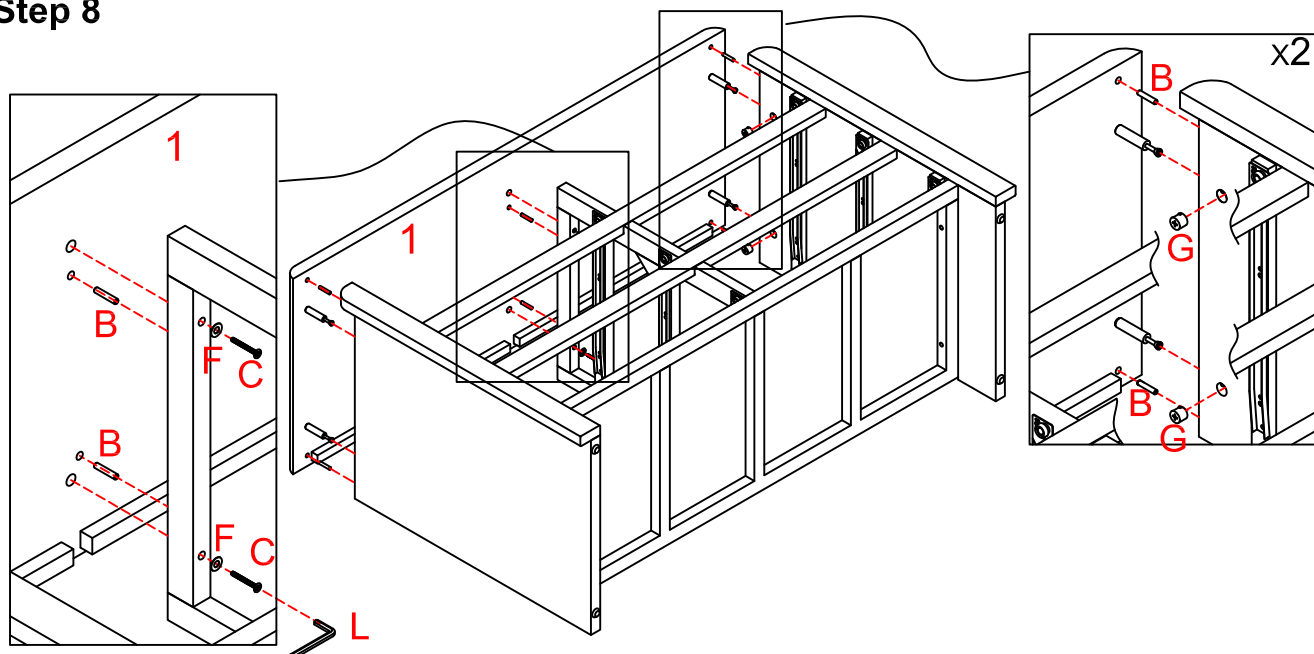
### Step 6



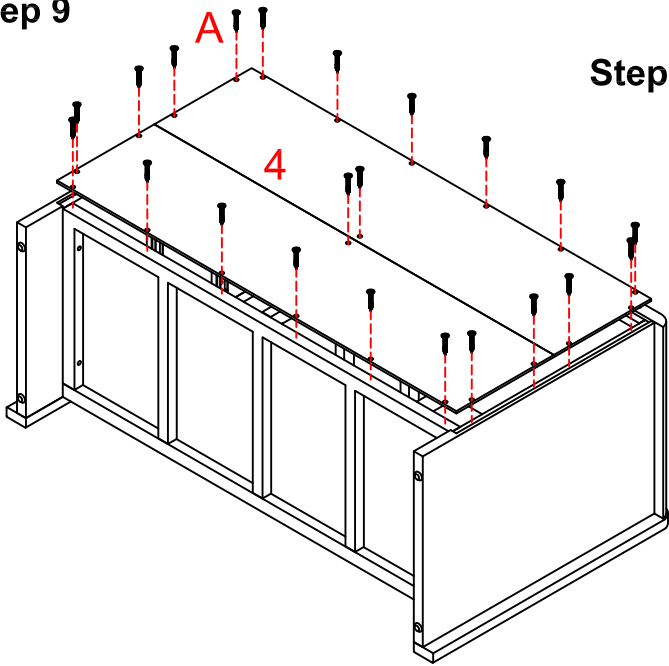
### Step 7



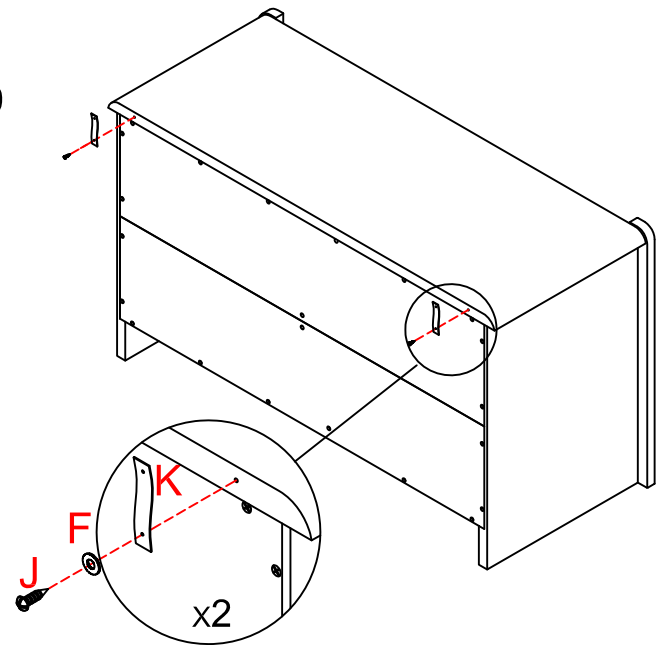
### Step 8



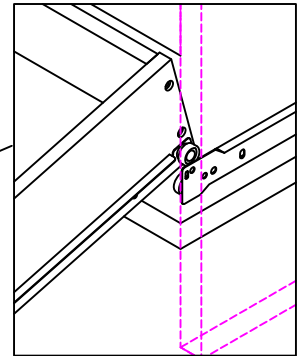
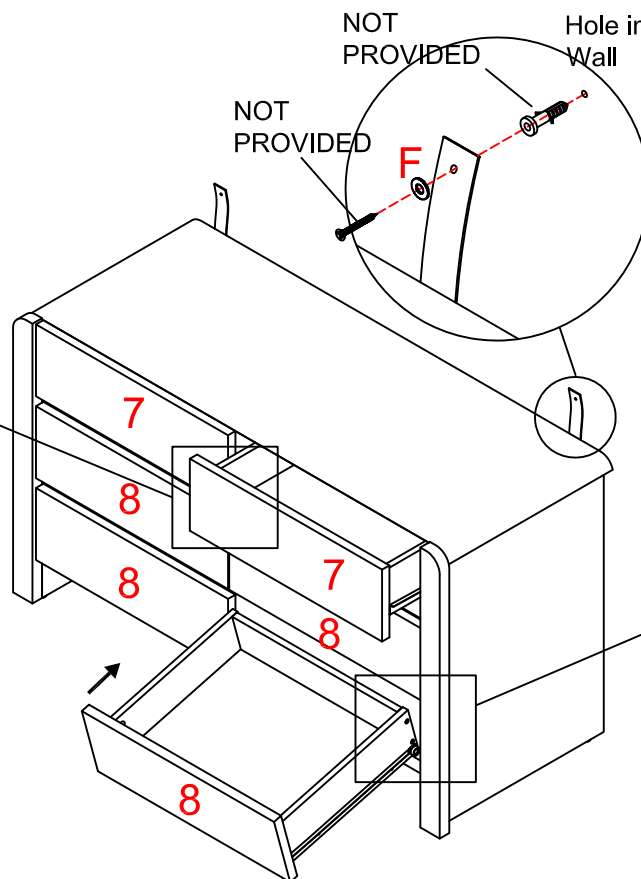
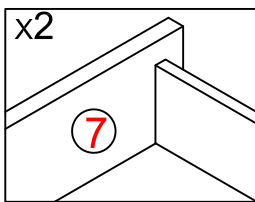
## Step 9



## Step 10



## Step 11



### WARNING:

To prevent your furniture from tilting forward and possibly causing property damage or personal injury it is recommended that you **Securely attach the safety strap provided to your wall using appropriate fixings**

### IMPORTANT:

- **DO NOT** place toys or other child appealing items on top of this furniture
- **AVOID** fully opening all drawers at the same time
- **DO NOT ALLOW** Small children to climb onto Drawers, shelves or to swing from open doors

### CAUTION:

For your safety when attaching the anti-tilt fixings;

- Check for any electrical wires or plumbing inside the wall before drilling any holes (if you are unsure please seek professional advice from a qualified tradesman)
- Walls are constructed from different materials eg: Masonry (solid brick) or plaster board lined cavity walls (hollow). It is important that you use the appropriate wall fixings for your wall type.

**(Your local hardware store will have the necessary drills and fixings and can offer advice if needed)** Page <5/5>