

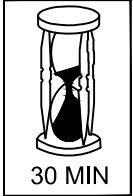
Minimum Two
Persons Assembly



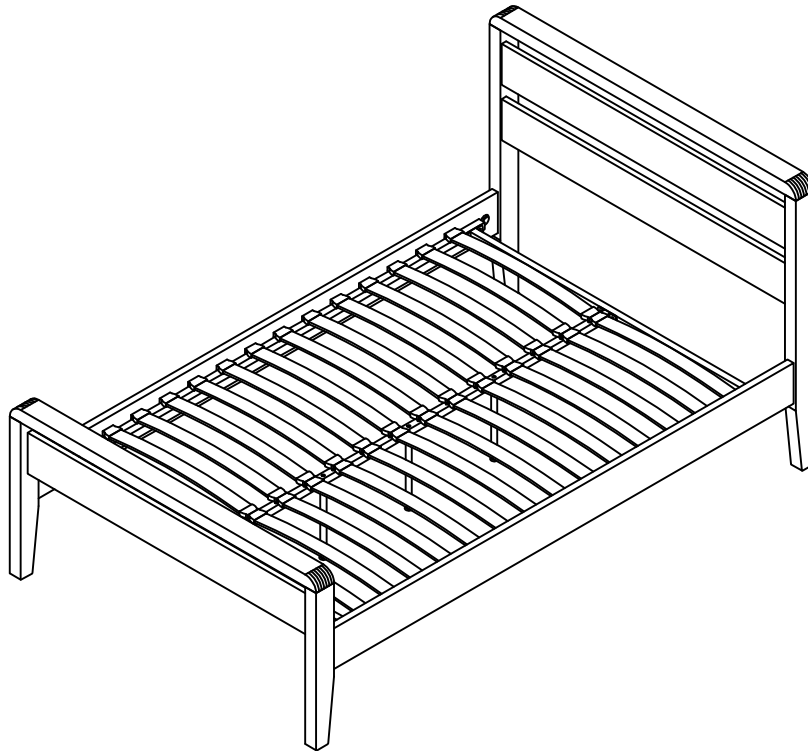
Hip Hop Bed (Two Box Style) / 120CM &135CM &150CM

STK268010/STK268012/STK268011

Assembly instructions
Please keep these instructions for future reference.



Approximate
Assembly Time



Regrettably self-assembly items cannot be returned once assembly is part or fully completed unless the items are found to be faulty. Should you need to return the unassembled product, please repack in its original packaging.

Important information

- We suggest you spend a short time reading through this leaflet and then follow the simple step-by-step instructions.
- Carefully check that you have all the parts before beginning assembly.
- Keep fittings out of children's reach and keep children well away from construction area.
- We suggest you retain these instructions for future reference.
- In the unusual event of an issue with your product would you please quote the batch I.D. number situated on the main parts of the frame (Head End- Foot End- side Rails).

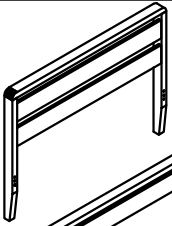
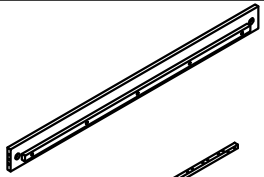
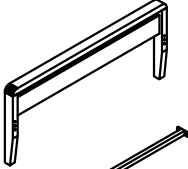

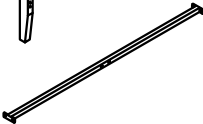
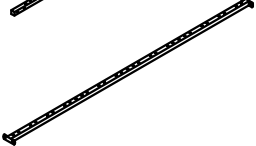




Product information

- Product in ash in natural finish.
- Posture slats.


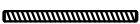



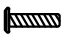
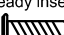




Care instructions

- Avoid exposing the furniture to excessive heat or direct sunlight as this can cause cracking and deterioration of the color.
- Periodically check & re-tighten any fastener.
- Periodically dust lightly with a clean soft cloth.
- Do not use silicone based furniture polish.
- Any spills should be removed immediately with a damp cloth.
- TAKE CARE WHEN MOVING THE FURNITURE AND NEVER DRAG THE PIECES ACROSS THE FLOOR, AS THIS WILL CAUSE DAMAGE TO THE JOINTS

Small double: 120cm×190cm
 double: 135cm×190cm & King: 150cm×200cm

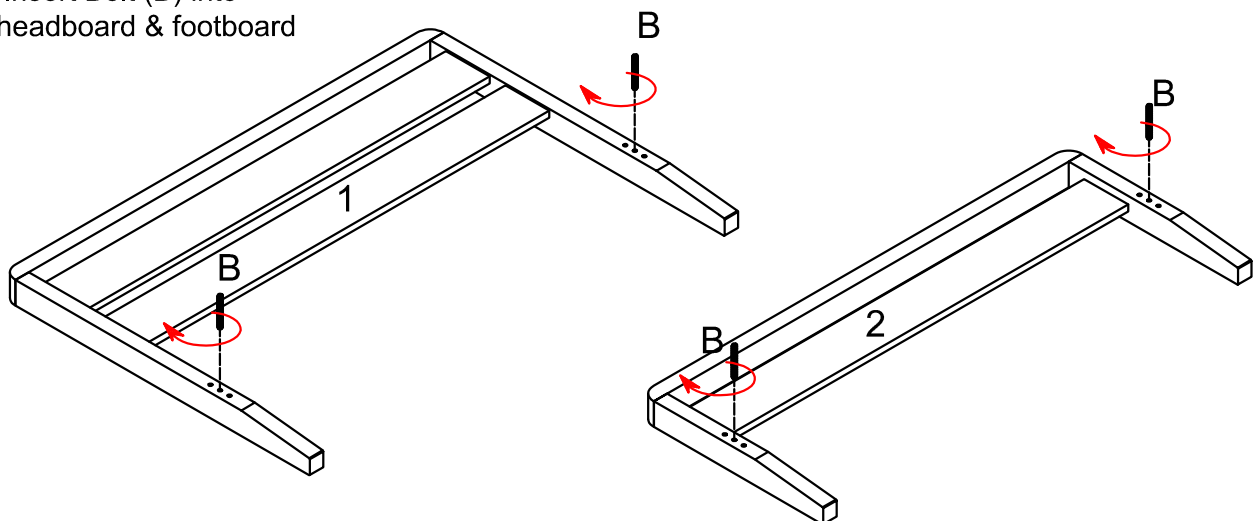
Component of Carton A		Component of Carton B	
(1) Head board×1		(3) Side rail×2	
(2) Foot board×1		(4) Cleat rail×2	
(5) End rail×2		(6) Center rail×1	
(7) Wooden slats×28		(9) Plastic end cap×32 (spare 4pcs)	
(8) Support leg×3		(10) Plastic center cap×16 (spare 2pcs)	

Hardware List

(A) Connector ×4 	(B) Connecting bolt ×4 	(C) M8 Nut ×4 	(D) Ø8 Spring washer ×4 
(E) Ø10×40 Dowel ×8 	(F) M6×20 Bolt ×12 	(G) M8 ×35 Bolt ×3 (already inserted into support legs) 	(H) Ø8 Flat Washer ×3 
(I) 4MM Allen key ×1 	(J) 5MM Allen key ×1 	(K) Spanner ×1 	

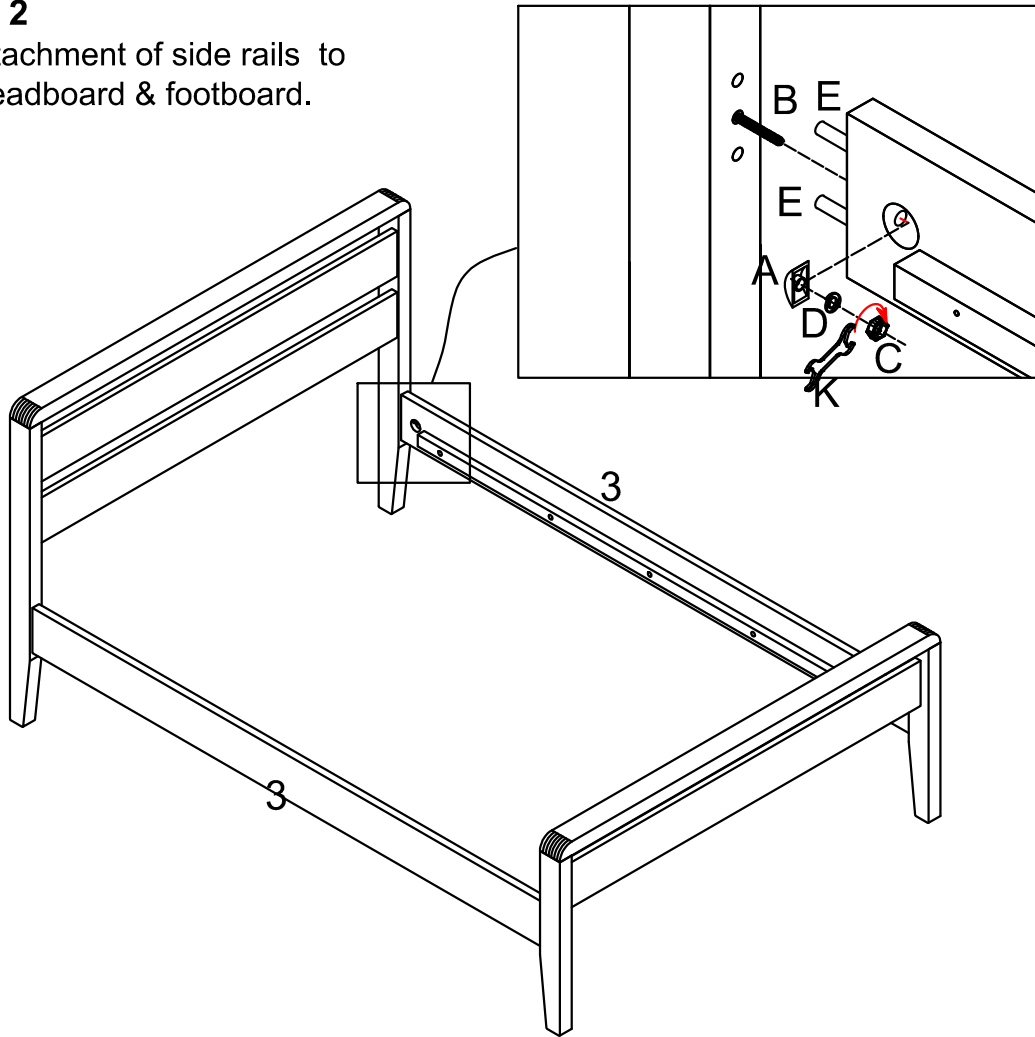
Step 1

- Insert Bolt (B) into headboard & footboard



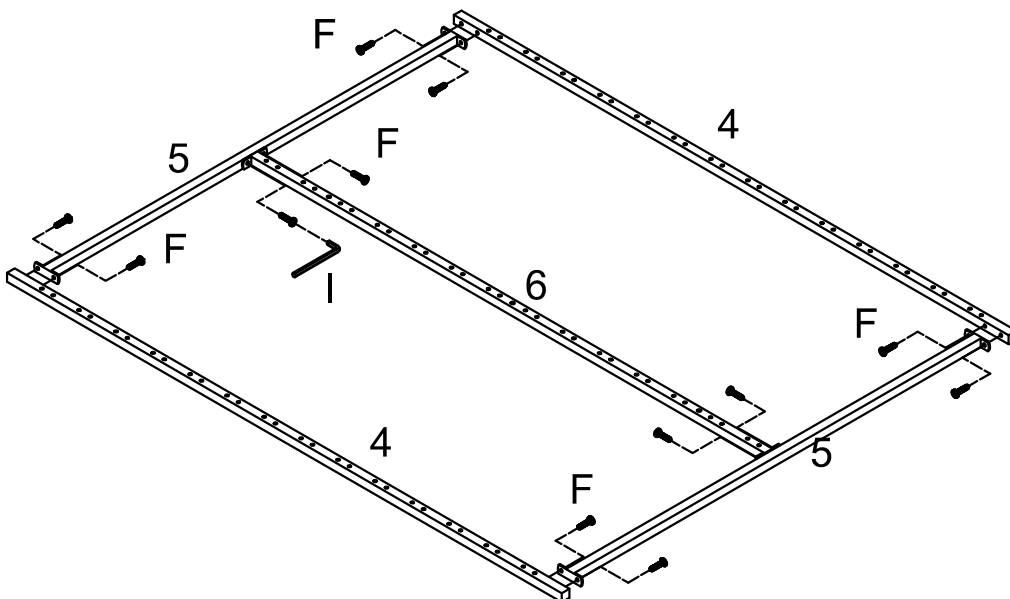
Step 2

- Attachment of side rails to headboard & footboard.



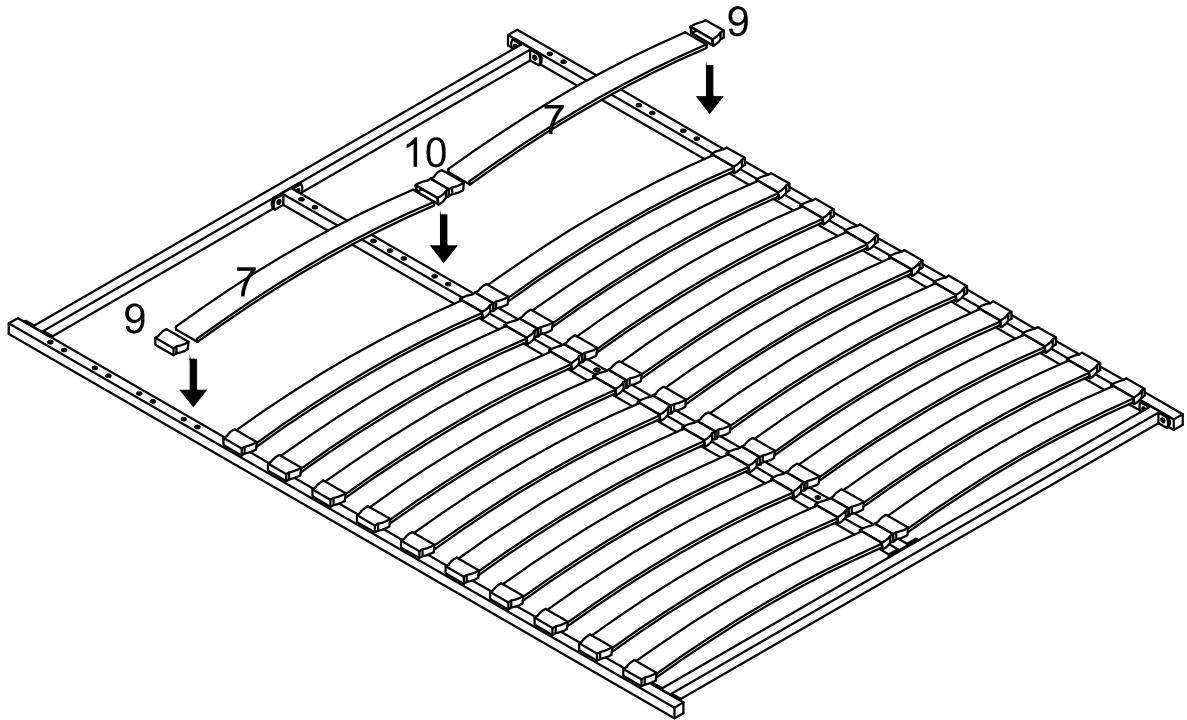
Step 3

- Attachment of cleat and end rails.
- Attachment of center rail to frame.



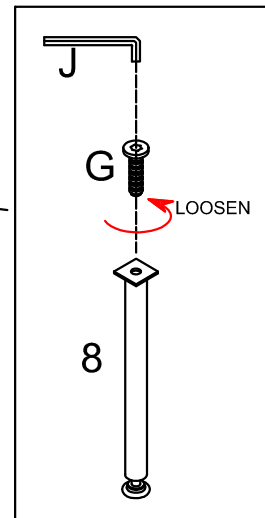
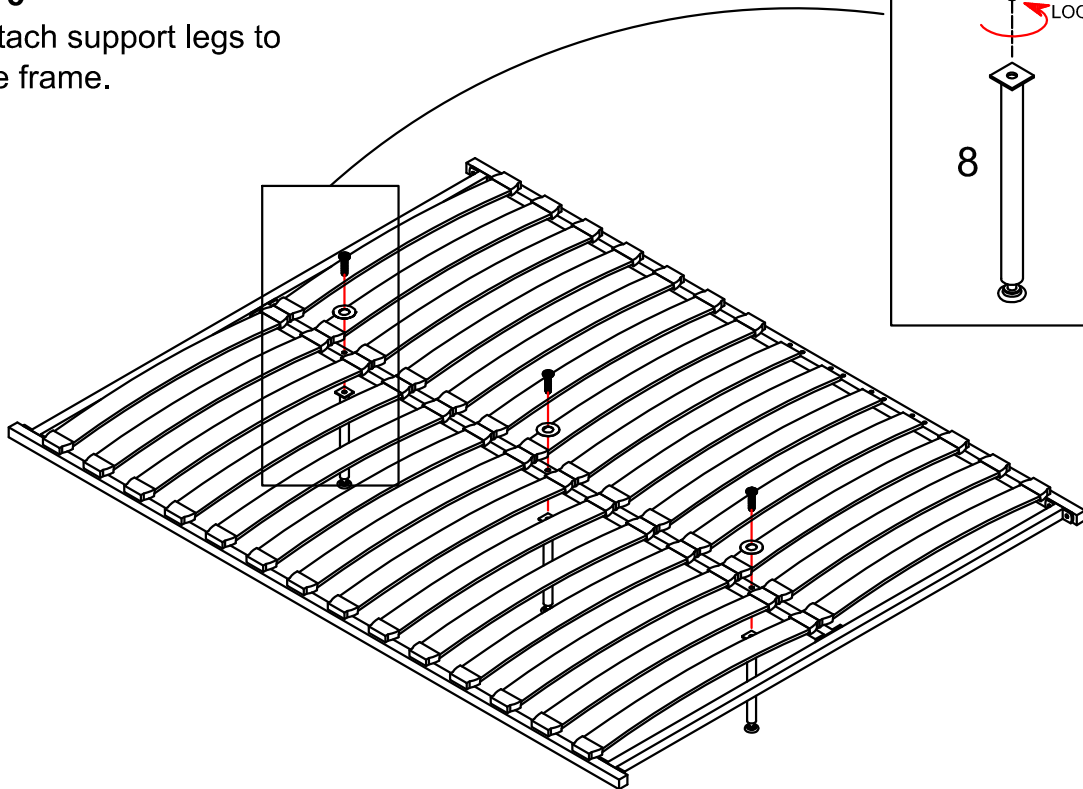
Step 4

- Slot posture slats as shown below.



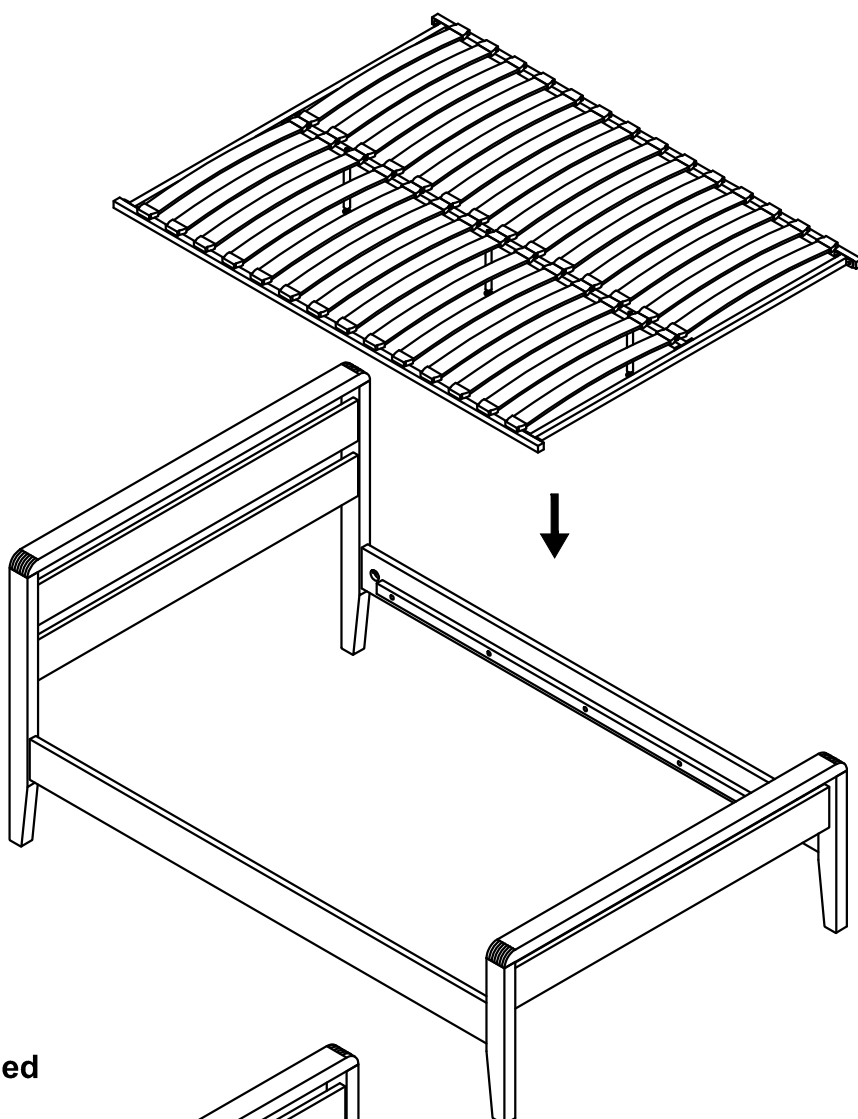
Step 5

- Attach support legs to the frame.



Step 6

- Place the frame to bed.



Finished

