

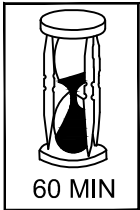
Minimum Two
Persons Assembly



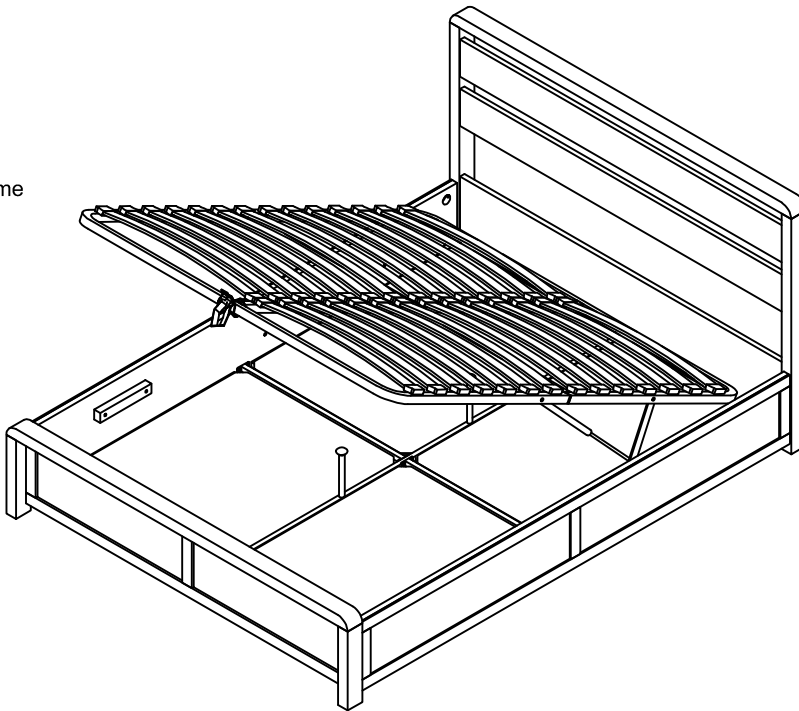
Hip Hop Lift-up Bed/ 135cm & 150cm

HUBHIP006/HUBHIP007

Assembly instructions
Please keep these instructions for future reference.



Approximate
Assembly Time



Regrettably self-assembly items cannot be returned once assembly is part or fully completed unless the items are found to be faulty. Should you need to return the unassembled product, please repack in its original packaging.

Important information

- We suggest you spend a short time reading through this leaflet and then follow the simple step-by-step instructions.
- Carefully check that you have all the parts before beginning assembly.
- Keep fittings out of children's reach and keep children well away from construction area.
- We suggest you retain these instructions for future reference.
- In the unusual event of an issue with your product would you please quote the batch I.D. number situated on the main parts of the frame (Head End- Foot End- side Rails).

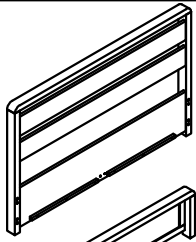
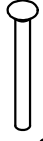
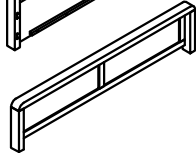

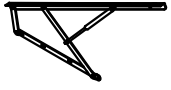
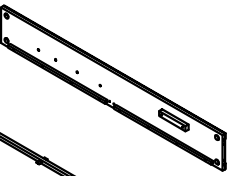
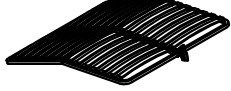
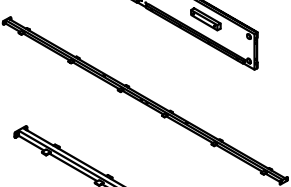
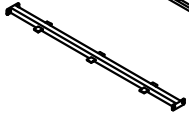
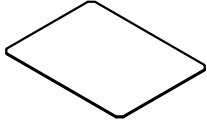
Product information

- Product in ash in natural finish.
- Sprung slatted base with gas hydraulic system & 2 support legs.


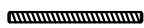



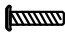

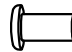






Care instructions

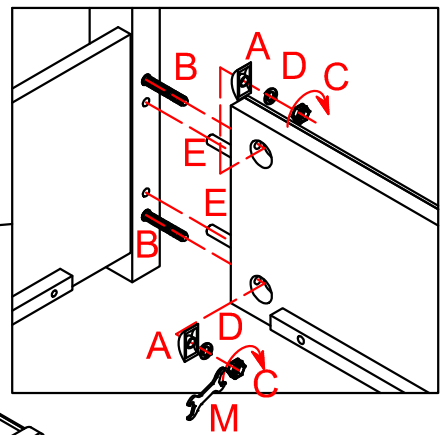
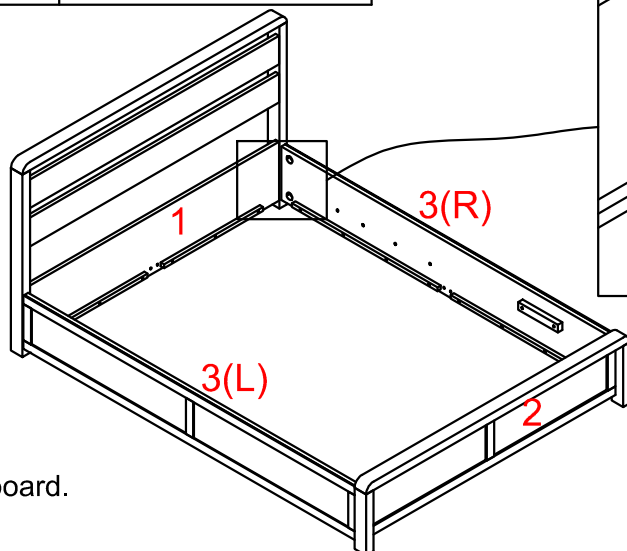
- Avoid exposing the furniture to excessive heat or direct sunlight as this can cause cracking and deterioration of the color.
- Periodically check & re-tighten any fastener.
- Periodically dust lightly with a clean soft cloth.
- Do not use silicone based furniture polish.
- Any spills should be removed immediately with a damp cloth.
- TAKE CARE WHEN MOVING THE FURNITURE AND NEVER DRAG THE PIECES ACROSS THE FLOOR, AS THIS WILL CAUSE DAMAGE TO THE JOINTS

Double: 135cm×190cm & King : 150cm×200cm

Component of Carton A		Component of Carton C	
(1) Head Board×1		(6) Support Leg / long×2	
(2) Foot Board×1		(7) Support Leg / short ×2	
Component of Carton B		(8) Cylinder (R&L)×2	
(3) Side Rail (R&L)×2		(9) Bed Base×1	
(4) Shelf rail / long×1		Component of Carton D	
(5) Shelf rail / short×2		(10) Shelf×4	

Hardware List

(A) Connector ×8 	(B) Connecting bolt ×8 	(C) M8 Nut ×8 	(D) Ø8 Spring washer ×8 
(E) Ø10×40 Dowel ×8 	(F) M6×15 Bolt ×8 	(G) M8 ×20 Bolt ×18 	(H) M6 Jcn Nut ×2 
(I) M6×20 Bolt ×2 	(J) M10Connecting bolt ×2 	(K) 4MM Allen key ×2 	(L) 5MM Allen key ×1 
(M) Spanner ×1 	(N) Nut ×2 		

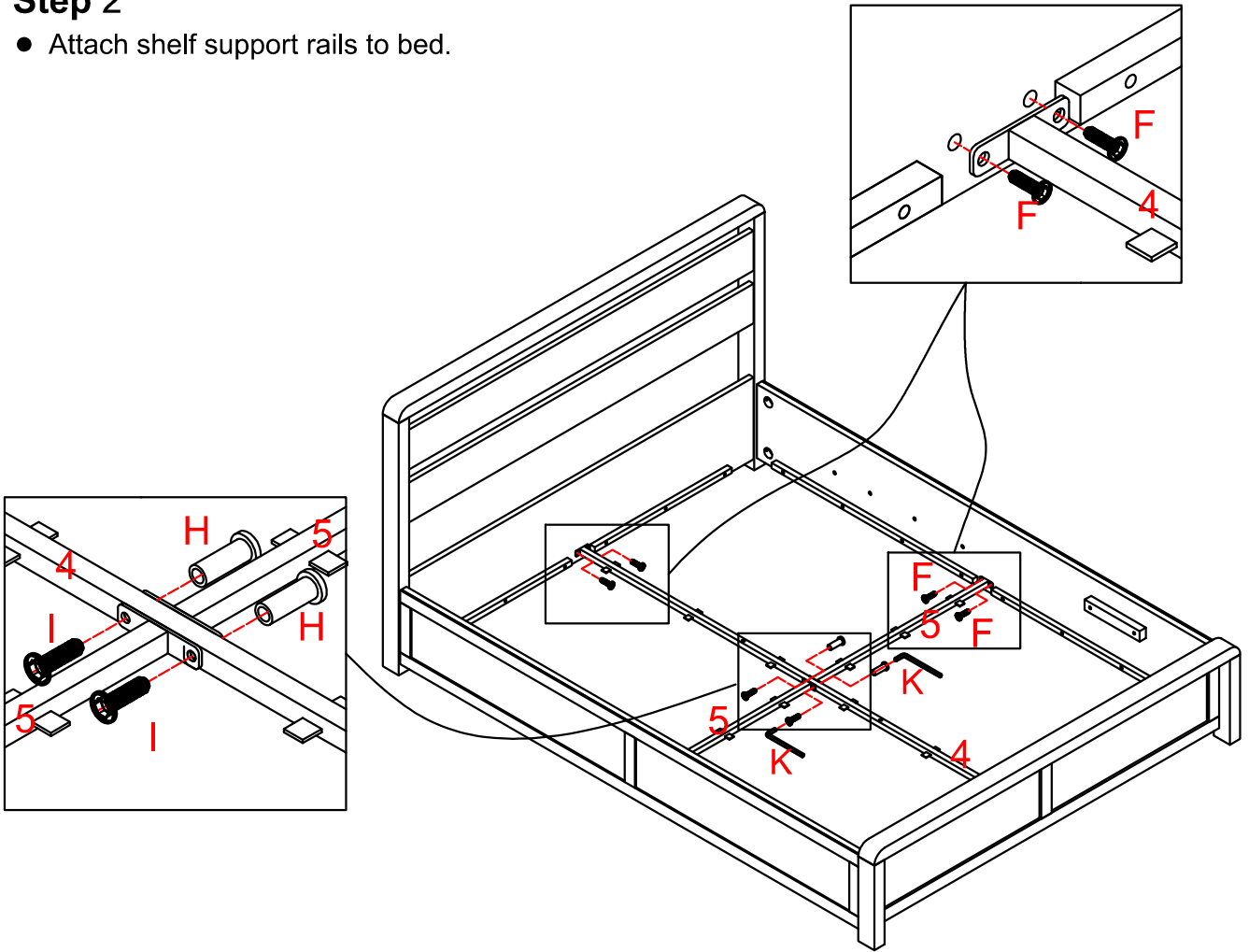


Step 1

- Attach side rails to headboard & footboard.

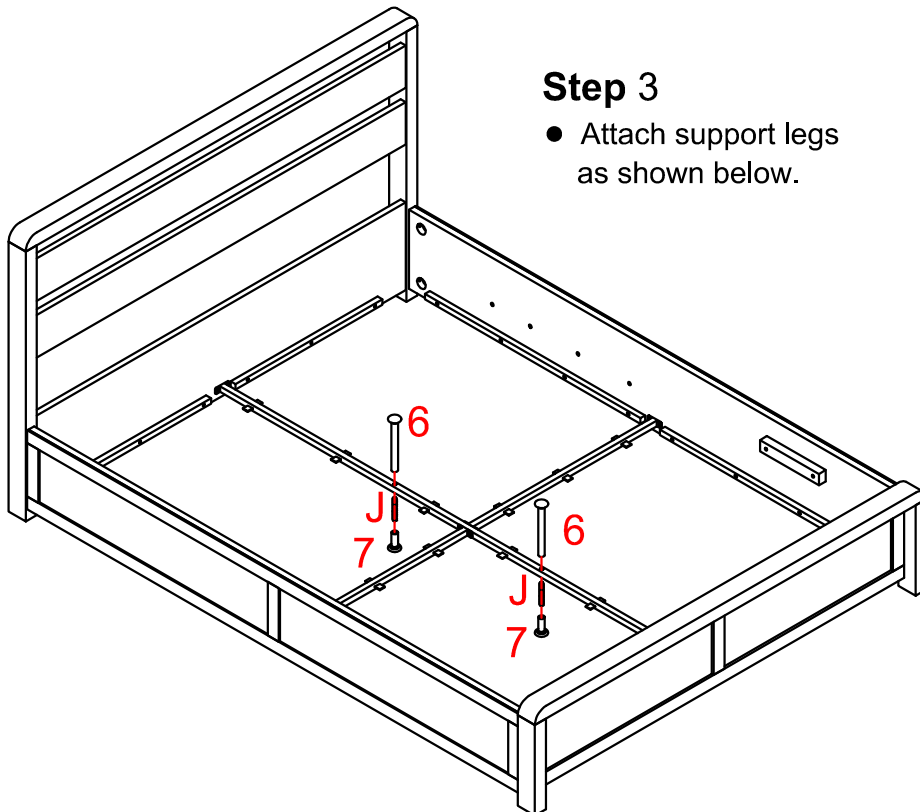
Step 2

- Attach shelf support rails to bed.

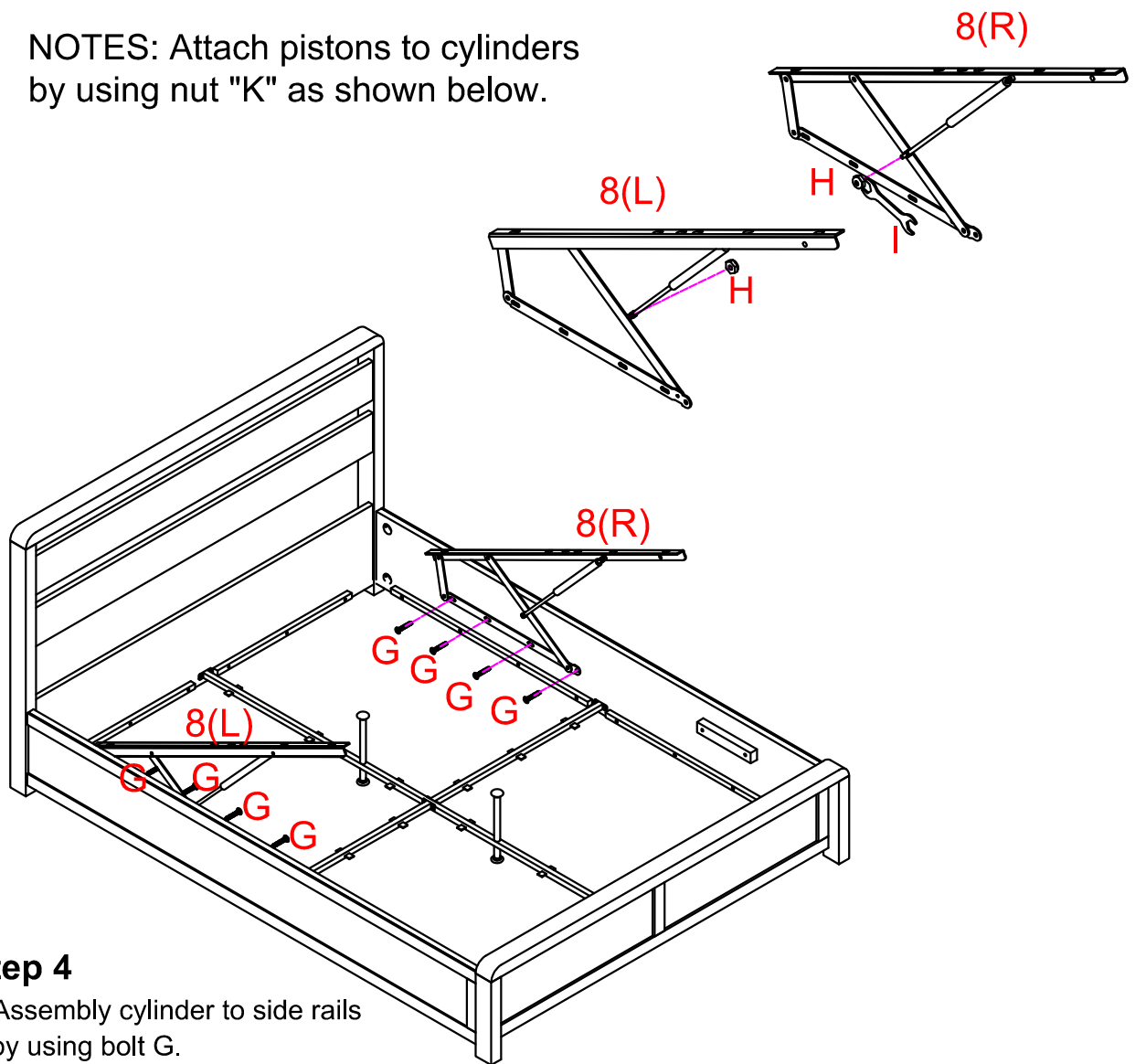


Step 3

- Attach support legs as shown below.

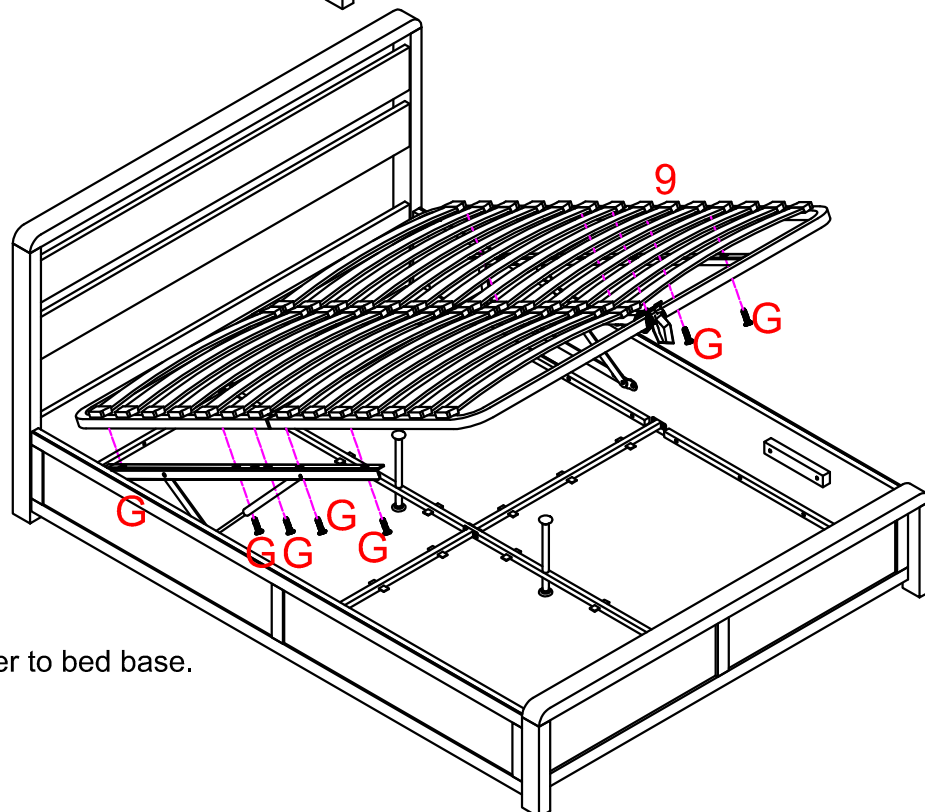


NOTES: Attach pistons to cylinders by using nut "K" as shown below.



Step 4

- Assembly cylinder to side rails by using bolt G.

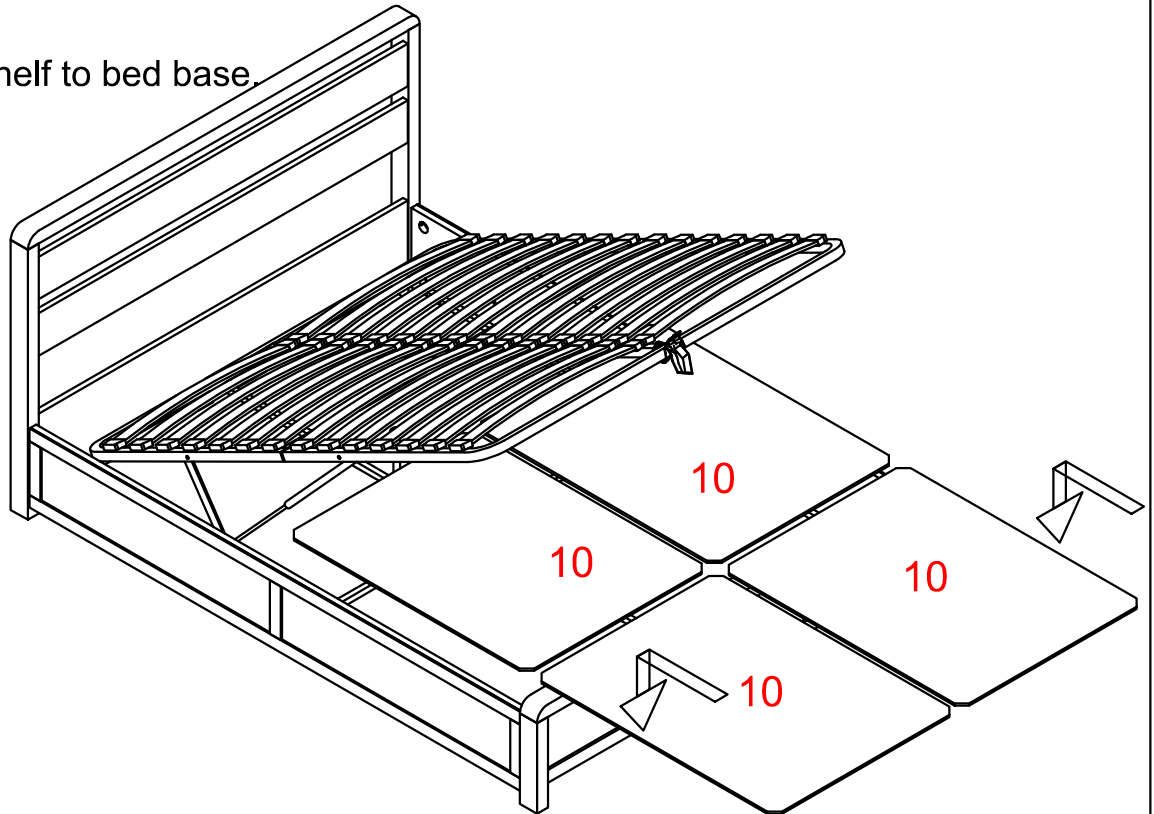


Step 5

- Attach cylinder to bed base.

Step 6

- Place shelf to bed base.



"IMPORTANT NOTICE"

- WARNING: PLEASE DO NOT ALLOW CHILDREN OR PETS INSIDE THE STORAGE AREA.
- WARNING: PLEASE BE CAREFUL WHEN LIFTING. ONLY LIFT WITH MATTRESS ON TOP. TO BE OPERATED BY ADULTS ONLY.
- WARNING: PLEASE DO NOT PRESS DOWN ON THE MATTRESS WHEN THE BED FRAME IS IN THE LIFT UP POSITION.
- WARNING: THE BED FRAME TOP MUST ONLY BE CLOSED BY USING TWO HANDS EQUALLY SPACED FROM THE CENTER OF THE MATTRESS BASE.

Step 7

- Place pull down the bed base.

Use the strap handle to lift up the mattress base using two hands. Pull the mattress base down using two hands equally spaced from the center of the mattress base. DO NOT pull down on one side of base only as this is likely to damage the base system with potential failure of the mattress base system and lift mechanism.

