

Minimum Two  
Persons Assembly

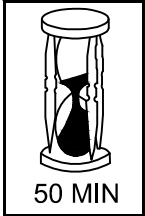
**bensons**  
for **beds**

## 2 DOOR +2 DRAWER HIP HOP WARDROBE WHITE

STK268005

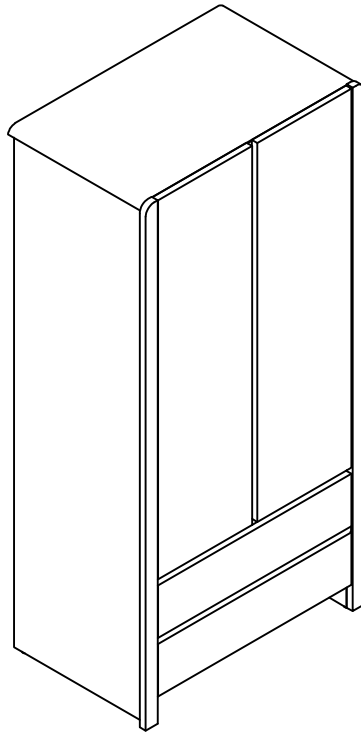
Assembly instructions

Please keep these instructions for future reference.



50 MIN

Approximate  
Assembly Time



Regrettably self-assembly items cannot be returned once assembly is part or fully completed unless the items are found to be faulty. Should you need to return the unassembled product, please repack in its original packaging.

### **Important information**

- We suggest you spend a short time reading through this leaflet and then follow the simple step-by-step instructions.
- Carefully check that you have all the parts before beginning assembly.
- Keep fittings out of children's reach and keep children well away from construction area.
- We suggest you retain these instructions for future reference.
- In the unusual event of an issue with your product would you please quote the batch I.D. number situated on the main parts of the frame.

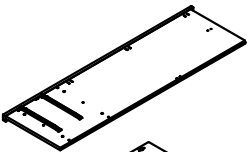
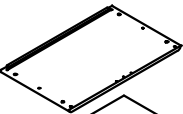

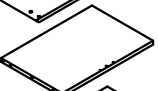


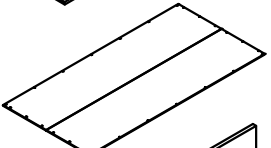

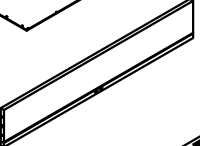

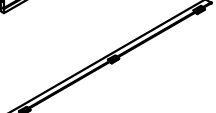
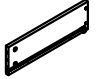

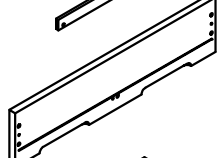

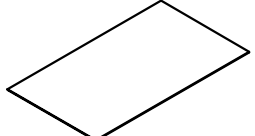
### **Product information**

- Product finished Painted White finish.
- 2 Door & 2 Drawer.
- Conforms to BS EN14749 & BS4875-7 Standard








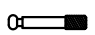










### **Care instructions**

- Avoid exposing the furniture to excessive heat or direct sunlight as this can cause cracking and deterioration of the color.
- Periodically check & re-tighten any fastener.
- Periodically dust lightly with a clean soft cloth.
- Do not use silicone based furniture polish.
- Any spills should be removed immediately with a damp cloth.
- TAKE CARE WHEN MOVING THE FURNITURE AND NEVER DRAG THE PIECES ACROSS THE FLOOR, AS THIS WILL CAUSE DAMAGE TO THE JOINTS

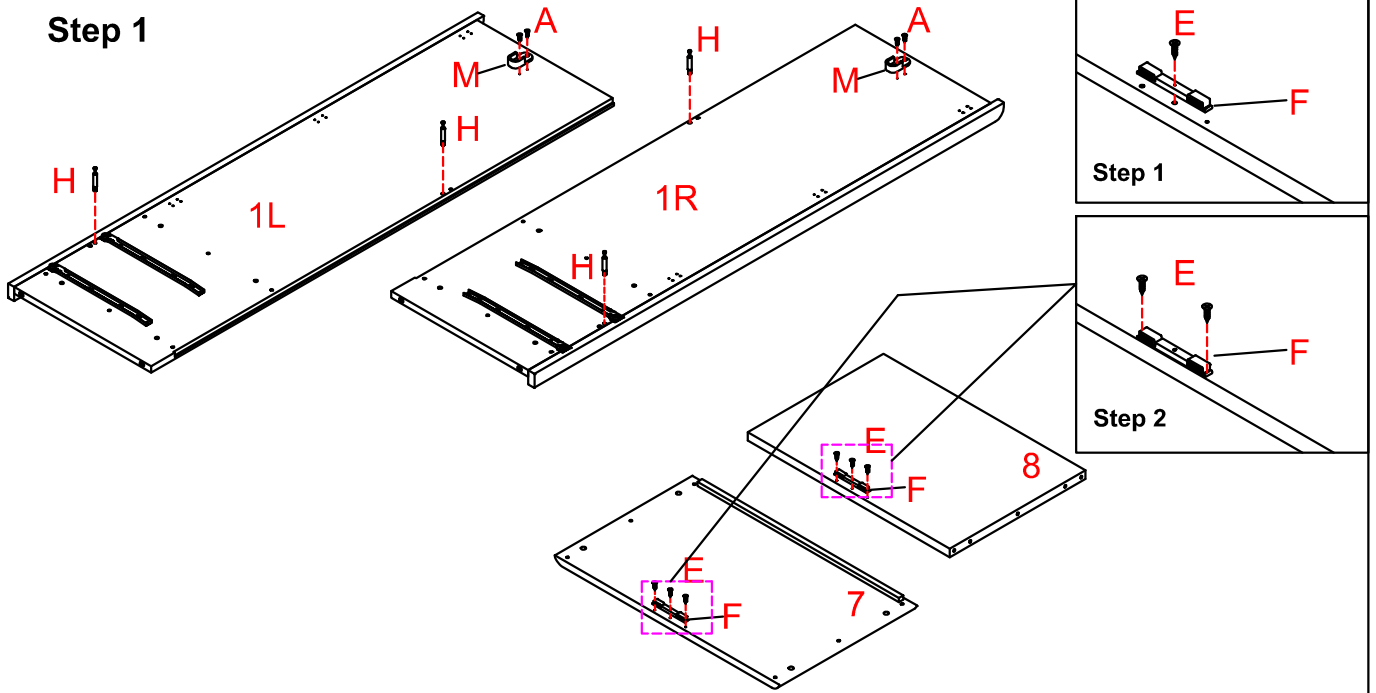
## 2Door -2Drawer Wardrobe

Component of Carton A	Component of Carton B
<p>(1) Side panel (R&amp;L)×2</p> 	<p>(7) Top Panel×1</p> 
<p>(2) Door(R)×1</p> 	<p>(8) Shelf×1</p> 
<p>(3) Door(L)×1</p> 	<p>(9) Bottom Panel×1</p> 
<p>(4) Back Panel×1</p> 	<p>(10) Hanger Rail ×1</p> 
<p>(5) Drawer back ×2</p> 	<p>(11) Front support rail ×1</p> 
<p>(6) Batten ×1</p> 	<p>(12) Drawer side panel ×4(R&amp;L)</p> 
	<p>(13) Back support rail×1</p> 
	<p>(14) Drawer front panel ×2</p> 
	<p>(15) Drawer bottom support ×2</p> 
	<p>(16) Drawer bottom panel ×2</p> 

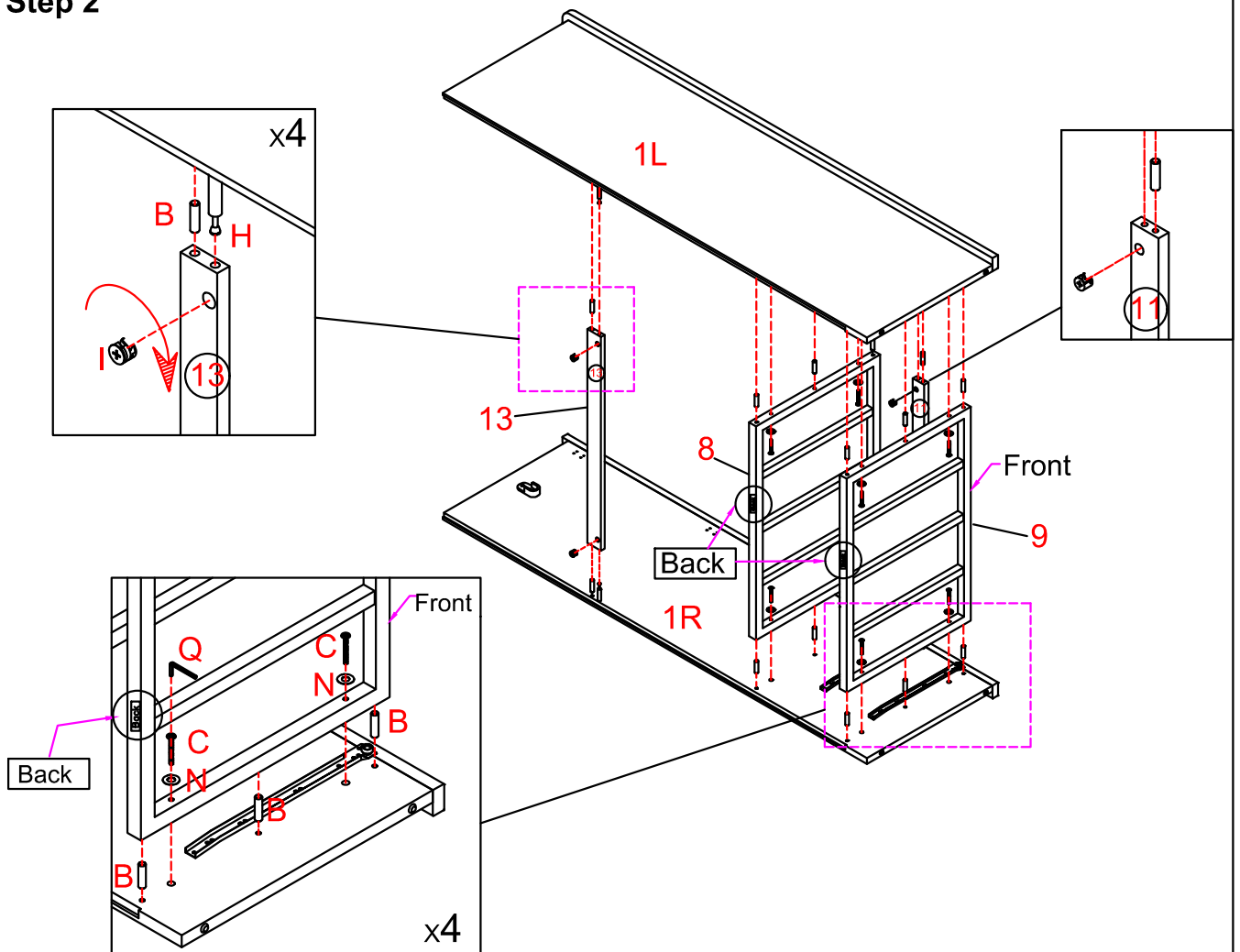
### Hardware List

<p>(A) Ø4×16 Screw ×66</p> 	<p>(B) Ø8 Dowel ×22</p> 	<p>(C) M6×45 Bolt ×8</p> 	<p>(D) M6×35 Bolt ×4</p> 
<p>(E) Ø3×16 Screw(zinc) ×14</p> 	<p>(F) Magnetic Catche ×2</p> 	<p>(G) Magnetic Catche ×4</p> 	<p>(H) Locking Pin ×14</p> 
<p>(I) Locking Nut ×14</p> 	<p>(J) Concealed Hinges ×6</p> 	<p>(K) Ø3.5×16 Screw ×2</p> 	<p>(L) Ø4×30 Screw ×10</p> 
<p>(M) Hanger rail support ×2</p> 	<p>(N) Ø6 Washer ×12</p> 	<p>(O) Ø6 Dowel ×12</p> 	<p>(P) Nylon braid ×2</p> 
<p>(Q) 4MM Wrench ×1</p> 	<p>(R) Ø3×14 Screw (black) ×6</p> 		

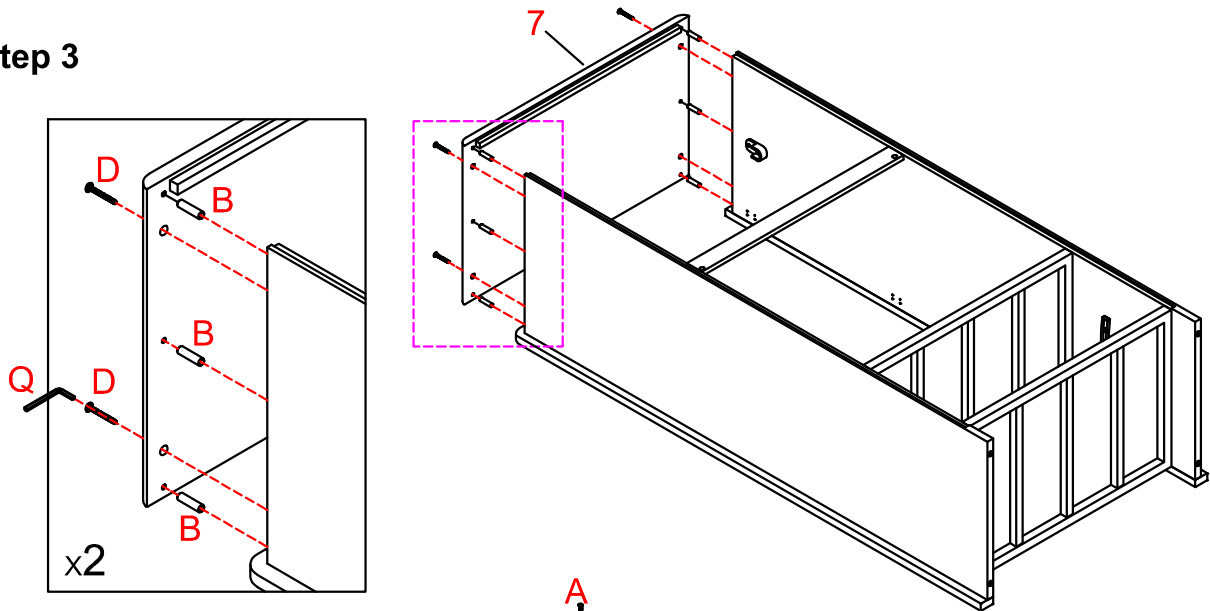
### Step 1



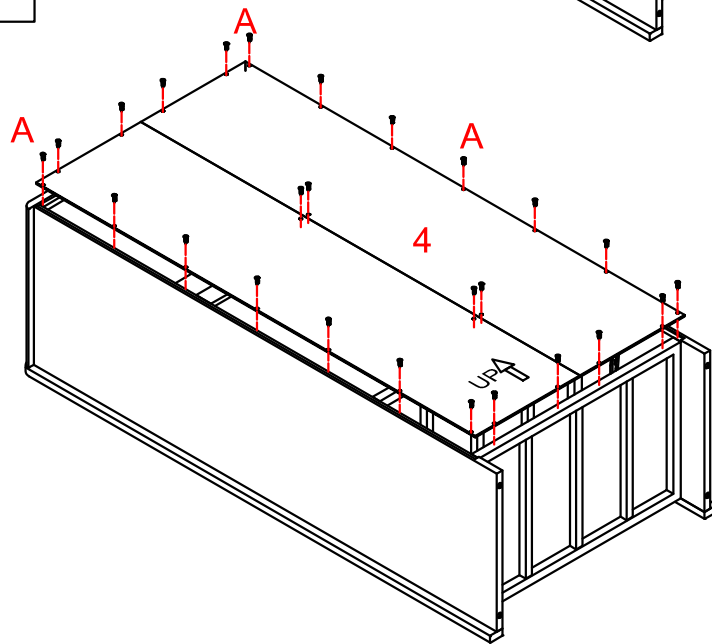
### Step 2



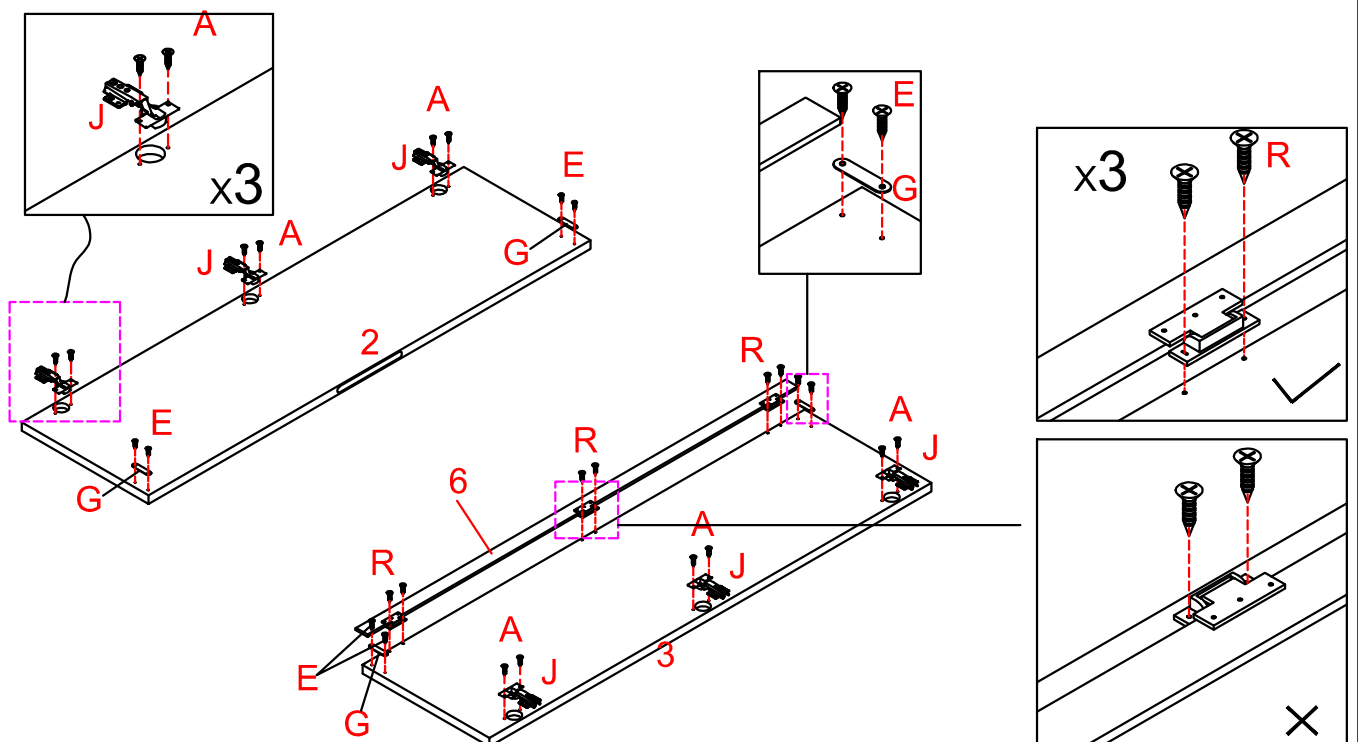
### Step 3



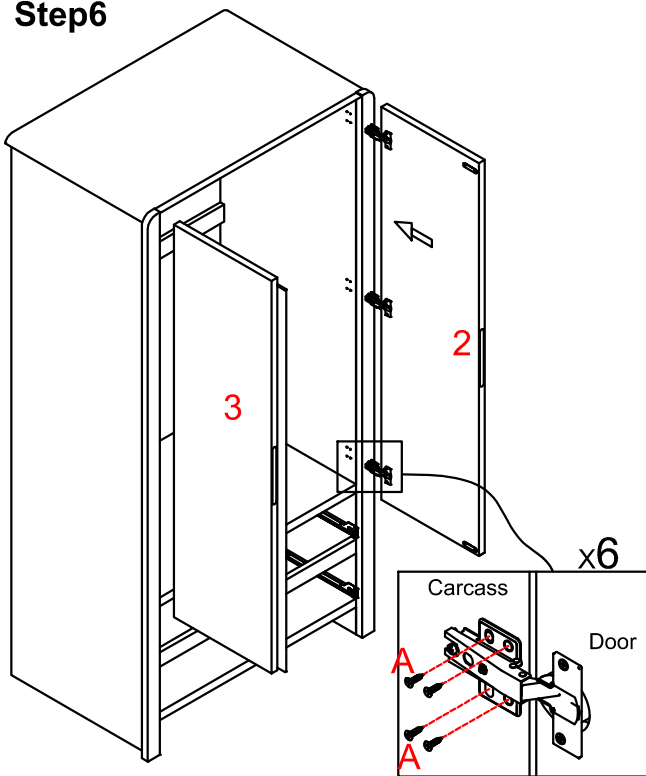
### Step 4



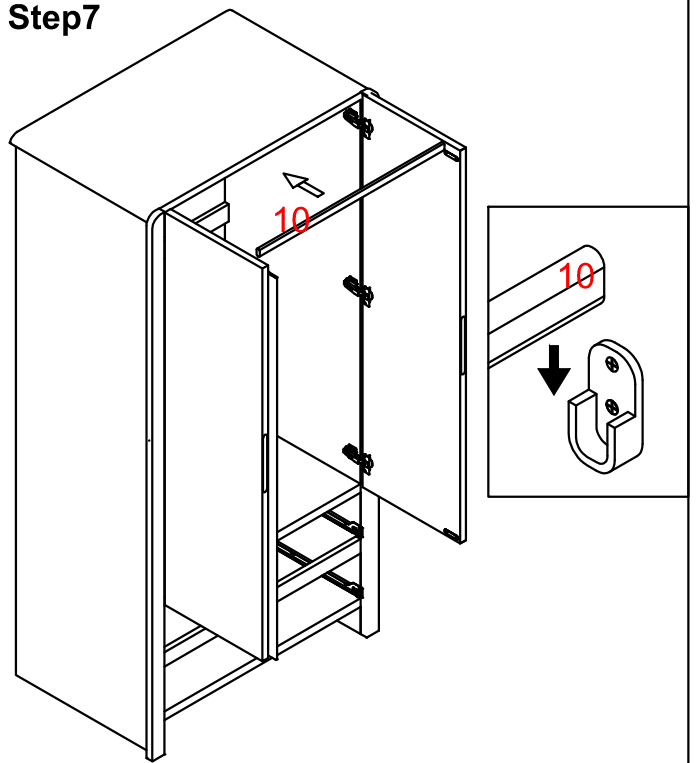
### Step 5



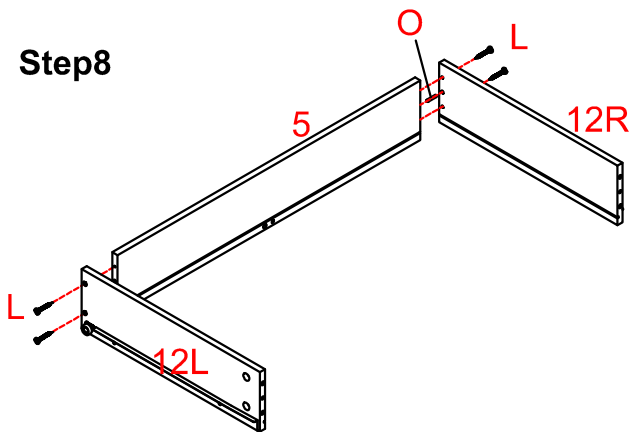
**Step6**



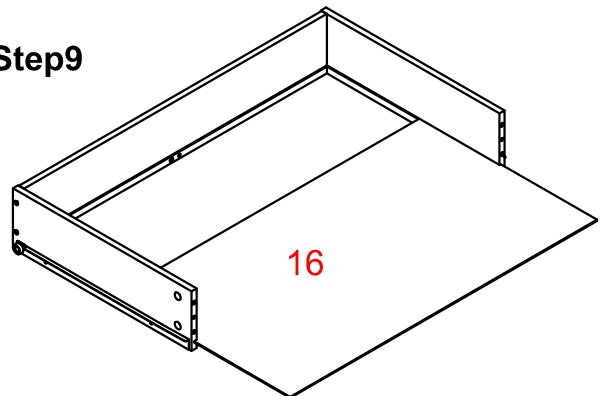
**Step7**



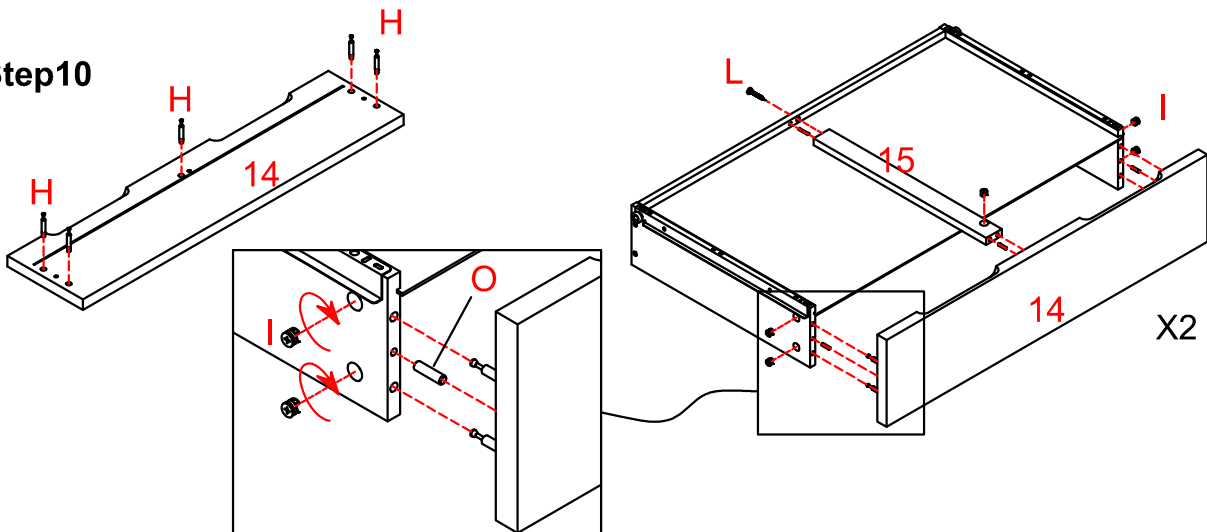
**Step8**



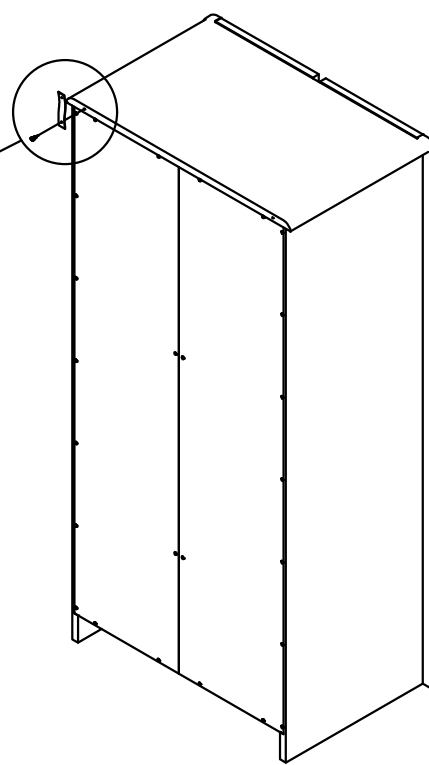
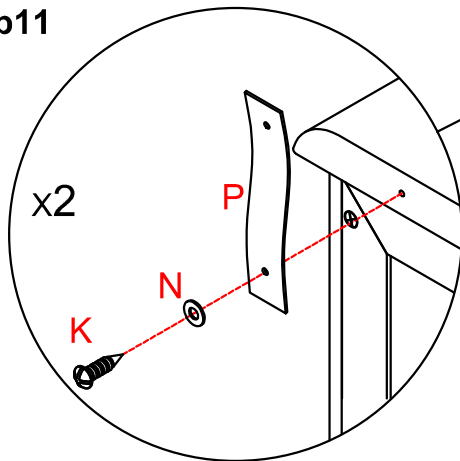
**Step9**



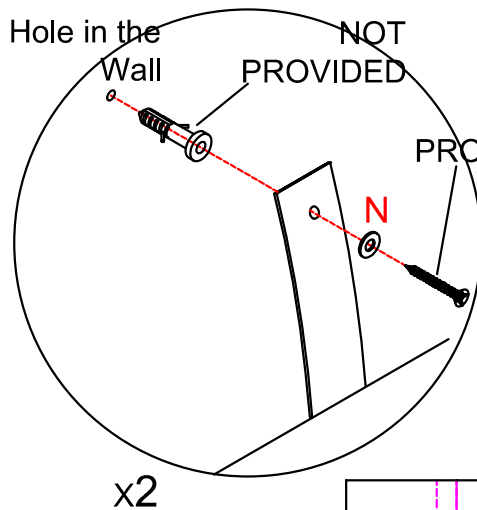
**Step10**



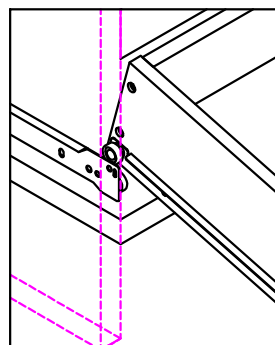
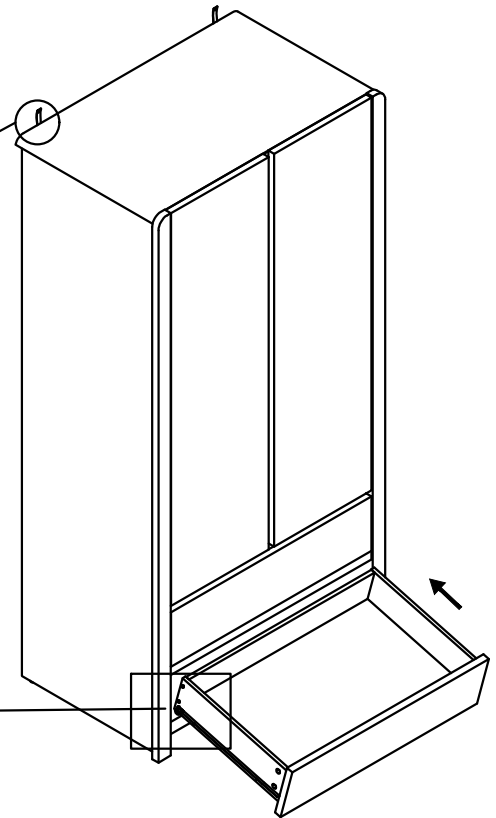
### Step 11



### Step 12



NOT PROVIDED



#### **WARNING:**

To prevent your furniture from tilting forward and possibly causing property damage or personal injury it is recommended that you **Securely attach the safety strap provided to your wall using appropriate fixings**

#### **IMPORTANT:**

- **DO NOT** place toys or other child appealing items on top of this furniture
- **AVOID** fully opening all drawers at the same time
- **DO NOT ALLOW** Small children to climb onto Drawers, shelves or to swing from open doors

#### **CAUTION:**

For your safety when attaching the anti-tilt fixings;

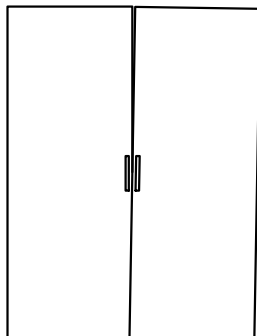
- Check for any electrical wires or plumbing inside the wall before drilling any holes (if you are unsure please seek professional advice from a qualified tradesman)
  - Walls are constructed from different materials eg: Masonry ( solid brick) or plaster board lined cavity walls (hollow).
- It is important that you use the appropriate wall fixings for your wall type.

**(Your local hardware store will have the necessary drills and fixings and can offer advice if needed)**

# Assembly Instructions

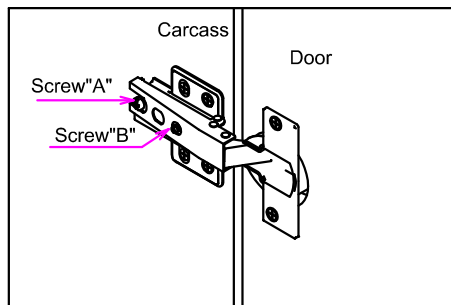
## Hinge Adjustment

### Lateral Movement



What it looks like

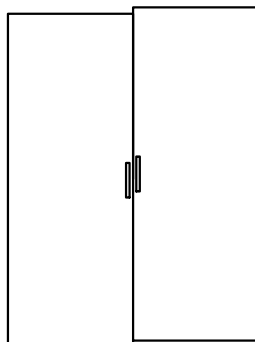
- The door will not be flush with the side panel.



How to fix it

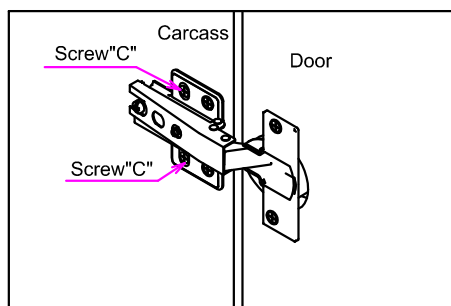
- To move the door towards the centre of the unit, loosen Screw "A". Adjust the door and then tighten Screw "B".
- To move the door away from the centre of the unit, loosen Screw "B". Adjust the door and then tighten Screw "A".

### Vertical Movement



What it looks like

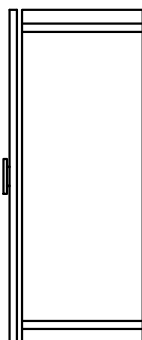
- The door will not be flush with the vertical panel.



How to fix it

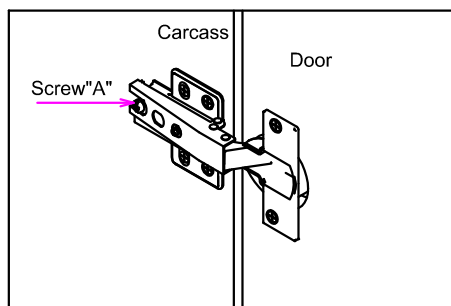
- To move the door towards or away from the horizontal panels, loosen Screws "C". Adjust the door and then tighten Screws "C".

### Horizontal Movement



What it looks like

- The door will appear too far or too close from the front edge of the side panel.



How to fix it

- To move the door towards or away from the unit, loosen Screw "A". Adjust the door forwards or backwards until there is an even gap between the door and the front edge of the side panel.
- Tighten Screw "A" once the adjustment has been made.