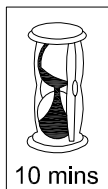


P.O.Number :
Please Keep This Number For
Future Reference
**THIS FORMS PARTS OF
YOUR GUARANTEE!!**

bensons
for **beds**



**ONE PERSON
ASSEMBLY**



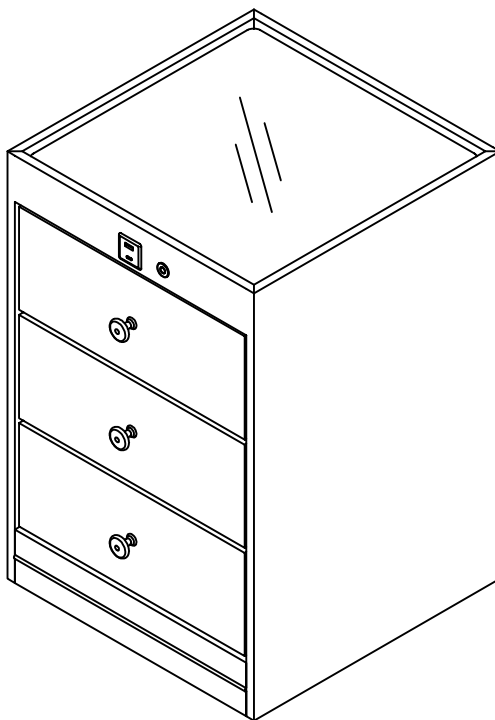
10 mins

**APPROXIMATE
ASSEMBLY TIME**

3 DRAWER KUBAN USB-C CHARGER BEDSIDE TABLE
STK451110 / STK451111 / STK451112
STK451113 / STK451114

Assembly Instructions

Please keep these instructions for future reference.



Regrettably self-assembly items cannot be returned once assembly is part or fully completed unless the items are found to be faulty. Should you need to return the unassembled product, please repack in its original packaging.

Important Information

- We suggest you spending a short time reading through this leaflet and then follow the simple step-by-step instructions.
- Carefully check that you have all the parts before beginning assembly.
- Keep fittings out of children's reach and keep children well away from construction area.
- We suggest you retain these instructions for future reference.

Product Information

- Upholstered Bedside Table Using Maskat Fabric, Artemis Fabric & Tiffany Fabric Material.
- Conforms to BS 5852. Tempered glass conforms to BS EN12150.

Care Instructions

- Avoid exposing the furniture to excessive heat or direct sunlight as this can cause cracking and deterioration of the colour.
- Periodically check & re-tighten any fastener.
- Periodically dust lightly with a clean soft cloth.
- Do not use silicone based furniture polish.
- Any spills should be removed immediately with a damp cloth.
- **TAKE CARE WHEN MOVING THE FURNITURE AND NEVER DRAG THE PIECES ACROSS THE FLOOR, AS THIS WILL CAUSE DAMAGE TO THE JOINTS.**

ATTENTION! PLEASE NOTE:

In the event you are experiencing any technical difficulties and you require additional assistance/ support with your product 'Mechanical/ Electrical' function - Please contact :

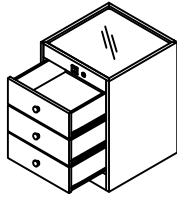
SUPPORT EMAIL: support@bssbfurnitureinnovation.com

UK PRODUCT SUPPORT HOTLINE : 01462600064

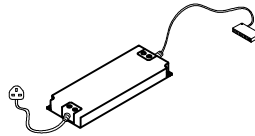
Contact your retailer for all other issues such as damage, missing or faulty components (non electrical) or anything else of a non technical/electrical nature.

Components

(A) Drawer Unit



(F) AC Adaptor



(G) Knob Handle
x 3 (Pre-Installed)



(B) Bolt
x 3 (Pre-Installed)



(C) Safety Strap
x 1



(D) M6 x 16MM
x 2

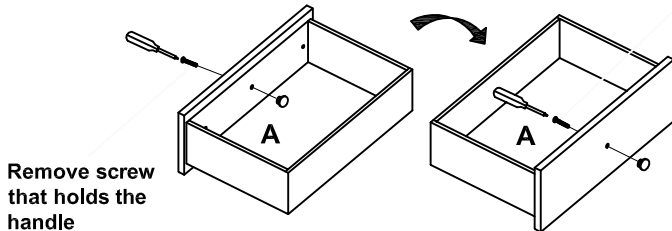


(E) #8 x 3/4" (Screw)
x 1



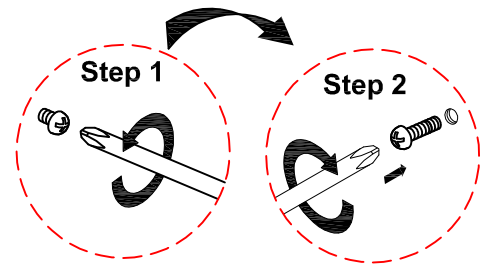
Step 1

- Remove the bolts from the back of the drawer front. Fix the handle (G) on the front of the drawer.

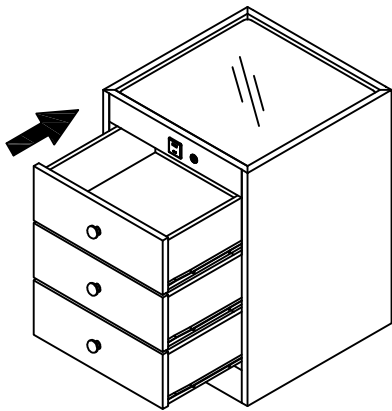


Remove screw that holds the handle

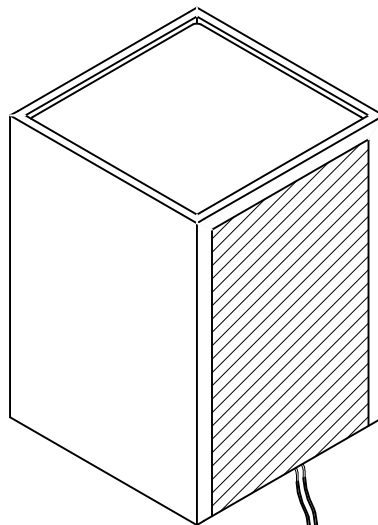
Tighten screw from inside the drawer



Step 2



Step 3



BACK VIEW

CLIP ON
PATTERN
SURFACE

USB CHARGER
INPUT

TOUCH SWITCH SENSOR
INPUT

6 WAY
SOCKET

INSERT

IT DOESN'T MATTER
WHICH OF THE
SOCKETS THE
INPUT PLUGS ARE
INSERTED TO.

PATTERN
SURFACE

CONNECT THE
TOUCH SWITCH
SENSOR (INPUT 12V DC)
AND USB CHARGER
INPUT TO THE 6 WAY SOCKET.

CONNECT THE AC ADAPTOR (F)
PLUG TO THE MAIN POWER.

Step 4

TOUCH SWITCH SENSOR FUNCTION USER GUIDE:-

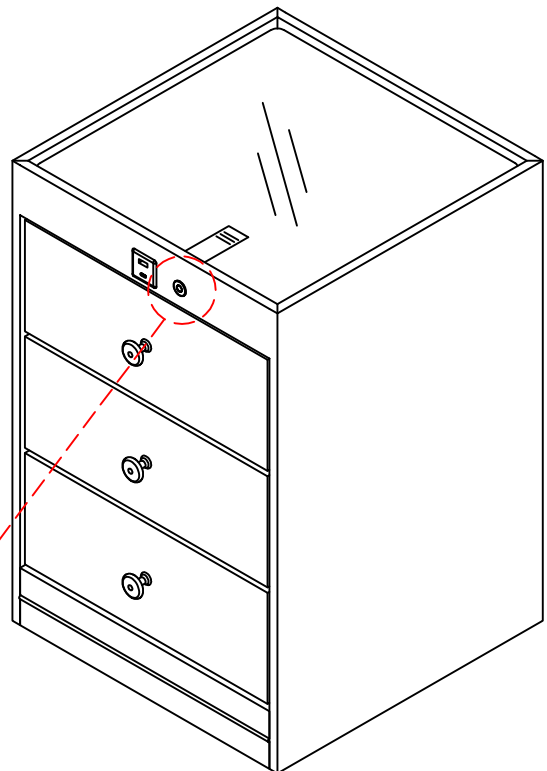
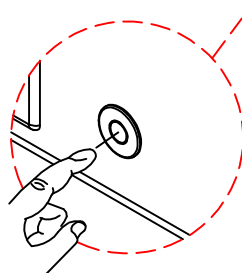
1. Make sure all the cable connections are correct.
2. Switch on the main power supply.
3. To turn on/off the LED light, use the touch sensor beside the USB Charger.

TOUCH SWITCH SENSOR ADJUSTING LED LIGHT (BRIGHTNESS / DIMMED) USER GUIDE :-

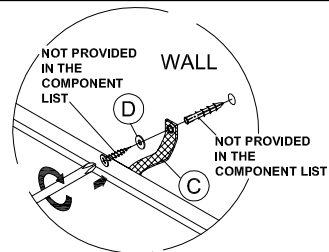
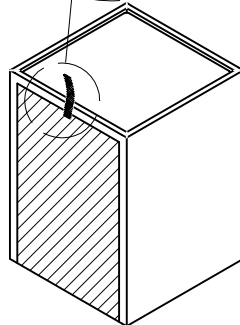
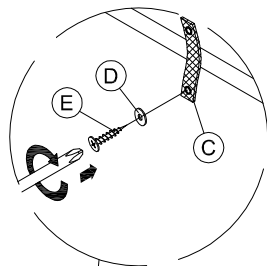
1. Touch the switch sensor to switch on the LED light.
2. Again press and hold the touch switch to increase or decrease the brightness. (Note: continue to press the touch switch to increase brightness, release and continue to press the touch switch to decrease the brightness).
3. The LED light will automatically set the memory to the last setting.



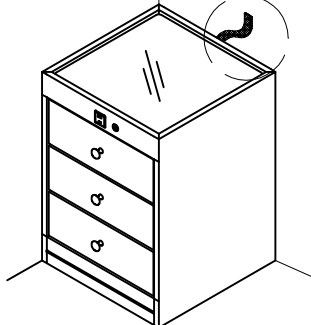
TOUCH SWITCH SENSOR



Step 5



WALL



WARNING:

To prevent your furniture from tilting forward and possibly causing property damage or personal injury it is recommended that you **Securely attach the safety strap provided to your wall using appropriate fixings**

IMPORTANT:

- **DO NOT** place toys or other child appealing items on top of this furniture
- **AVOID** fully opening all drawers at the same time
- **DO NOT ALLOW** Small children to climb onto Drawers, shelves or to swing from open doors

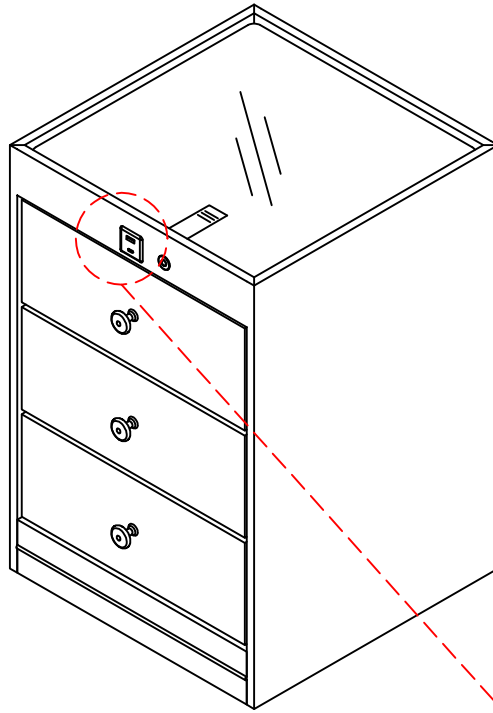
CAUTION:

For your safety when attaching the anti-tilt fixings;

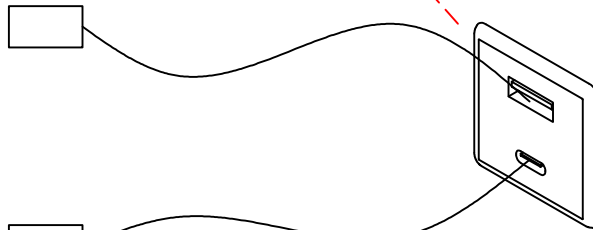
- Check for any electrical wires or plumbing inside the wall before drilling any holes (if you are unsure please seek professional advice from a qualified tradesman)
- Walls are constructed from different materials eg: Masonry (solid brick) or plaster board lined cavity walls (hollow).

It is important that you use the appropriate wall fixings for your wall type.

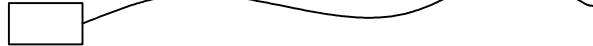
(Your local hardware store will have the necessary drills and fixings and can offer advice if needed)



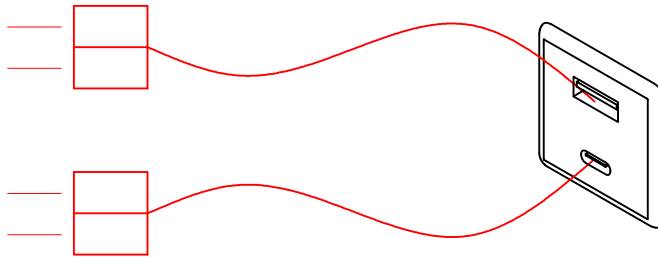
18 Watt Output



18 Watt Output



Power Bank
Laptop



Power Bank
Laptop

Precaution:- Do Not Insert more than ONE gadget or high power device into USB connector to prevent overloading.

- 1. Please monitor the device under charge, if the device does get hot stop using charger immediately.**
- 2. Ensure that device being charged are free of moisture and the charging cable is in good condition.**
- 3. Please refer to respective device user manual to seek the suitability of charging method.**

TROUBLE SHOOTING

- The USB socket does not charge a USB device.

Questions	Answer	Corrections
Is there a 'Blue circular power LED light' illuminated at the USB charge socket, when a device is connected to it?	Yes -----	<ul style="list-style-type: none"> * If the blue LED light is illuminated- this means the USB charge socket is functional and distributing power up to 1amps at 5 volts. * Please try an alternative device and charge cable.
	No -----	<ul style="list-style-type: none"> * Please check/ ensure 1. The power adaptor plug (F) is firmly connected to a working 'switched on' mains 240v power supply. (See page 2 for detail) 2. The connector of the USB charger is firmly connected to the 3 way socket. (See page 2 for detail) 3. The USB power cable is working & the device is able to take a charge (test cable and device in an alternative charge point) * All steps have been followed and the issue still remains, please contact (01462600064) with purchase information.
LED light no function?	No -----	<ul style="list-style-type: none"> * Please check/ ensure 1. The power adaptor plug (F) is firmly connected to a working 'switched on' mains 240v power supply. (See page 2 for detail) 2. The connector of the LED light is firmly connected to the 3 way socket. (See page 2 for detail) * All steps have been followed and the issue still remains, please contact (01462600064) with purchase information.

SPECIFICATION

MODEL	POWER ADAPTOR - 6WAY SOCKET - UK PLUG
INPUT	90~240V AC50/60Hz
OUTPUT	12V DC MAX 24W

MODEL	DOUBLE USB TYPE C CHARGER
INPUT	12V DC
OUTPUT	USB-A 5VDC3.6A,9VDC2.5A,12VDC2A - USB-C 5VDC3A,9VDC3A,12VDC2.25A

MODEL	MINI TOUCH SWITCH
INPUT	12V DC
OUTPUT	12V DC : MAX 1A

MODEL	LED LIGHT
INPUT	12V DC

ATTENTION! PLEASE NOTE:

In the event you are experiencing any technical difficulties and you require additional assistance/ support with your product 'Mechanical/ Electrical' function - Please contact:

SUPPORT EMAIL: support@bssbfurnitureinnovation.com

UK PRODUCT SUPPORT HOTLINE : 01462600064

Contact your retailer for all other issues such as damage, missing or faulty components (non electrical) or anything else of a non technical/electrical nature.