

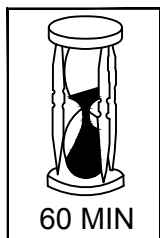
Minimum Two
Persons Assembly



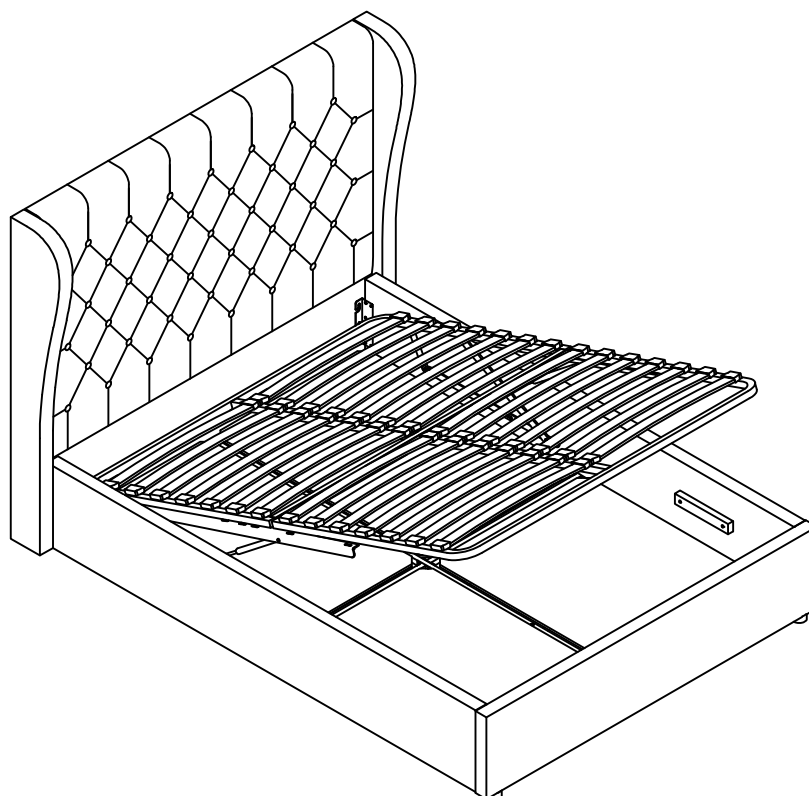
ORIANNA Ottoman Bedframe 135cm

STK770501/STK770505/STK770507

Assembly Instructions
Please keep these instructions for future reference.



Approximate
Assembly Time



Regrettably self-assembly items cannot be returned once assembly is part or fully completed unless the items are found to be faulty. Should you need to return the unassembled product, please repack in its original packaging.

Important information

- We suggest you spend a short time reading through this leaflet and then follow the simple step-by-step instructions.
- Carefully check that you have all the parts before beginning assembly.
- Keep fittings out of children's reach and keep children well away from construction area.
- We suggest you retain these instructions for future reference.
- In the unusual event of an issue with your product would you please quote the batch I.D. number situated on the main parts of the frame (Head End- Foot End- side Rails).

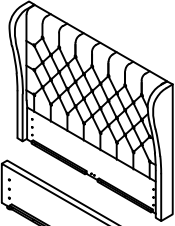
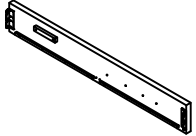
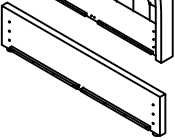
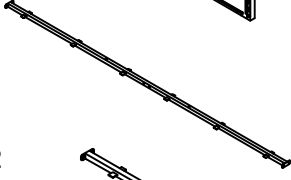
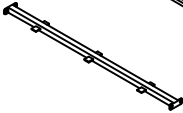
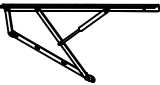
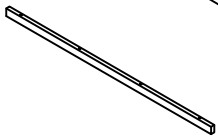

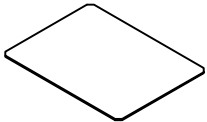
Product information

- Upholstered Bed Using Fabric Material. Conforms to BS EN1725 & BS 5852

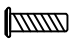
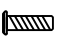









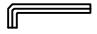



Care instructions

- Avoid exposing the furniture to excessive heat or direct sunlight as this can cause cracking and deterioration of the color.
- Periodically check & re-tighten any fastener.
- Periodically dust lightly with a clean soft cloth.
- Do not use silicone based furniture polish.
- Any spills should be removed immediately with a damp cloth.
- TAKE CARE WHEN MOVING THE FURNITURE AND NEVER DRAG THE PIECES ACROSS THE FLOOR, AS THIS WILL CAUSE DAMAGE TO THE JOINTS

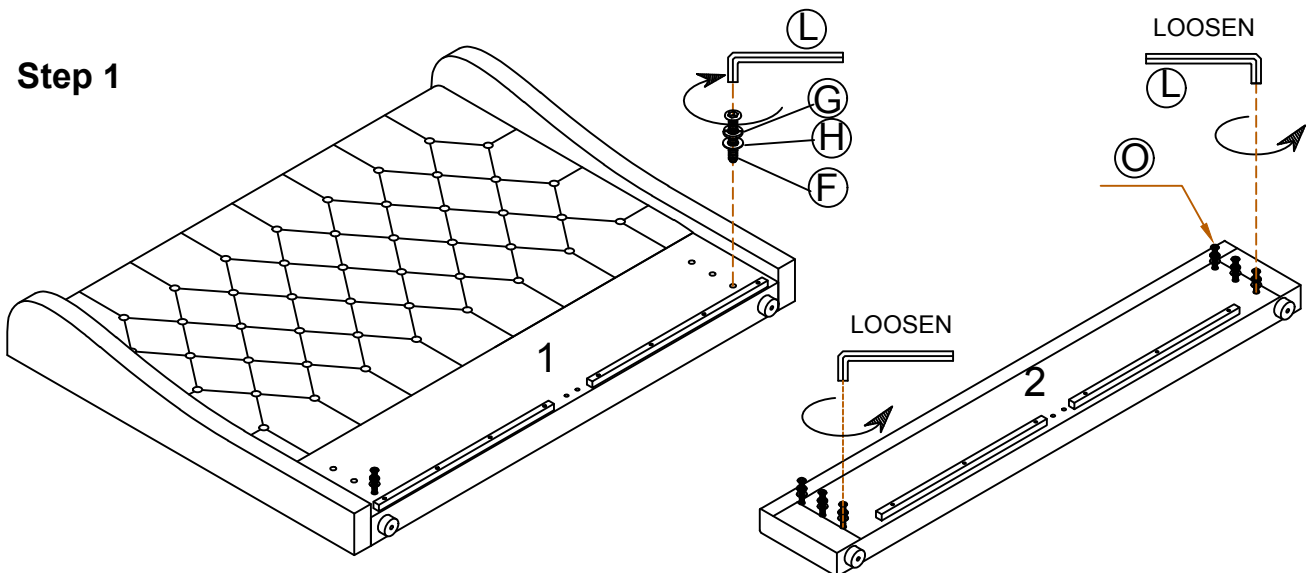
Double: 135cm×190cm

Component of Carton A		Component of Carton B	
(1) Head Board×1		(3) Side Rail (R&L)×2	
(2) Foot Board×1		(4) Shelf rail / long×1	
Component of Carton C		(5) Shelf rail / short×2	
(7) Lifting arms (R&L)×2		(6) Support Rail ×1	
(8) Bed Base×1		Component of Carton D	
		(9) Shelf×4	

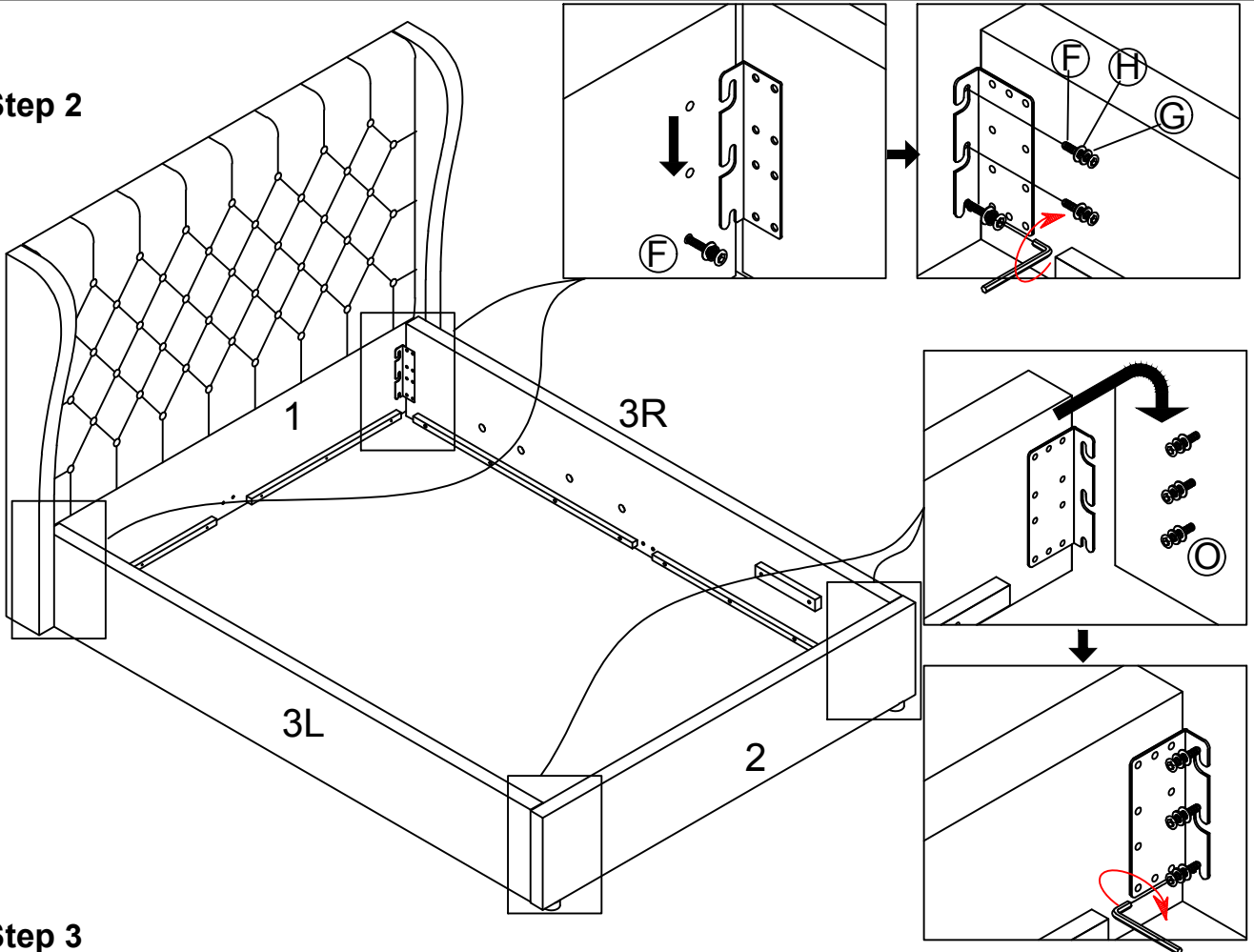
Hardware List

(A) M8×20 Bolt ×10 	(B) ¼"×3/4" Bolt ×2 	(C) ¼" Jcn Nut ×2 	(D) M6×55 Bolt ×4 
(E) M8×30 Bolt ×8 	(F) M8×40 Bolt ×6 	(G) Ø8 Spring Washer ×6 	(H) Ø8 Flat Washer ×6 
(I) Locknut ×2 	(J) Adjuster Bolt ×2 	(K) 4MM Allen key ×2 	(L) 5MM Allen key ×1 
(M) Spanner ×1 	(N) ¼"×1" Bolt ×8 	(O) M8×40 Bolt ×6 (pre-installed on frame) 	

Step 1

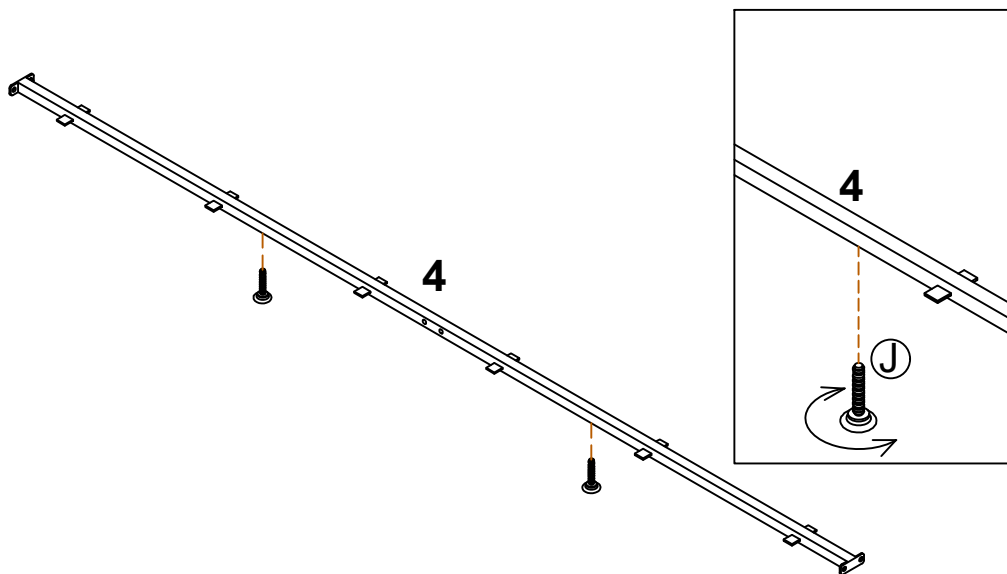


Step 2

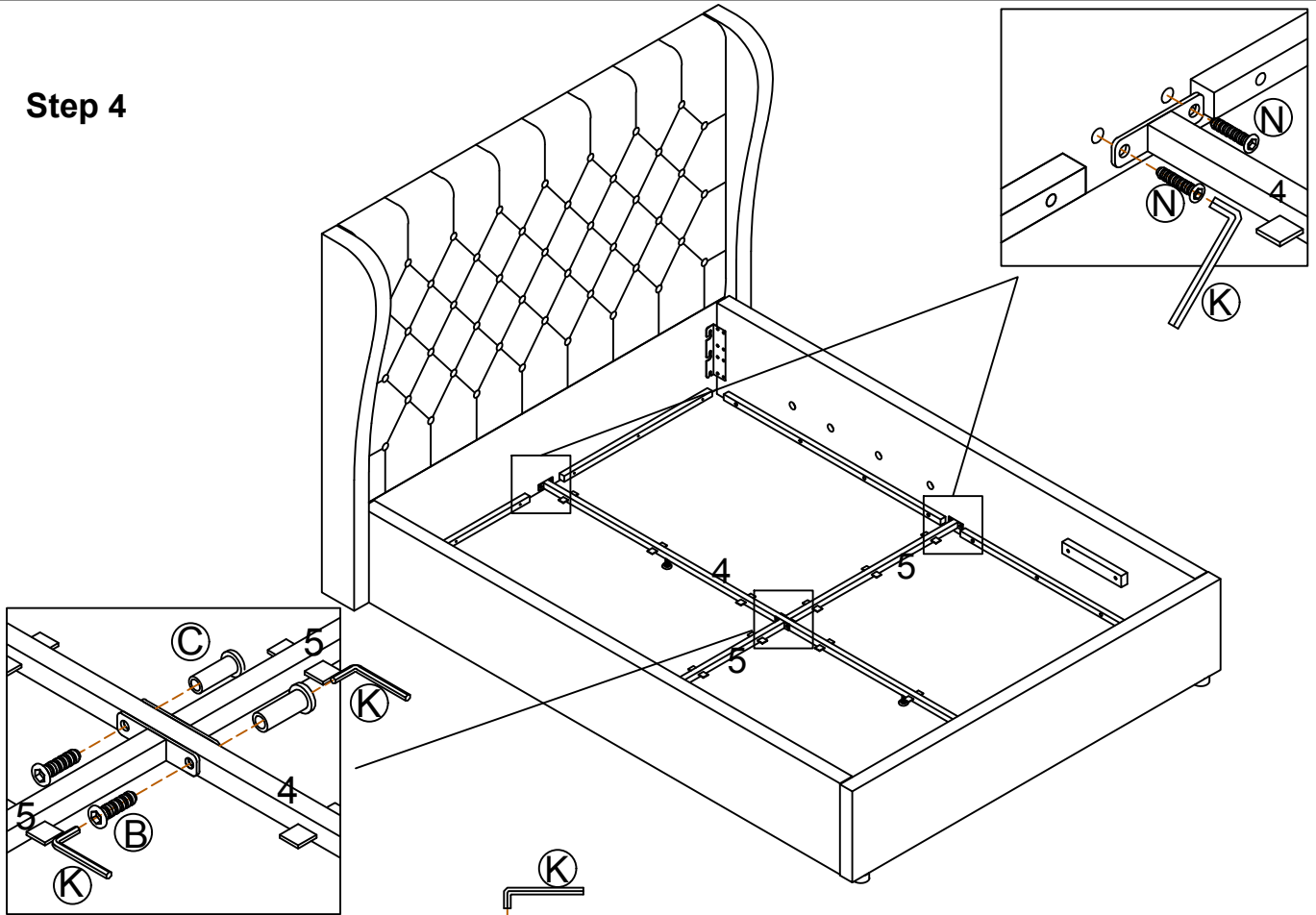


Step 3

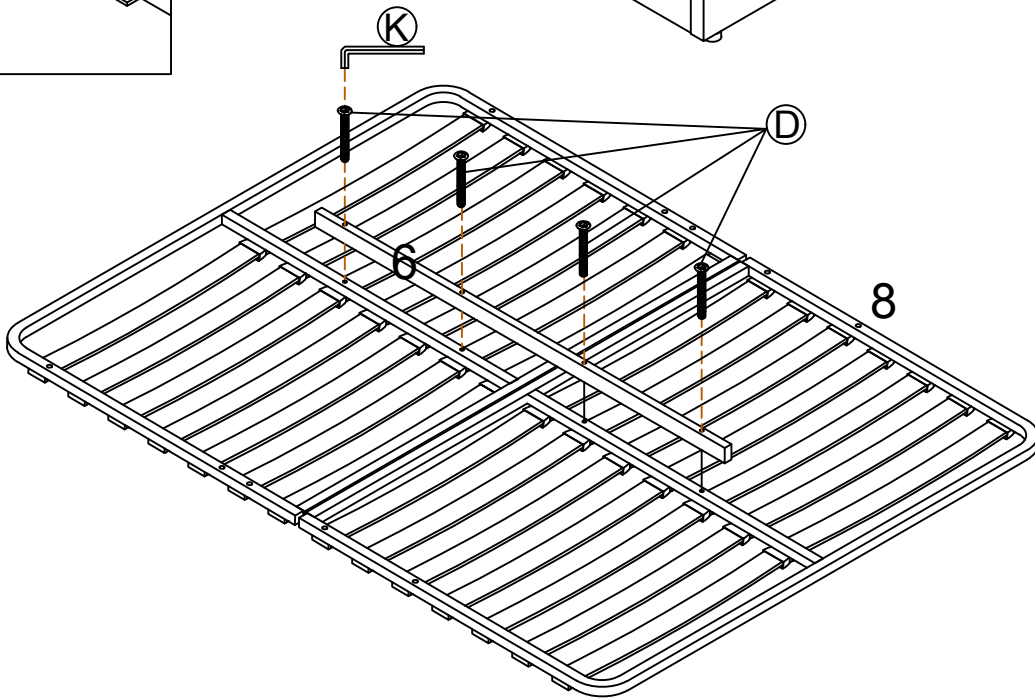
Do not tighten Bolt F & O fully until the bolts for Part 4 & Part 5 in Step 4 are inserted and connected to bed frame.



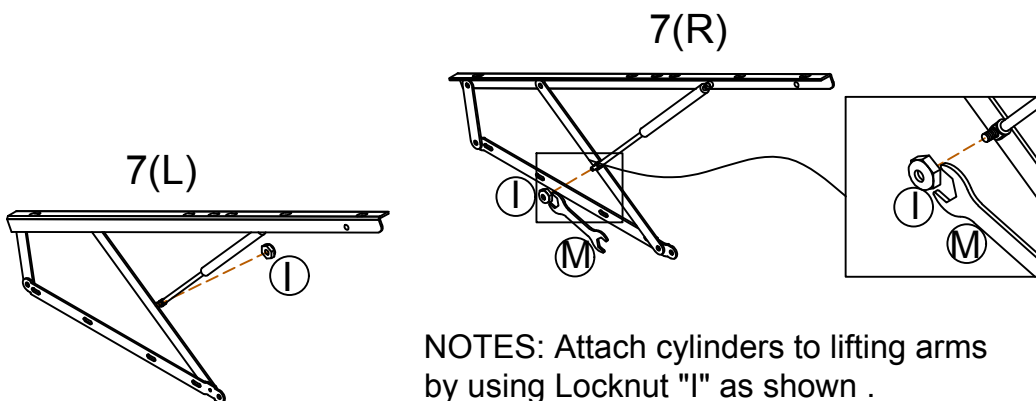
Step 4



Step 5

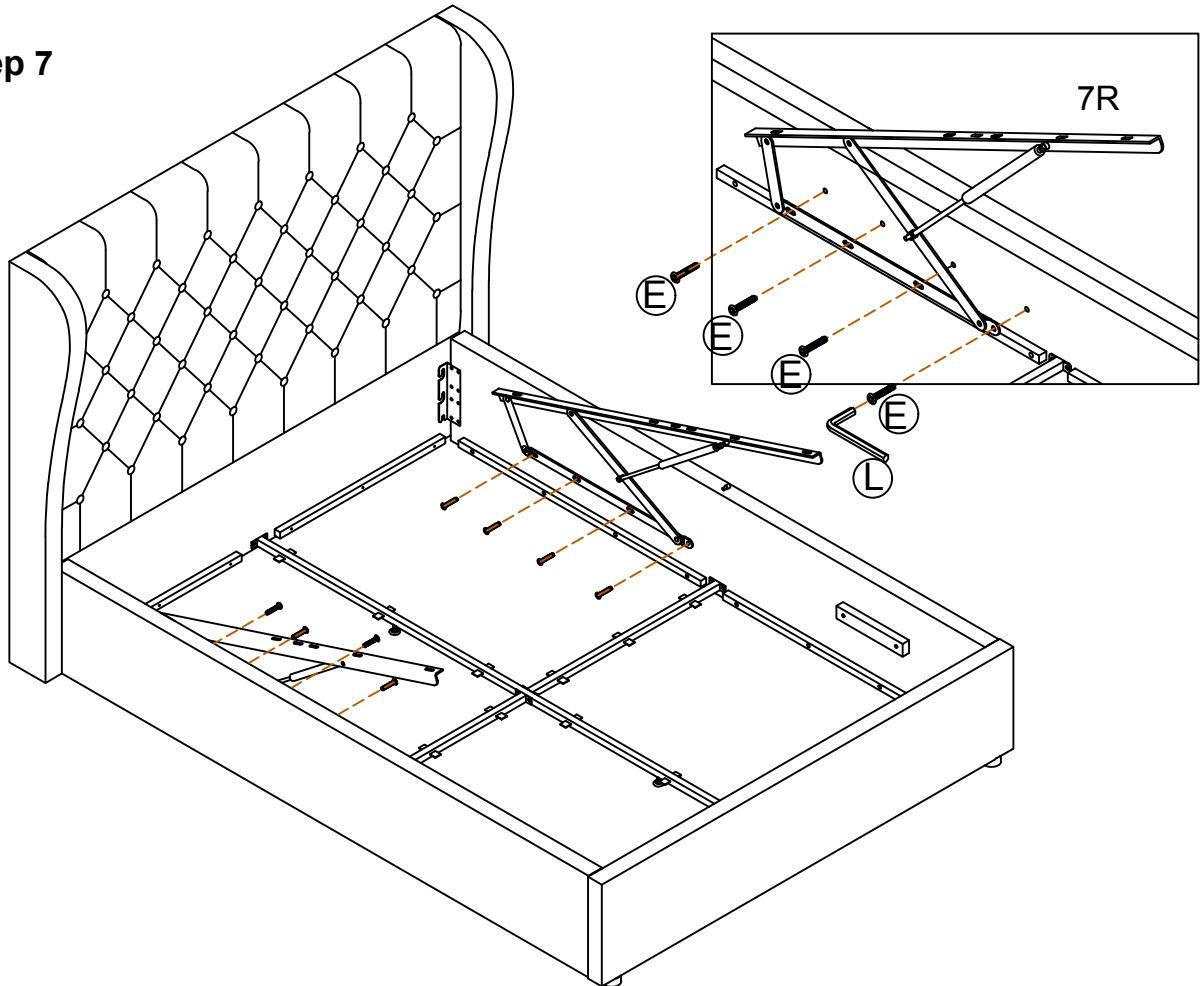


Step 6

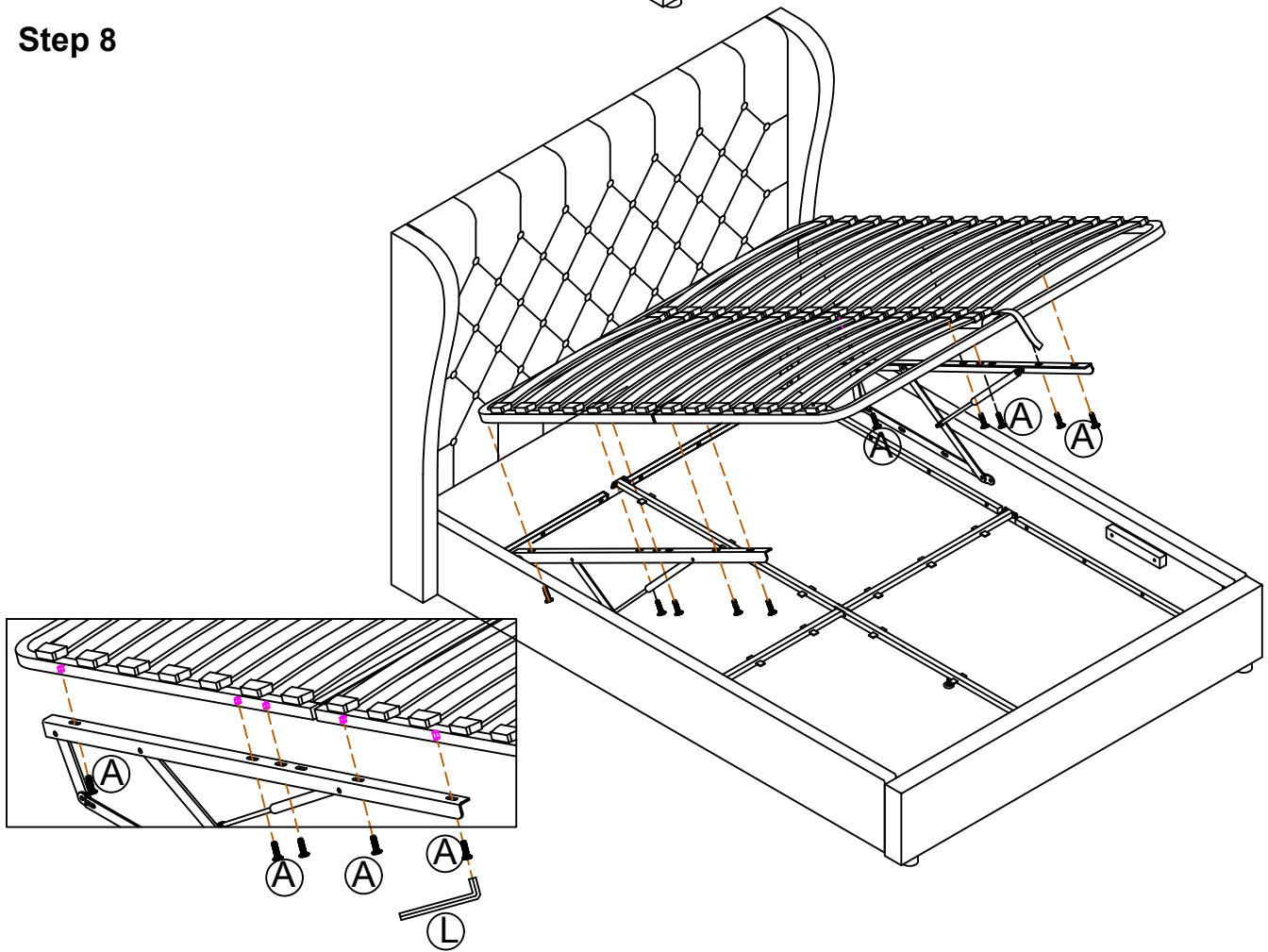


NOTES: Attach cylinders to lifting arms by using Locknut "I" as shown .

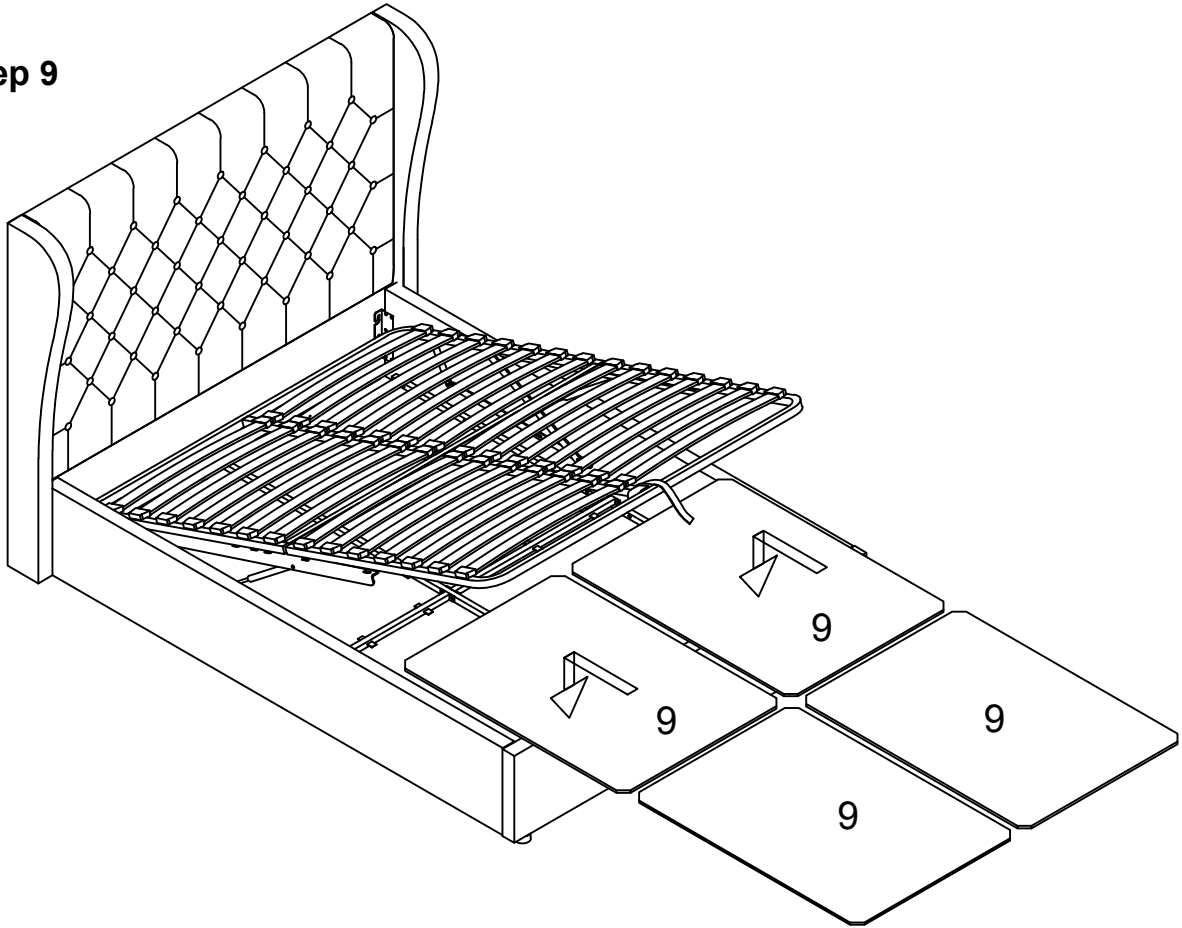
Step 7



Step 8



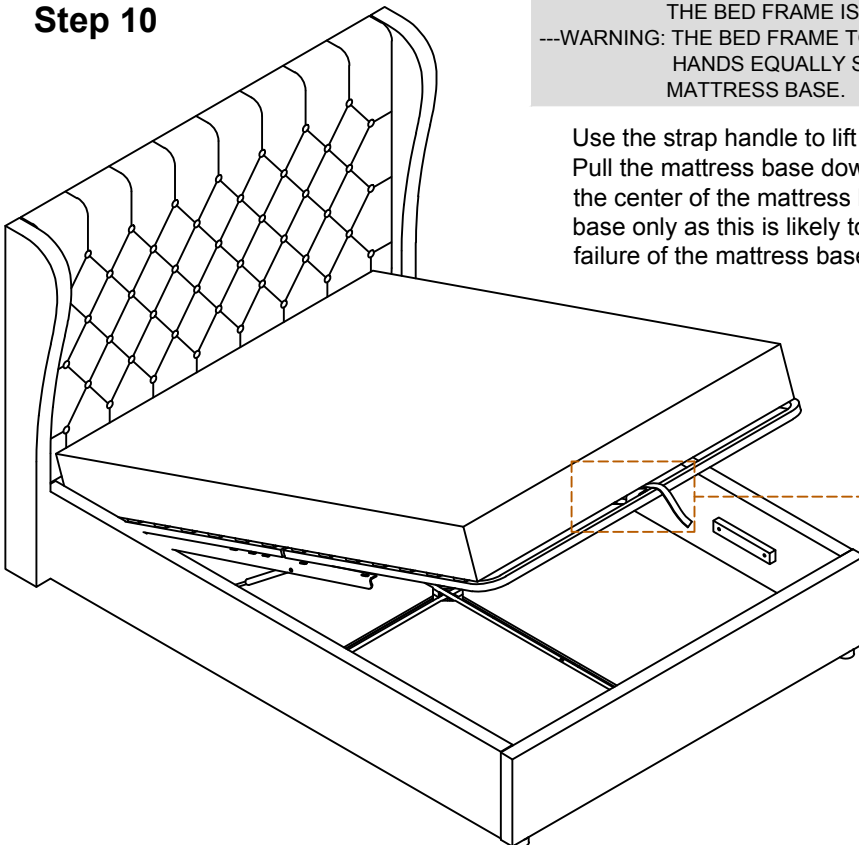
Step 9



"IMPORTANT NOTICE"

- WARNING: PLEASE DO NOT ALLOW CHILDREN OR PETS INSIDE THE STORAGE AREA.
- WARNING: PLEASE BE CAREFUL WHEN LIFTING. ONLY LIFT WITH MATTRESS ON TOP. TO BE OPERATED BY ADULTS ONLY.
- WARNING: PLEASE DO NOT PRESS DOWN ON THE MATTRESS WHEN THE BED FRAME IS IN THE LIFT UP POSITION.
- WARNING: THE BED FRAME TOP MUST ONLY BE CLOSED BY USING TWO HANDS EQUALLY SPACED FROM THE CENTER OF THE MATTRESS BASE.

Step 10



Use the strap handle to lift up the mattress base using two hands. Pull the mattress base down using two hands equally spaced from the center of the mattress base. DO NOT pull down on one side of base only as this is likely to damage the base system with potential failure of the mattress base system and lift mechanism.

