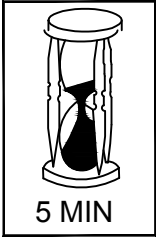


Minimum Two
Persons Assembly

bensons
for beds

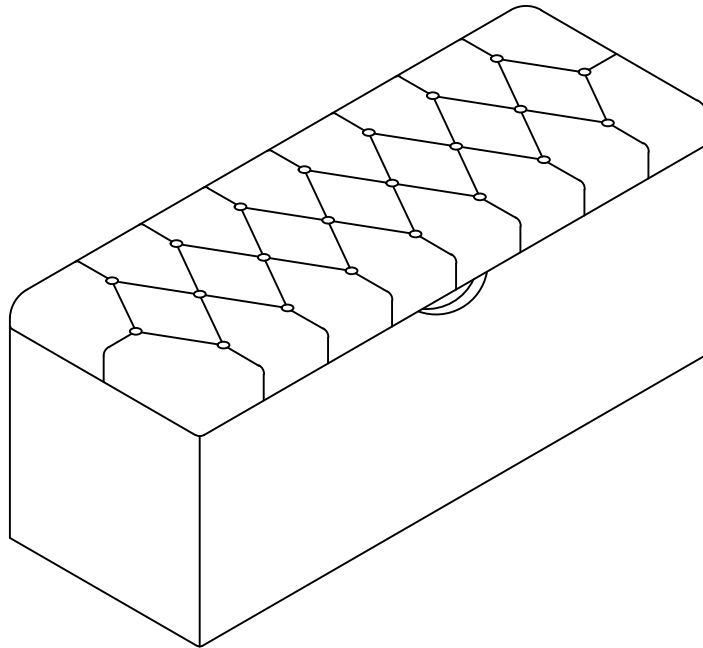
120cm PENELOPE OTTOMAN BLANKET BOX
STK770625/STK770626/STK770627/STK770628/STK770629/STK770630

Assembly Instructions
Please keep these instructions for future reference.



5 MIN

Approximate
Assembly Time



Regrettably self-assembly items cannot be returned once assembly is part or fully completed unless the items are found to be faulty. Should you need to return the unassembled product, please repack in its original packaging.

Important information

- We suggest you spend a short time reading through this leaflet and then follow the simple step-by-step instructions.
- Carefully check that you have all the parts before beginning assembly.
- Keep fittings out of children's reach and keep children well away from construction area.
- We suggest you retain these instructions for future reference.
- In the unusual event of an issue with your product would you please quote the batch I.D. number situated on the main parts of the frame.

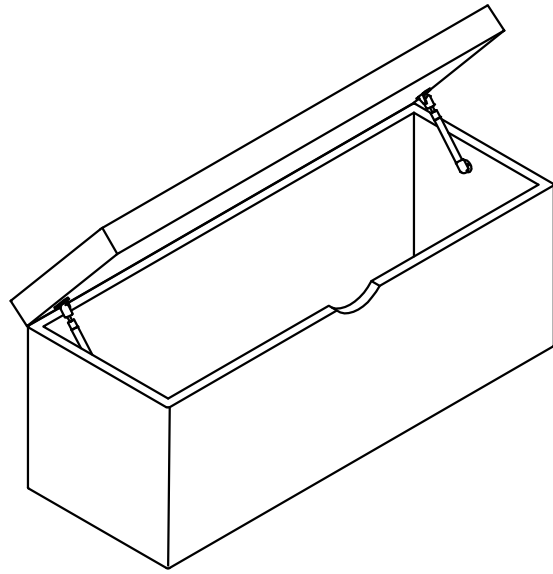
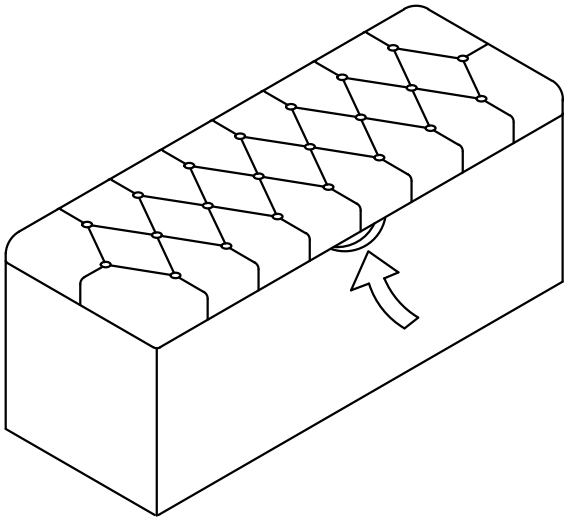
Product information

- Upholstered Ottoman Blanket Box Using Fabric Material.
- Conforms to BS EN12520 & BS 5852 standard.

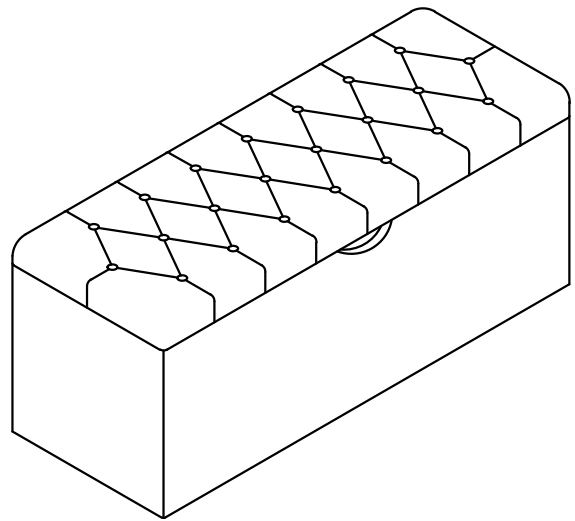
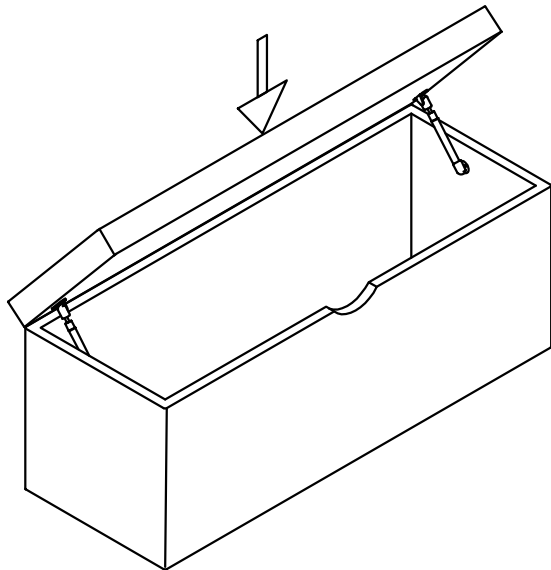
Care instructions

- Avoid exposing the furniture to excessive heat or direct sunlight as this can cause cracking and deterioration of the color.
- Periodically check & re-tighten any fastener.
- Periodically dust lightly with a clean soft cloth.
- Do not use silicone based furniture polish.
- Any spills should be removed immediately with a damp cloth.
- TAKE CARE WHEN MOVING THE FURNITURE AND NEVER DRAG THE PIECES ACROSS THE FLOOR, AS THIS WILL CAUSE DAMAGE TO THE JOINTS

Open



Close



Do Not force the Mechanism To Open Or Close.
Allow The Mechanism To Open Or Close At Its Own Speed.