

P.O.Number :
Please Keep This Number For
Future Reference
**THIS FORMS PARTS OF
YOUR GUARANTEE!!**

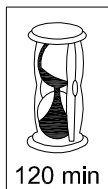


RHEA TV BEDFRAME 120 / 135 / 150 / 180 cm
STK785901 / STK785903 / STK785905 / STK785907

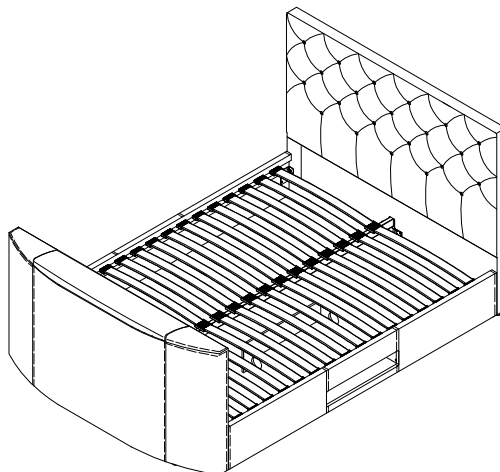
Assembly Instructions

Please keep these instructions for future reference.

**MINIMUM TWO
PERSON ASSEMBLY**



**APPROXIMATE
ASSEMBLY TIME**



Regrettably self-assembly items cannot be returned once assembly is part or fully completed unless the items are found to be faulty. Should you need to return the unassembled product, please repack in its original packaging.

Important Information

- We suggest you spend a short time reading through this leaflet and then follow the simple step-by-step instructions.
- Carefully check that you have all the parts before beginning assembly.
- Keep fittings out of children's reach and keep children well away from construction area.
- We suggest you retain these instructions for future reference.

Product Information

- TV bed.
- Upholstered fabric conforms to BS EN 1725 & fillings conform to BS 5852.
- TV Lift system has a maximum load capacity of 80lbs (37kg)
- Compatible with slimline LED televisions with a screen size of 20" to 43".
- Maximum T.V dimensions D85mm x W980mm x H580mm (WITHOUT STAND)

Care Instructions

- Avoid exposing the furniture to excessive heat or direct sunlight as this can cause cracking or deterioration of the color.
- Periodically check & re-tighten any fastener.
- Periodically dust lightly with a clean soft cloth. We recommend hoovering to remove dust.
- Any spills should be removed immediately with a soft damp cloth.
- **TAKE CARE WHEN MOVING THE FURNITURE AND NEVER DRAG THE PIECES ACROSS THE FLOOR, AS THIS WILL CAUSE DAMAGE TO THE JOINTS.**

Whereas every effort has been made to allow this product to utilise the maximum number of TV's available it is not possible to accommodate every product in an ever changing market. It is the responsibility of the customer to ensure suitability of the TV to the TV bed before attempting operation. It is the customers responsibility to ensure all wiring is correctly placed in accordance with both the TV and TV bed manufacturer.

Bensons for Beds will not be held responsible for any damage caused to the TV, TV Cabling or TV bed due to incompatibility of equipment used.

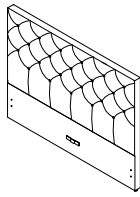


Comforms To : LIFT_Controller unit Linear actuator(LVD + EMC):

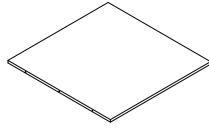
(EMC)	-EN 55014-1:2017/A11:2020; EN 55014-2:2015; EN 61000-3-2:2014;
	EN IEC 61000-3-2:2019; EN 61000-3-3-2013; EN 61000-3-3:2013/A1:2019;
(LVD)	-EN 60335-1:2012/A2:2019; EN 62233:2008;

Components of Carton 1

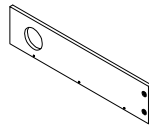
(A) Headboard x 1



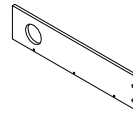
(B) Media
Compartment
Base Panel x 1



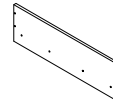
(C) Media
Compartment Side
Panel (Left) x 1



(D) Media
Compartment Side
Panel (Right) x 1



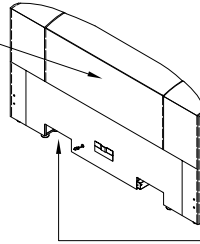
(E) Media
Compartment
Rear Panel x 1



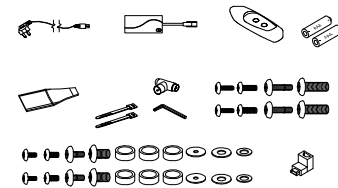
Component of Carton 2

(F) Footboard x 1

TV Mechanism
pre-fixed in the foot end

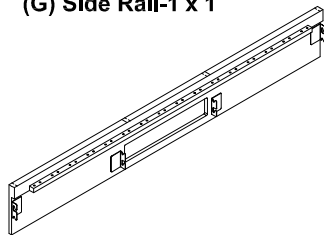


Hardware Box

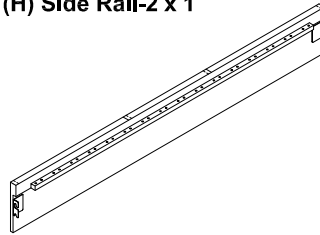


Components of Carton 3

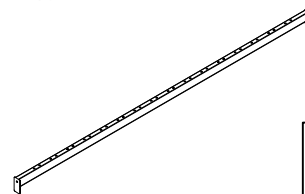
(G) Side Rail-1 x 1



(H) Side Rail-2 x 1



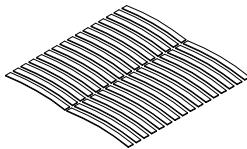
(I) Centre Rail x 1



Hardware
Bag

Components of Carton 4

(J) Slat
x 30 (4FT & Double)
x 32 (Queen & King)

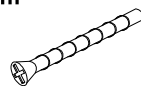


Hardware List (in Carton 1)

(K) M8 x 25mm
x 4 (Pre-Installed)



(L) M5 x 35mm
x 14



(M) M8 x 16mm
x 4



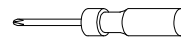
Hardware List (in Carton 2)

(K) M8 x 25mm
x 4 (Pre-Installed)



Hardware List (in Carton 3)

(N) Screw Driver
x 1

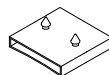


Hardware List (in Carton 4)

(O) End Cap
x 30 or 32



(P) Middle Cap
x 15 or 16



Tips before you start!

1. Please check that all parts are present before you start the assembly of your furniture.
2. For ease and speed of assembly, we recommend that before you commence each step of the assembly, that you identify all the parts required for that step.
3. For larger items, please ensure that you have sufficient space and people (as indicated on page 1) to assemble your product safely. (Minimum Two Persons)
4. We recommend where possible, all items are assembled near to the area where they will be placed in use, to avoid moving the product unnecessarily once assembled.
5. Please ensure that your bed is placed on a level floor area. (Avoid setting up and installing your bed on uneven floor surface.
6. For the protection of your furniture, we recommend that the product is placed on a protected surface during assembly to prevent any damage.
7. During assembly please take care not to over-tighten any fittings, as this may damage the product.
8. Please ensure the TV bed is assembled as close as possible to the power supply source.

Care and Maintenance of your Furniture

- Please periodically check all fittings and re-tighten as necessary.
- To clean your item, please use a soft damp cloth and wipe clean.
- Please do not jump on your furniture.
- Never allow any kind of liquid to remain on your furniture. This can cause finishes to de-laminate. Take care when spraying Perfume and deodorants etc as the vapour can settle on the fabric surface and cause damage.
- Periodically check the condition of your bed slats and plastic locating caps to ensure they are in good condition and have not become loose.
- It is important to Never Drag your bed as this can cause damage to the joints and the fixings. This may invalidate your guarantee.
- The bed should always be lifted into position or if moved for cleaning.

ATTENTION! PLEASE NOTE:

In the event you are experiencing any technical difficulties and you require additional assistance/ support with your product 'Mechanical/ Electrical' function - Please visit:

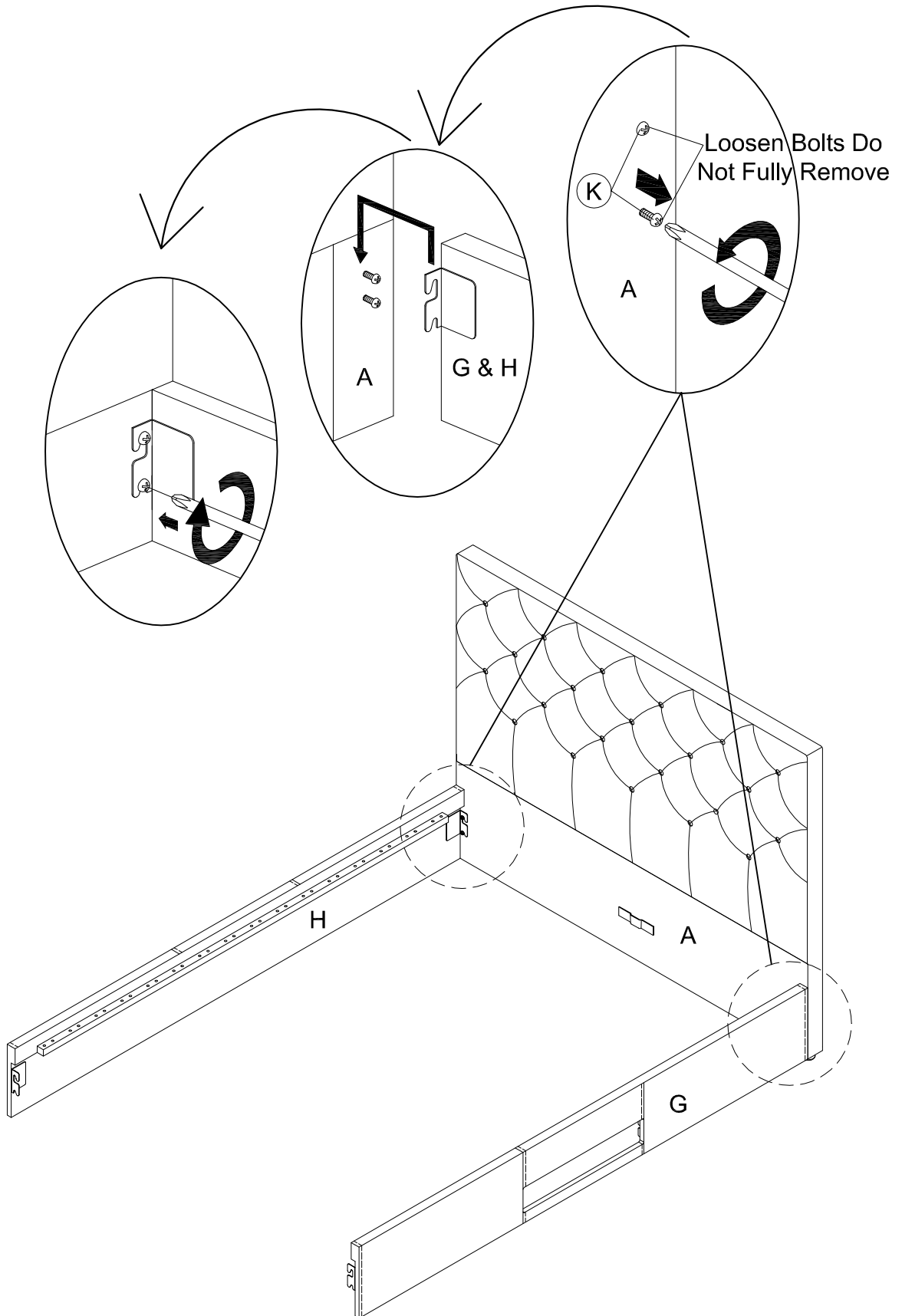
SUPPORT EMAIL: support@bssbfurnitureinnovation.com

UK PRODUCT SUPPORT HOTLINE : 01462600064

Contact your retailer for all other issues such as damage, missing or faulty components (non electrical) or anything else of a non technical/electrical nature.

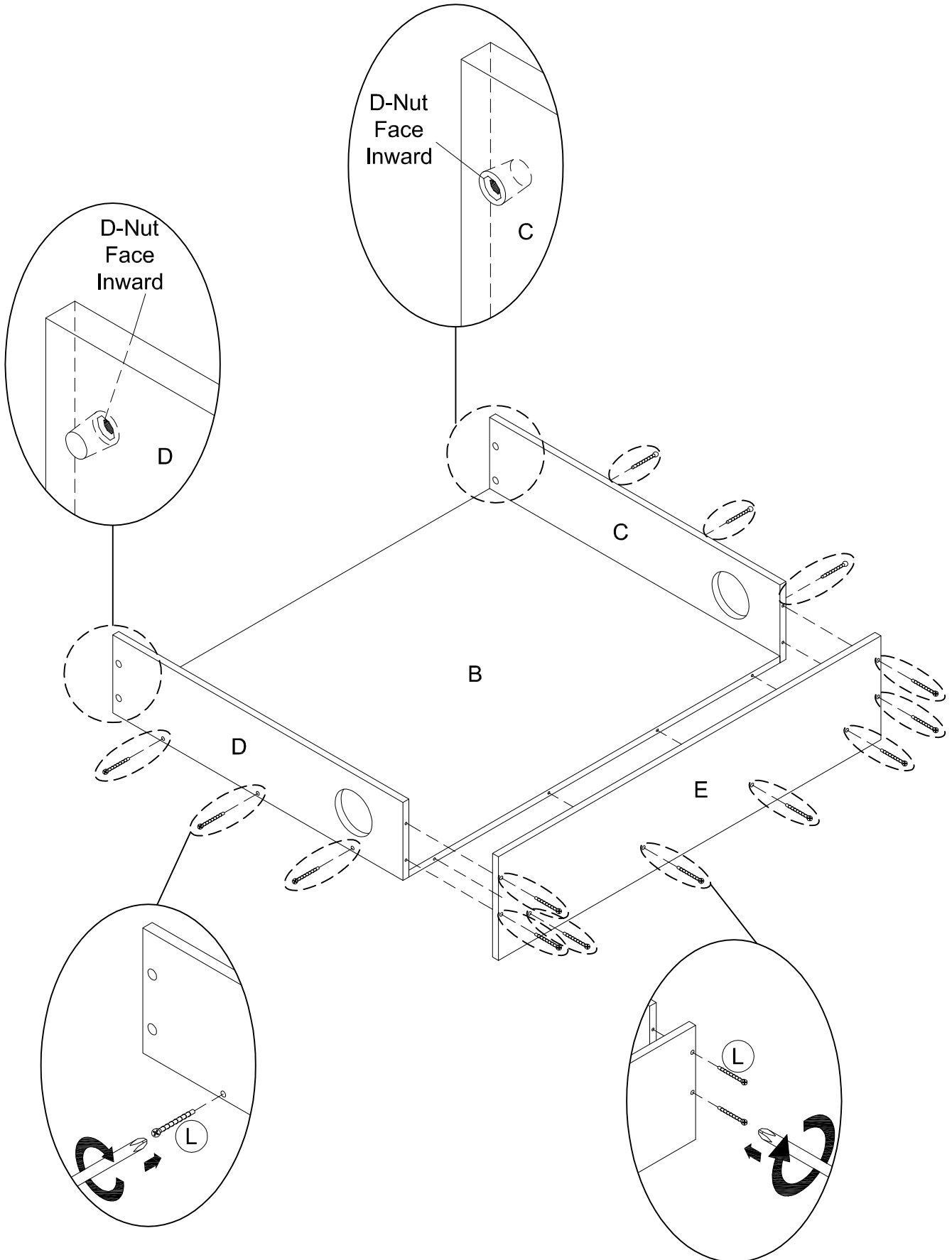
Step 1

- Before assembly please decide which side you require the " Media Compartment " Part 'G' side rail with opening will need to be placed at that side.
- Loosen the bolts located in the head end. (Note: only loosen the bolts Do NOT remove them.)
- Hook the side rail over the bolts as shown.
- Repeat the action on the opposite side.



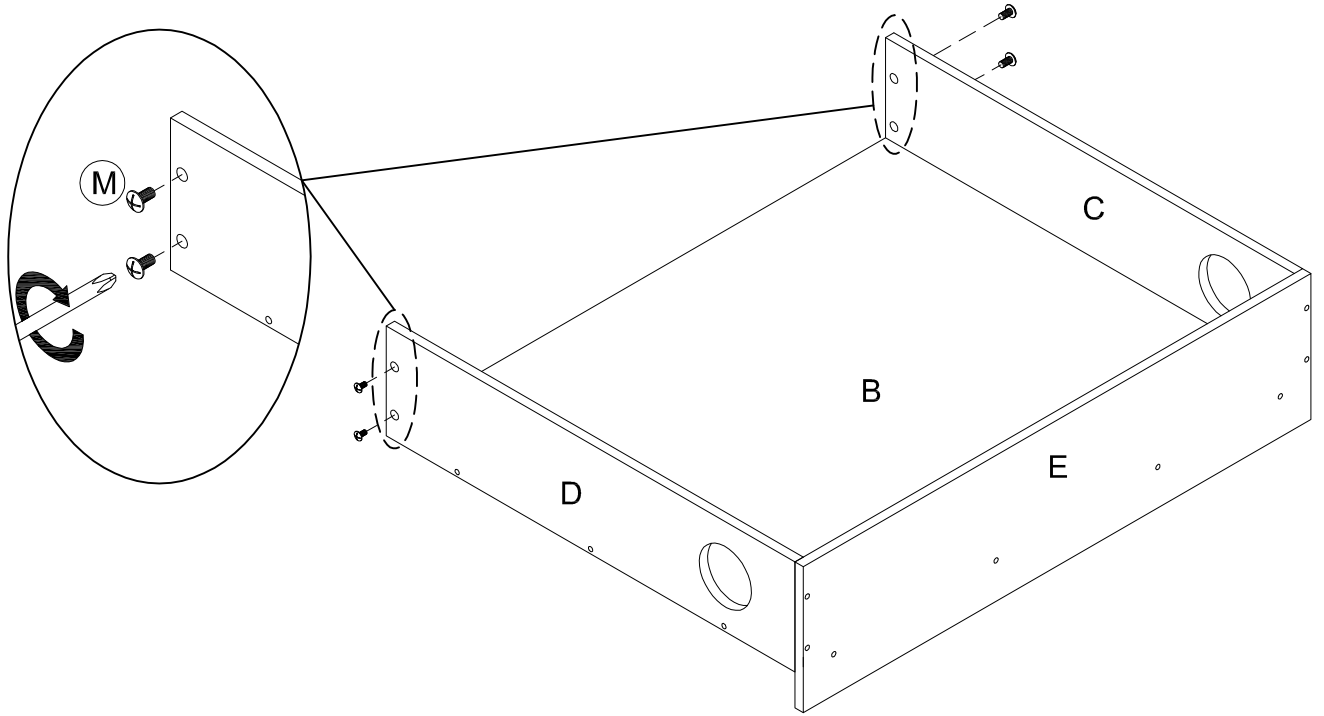
Step 2

- Attach "Media Compartment" side and back panels to "Media Compartment" base panel as shown.



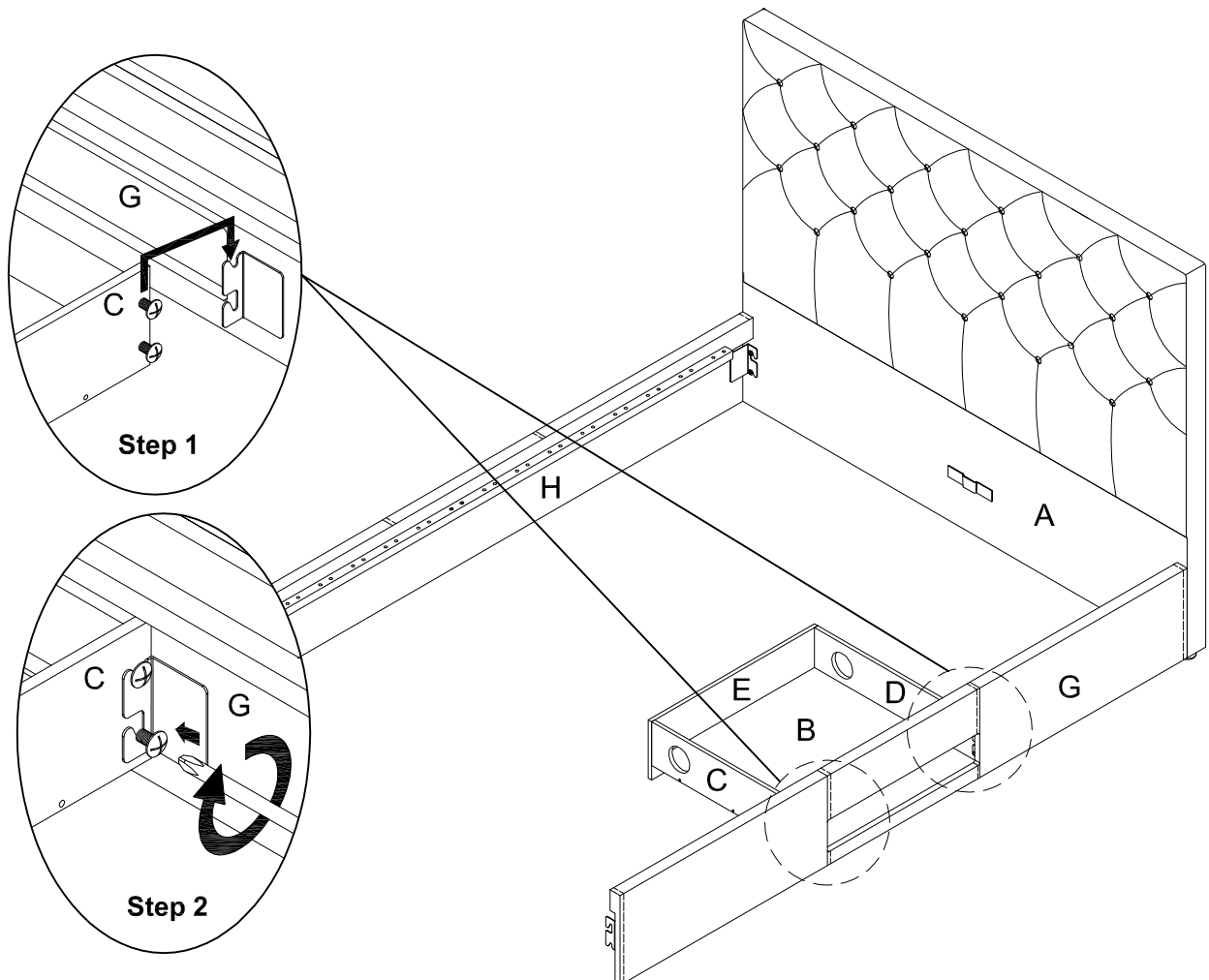
Step 3

- Attach the bolts (M) to the outside of "Media Compartment" side panels as shown.



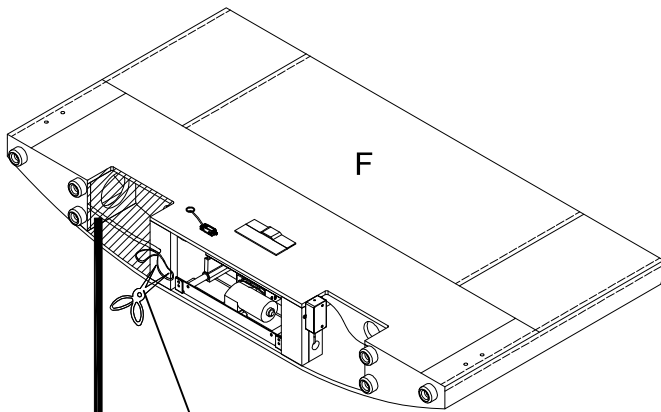
Step 4

- Attach the "Media Compartment" to the side rail and fully tighten bolts (M) as shown.



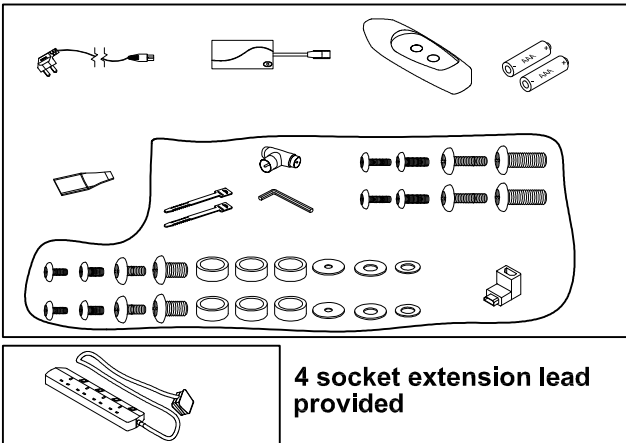
Step 5

- Carefully remove the footboard from carton 2, remove the Hardware Box and all extra transportation packaging from inside.
- To do this you will need to gently lay the foot end on it's back. Before doing so please ensure the area is completely free of anything that may cause damage or press into the fabric. Place a protective cover on the floor to avoid possible damage.
- The controls and hardware are held in place by string please carefully cut these and remove.

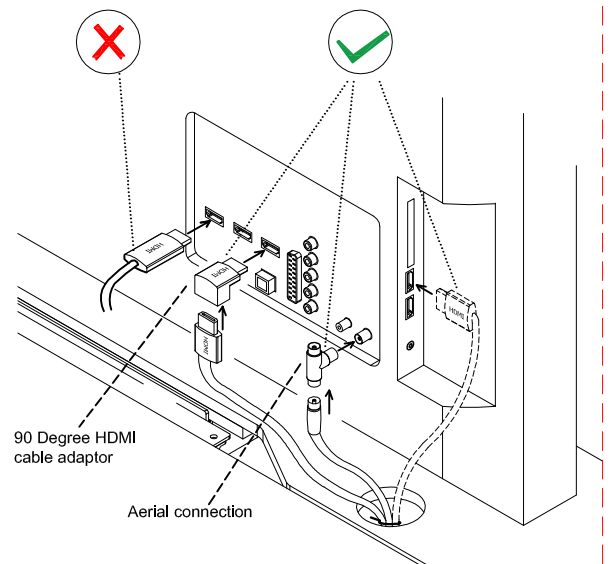


CAUTION:
PLEASE USE SCISSORS TO CUT THE STRING.
TAKE CARE WHEN REMOVING THE ACCESSORY BOXES NOT TO CATCH YOUR HANDS ON THE SIDES.

Hardware Box



YOUR TELEVISION REAR VIEW
HDMI CABLE PLUG POSITION POSSIBLE SCENARIO'S



Attention Please Note : Connecting Your HDMI or Aerial Cable as shown in diagram (X) can seriously Damage Your TV sockets.

To reduce this possibility we have supplied 90 degree adaptors for both HDMI and Aerial connections.



This will reduce the cable protrusion and lessen the possibility of the cable colliding with the bed frame. **These can be found in the bed frame hardware pack located in Box B (foot end).** Please refer to the diagram above for the correct fitting of cables. More detailed information can also be found on page 15 (step 15) of your assembly instructions.

The manufacturer or retailer will not accept responsibility for any damages arising from incorrect installation.

ATTENTION! PLEASE NOTE:

In the event you are experiencing any technical difficulties and you require additional assistance/ support with your product 'Mechanical/ Electrical' function - Please visit:

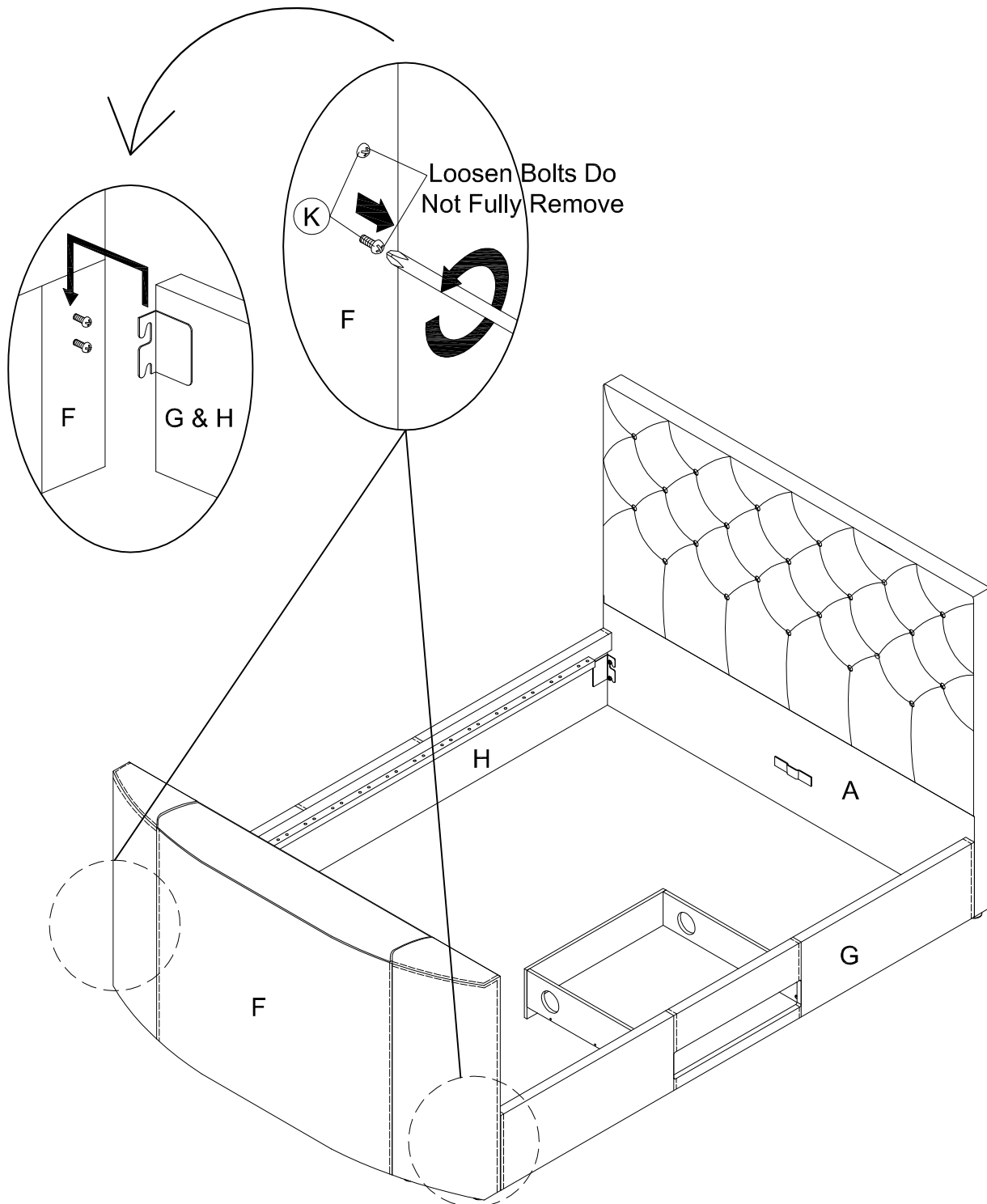
SUPPORT EMAIL: support@bssbfurnitureinnovation.com

UK PRODUCT SUPPORT HOTLINE : 01462600064

Contact your retailer for all other issues such as damage, missing or faulty components (non electrical) or anything else of a non technical/electrical nature.

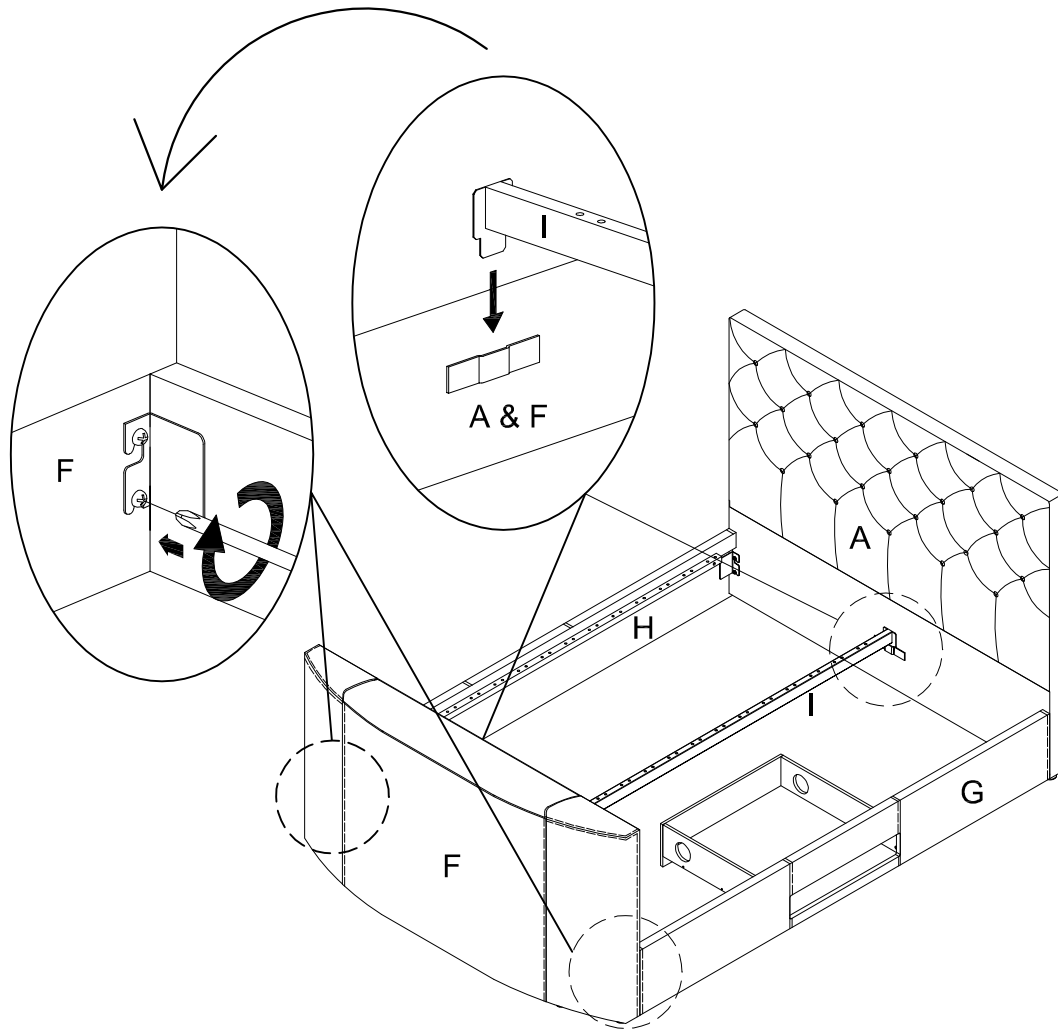
Step 6

- Carefully lift the foot end back to it's upright position.
- Loosen the bolts located in the foot end.
- Please note these should only be loosened and **NOT** removed.
- Hook the side rail brackets over the bolts on both sides.



Step 7

- Carefully slot the centre rail into the brackets on the head and foot end. Be very careful not to catch the head and foot ends with the centre rail tongue.
- Fully tighten all screws on the head and foot ends.



Step 8

- Installing Batteries in the Wireless Remote Control.

Battery:

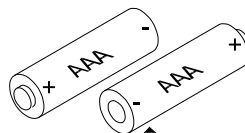
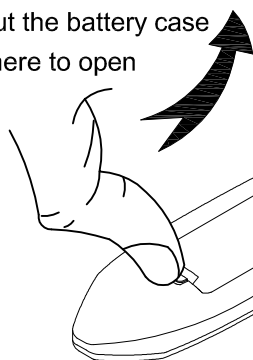
Size: AAA - Ø10.5 X T44.5mm

Spec.: 1.5V

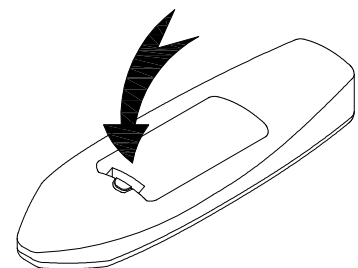
(AAA) Batteries x 2pcs (provided) install to battery case.

Caution: May explode or leak if recharged, inserted improperly, mixed with different battery types. Do not open battery. Dispose of used batteries promptly. Keep away from children.

Pull out the battery case from here to open



Close the battery cover and press it down until it clicks into place.



Step 9

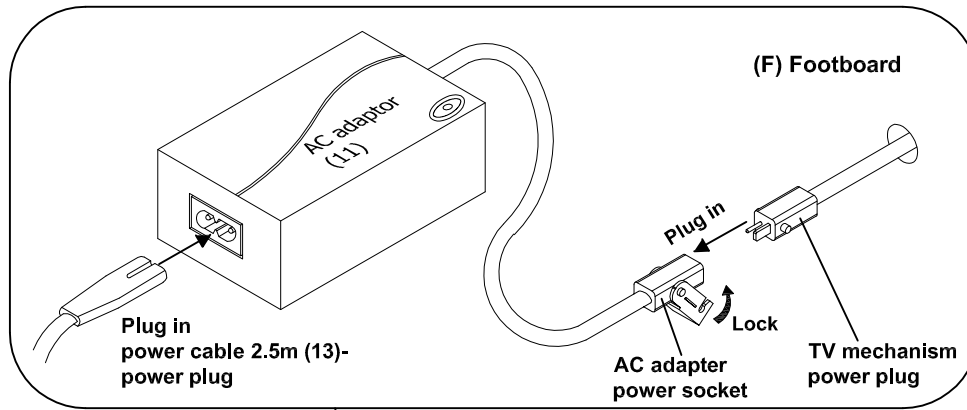
- Connecting the TV mechanism cable as shown. It is essential that connecting to the power supply is done in this order. Failure to do so will result in damage to your product.

Step 9-1 Connect the Power Cable (13) to the AC adaptor (11), then plug the AC adapter power socket into the TV mechanism power plug, which is pre-installed in the footboard, as shown.

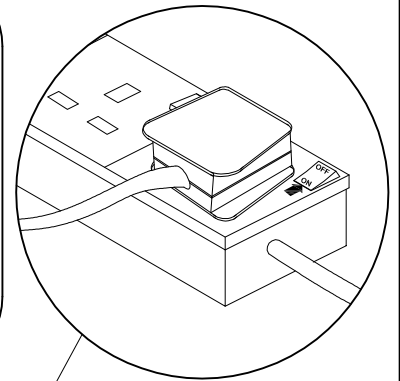
Step 9-2 Connect the power cable (13) power plug into an 4 socket extension lead, then switch on.

Step 9-3 Switch on the main power supply.

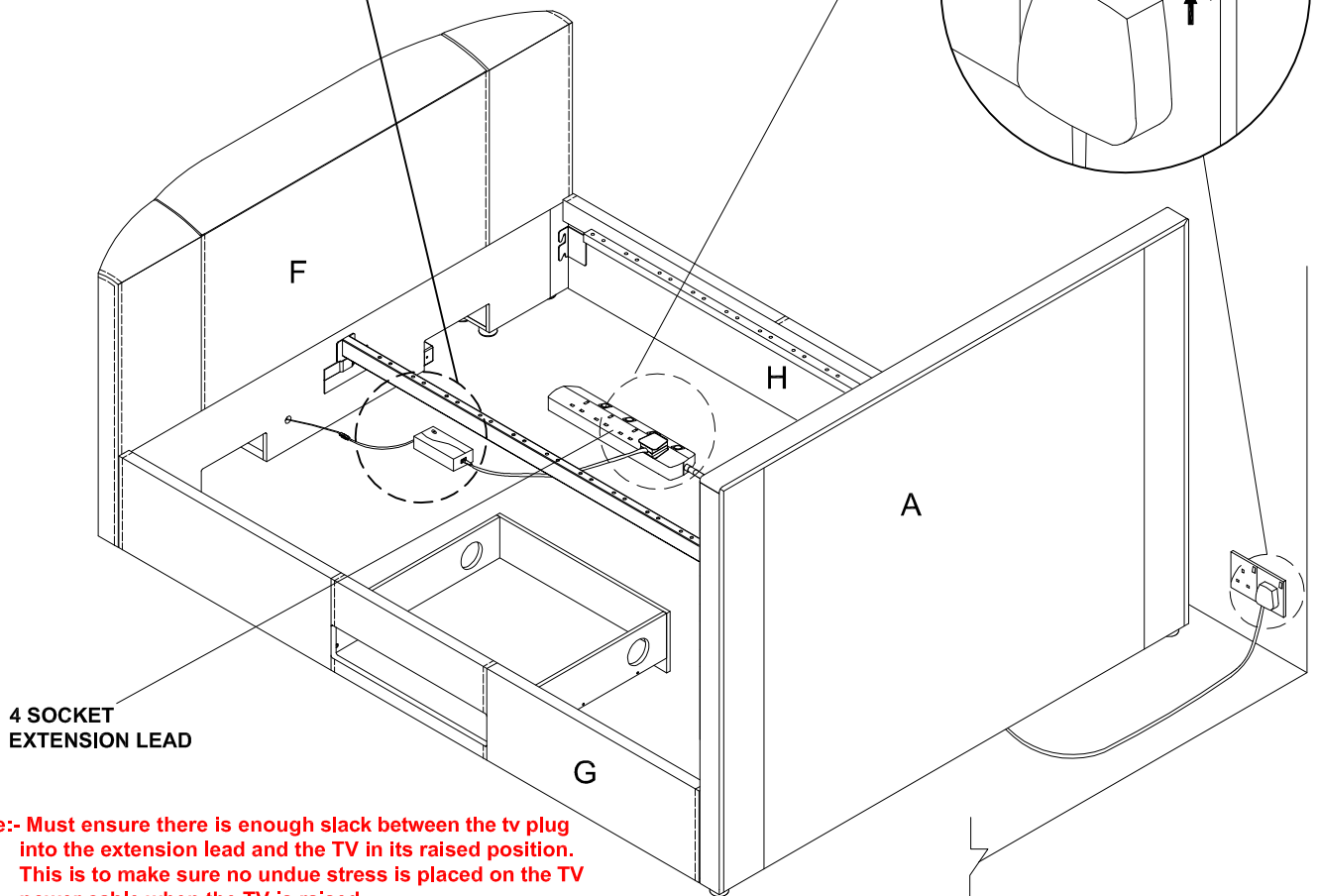
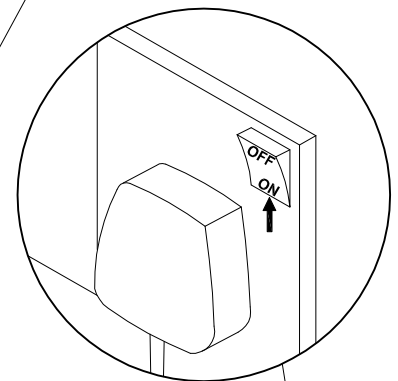
STEP 9-1



STEP 9-2



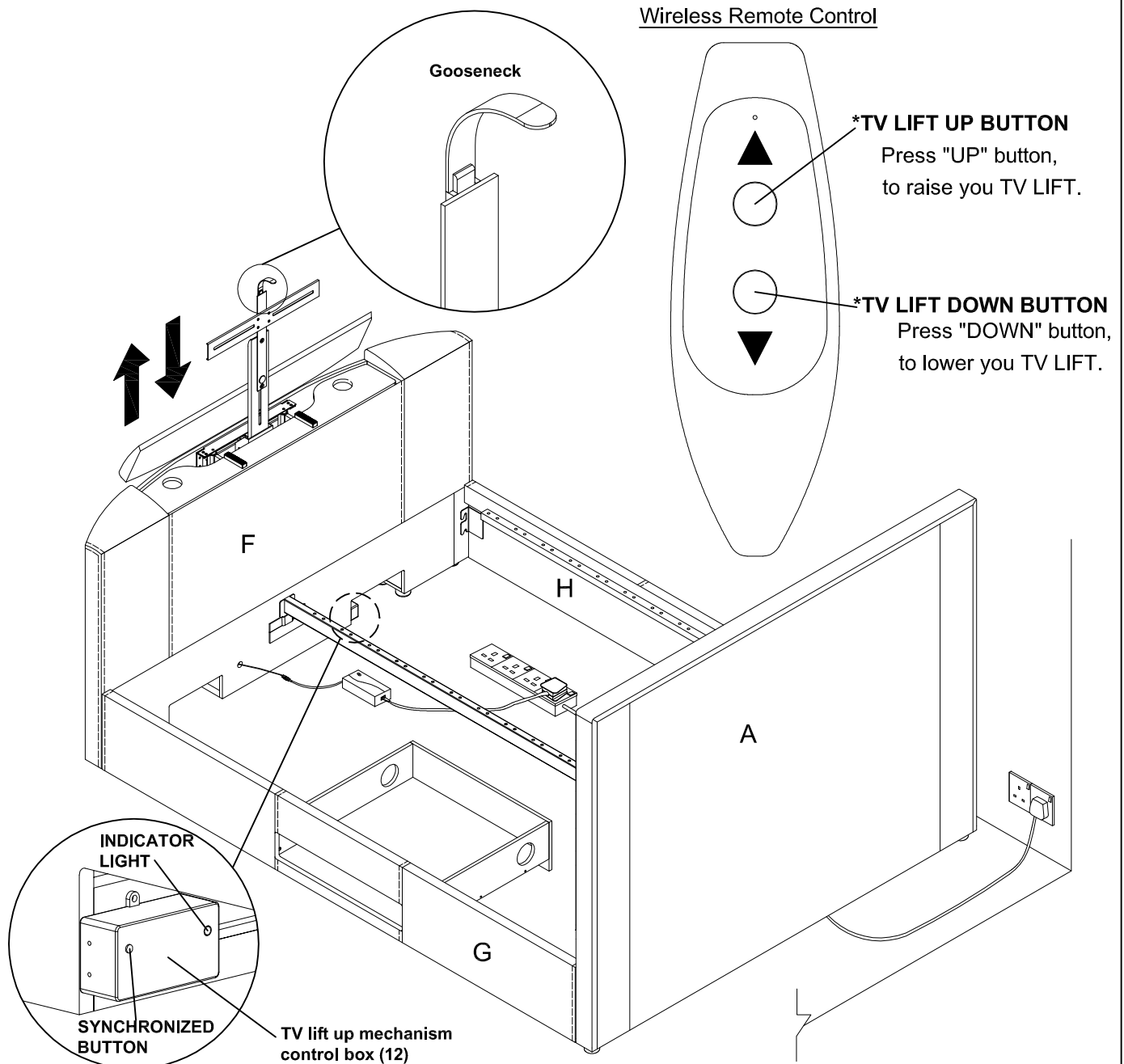
STEP 9-3



Note:- Must ensure there is enough slack between the tv plug into the extension lead and the TV in its raised position. This is to make sure no undue stress is placed on the TV power cable when the TV is raised.

Step 10

- Continually press the "UP" switch on the wireless remote control, which will then lift the TV mechanism up until the footboard TV lid will opens to its full extent. Continually press the "DOWN" switch on the wireless remote control to lower the TV mechanism.
- If the wireless remote control does not operate the TV lift mechanism, please follow the **SYNCHRONIZED SETTING** shown in below.



TV LIFT MECHANISM CONTROL BOX SYNCHRONIZATION

- Ensure there are two working batteries fitted correctly inside the remote control.
 - For initial start up, must synchronize the wireless remote control & control box.
- A) Press and hold the synchronization button on the TV lift control box located in the right hand mouse hole for 3 seconds, the indicator light will be flash red.
 - B) Simultaneously, press together the up and down button on wireless remote control continuously for 3 seconds until the control box indicator light turn from the flash red to the long bright. This means the synchronization was success and can unclasp fingers from wireless remote control.
 - C) Now the wireless remote control is ready to use.
 - D) If the above step haven't been done within the 30 seconds, then the synchronization was not success and need to repeat the step again.

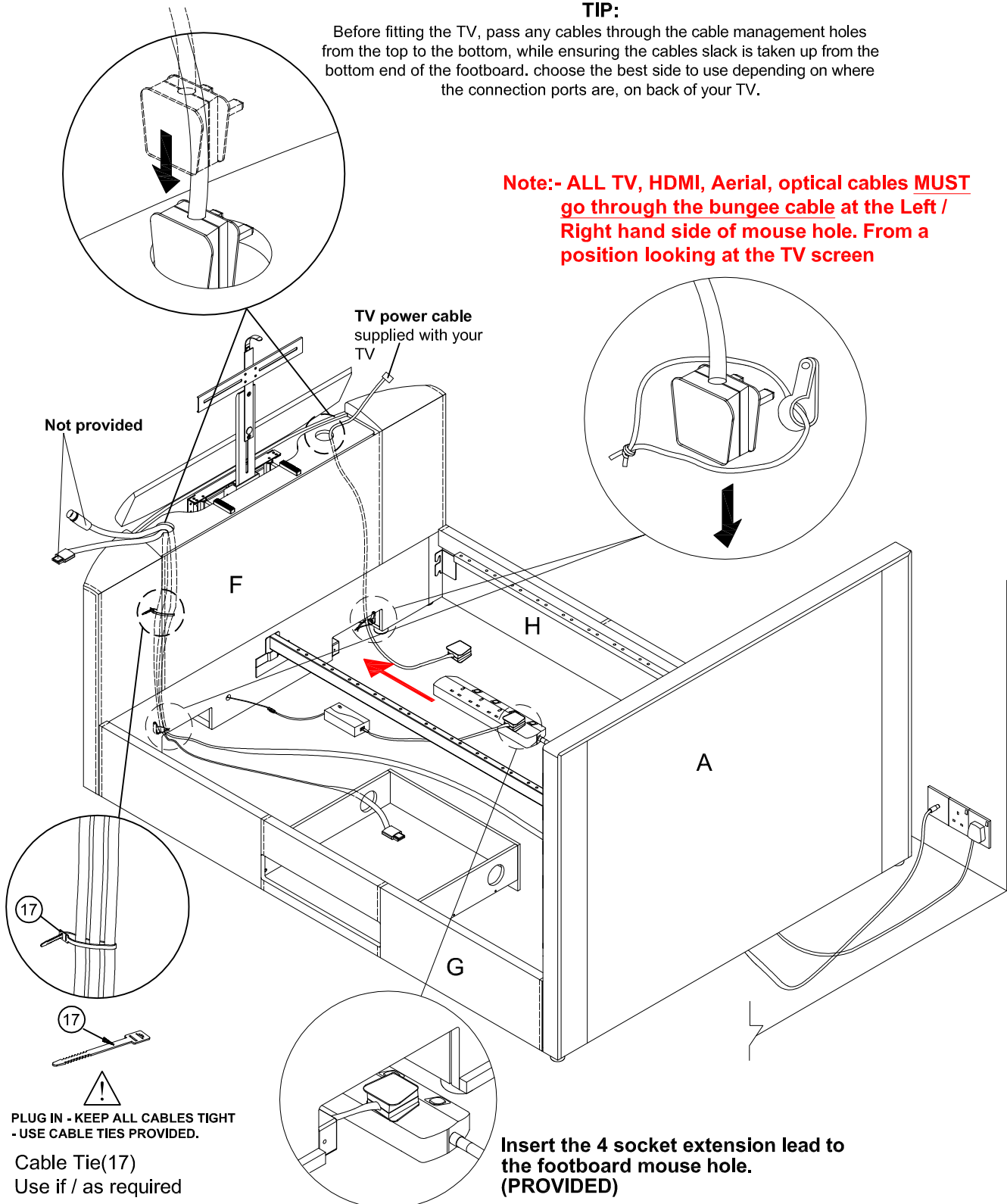
Step 11

- Cable connection plan. Make sure you have all the relevant cable connections required (HDMI cable, TV Aerial cable, TV power cable, Optical cable etc...) before you install the TV.
- The cable management holes are to help you to manage the cable and keep them tidy and free from snags. Pass all cables cleanly through these holes. While ensuring any cable slack is taken up from the bottom end of the footboard.

TIP:

Before fitting the TV, pass any cables through the cable management holes from the top to the bottom, while ensuring the cables slack is taken up from the bottom end of the footboard. choose the best side to use depending on where the connection ports are, on back of your TV.

Note:- ALL TV, HDMI, Aerial, optical cables MUST go through the bungee cable at the Left / Right hand side of hole. From a position looking at the TV screen



PLUG IN - KEEP ALL CABLES TIGHT
- USE CABLE TIES PROVIDED.

Cable Tie(17)

Use if / as required

Insert the 4 socket extension lead to the footboard mouse hole. (PROVIDED)

Place all cables through the 'Cable Management' holes to prevent any damage to the cable when the TV Lift Mechanism is operating. Make sure all your the cables are long enough to let the TV Lift Mechanism move freely.

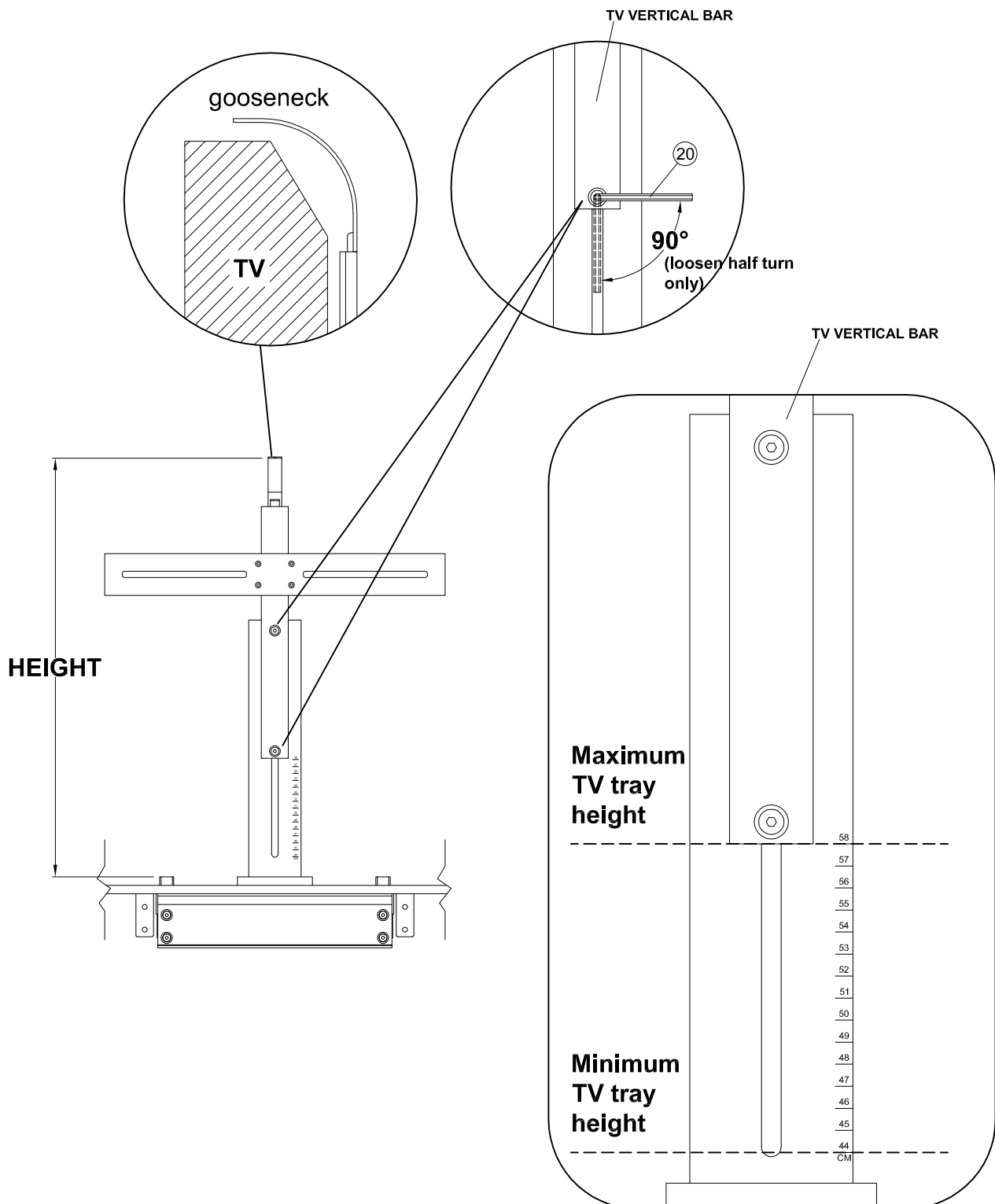
All the cables MUST be carefully pulled and fully extended.

Group the cables together as required below the TV Tray using cable tie(17) provided.

Step 12

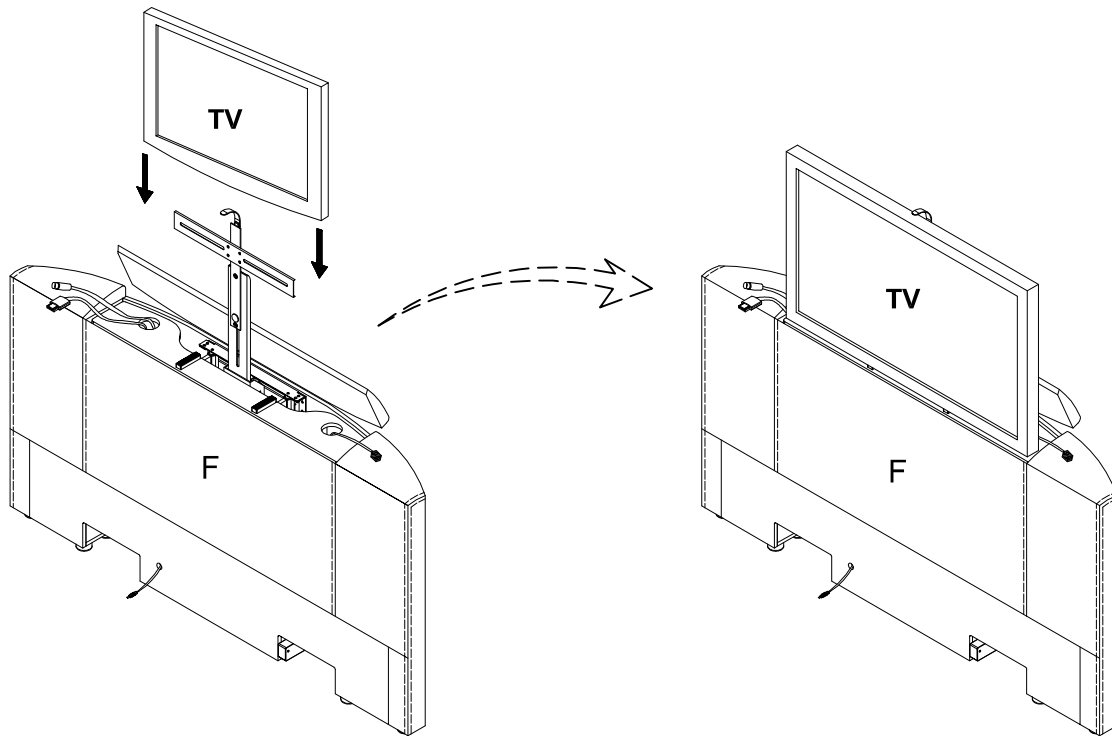
- Adjust the TV tray to suit the height of your TV (without stand). Please follow step below
 - 12.1 : Make a note of the height (without stand!) of your television.
 - 12.2 : Use the Allen key (20) to slightly loosen the bolts-half turn only, do not remove all. (Please refer diagram below)
 - 12.3 : Slide "UP/ Down the TV vertical bar to using the measure line to match the noted height of your TV, then fully tighten the bolts.
 - 11.4 : When the TV is mounted it should sit neatly just underneath the Gooseneck.

Note: The minimum height of the TV Tray is 440mm which accommodates any of the smaller TV heights (without stand) below 440mm.



Step 13

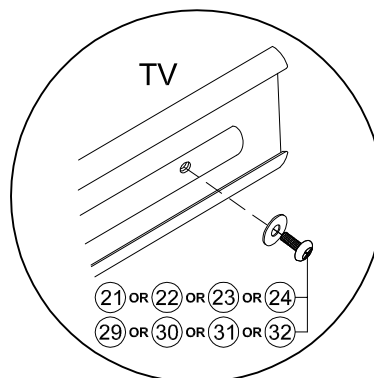
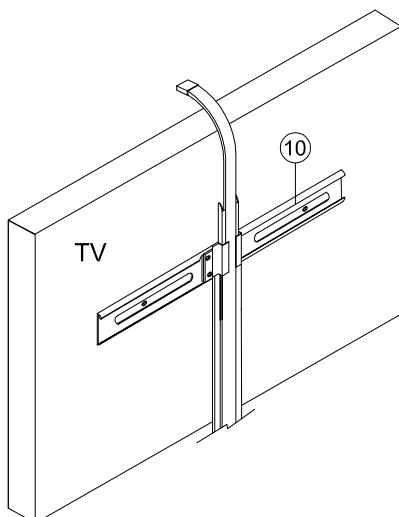
- You are now ready to install your TV.
- Raise the mechanism to it's highest position.
- While standing behind your television (on the outside end of the footboard).
- Carefully place the TV on top of the two rubber TV mounting pedestals - ensuring the Gooseneck arm is perfectly inline with the horizontal 'centre' of the TV.



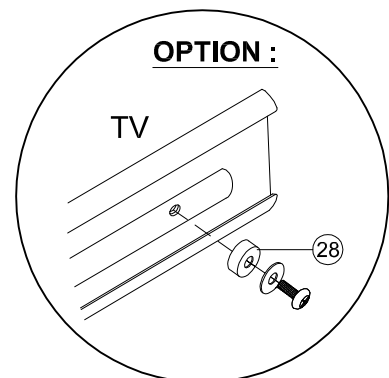
Step 14

- TV Bracket

Please note : Item (21) or (22) or (23) or (24) or (29) or (30) or (31) or (32) screws have been supplied to fit most TV models. However sizes may vary depending on the TV model. If smaller or larger size screws are required these should be source from your local hardware store or TV specialist. Washers may also be required. Your retailer may also supply alternative fixings depending on the TV model supplied at the time.



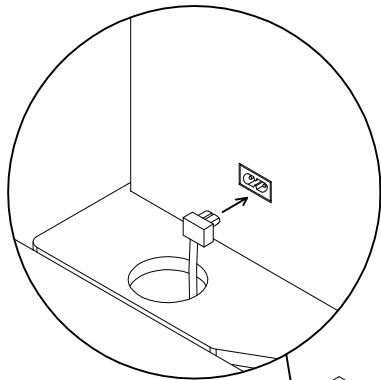
BOLT (21) (22) (23) (24)
 BOLT (29) (30) (31) (32)
 WITH
 WASHER (25) (25) (26) (27)



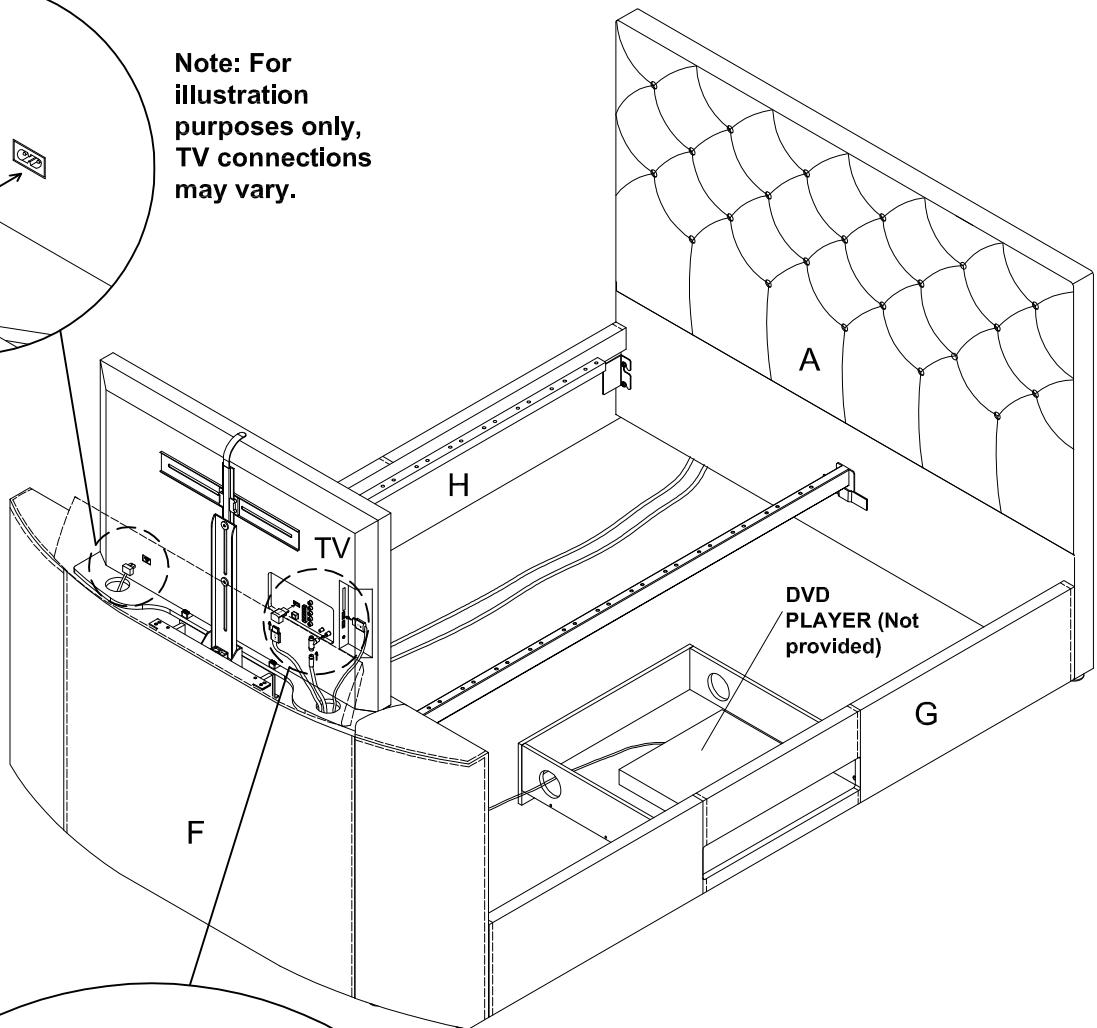
In the event you find the screws are too long for the TV with bracket please use Plastic collar (28) if required.

Step 15

- Install all the cable connection to the TV .

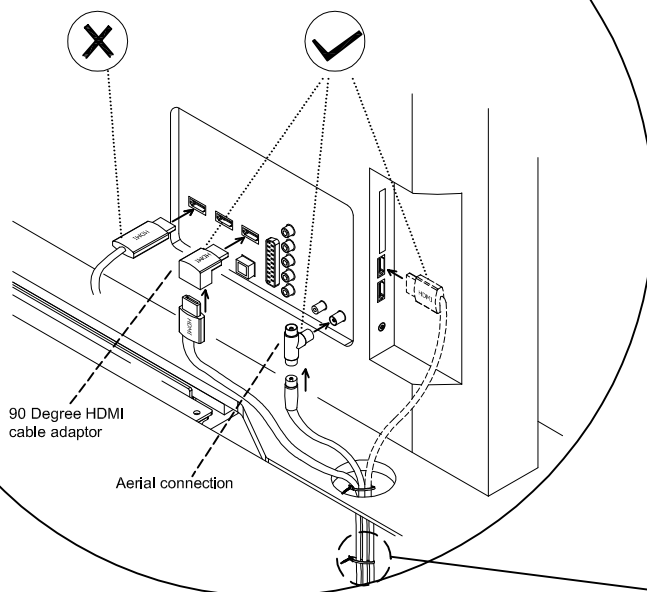


Note: For illustration purposes only, TV connections may vary.



Note: For illustration purposes only, TV connections may vary.

YOUR TELEVISION REAR VIEW
HDMI CABLE PLUG POSITION POSSIBLE SCNARIO'S



Attention Please Note : Connecting Your HDMI or Aerial Cable as shown in diagram (X) can seriously Damage Your TV sockets.

To reduce this possibility we have supplied 90 degree adaptors for both HDMI and Aerial connections.



This will reduce the cable protrusion and lessen the possibility of the cable colliding with the bed frame. **These can be found in the bed frame hardware pack located in Box B (foot end).** Please refer to the above diagram for the correct fitting of cables. More detailed information can also be found on above diagram of your assembly instructions.

The manufacturer or retailer will not accept responsibility for any damages arising from incorrect installation.

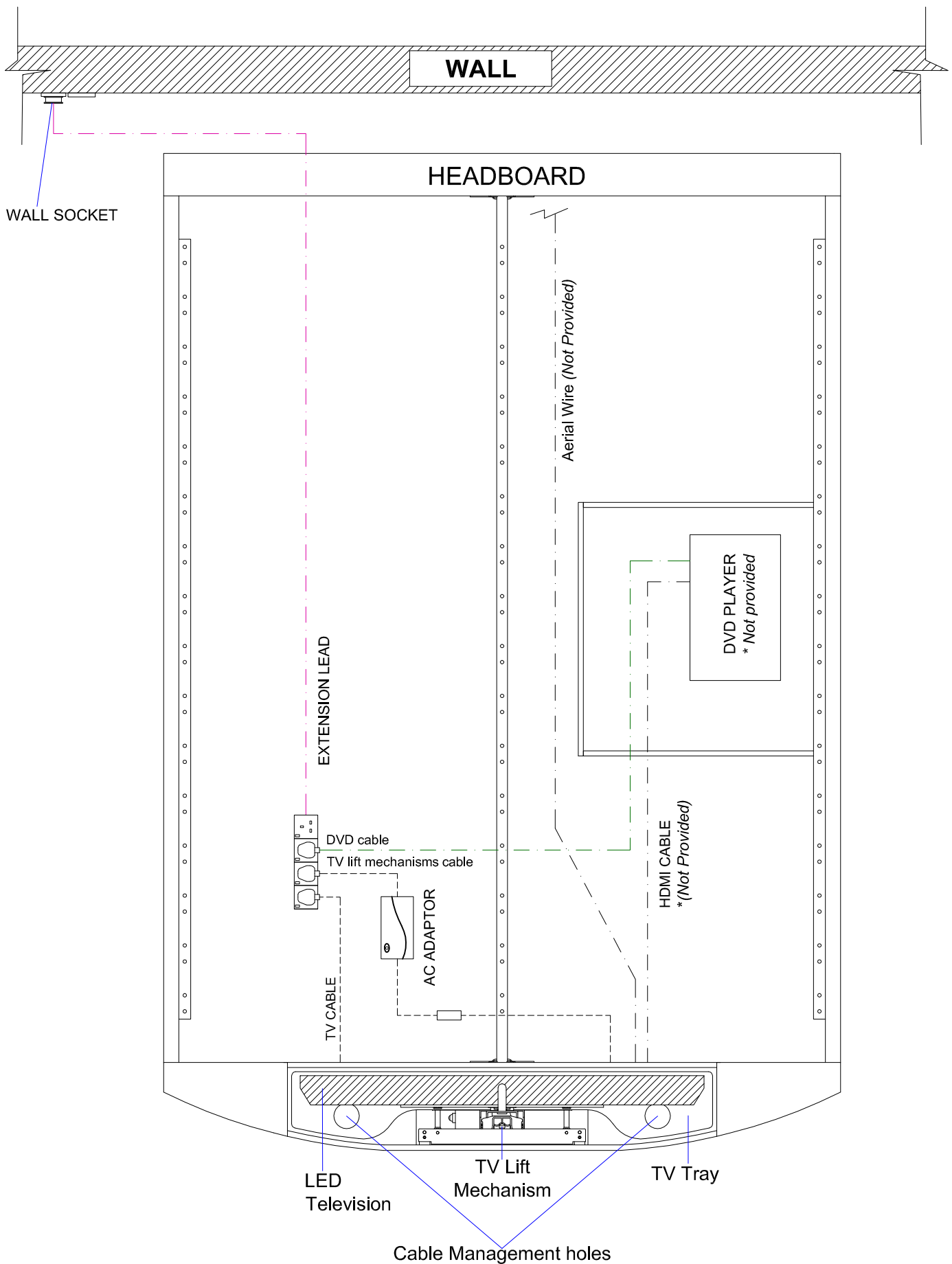


17 Cable Tie(17)
Use if / as required

NOTE: The cables port for television, DVD, TV aerial etc may not be the same as shown above and vary depending on TV model.

Step 16

- Detail connection plan.



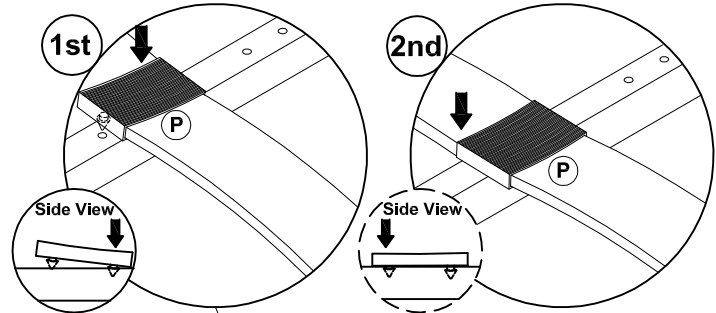
* The TV cable main supply can put either left or right side depends on the TV port location.

Step 17

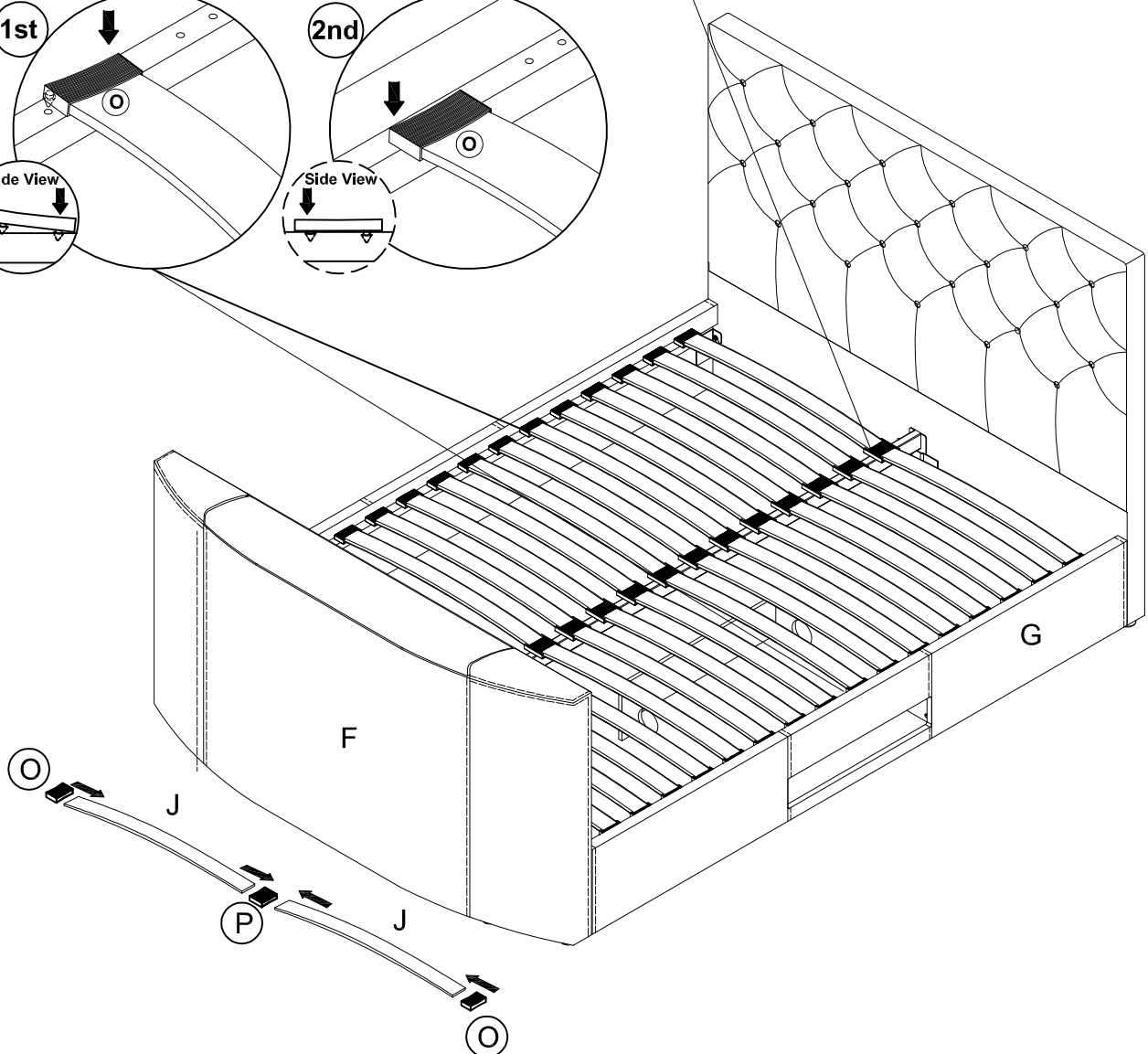
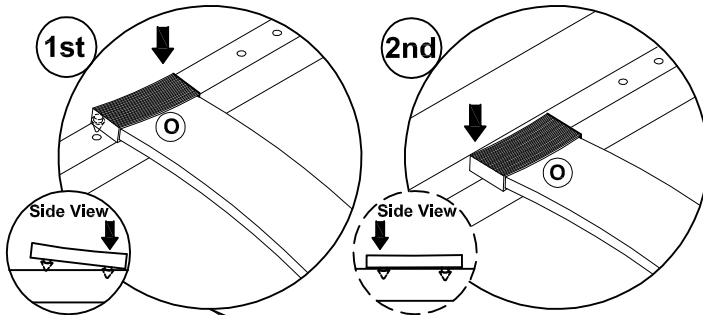
- Attach middle cap and end cap to the bend slat.
- Push the middle cap into the center rail first.
Then end caps to side rail support as shown in step 17-1 & step 17-2.

* PLEASE REFER TO PAGE (19 of 21), IF NEED TO REMOVE THE SLAT CAPS FROM THE BED

(STEP 17-1) INSERTING MIDDLE CAP TO THE CENTRE RAIL

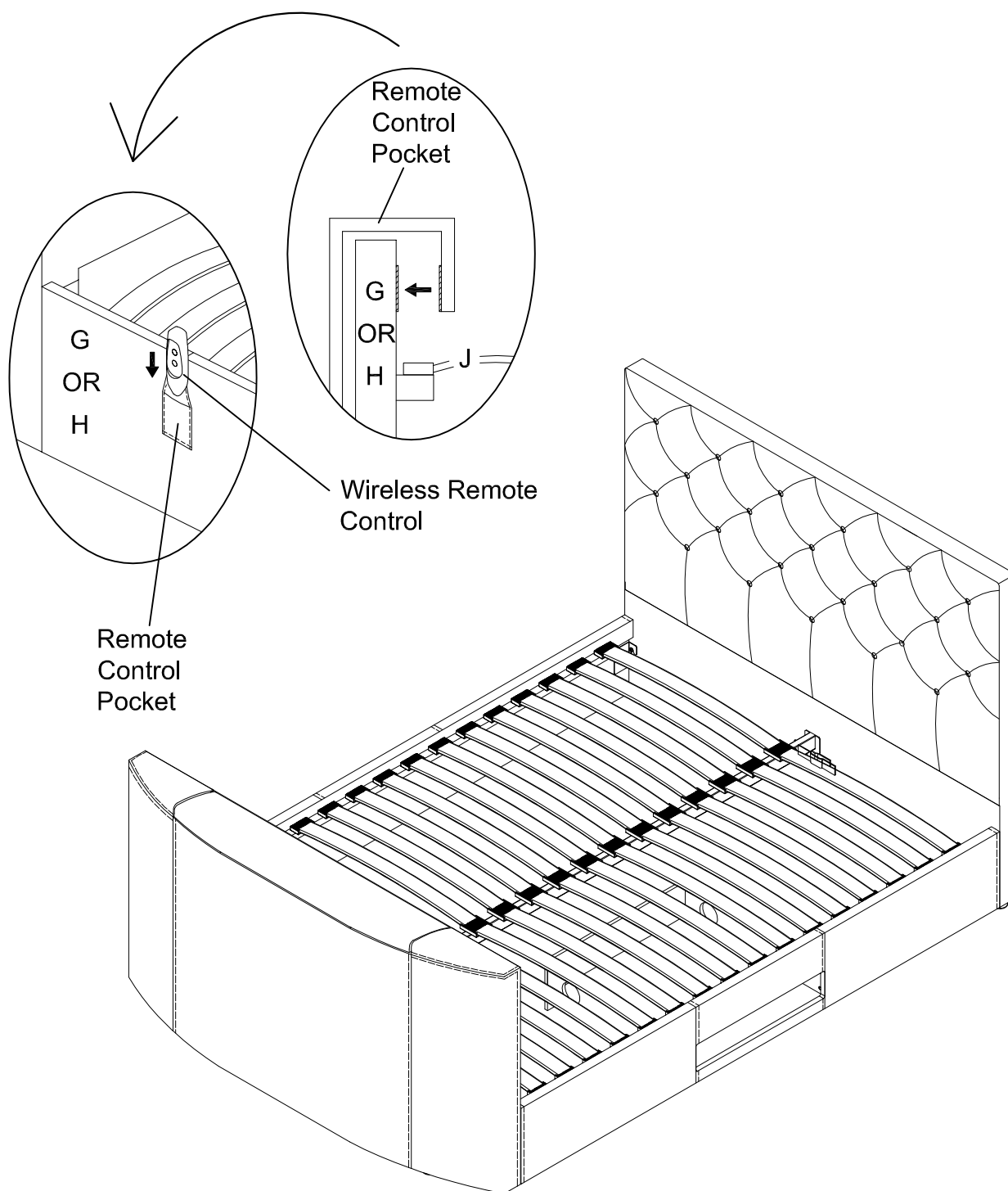


(STEP 17-2) INSERTING END CAP TO THE SIDE RAIL SUPPORT



Step 18

- Attach the Remote Control Pocket to the left or right sides of the side rail as preferred.



ATTENTION! PLEASE NOTE:

In the event you are experiencing any technical difficulties and you require additional assistance/ support with your product 'Mechanical/ Electrical' function - Please visit:

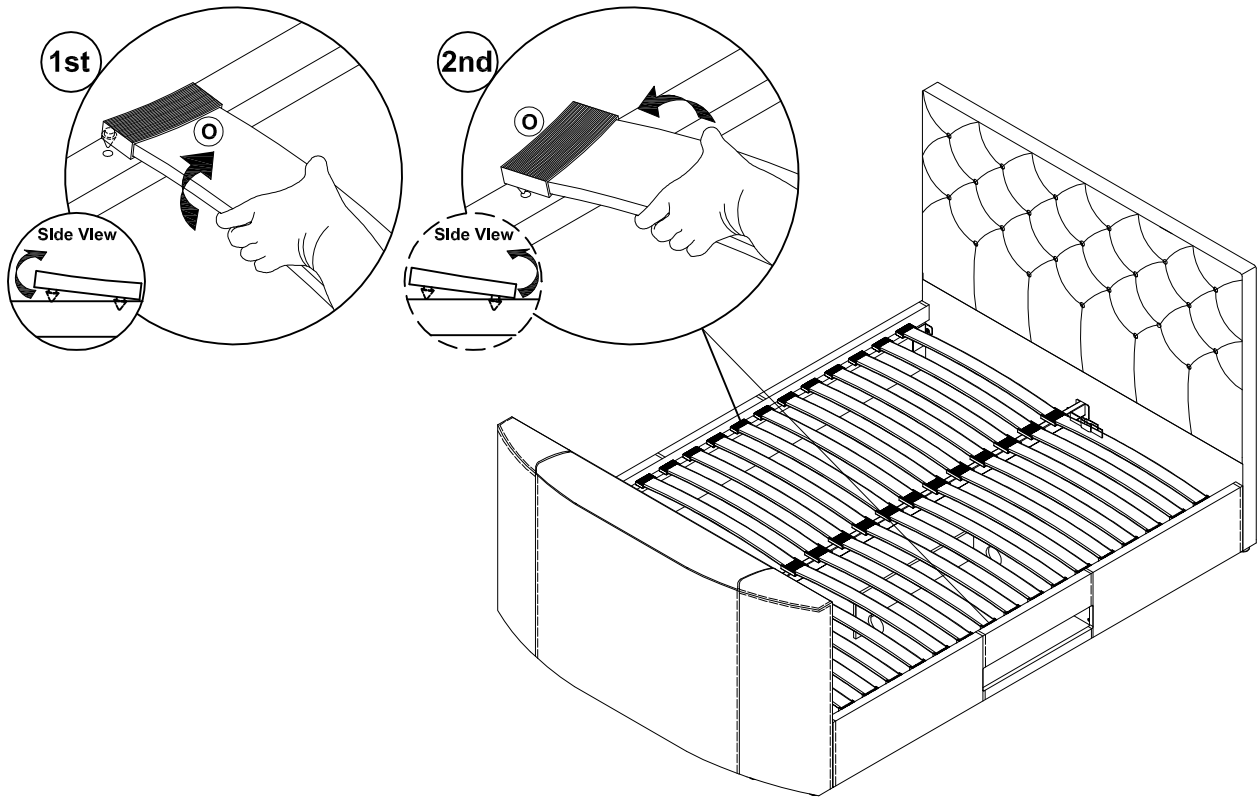
SUPPORT EMAIL: support@bssbfurnitureinnovation.com

UK PRODUCT SUPPORT HOTLINE : 01462600064

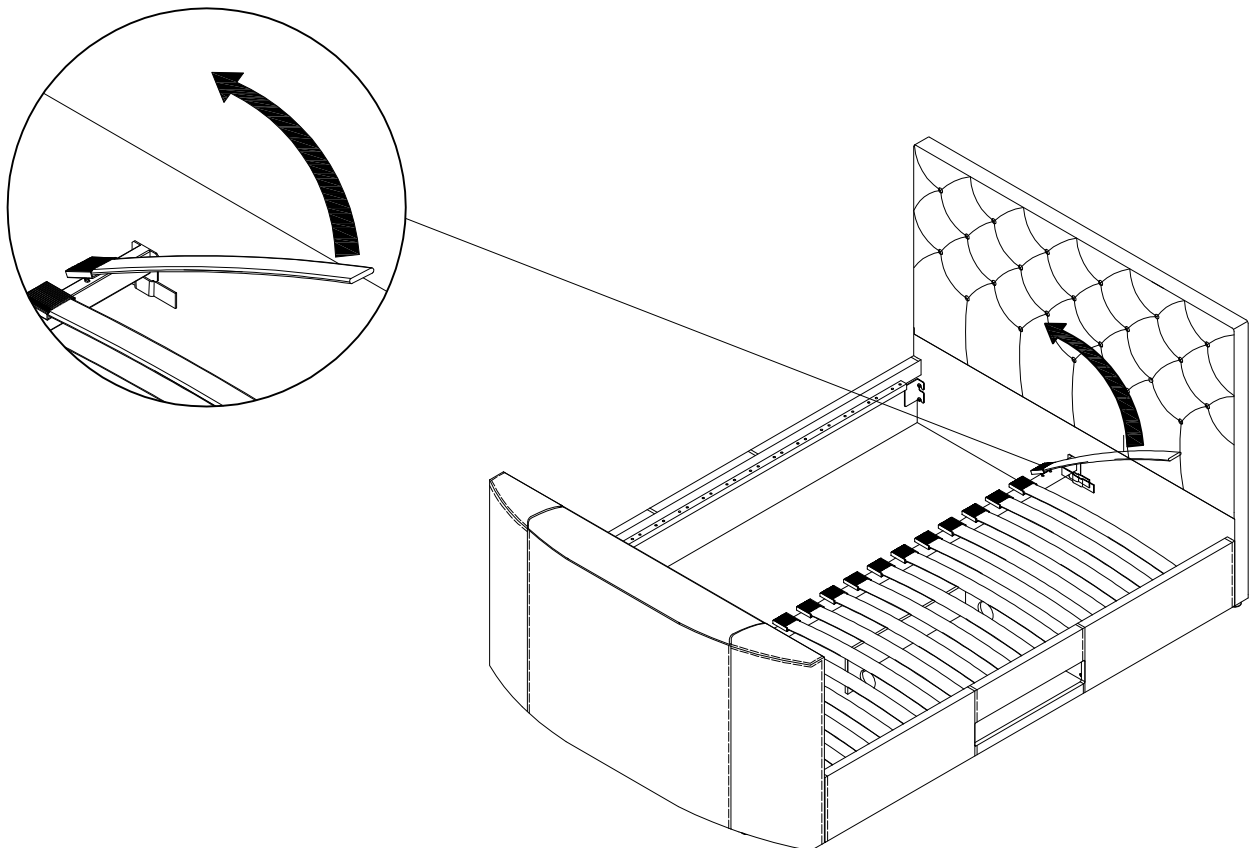
Contact your retailer for all other issues such as damage, missing or faulty components (non electrical) or anything else of a non technical/electrical nature.

(DISMANTLE THE SLAT CAP)

- Firstly, remove both end cap from side rail support & remove one side of slats as shown.



- After that, use the slats to remove middle cap slowly as shown.



TROUBLE SHOOTING

TV LIFT DOES NOT OPERATE

CHECK

AC POWER ADAPTOR POWER CABLE (13) IS PLUGGED INTO A WORKING "SWITCHED ON" MAINS POWER SUPPLY.

THE OTHER END OF POWER ADAPTOR CABLE (11) IS PLUGGED FIRMLY INTO THE TV LIFT POWER CABLE.

THE AC POWER ADAPTOR (11) HAS AN ILLUMINATED GREEN "POWER ON" LED LIGHT.

YES

NO

CHECK THE WIRELESS REMOTE CONTROL BATTERIES ARE FITTED CORRECTLY AND WORKING, OR REPLACE NEW BATTERY.

CHANGE THE 3A FUSE ON THE AC POWER ADAPTOR POWER CABLE PLUG (13).

YES

THE AC POWER ADAPTOR (11) NOW HAS AN ILLUMINATED GREEN "POWER ON" LED LIGHT.

PERFORM A RE-SYNC OF REMOTE CONTROL

TRY RE-SYNC AGAIN

CONTACT SUPPORT

YES

NO

TV LIFT IS NOW WORKING

CONTACT SUPPORT

YES

NO

PERFORM A RE-SYNC OF REMOTE CONTROL

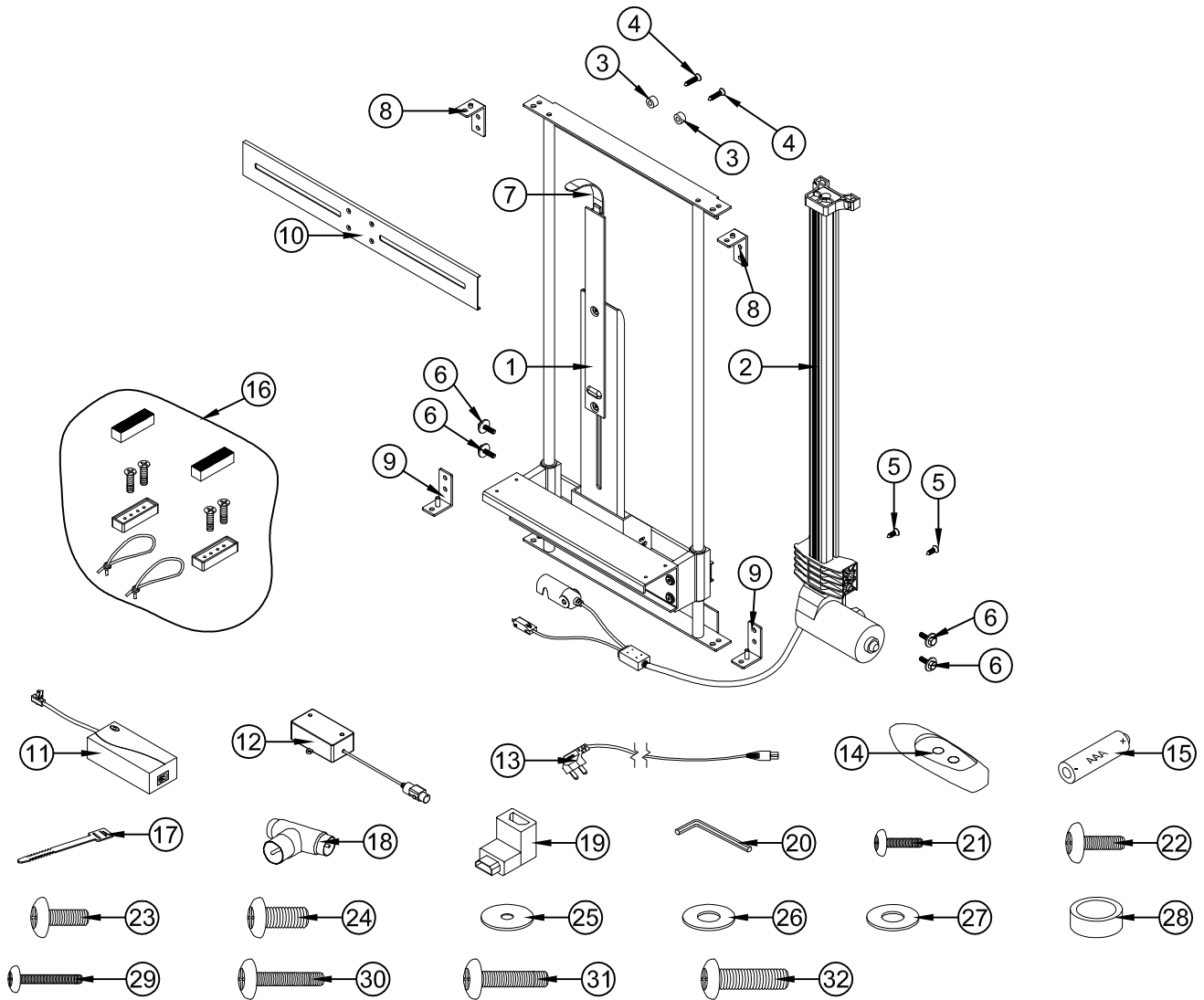
TRY RE-SYNC AGAIN

CONTACT SUPPORT

SPECIFICATION-TV MECHANISM

FEATURE	Wireless Remote Control-TV LIFT MECHANISM
INPUT	100V-240V~ 50/60Hz 1500mA
OUTPUT	29V ---- 2A
DUTY CYCLE	MAX 10% ; MAX 2 min / 18 min
BATTERY (WIRELESS REMOTE CONTROL)	Size: AAA - Ø10.5 X T44.5mm - Spec.: 1.5V

G4 TV LIFT MECHANISM- OPTI-SERVE SPARE PARTS LIST



ITEM NO.	PART DESCRIPTION	IV CODES
1	Main TV-lift up mechanism (pre-assemble)	IV001281
2	TV-linear actuator G4 (pre-fixed)	
3	Actuator mounting top spacer (2pcs) (pre-fixed)	
4	Cross recessed countersunk flat head wood screw- Top mounting M6 x 30mm (2pcs) (pre-fixed)	IV001282
5	Cross recessed countersunk flat head wood screw- Top mounting M6 x 20mm (2pcs) (pre-fixed)	
6	Actuator mounting bolt- screw M6 x 20mm (4pcs) (pre-fixed)	
7	Gooseneck (pre-fixed)	IV001289
8	Top hanging bracket (2pcs) (pre-fixed)	
9	Bottom hanging bracket (2pcs) (pre-fixed)	IV001636
10	TV- flat bracket (Vesa Bracket) (pre-fixed)	IV001290
11	TV-lift up mechanism AC/ DC adapter	IV001291
12	TV lift-up mechanism control box (pre-fixed)	IV001293
13	TV-lift up mechanism AC/ power-cable power plug UK	IV001295
14	Wireless remote control	IV001302
15	Battery (2pcs)	IV000991
16	TV block (2pcs), screw M4 x 35mm (4pcs), block rubber cover (2pcs), cable management bungee cable (2pcs) (pre-fixed)	IV001635
17	Cable clip (2pcs)-use to fix wire	
18	Aerial connection (1pc)	
19	90 degree HDMI adaptor (1pc)	
20	Allen key (M4) (1pc)	
21	Pan head screw M4 x 20mm (2pcs)	
22	Pan head screw M5 x 20mm (2pcs)	
23	Pan head screw M6 x 20mm (2pcs)	
24	Pan head screw M8 x 20mm (2pcs)	IV001634
25	M5 washer (2pcs)	
26	M6 washer (2pcs)	
27	M8 washer (2pcs)	
28	Plastic collar (6pcs)	
29	Pan head screw M4 x 40mm (2pcs)	
30	Pan head screw M5 x 40mm (2pcs)	
31	Pan head screw M6 x 40mm (2pcs)	
32	Pan head screw M8 x 40mm (2pcs)	