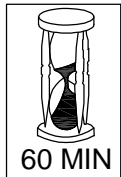


Minimum Two
Persons Assembly



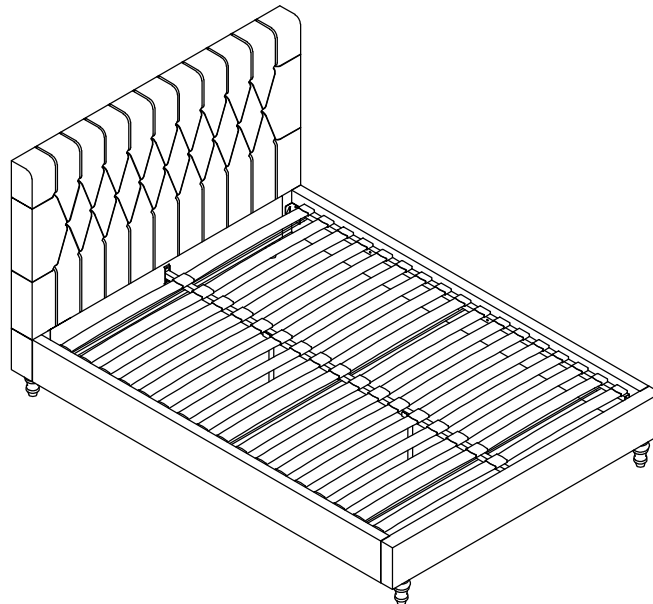
Approximate
Assembly Time



Sandra Bed Frame 150CM
STK778202/STK778205

Assembly instructions

Please keep these instructions for future reference.



Regrettably self-assembly items cannot be returned once assembly is part or fully completed unless the items are found to be faulty. Should you need to return the unassembled product, please repack in its original packaging.

Important information

- We suggest you spend a short time reading through this leaflet and then follow the simple step-by-step instructions.
- Carefully check that you have all the parts before beginning assembly.
- Keep fittings out of children's reach and keep children well away from construction area.
- We suggest you retain these instructions for future reference.
- In the unusual event of an issue with your product would you please quote the batch I.D. number situated on the main parts of the frame (Head End- Foot End- side Rails).

Product information

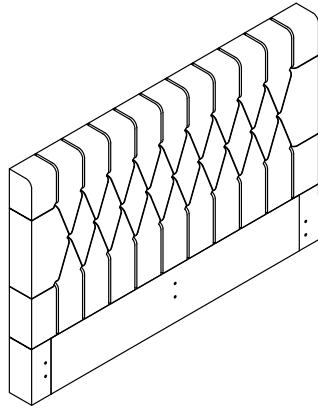
- Upholstered Bed Using Fabric Material. Conforms to BS EN1725 & BS 5852.

Care instructions

- Avoid exposing the furniture to excessive heat or direct sunlight as this can cause cracking and deterioration of the color.
- Periodically check & re-tighten any fastener .
- Periodically dust lightly with a clean soft cloth.
- Do not use silicone based furniture polish.
- Any spills should be removed immediately with a damp cloth.
- TAKE CARE WHEN MOVING THE FURNITURE AND NEVER DRAG THE PIECES ACROSS THE FLOOR,AS THIS WILL CAUSE DAMAGE TO THE JOINTS.

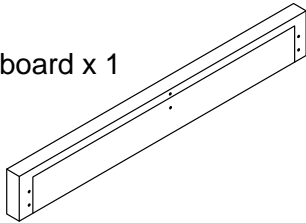
Components of Carton A

① Headboard x 1

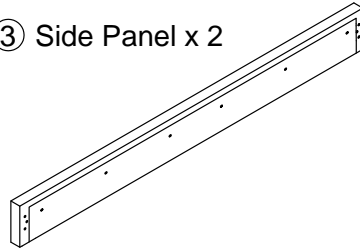


Components of Carton B

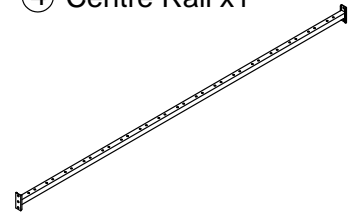
② Footboard x 1



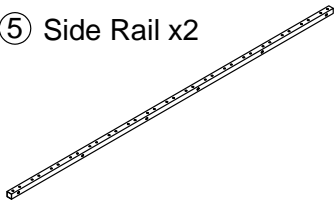
③ Side Panel x 2



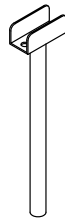
④ Centre Rail x 1



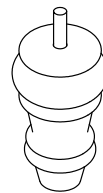
⑤ Side Rail x 2



⑥ Support Leg x 2



⑦ Leg x 4



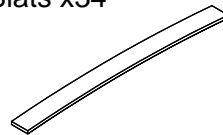
⑨ Bracket x 2



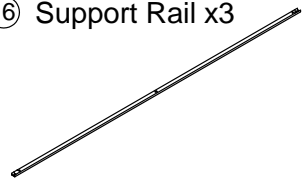
⑩ Bracket x 2



⑭ Wooden Slats x 34



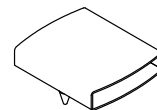
⑯ Support Rail x 3



⑳ Single Slat Cap x 34+2 pcs



㉑ Double Slat Cap x 17+1 pcs

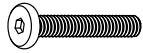


Hardware List in Carton B

Ⓐ M6 x 20MM x 33



Ⓑ M6 x 30MM x 4



Ⓒ M6 x 40MM x 12

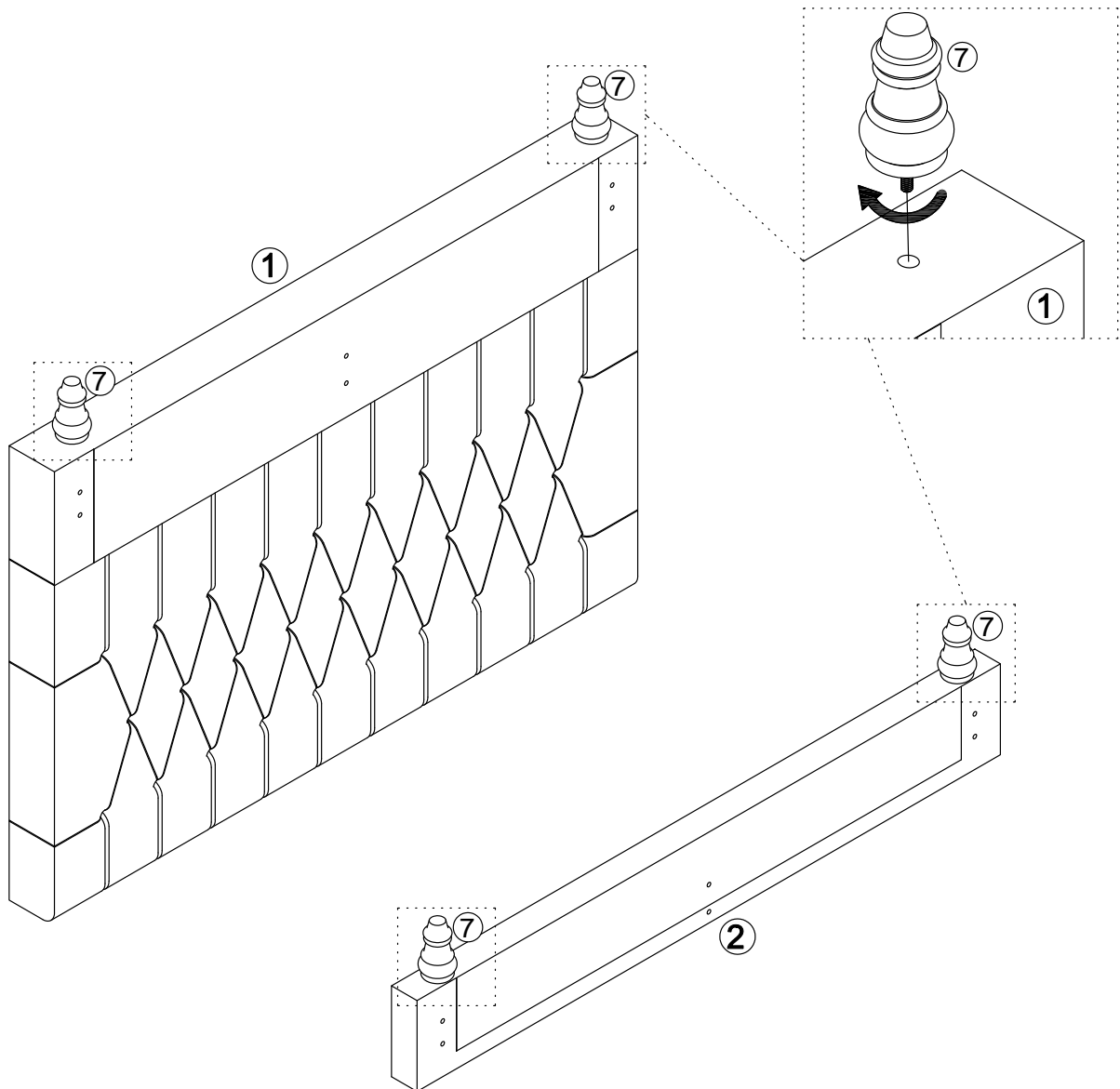


Ⓓ ALLEN KEY 4MM x 1



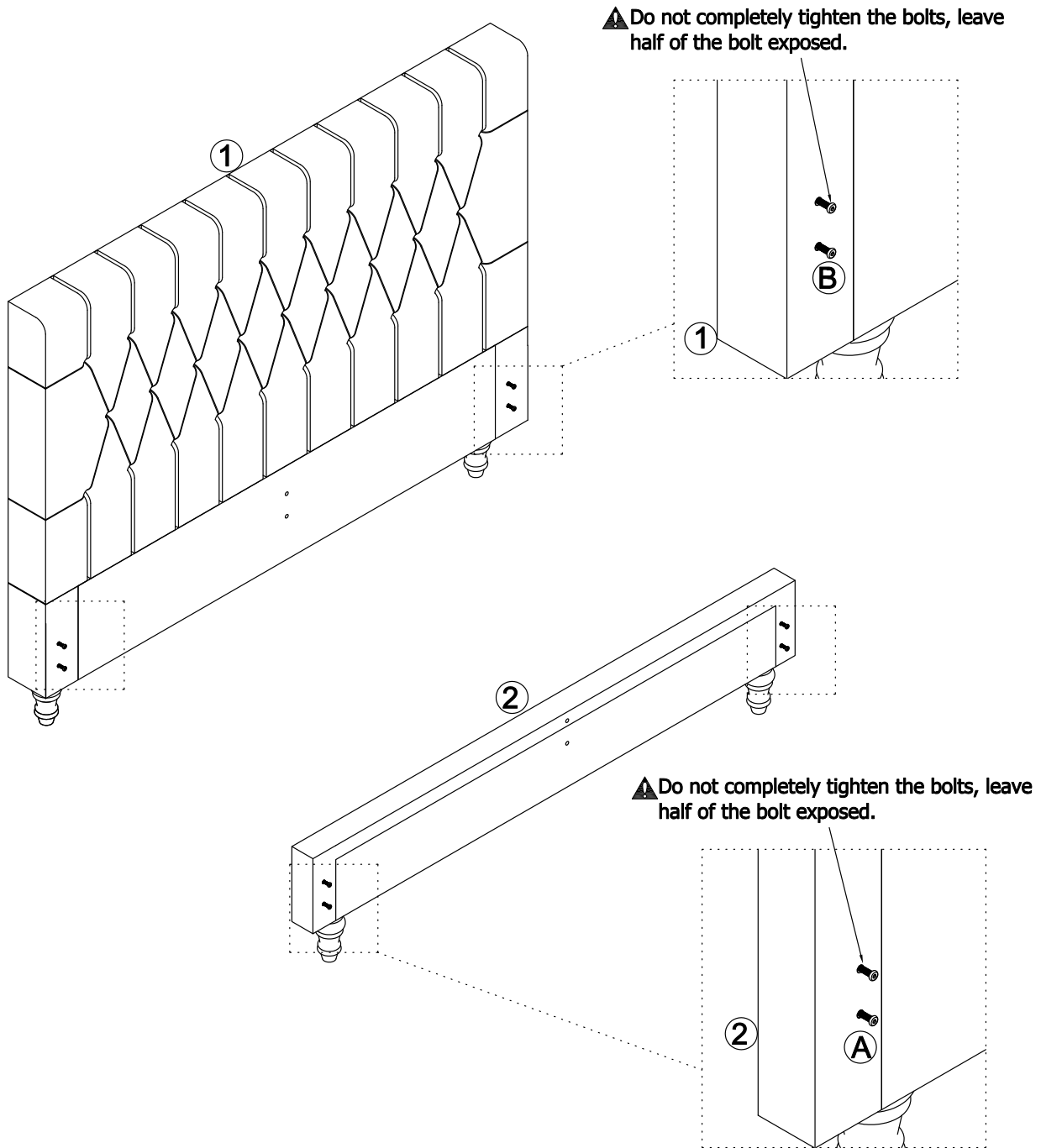
Step 1

- Attach Leg ⑦ to Headboard ①.
- Attach Leg ⑦ to Footboard ②.



Step 2

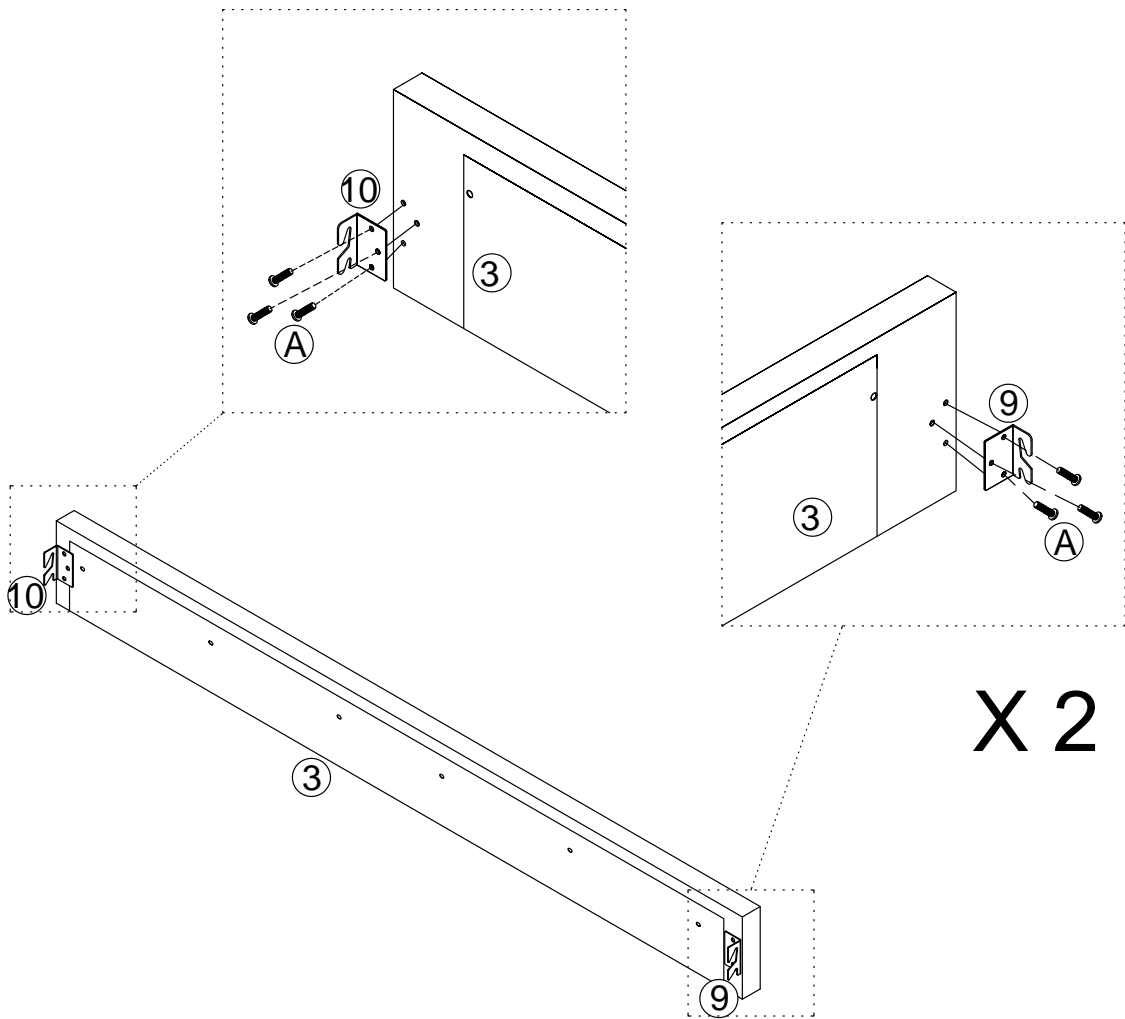
- Screw **(B)** onto Headboard **(1)**.
- Screw **(A)** onto Footboard **(2)**.





 M6X20mm A X4	 M6X30mm B X4	 D X1
--	--	---

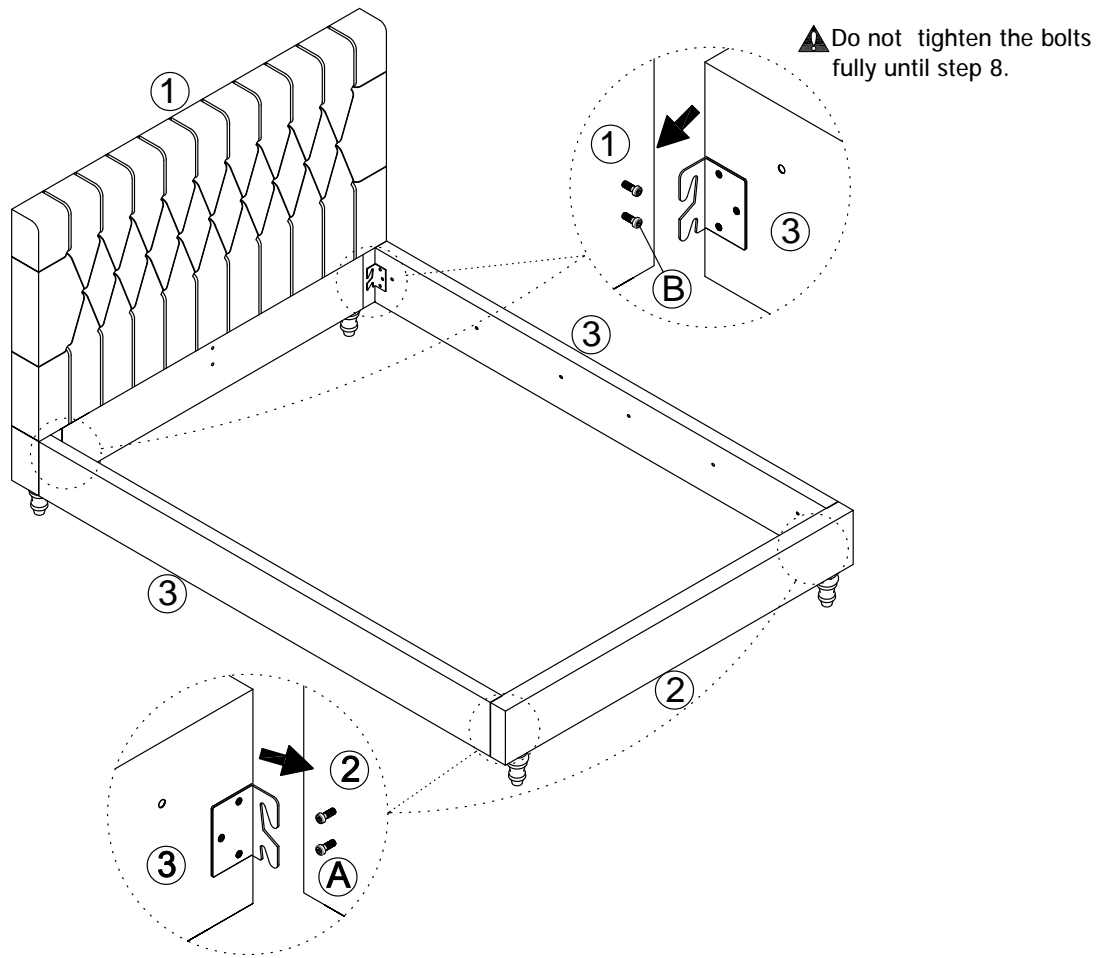
Step 3

- Attach Bracket ⑨ and Bracket ⑩ to Side panel ③ .
Using 20mm Bolt ① and Allen Key ② as shown.



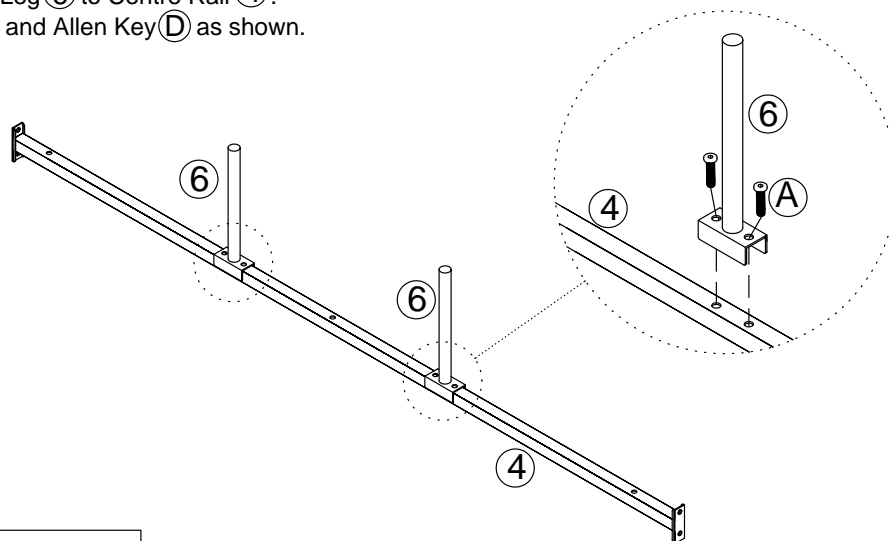
 M6X20mm A X12	 D X1
---	---

Step 4



Step 5

● Attach Support Leg (6) to Centre Rail (4).
Using 20mm Bolt (A) and Allen Key (D) as shown.



M6X20mm

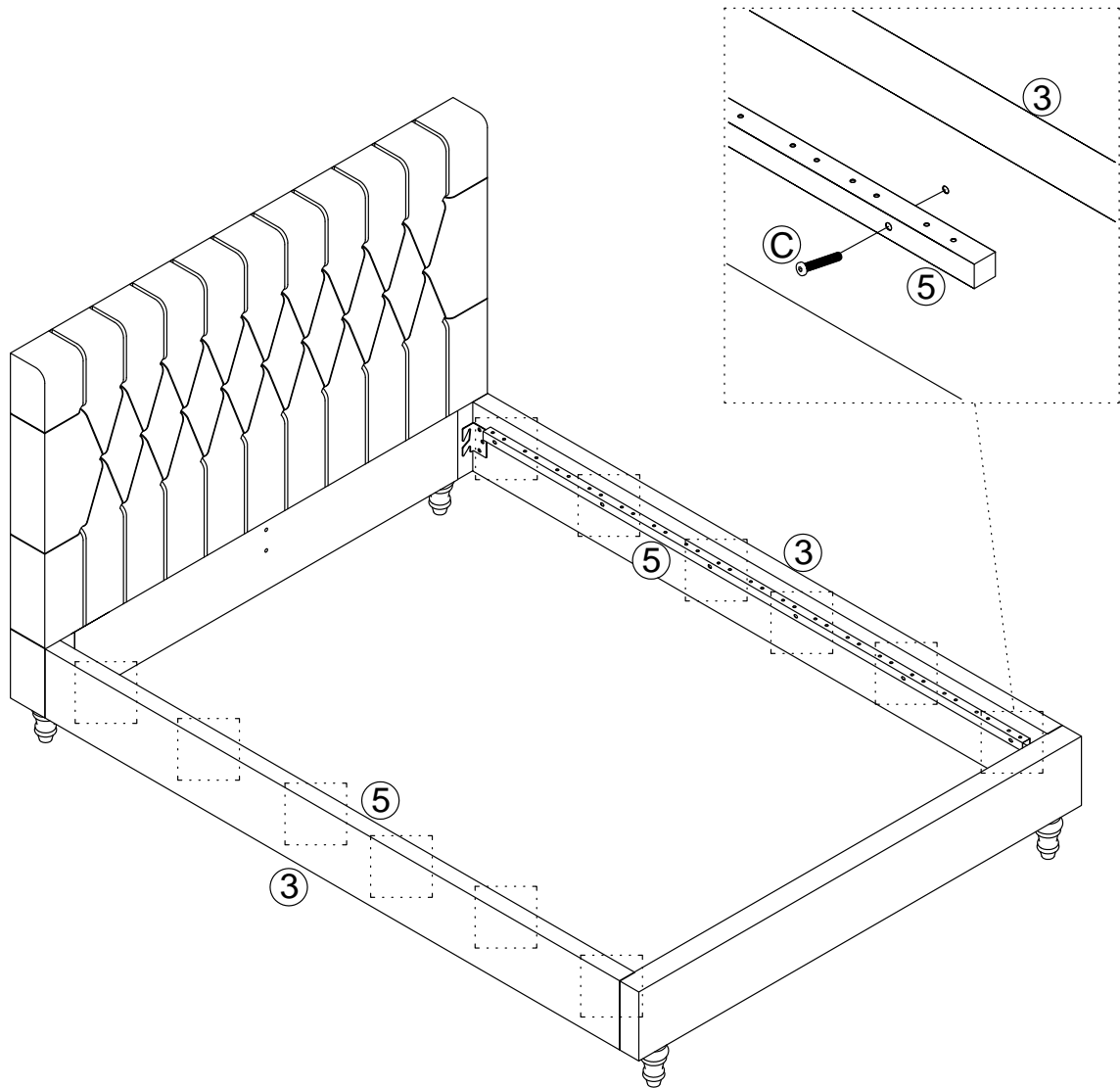
A X4



D X1

Step 6

- Attach Side Rail (5) to Side Panel (3). Using 40mm Bolt (C) and Allen Key (D) as shown.



M6X40mm

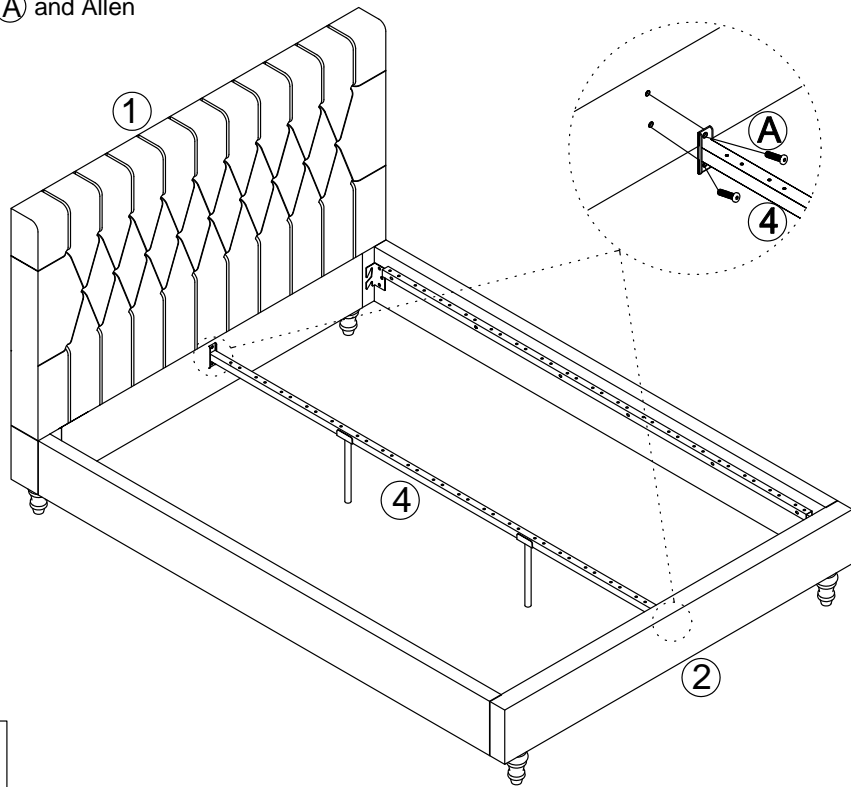
C X12



D X1

Step 7

- Attach Centre Rail (4) to Headboard (1) and Footboard (2). Using 20mm Bolt (A) and Allen Key (D) as shown.



M6X20mm

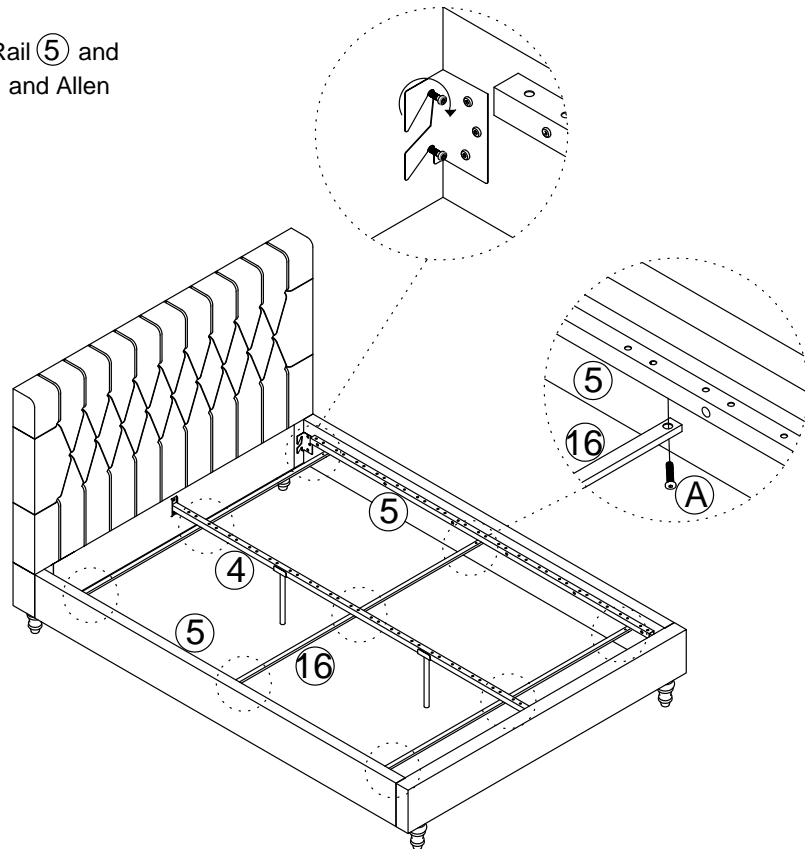
A X4



D X1

Step 8

- Attach Support Rail (16) to Side Rail (5) and Centre Rail (4). Using 20mm Bolt (A) and Allen Key (D) as shown.
- Completely tighten All the bolts.



M6X20mm

A X9



D X1

Step 9

- 9.1 Insert Wooden Slats (14) into Single Slat Cap (37);
- 9.2 Press Single Slat Cap (37) into Side Rail (5), repeat the same procedure for the opposite side.
- 9.3 Insert ends of both Wooden Slats (14) into Double Slat Cap (38), then press Double Slat Cap (38) into Centre Rail (4) as illustrated.
- Repeat the same procedures going backwards for every row of slats.

