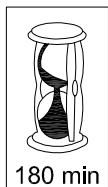


P.O.Number :  
Please Keep This Number For  
Future Reference  
**THIS FORMS PARTS OF  
YOUR GUARANTEE!!**

**bensons**  
for beds



**MINIMUM TWO  
PERSON ASEMBLY**

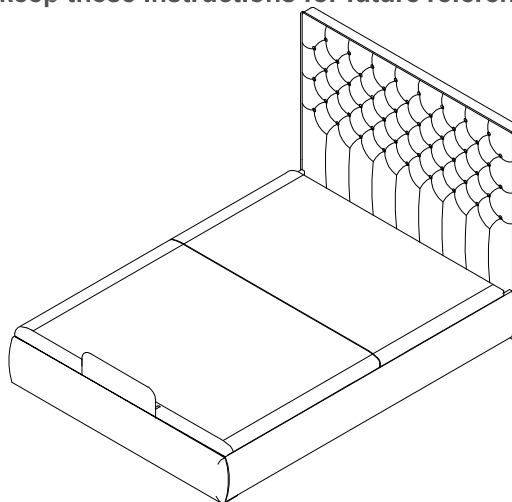


**APPROXIMATE  
ASSEMBLY TIME**

**SLEEPWAVE ADJUSTABLE STORAGE BEDFRAME  
1 END DRAWER 135 / 150 cm  
STK814701 / STK81402 / STK814703 / STK814704**

**Assembly Instructions**

Please keep these instructions for future reference.



Regrettably self-assembly items cannot be returned once assembly is part or fully completed unless the items are found to be faulty. Should you need to return the unassembled product, please repack in its original packaging.

**Important Information**

- We suggest you spend a short time reading through this leaflet and then follow the simple step-by-step instructions.
- Carefully check that you have all the parts before beginning assembly.
- Keep fittings out of children's reach and keep children well away from construction area.
- We suggest you retain these instructions for future reference.

**Product Information**

- Adjustable storage bed.
- Conforms to BSEN1725 Fabrics and Fillings to BS5852
- Electrical conformity (EMC) 2014/30/EU , (LVD) 2014/35/EU , (RED) 2014/53/EU , (RoHS) 2011/65/EU , (MD) 2006/42/EC

**Care Instructions**

- Avoid exposing the furniture to excessive heat or direct sunlight as this can cause deterioration of the color.
- Periodically check & re-tighten all fixings fastener.
- Periodically dust lightly with a clean soft cloth. We recommend hoovering to remove dust.
- Any spills should be removed immediately with a soft damp cloth.
- TAKE CARE WHEN MOVING THE FURNITURE AND TAKE CARE WHEN SPRAYING PERFUME AND DEODORANTS ETC AS THE VAPOUR CAN SETTLE ON THE FABRIC SURFACE AND CASE DAMAGE.
- NEVER DRAG THE PIECES ACROSS THE FLOOR, AS THIS WILL CAUSE DAMAGE TO THE JOINTS.

**ATTENTION! PLEASE NOTE:**

In the event you are experiencing any technical difficulties and you require additional assistance/ support with your product 'Mechanical/ Electrical' function - Please visit:

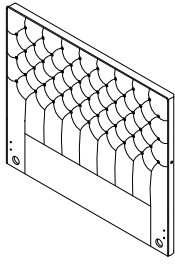
SUPPORT EMAIL: [support@bssbfurnitureinnovation.com](mailto:support@bssbfurnitureinnovation.com)

UK PRODUCT SUPPORT HOTLINE : 01462600064

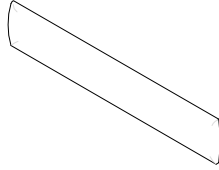
Contact your retailer for all other issues such as damage, missing or faulty components ( non electrical ) or anything else of a non technical/electrical nature.

## Components of Carton 1

(A) Headboard x 1

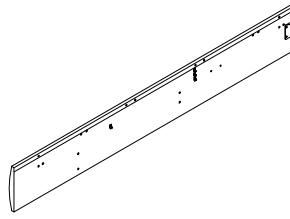


(B) Footboard x 1

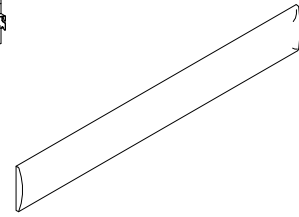


## Component of Carton 2

(C) Side Rail Left  
x 1

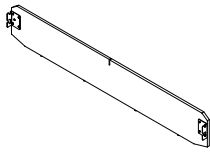


(D) Side Rail Right  
x 1

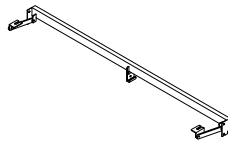


## Components of Carton 3

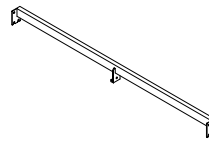
(E) Centre Panel Support  
x 1



(F) Front Metal Cross Rail  
With Arm  
x 1



(G) Back Metal Cross Rail  
x 1



(H) Metal bracket left  
x 2



(I) Metal bracket right  
x 2



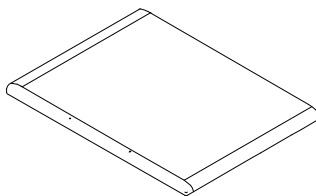
(J) Mattress Stopper With Pocket  
x 1



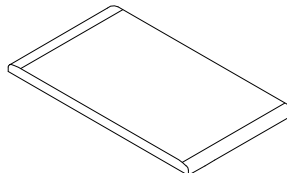
Hardware  
Bag

## Components of Carton 4

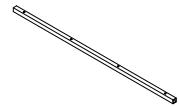
(K) Foot - Motion Base x 1



(L) Head - Motion Base x 1

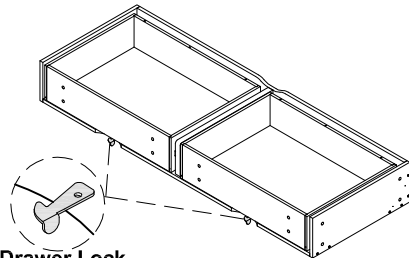


(M) Head End Cross Rail  
x 1



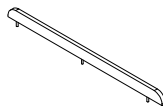
## Components of Carton 5

(N) Drawer Case x 1



Drawer Lock

(O) Drawer Fencing Panel  
x 2



(P) Drawer leg x 2

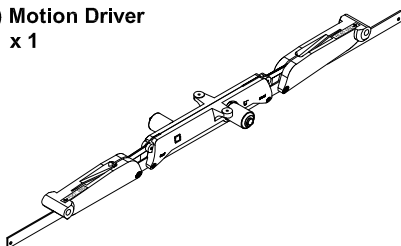


(Q) Drawer Center Leg x 1

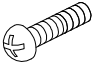
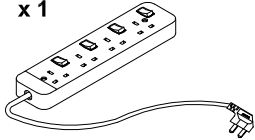
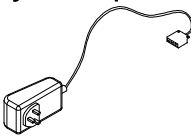


## Components of Carton 6

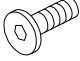
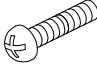
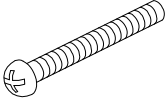
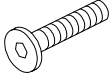


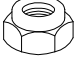
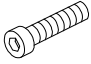
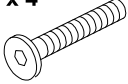
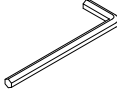



(R) Motion Driver  
x 1



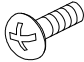
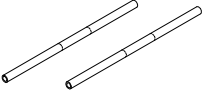
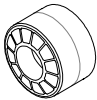
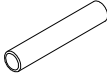

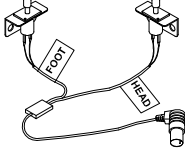
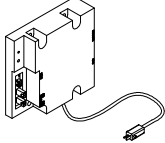
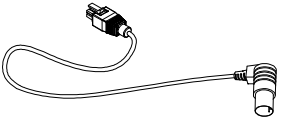
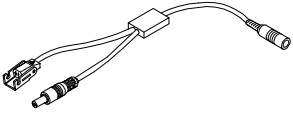
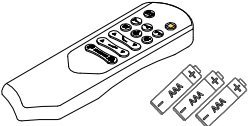
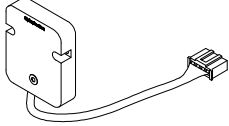
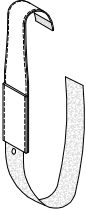
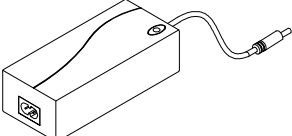
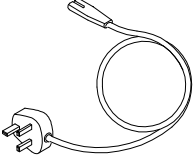
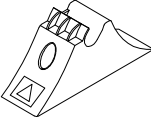
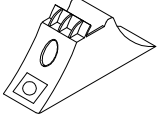
### Hardware List (in Carton 1)

<p>(S) PH M8 x 25mm x 4 (Pre-Installed)</p> 	<p>(T) 4 Way Extension Socket x 1</p> 	<p>(U) 3 way AC Adaptor x 1</p> 	
---	---	--	--

### Hardware List (in Carton 3)

<p>(V) ALLEN HEAD M8 x 15mm x 38</p> 	<p>(W) PH M8 x 35mm x 12</p> 	<p>(X) PAN HEAD M8 x 60mm x 1</p> 	<p>(Y) ALLEN HEAD M8 x 30mm x 10</p> 
<p>(Z) FLAT WASHER M8 x 18mm x 4</p> 	<p>(ZA) SPRING WASHER M8 x 14mm x 2</p> 	<p>(ZB) M8 LOCK NUT x 2</p> 	<p>(ZC) ALLEN HEAD M6 x 30mm x 8</p> 
<p>(ZD) ALLEN HEAD M8 x 40mm x 4</p> 	<p>(ZE) ALLEN KEY M5 x 1</p> 	<p>(ZF) SPANNER (13mm) x 1</p> 	<p>(ZG) Screw Driver x 1</p> 
<p>(ZH) FLAT WASHER M8 x 22mm x 8</p> 			

### Hardware List (in Carton 5)

<p>(ZI) PH SELF TAPPING SCREW M4 x 10mm x 2 (Pre-Installed)</p> 	<p>(ZJ) ROUND TUBE x 2</p> 	<p>(ZK) ROLLER x 4</p> 	<p>(ZL) MAXI BAR x 2</p> 
<p>(ZM) ROLLER CAP x 2</p> 	<p>(ZN) MOTION LIMIT SWITCH x 1</p> 	<p>(ZO) MOTION MAIN CONTROLLER x 1</p> 	<p>(ZP) CABLE x 1</p> 
<p>(ZQ) 'Y' POWER CABLE x 1</p> 	<p>(ZR) WIRELESS REMOTE CONTROL x 1 BATTERIES x 3</p> 	<p>(ZS) VOICE RECEIVER &amp; CONTROLLER x 1</p> 	<p>(ZT) REMOTE &amp; VOICE CONTROL POCKET x 1</p> 
<p>(ZU) POWER ADAPTOR x 1</p> 	<p>(ZV) AC POWER CORD x 1</p> 	<p>(ZW) ROUND TUBE HOLDER LEFT x 1</p> 	<p>(ZX) ROUND TUBE HOLDER RIGHT x 1</p> 

## Tips before you start!

1. Please check that all parts are present before you start the assembly of your furniture.
2. Before starting the assembly please decide which side you wish to have the **remote & voiced control pocket**.
3. For ease and speed of assembly, we recommend that before you commence each step of the assembly, that you identify all the parts required for that step.
4. For larger items, please ensure that you have sufficient space and people (as indicated on page 1) to assemble your product safely. (Minimum Two Persons)
5. We recommend where possible, all items are assembled near to the area where they will be placed in use, to avoid moving the product unnecessarily once assembled.
6. Please ensure that your bed is placed on a level floor area. (Avoid setting up and installing your bed on uneven floor surface.
7. For the protection of your furniture, we recommend that the product is placed on a protected surface during assembly to prevent any damage.
8. During assembly please take care not to over-tighten any fittings, as this may damage the product.
9. Please ensure the motion bed is assembled as close as possible to the power supply source.

## Care and Maintenance of your Furniture

- Please periodically check all fittings and re-tighten as necessary.
- To clean your item, please use a soft damp cloth and wipe clean.
- Please do not jump on your furniture.
- Never allow any kind of liquid to remain on your furniture. This can cause finishes to de-laminate. Take care when spraying Perfume and deodorants etc as the vapour can settle on the fabric surface and cause damage.
- It is important to Never Drag your bed as this can cause damage to the joints and the fixings. This may invalidate your guarantee.
- The bed should always be lifted into position or if moved for cleaning.

### ATTENTION! PLEASE NOTE:

In the event you are experiencing any technical difficulties and you require additional assistance/ support with your product 'Mechanical/ Electrical' function - Please visit:

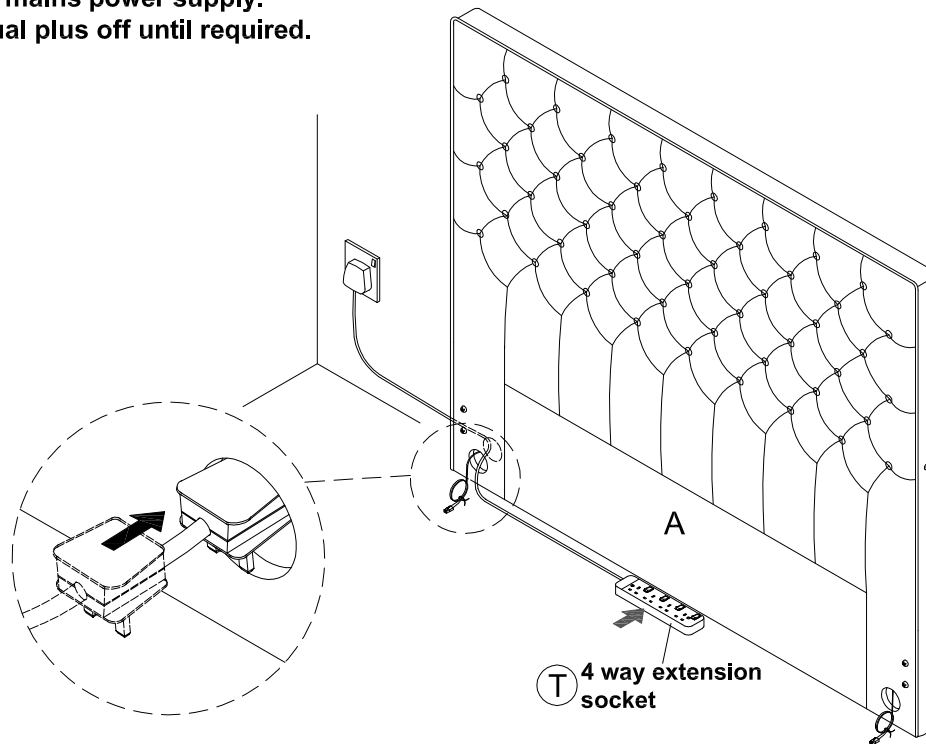
SUPPORT EMAIL: [support@bssbfurnitureinnovation.com](mailto:support@bssbfurnitureinnovation.com)

UK PRODUCT SUPPORT HOTLINE : 01462600064

Contact your retailer for all other issues such as damage, missing or faulty components ( non electrical ) or anything else of a non technical/electrical nature.

## Step 1

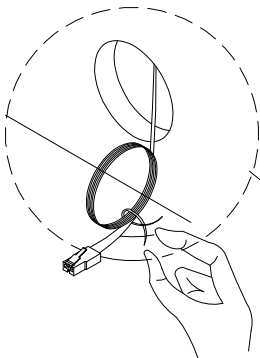
- The headboard will be against the wall.
- Pass the 4 way extension power socket cable (T) through the cable holes located at both side of the headboard as shown.
- Connect the 4 way extension power socket cable (T) to a working mains power supply.
- Switching on the mains power supply.
- Keep the individual plus off until required.



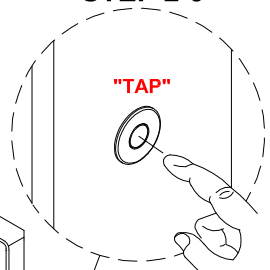
## Step 2

- Untie the touch sensor switch male connector located at both side of the headboard.
- Insert male the connector to the 3 way AC adaptor (U), then plug into the extension sockets and switch on the power supply as shown.
- Touch the switch sensor located in the headboard to switch on the LED light as shown.

### STEP 2-1

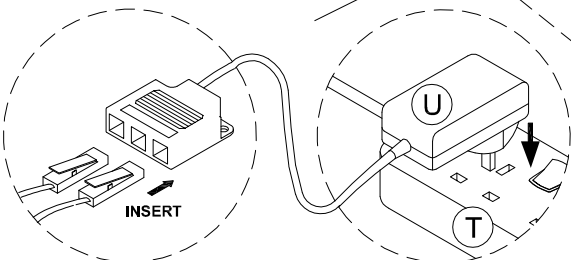


### STEP 2-3



ON / OFF  
( QUICK "TAP" )  
BRIGHT / DIM  
( LONG PRESS  
ONCE "ON" )

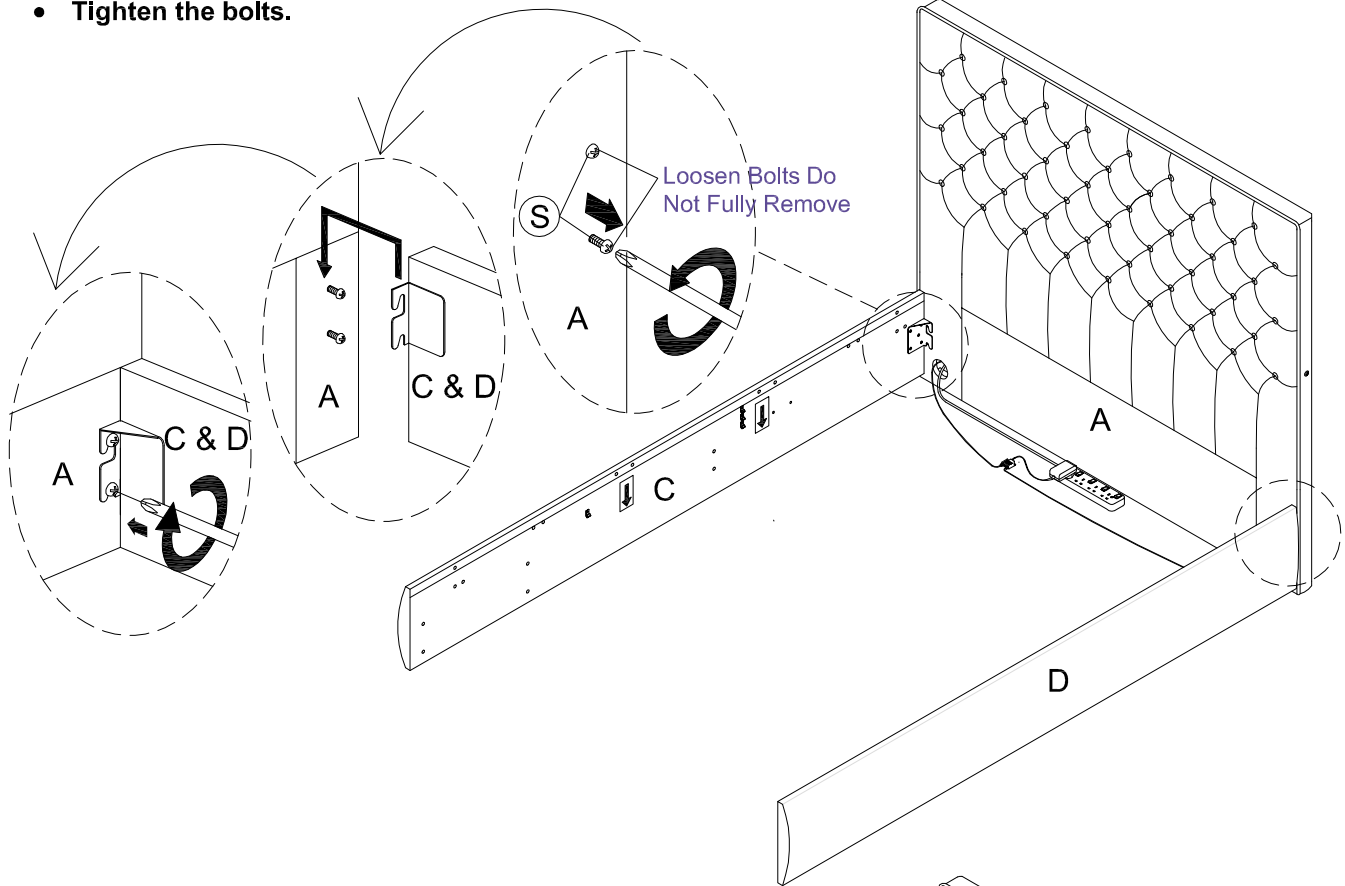
### STEP 2-2



INSERT THE 2 MALE CONNECTOR TO  
THE 3 WAY AC ADAPTOR.  
(ANY PORT IT DOESN'T MATTER)

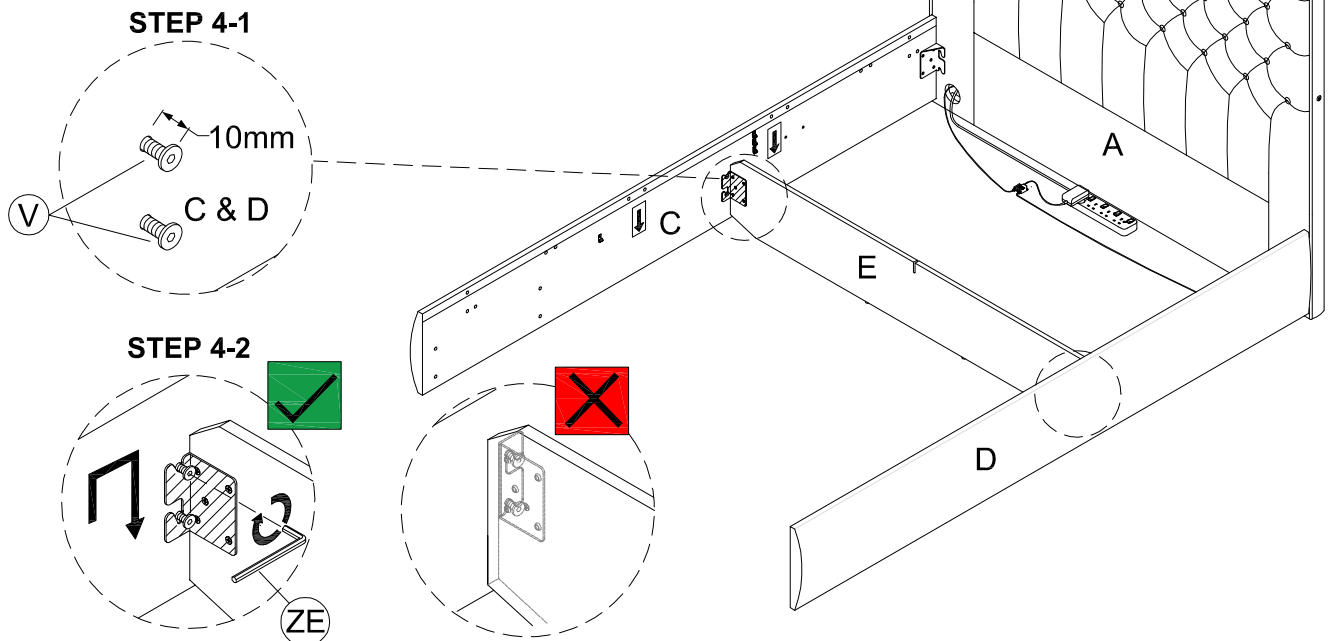
### Step 3

- Loosen the bolts located in the head end.
- Please note these should only be loosened and **NOT** removed.
- Hook the side rail brackets over the bolts on both sides.
- Tighten the bolts.



### Step 4

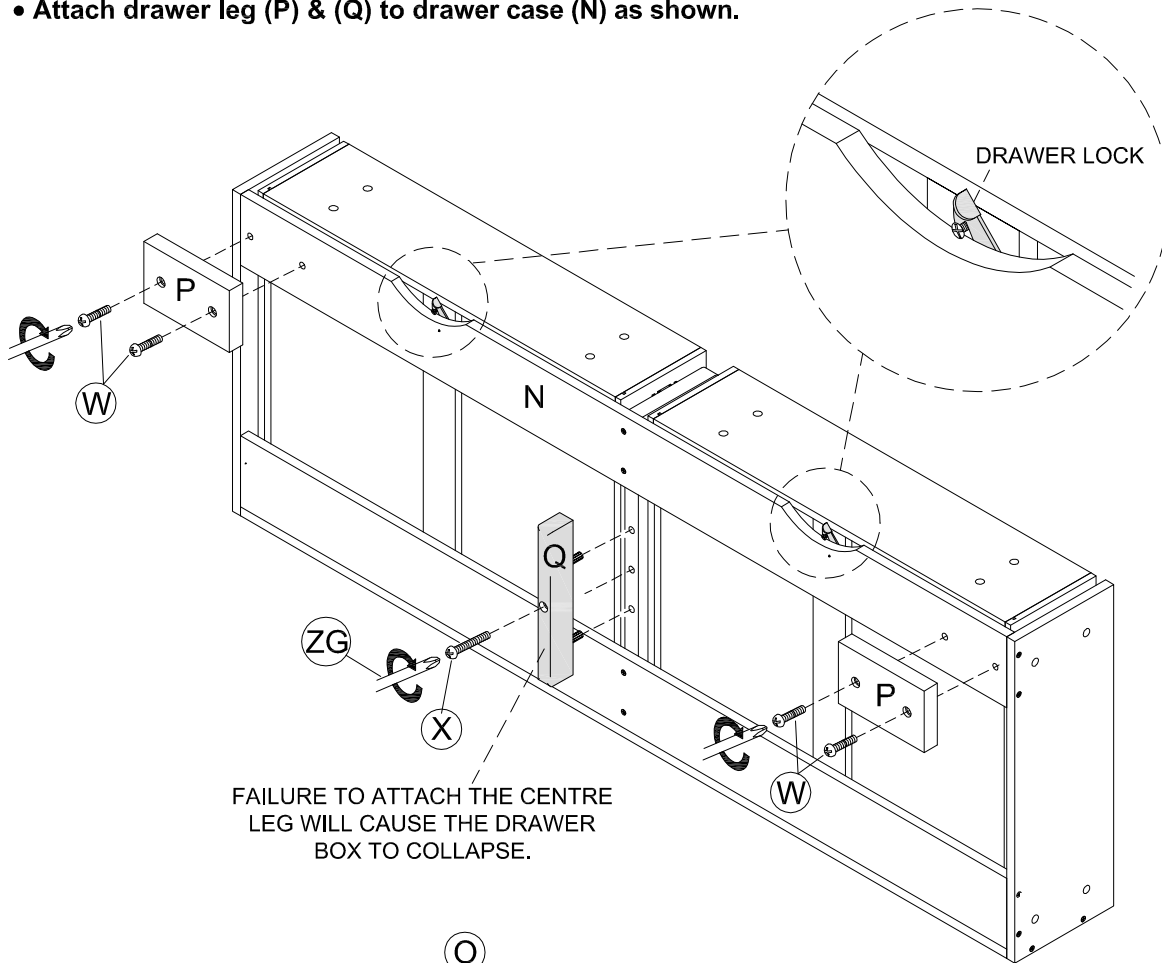
- Fix the bolts (V) to the side rail left (C) & side rail right (D).
- Place the centre panel support (E) to the side rail as shown.
- Hook side rail over the centre panel support (E) as shown.
- Leave bolts (V) finger tight (Do Not Tighten).



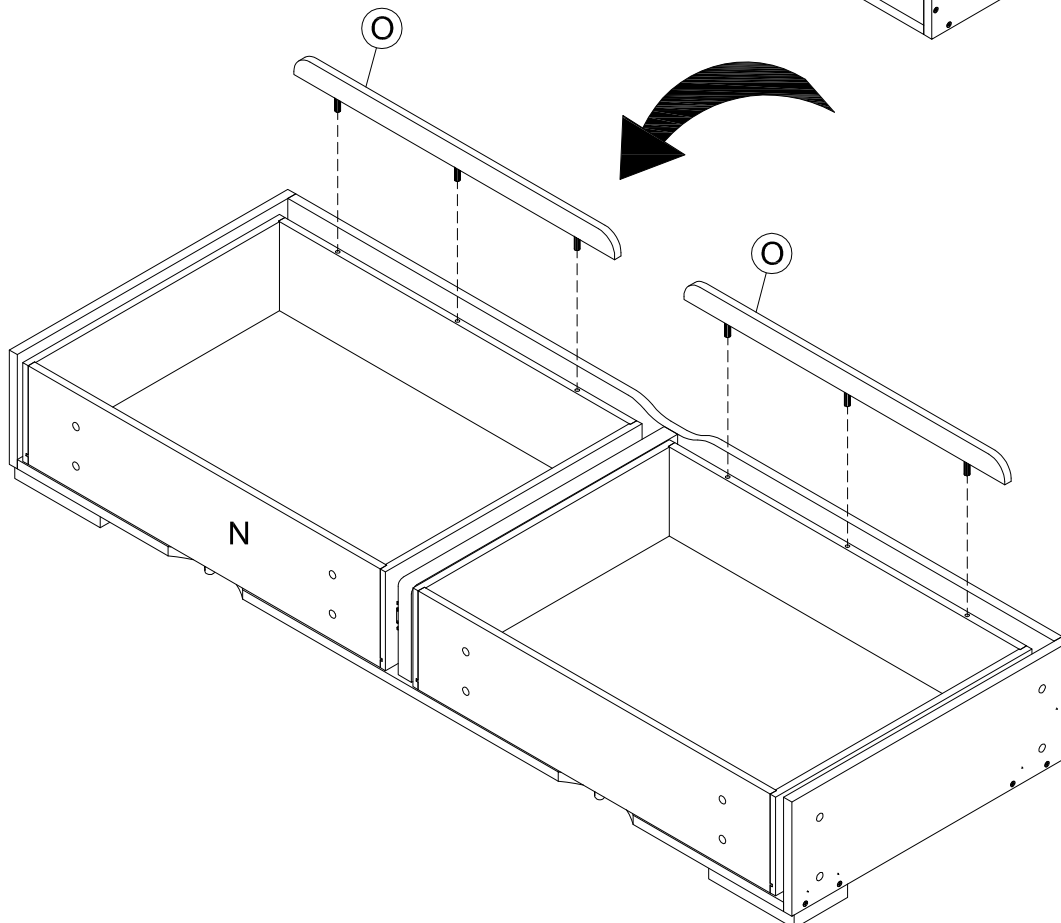
Hook bracket facing Foot end. Hook bracket facing Head end.

## Step 5

- Attach drawer leg (P) & (Q) to drawer case (N) as shown.

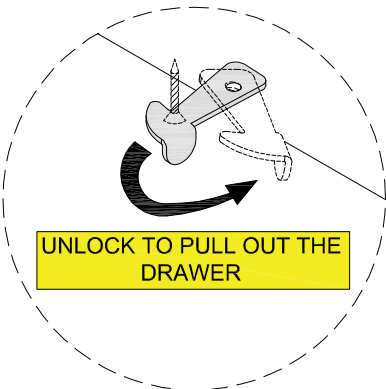
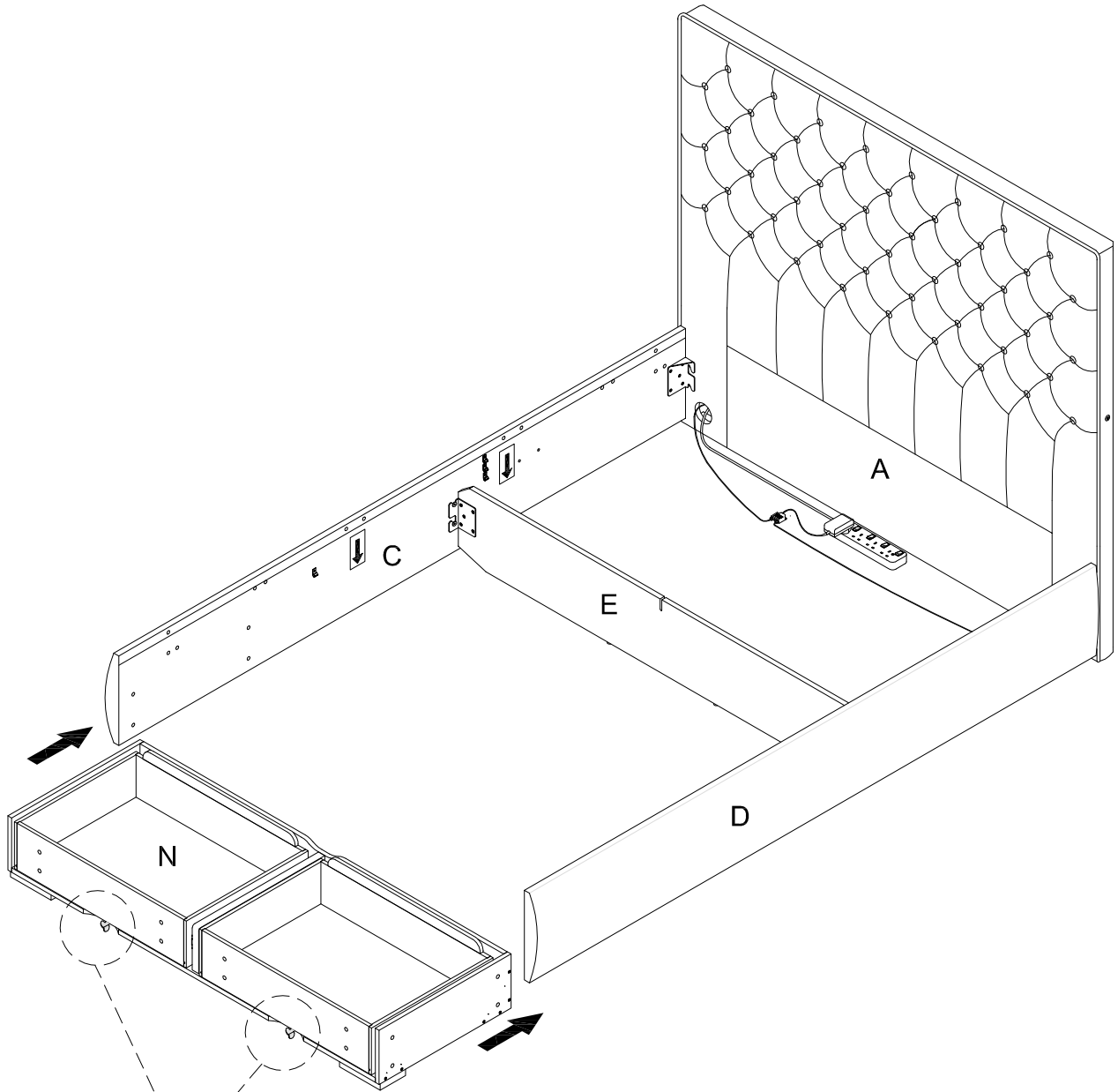


FAILURE TO ATTACH THE CENTRE LEG WILL CAUSE THE DRAWER BOX TO COLLAPSE.



## Step 6

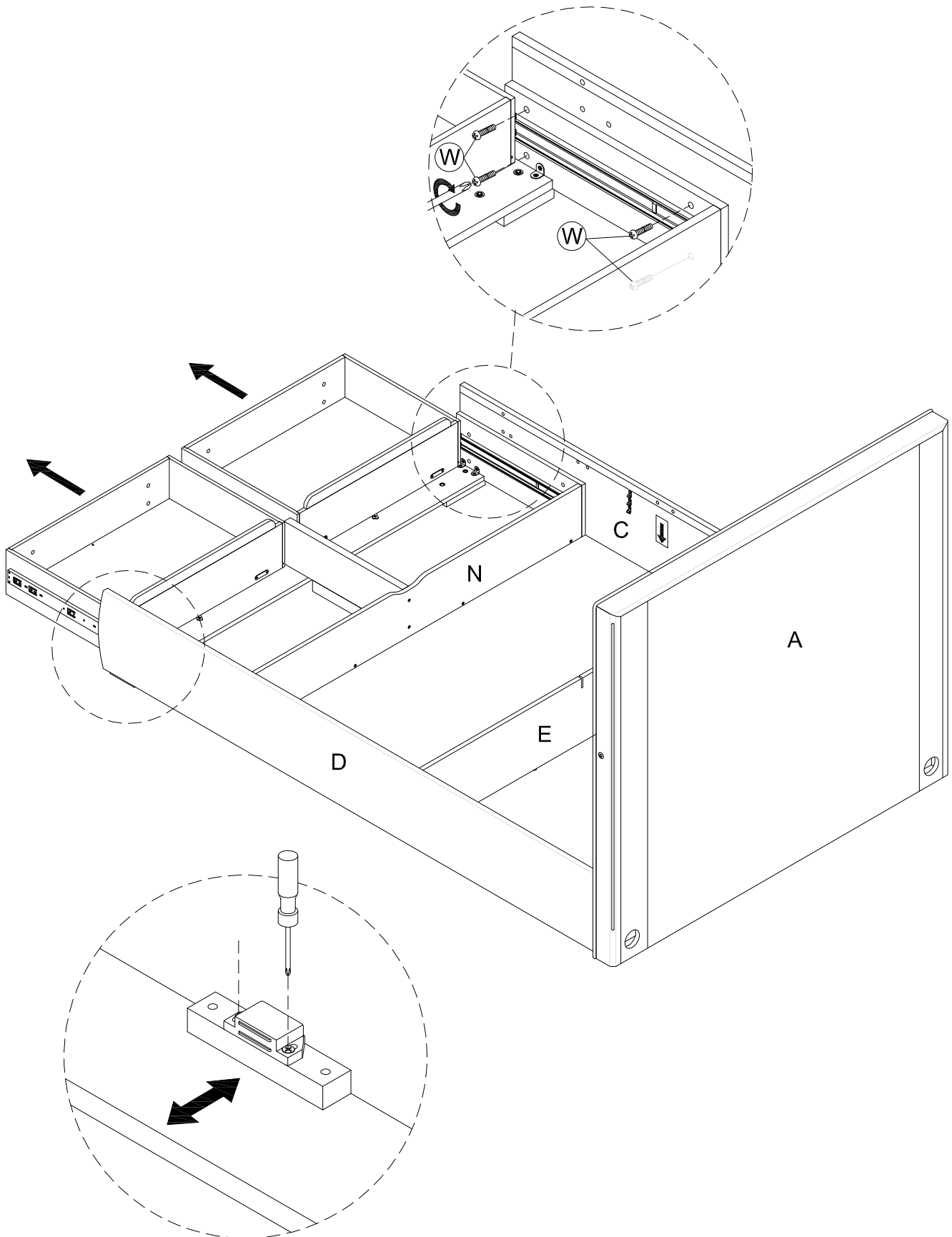
- Attach the drawer base (N) to the side rail as shown.





## Step 7

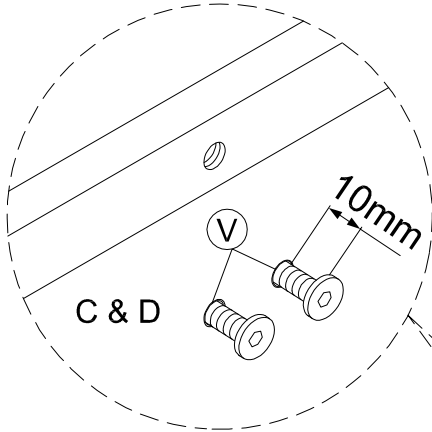
- Unlock the drawer. Pull out the drawer box as shown and fix with the bolt provided (W) into the pre-drilled hole to the side rail tightly.
- The magnetic catch can be adjusted by unscrewing and moving forward or backward.



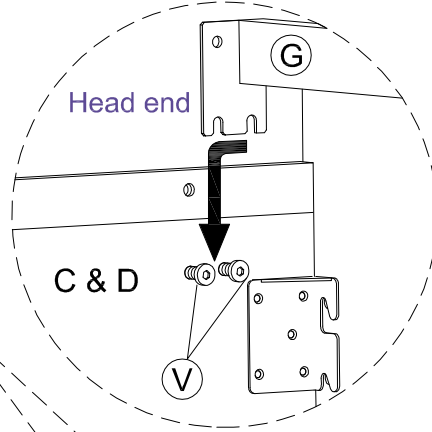
## Step 8

- Fix bolts (V) with finger (approximate 10mm) to the side rail (C) & (D) as shown (Step 8-1).
- Hook the back metal cross rail (G) to the side rail as shown (Step 8-2).
- Tighten the back metal cross rail (G) with the bolts (V) as shown (Step 8-3).
- Tighten the centre panel support (E) with the bolts (V) as shown (Step 8-4).

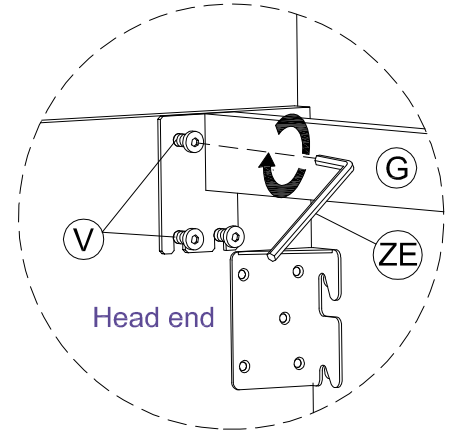
### Step 8-1



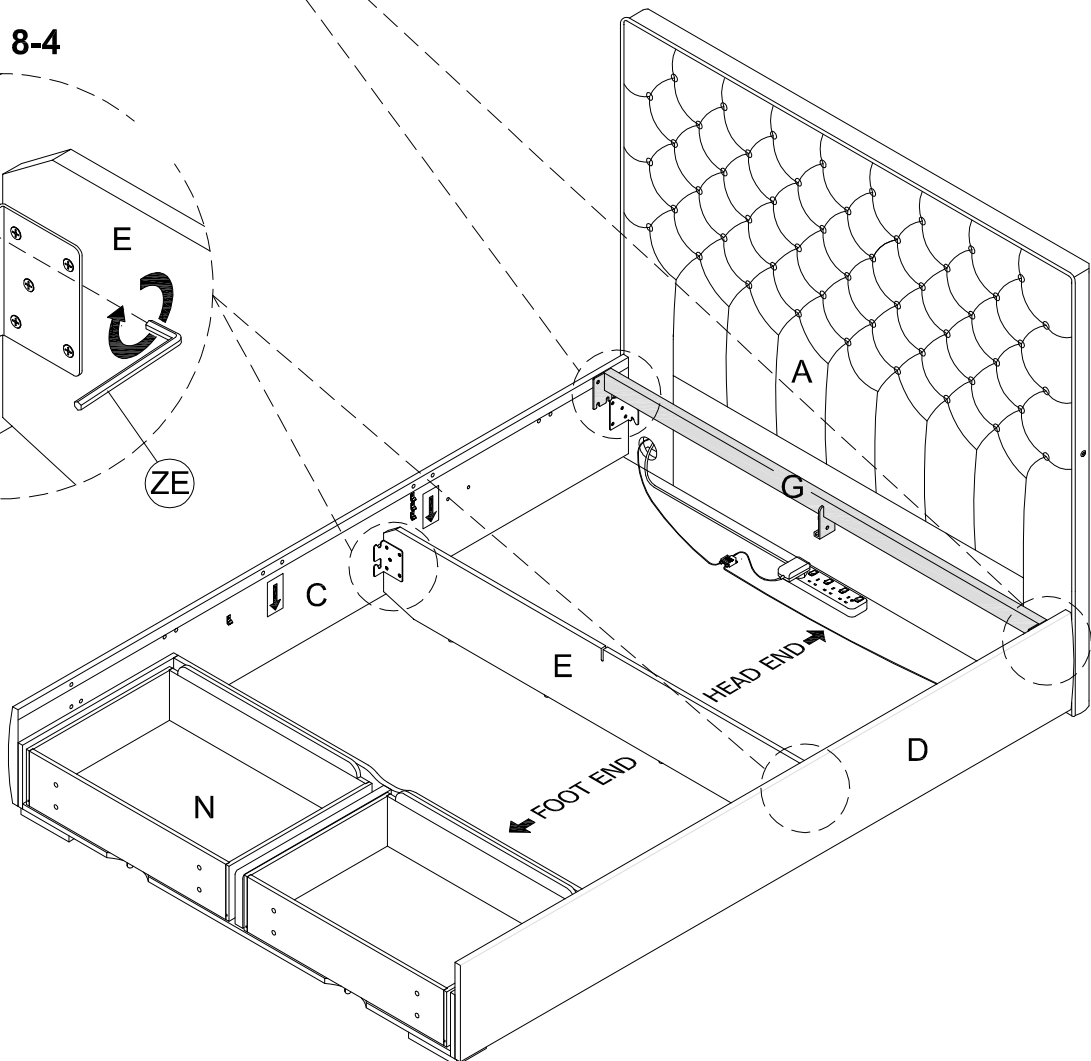
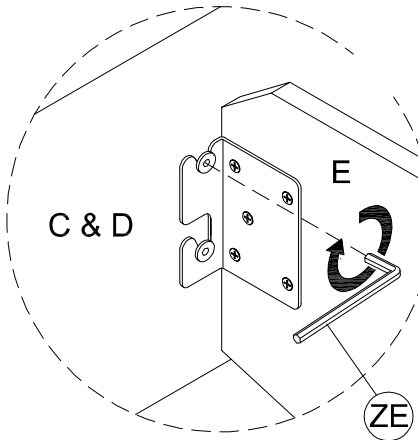
### Step 8-2



### Step 8-3



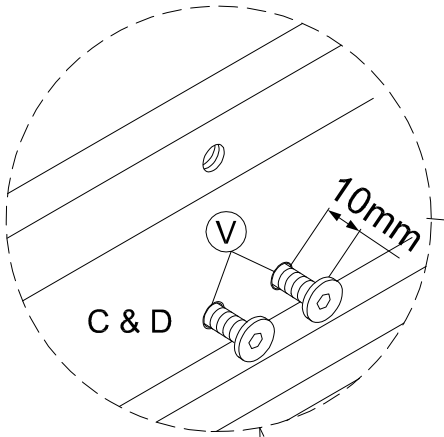
### Step 8-4



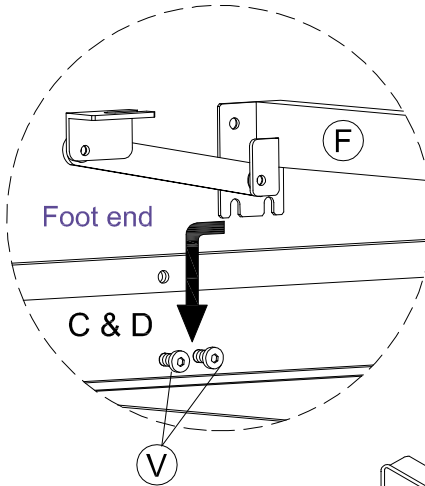
## Step 9

- Fix bolts (V) with finger (approximate 10mm) to the side rail (C) & (D) as shown (Step 9-1).
- Hook the front metal cross rail (F) & back metal cross rail (G) to the side rail as shown (Step 9-2).
- Tighten the metal cross rail (F) & (G) with the bolts (V) as shown (Step 9-3).

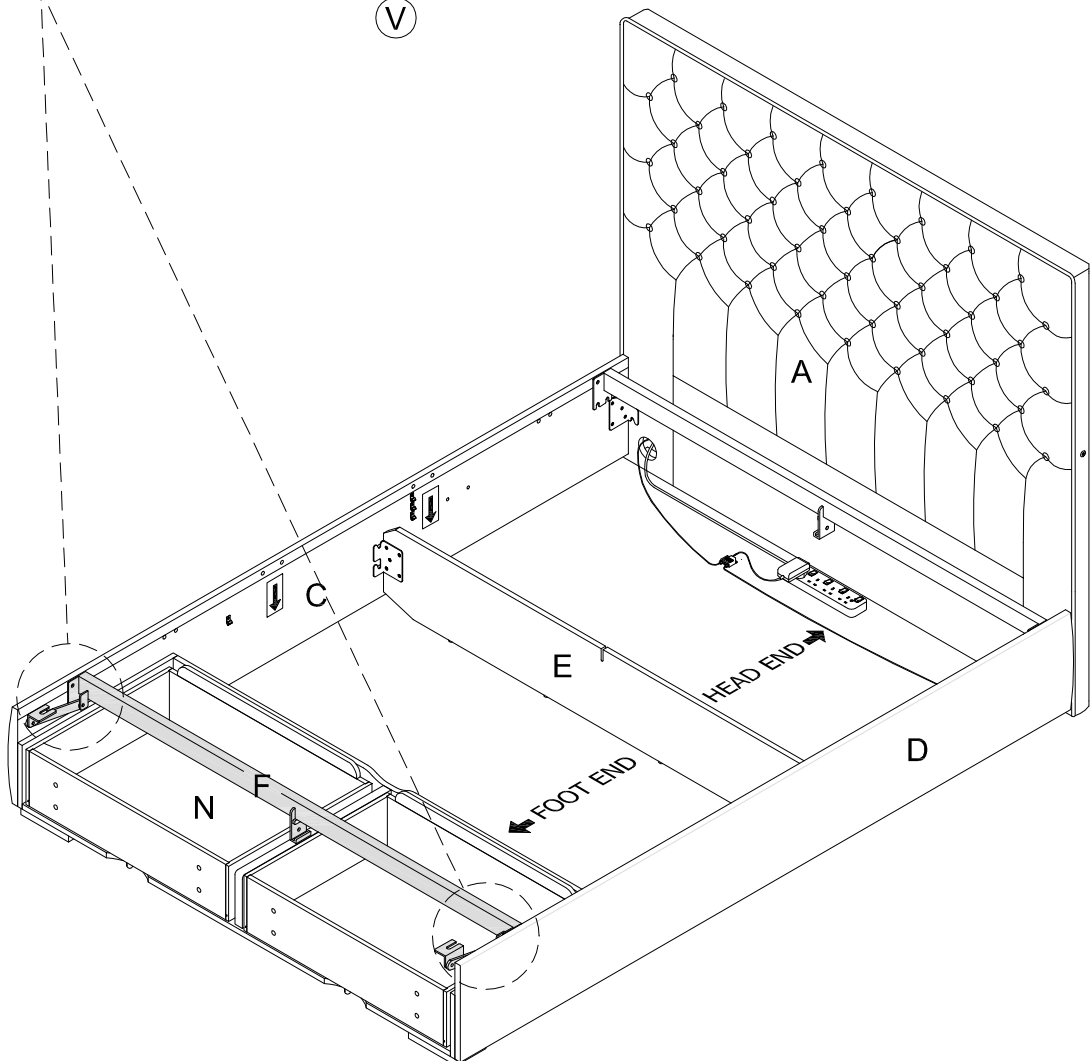
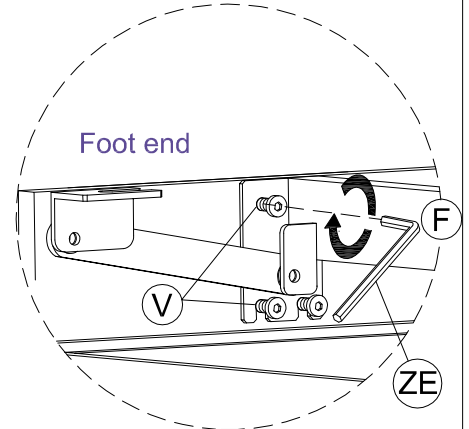
### Step 9-1



### Step 9-2

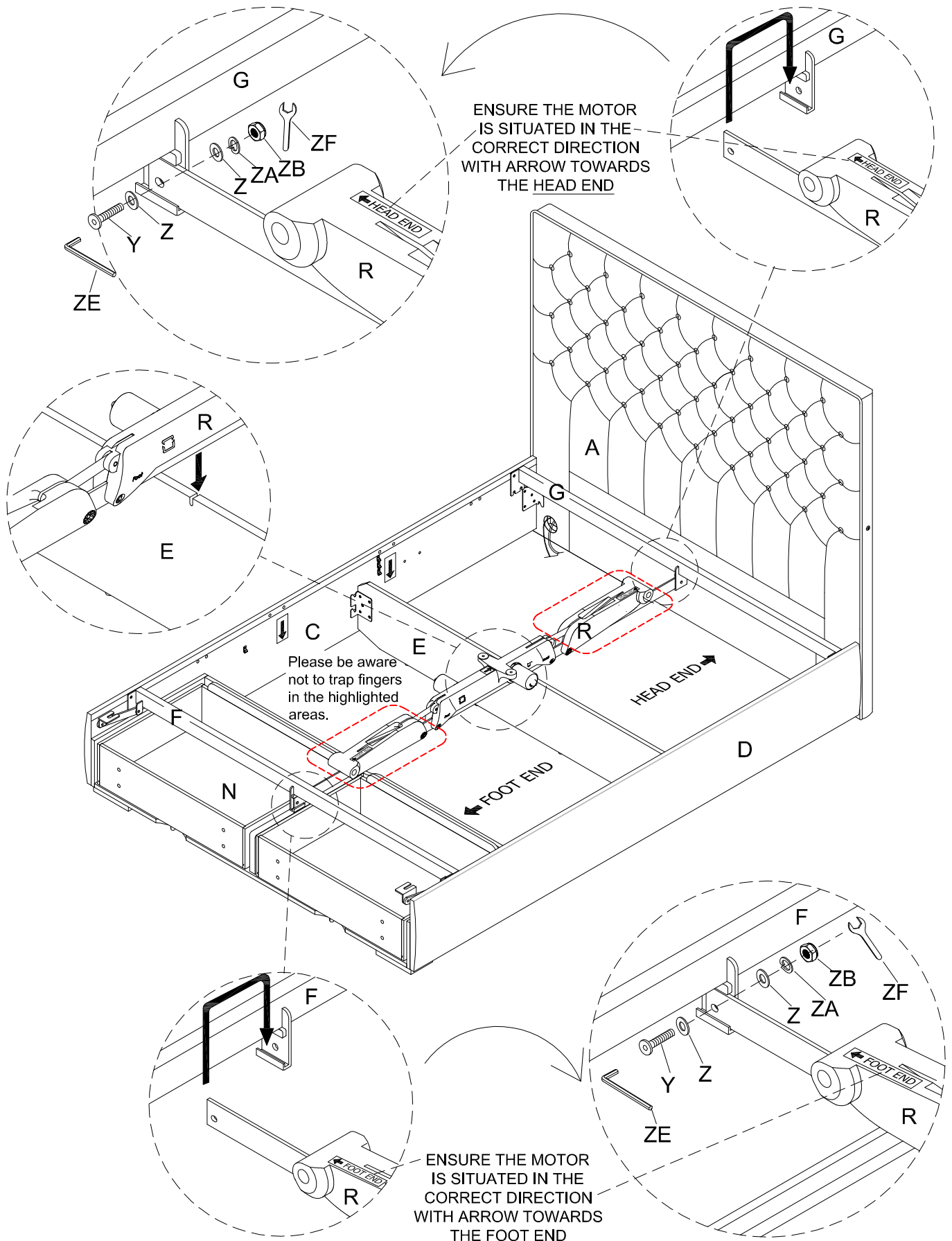


### Step 9-3



## Step 10

- Attach the Motion driver (R) to the metal cross rail (F) & (G) as shown.
- The Motion driver (R) must slot in the groove in centre panel support (E).
- The Motion driver (R) must follow the Head end & Foot end marking.
- Fix the Motion driver (R) with bolt (Y), Washer (Z) & (ZA) & Lock nut (ZB) as shown.

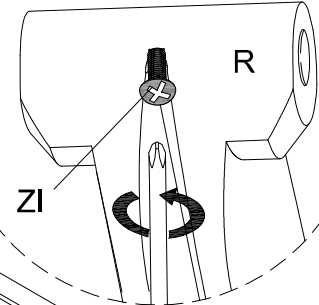


## Step 11

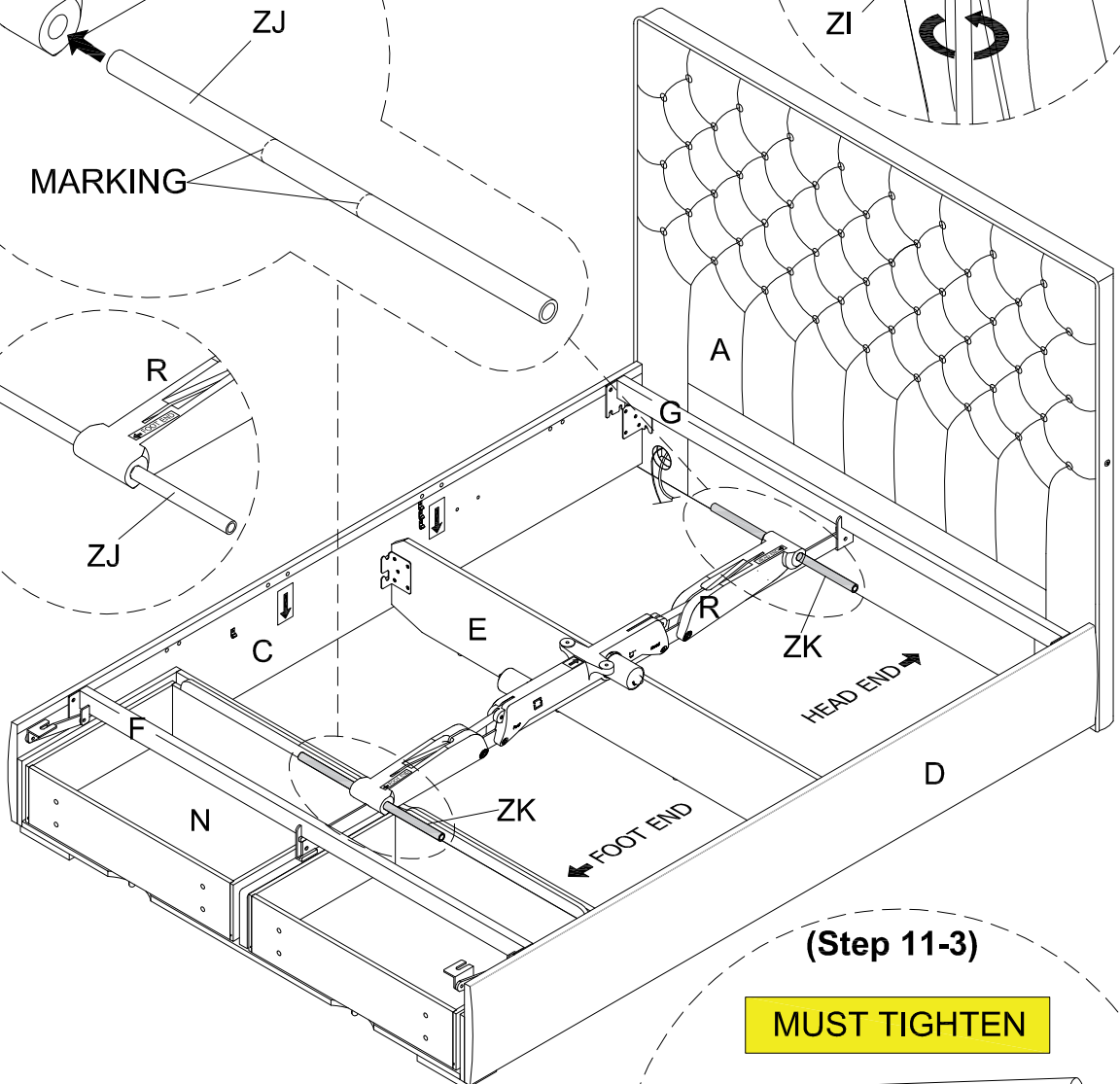
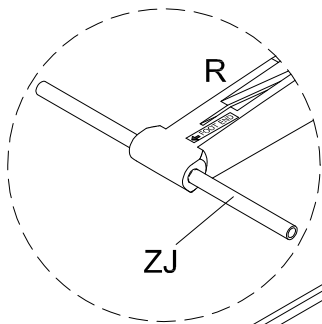
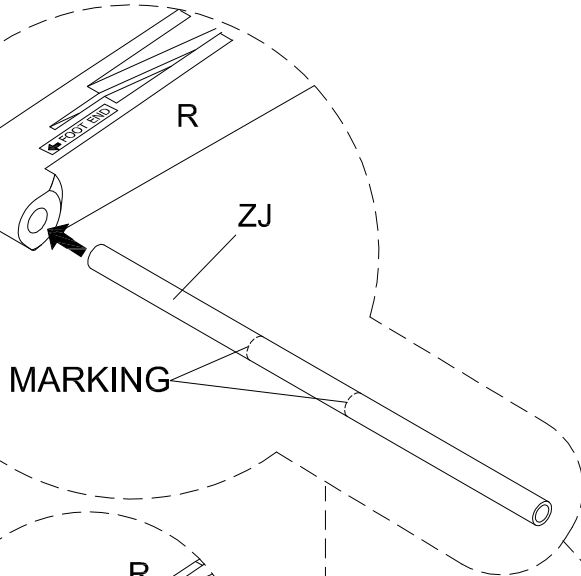
- Loosen the bolts (ZI) at the underside of motion driver (R) as shown (Step 11-1).
- Insert the round tube (ZJ) to the middle of motion driver (R) follow the marking as shown (Step 11-2).
- Lift up the driver & tighten both side the bolt (ZI) pre-attach to the bottom of motion driver (R) as shown (Step 11-3).

(Step 11-1)

LOOSEN FIRST

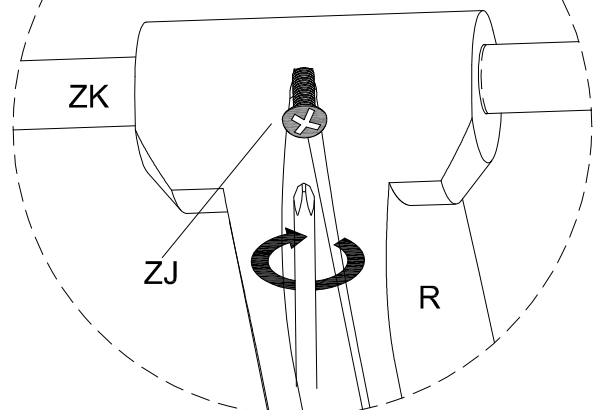


(Step 11-2)



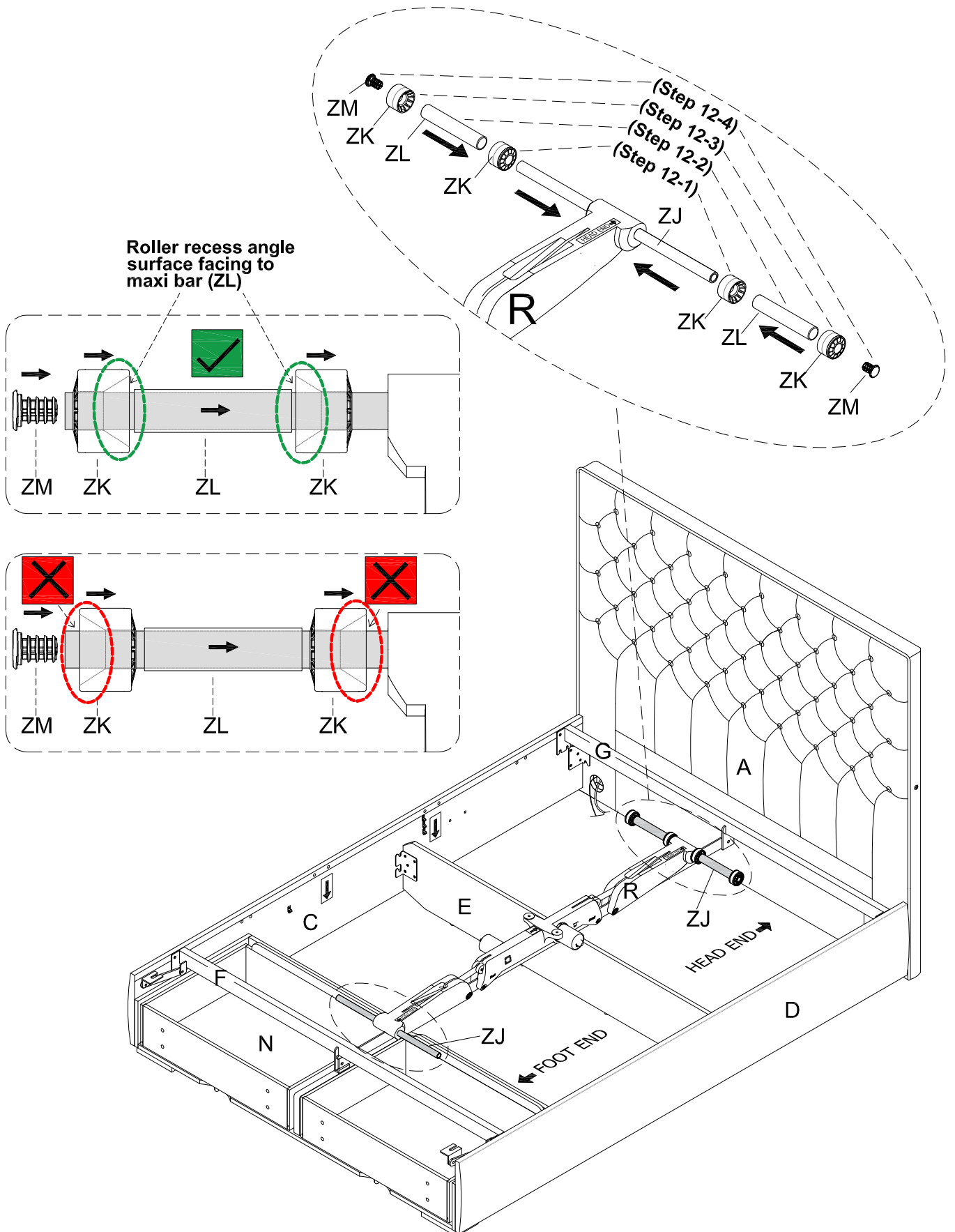
(Step 11-3)

MUST TIGHTEN



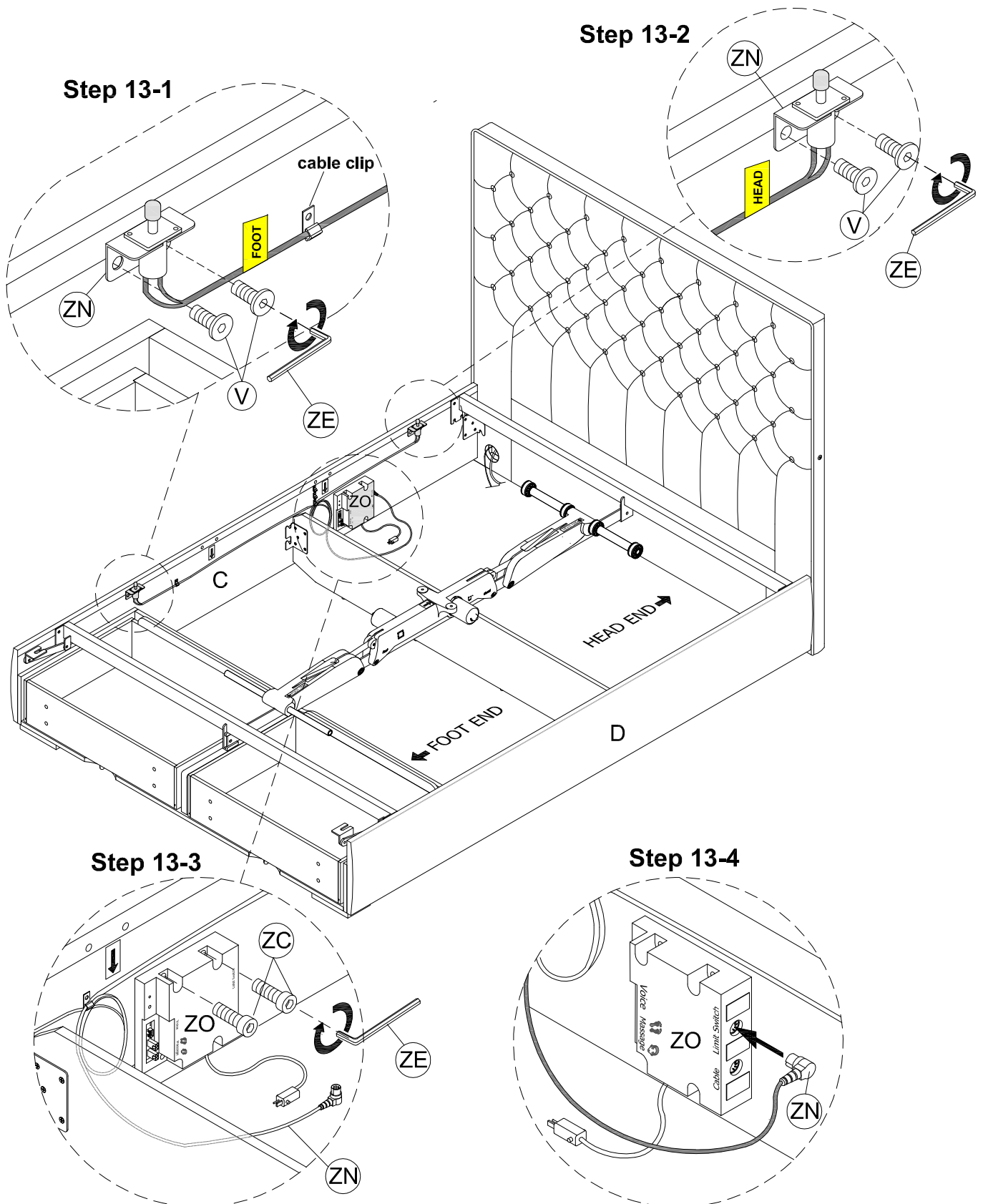
## Step 12

- Insert the roller (ZK) to the round tube (ZJ) as shown (step 12-1).
- Insert the maxi bar (ZL) to the round tube (ZJ) as shown (step 12-2).
- Insert the roller (ZK) to the maxi bar (ZL) as shown (step 12-3).
- Insert the roller cap (ZM) to the roller (ZK) as shown (step 12-4).



## Step 13

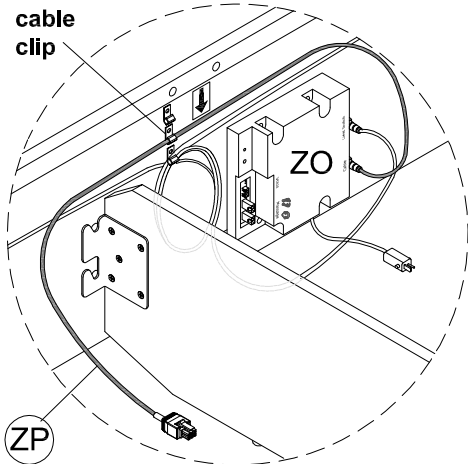
- Before assemble the **motion limit switch (ZN) & motion main controller (ZO)**, please decide which side of side rail you want to hang the remote & voiced control pocket, then place it at that side
- Attach the motion limit switch(ZN) follow the label (FOOT / HEAD) to the side rail (C) with bolts (V) as shown (Step 13-1) & (Step 13-2).
- Place the cables through the cable clip pre-attach on the side rail as shown.
- Attach the motion main controller (ZO) to the side rail (C) with bolts (ZC) as shown (Step 13-3).
- Plug in the motion limit switch socket (ZN) to the motion main controller (ZO) as shown (Step 13-4).



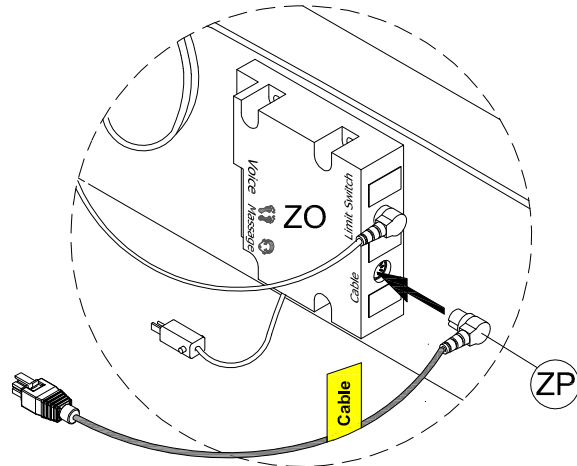
## Step 14

- Connect the cable (ZP) to the motion main controller (ZO) and motion driver (R) as shown (Step 14-1), (Step 14-2) & (Step 14-3).
- Place the cables through the cable clip pre-attach on the side rail as shown.

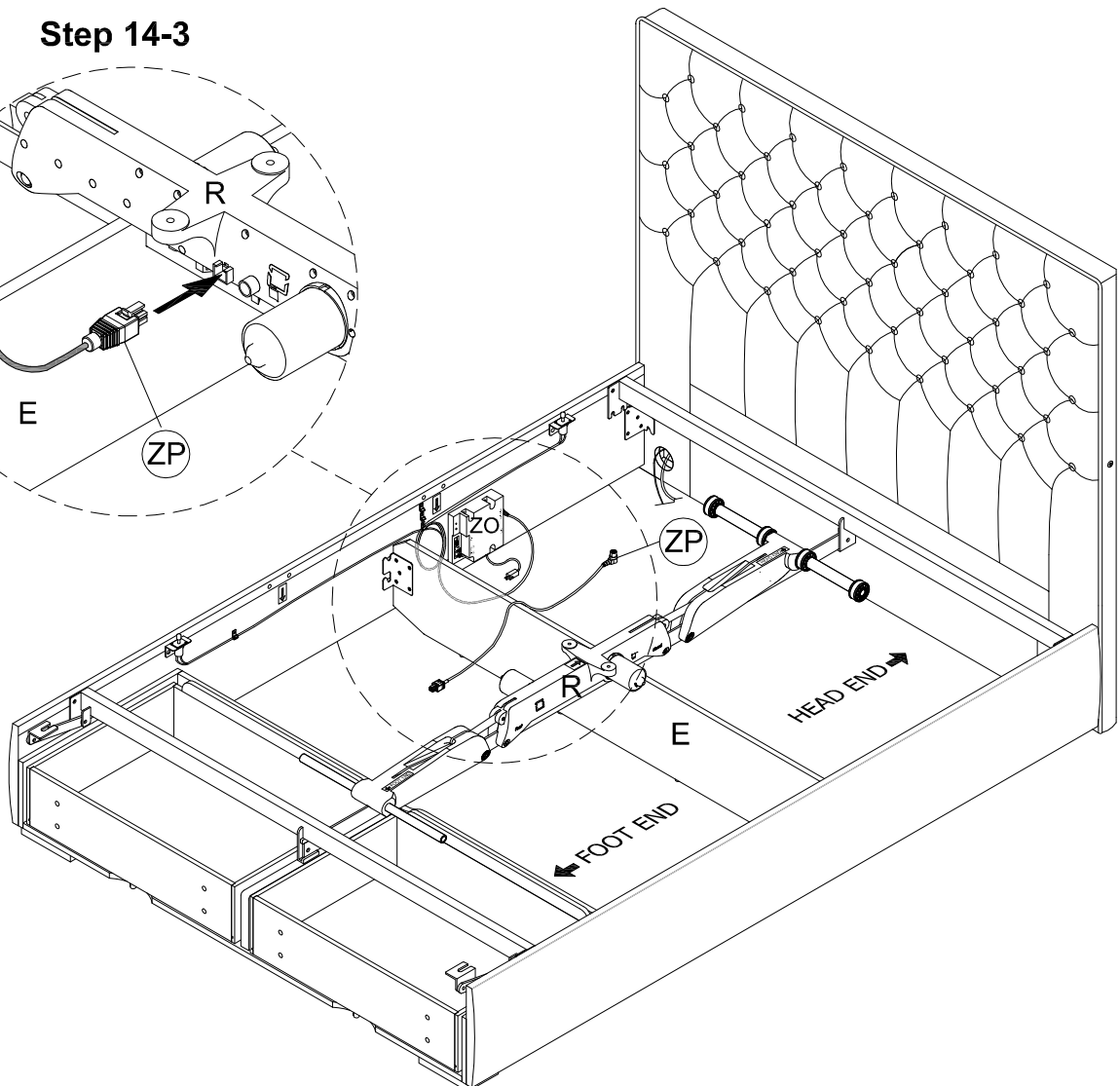
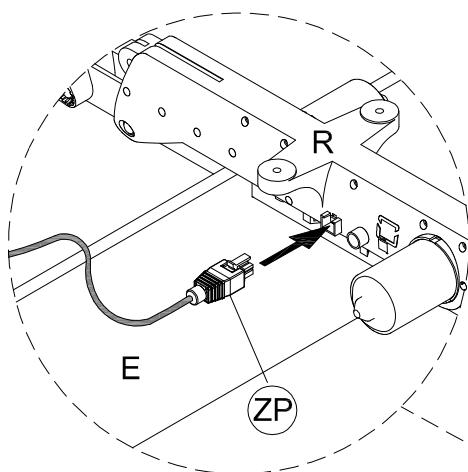
### Step 14-2



### Step 14-1



### Step 14-3

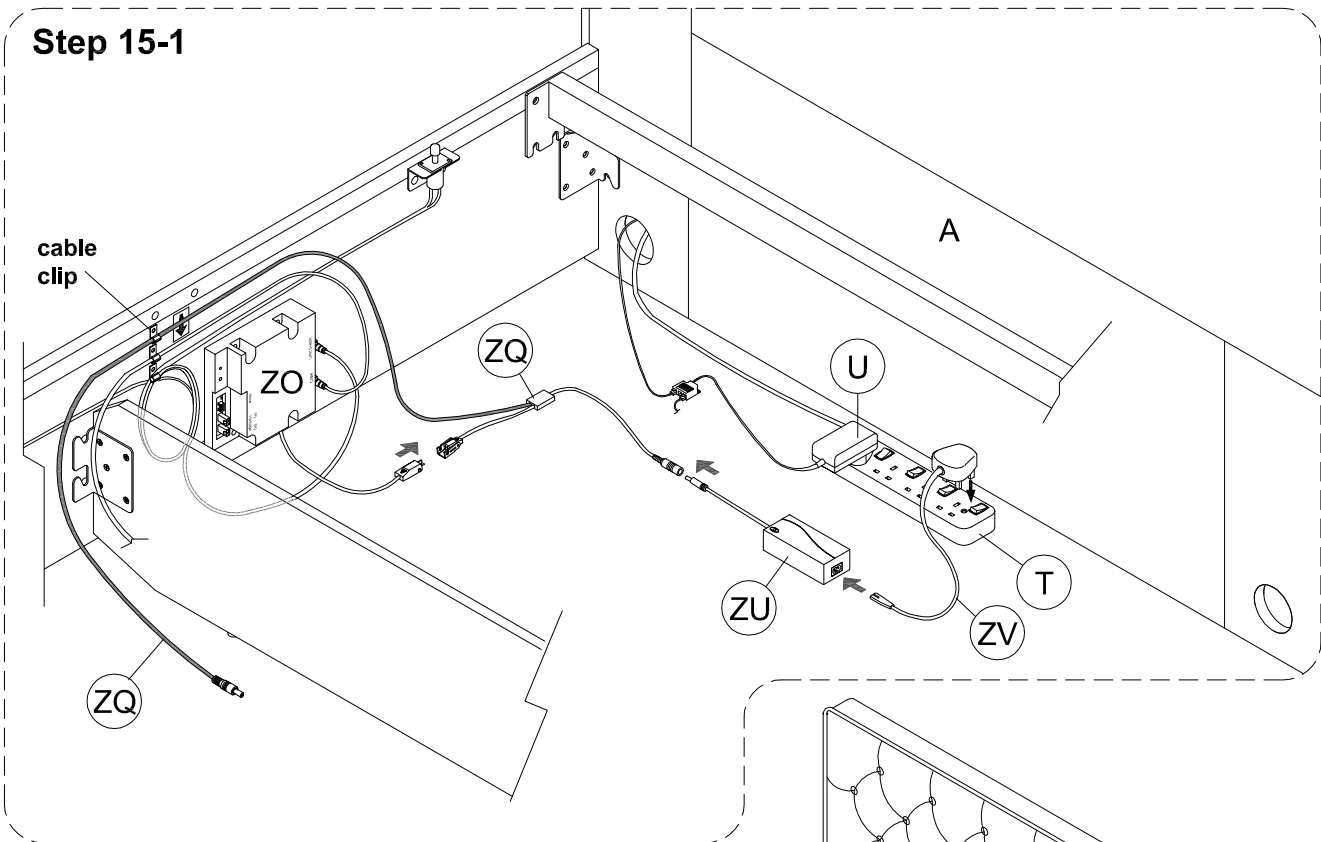




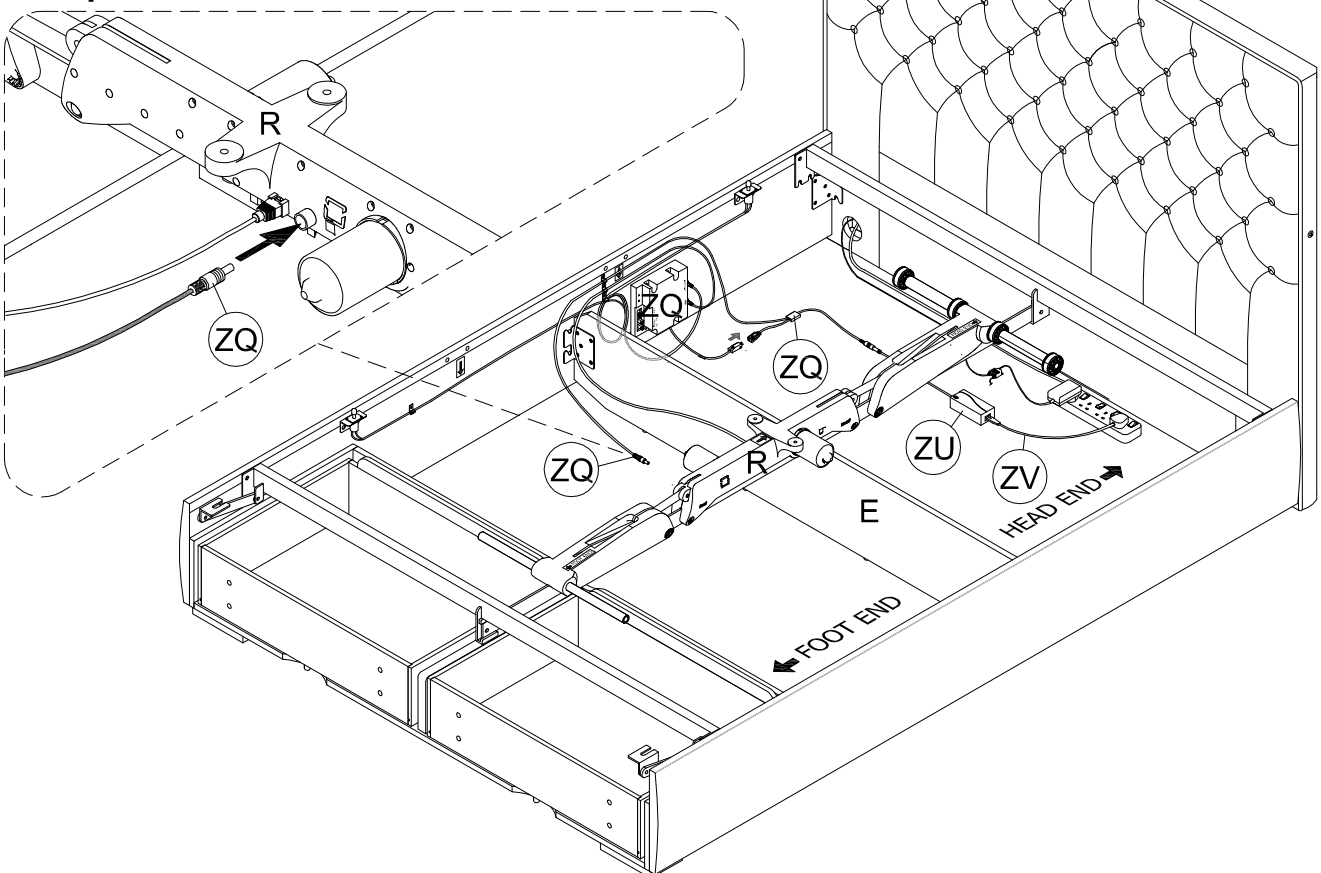
## Step 15

- Connect the AC power cord (ZV) to the power adaptor (ZU) and 4 way extension socket (T) as shown (Step 15-1), Ensuring the extension plug socket is switched to off until required.
- Connect the "Y" power cable (ZQ) to the power adaptor (ZU), motion main controller (ZO) and motion driver (R) as shown (Step 15-2).
- Place the cables through the cable clip pre-attach on the side rail as shown.

### Step 15-1



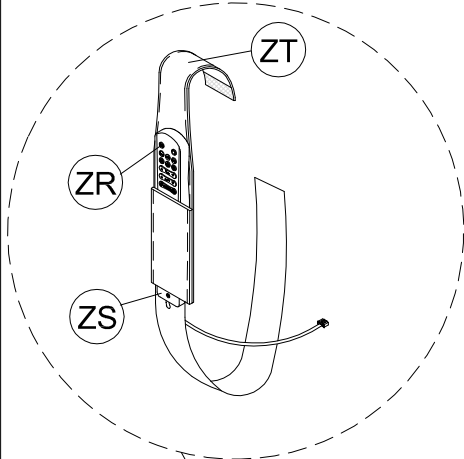
### Step 15-2



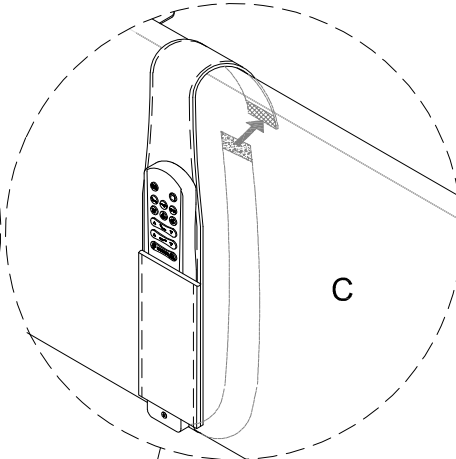
## Step 16

- Place the wireless remote control & voice control pocket (ZR) ,(ZS),(ZT) wrap up to the side rail (C) tighten with Velcro as shown in (Step 16-1) & ( Step 16-2).
- Connect the voice receiver controller (ZS) cable to the motion main controller (ZO) as shown (Step 16-3).

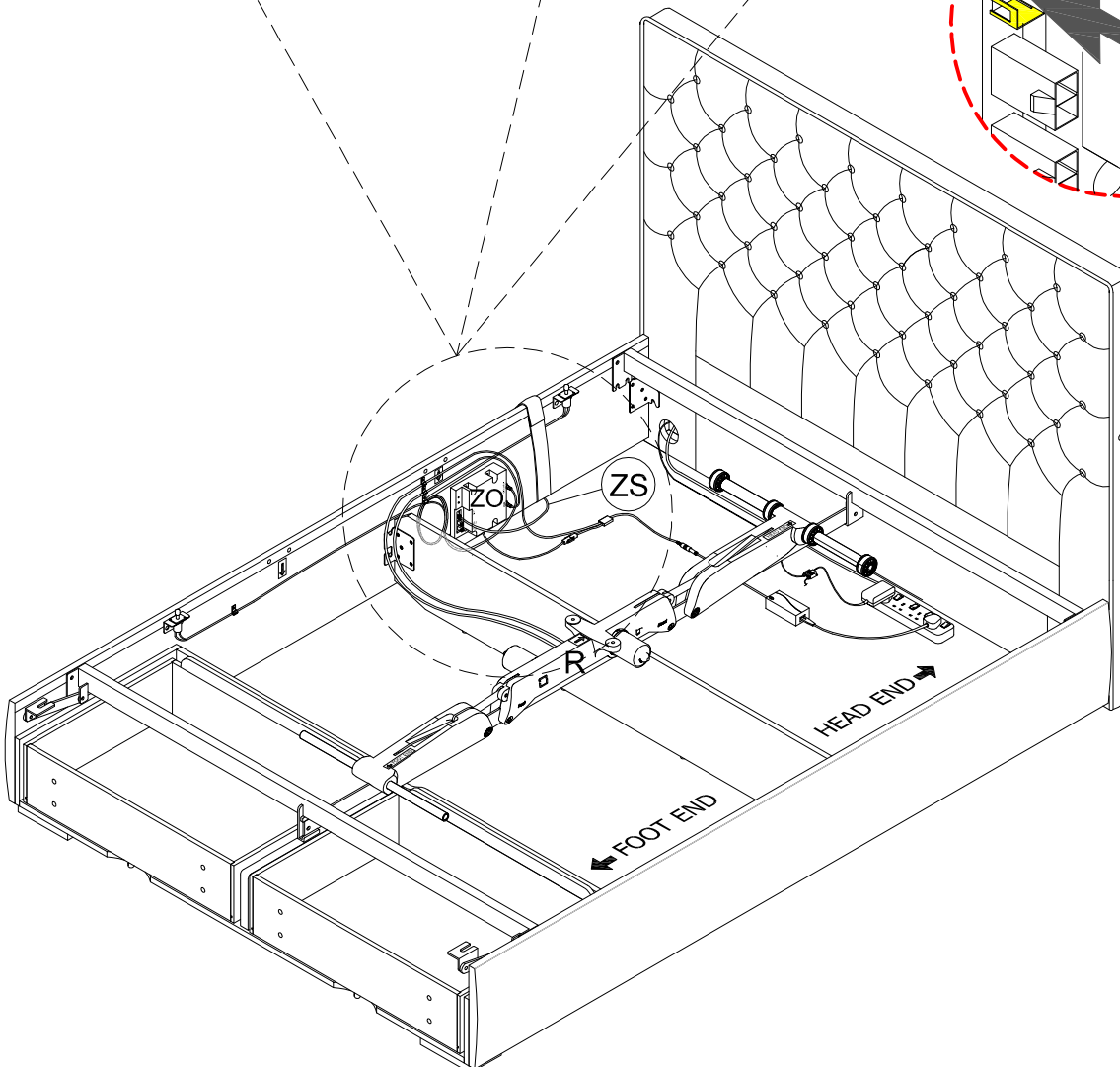
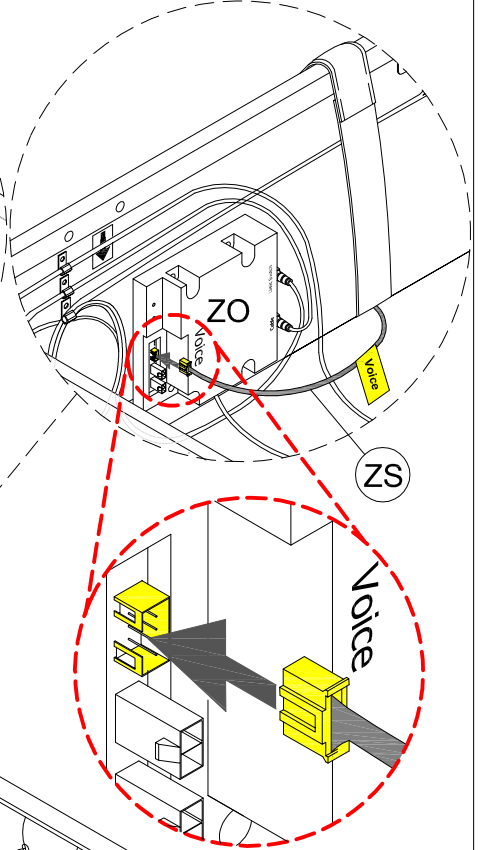
### Step 16-1



### Step 16-2

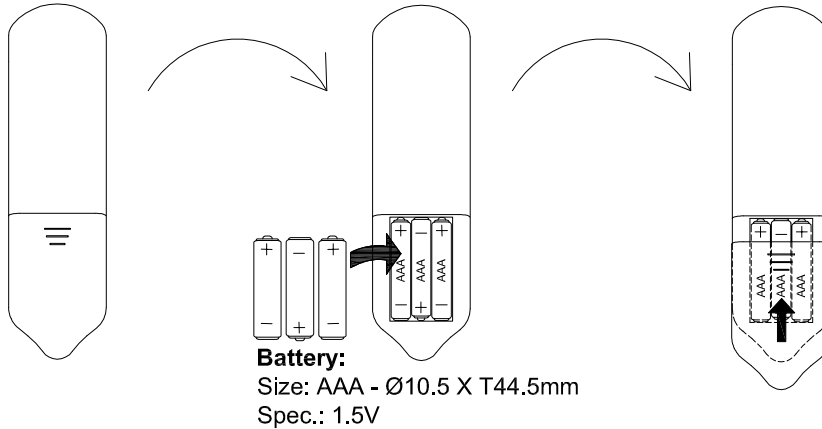


### Step 16-3

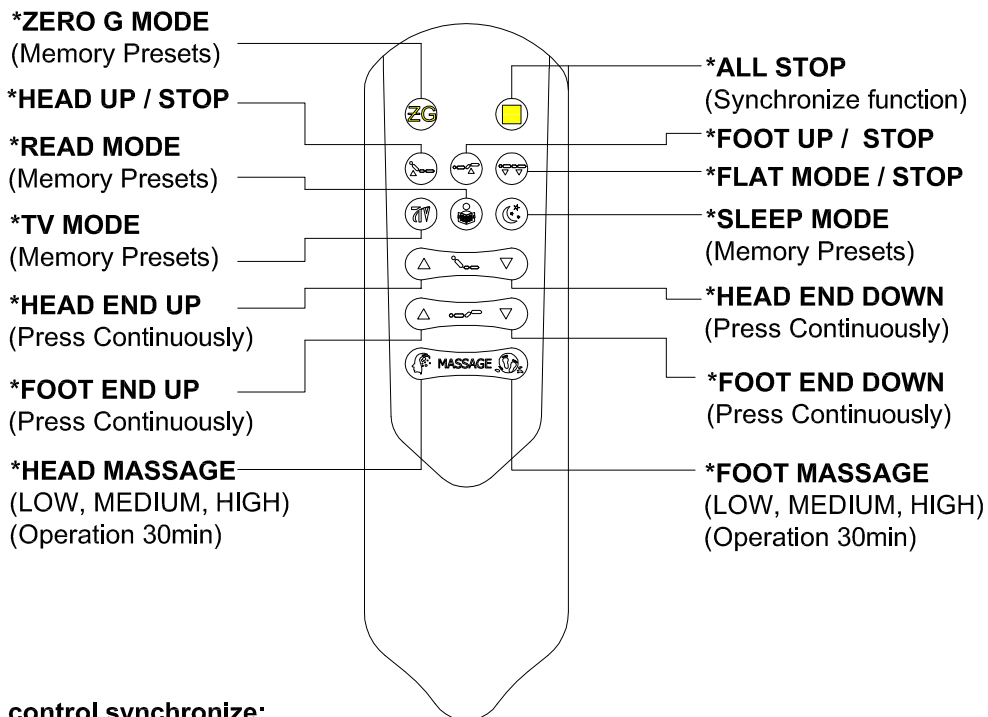


## Step 17

- Unpack the remote control & battery from pack.
- Turn around the remote control, then press and slide the back cover to open the battery compartment of the remote control.
- Insert three AAA size batteries. Make sure the (+) and (-) terminals of the batteries match the (+) and (-) terminals indicated in the battery compartment.
- Slide up to close the battery compartment cover.



## WIRED REMOTE CONTROL OPERATING INSTRUCTION




### Wireless remote control synchronize:


Every wireless remote control will be factory pre-set. If the wireless remote control is not working, please re-synchronize the wireless remote controls follow the step below.

Step 1 : Be sure to insert the batteries with correct positive “+” and negative “-” polarities.





(Press any buttons on the wireless remote control the wireless remote control indicator will light up).

Step 2 : Turn on the main power supply.

Step 3 : Long press the buttons (**ALL STOP**)  3~5s until the wireless remote control button starts flashing and wait until stops flashing.

Step 4 : Press the buttons (**HEAD UP**)  the motion bed lifts the head end. Now the wireless remote control is in working condition.

### Wireless remote control (Memory Presets)

The system already pre-set 4 memory posture position.     If you want to change and setting you own comfort posture position, please follow the steps below.

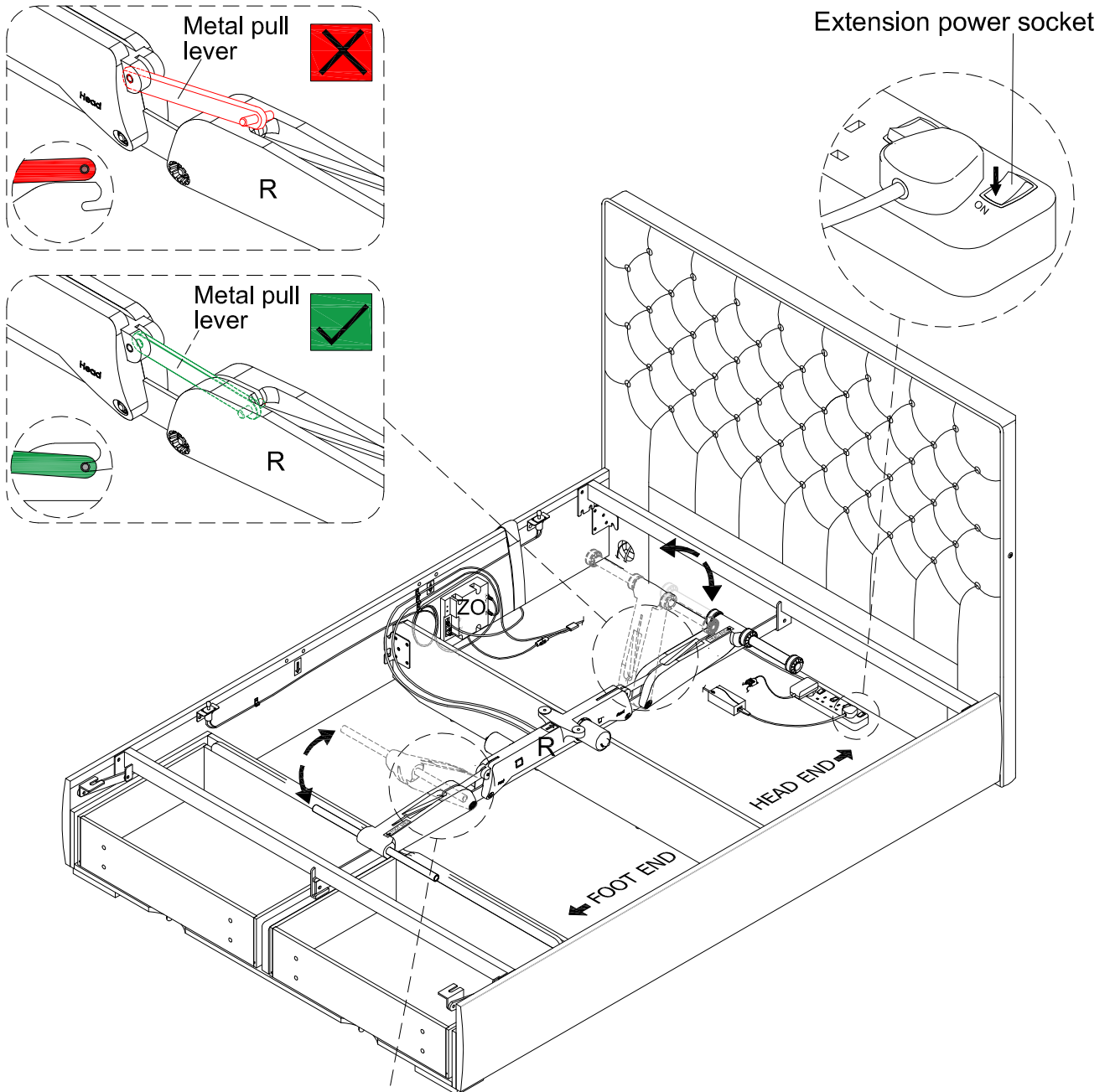
Step 1: Press the wireless remote control HEAD END / FOOT END (UP & DOWN) buttons to find your desired posture comfort position.

Step 2: Select the desired memory presets button     and Long press the buttons 3~5s until the wireless remote control button starts flashing and wait until stops flashing. The memory presents is complete.

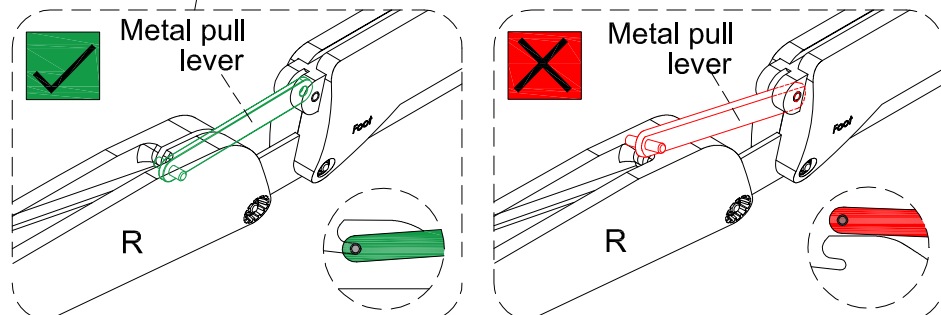
## Step 18

- Make sure the motion driver (R) metal pull lever completely slots inside the groove (step 18-1) & (step 18-2).
- Switch on the extension power socket, motion system power "ON" notification sound "Beep".
- Use wireless remote control to lift up & lower down the motion driver (R) several times.

### (Step 18-1)

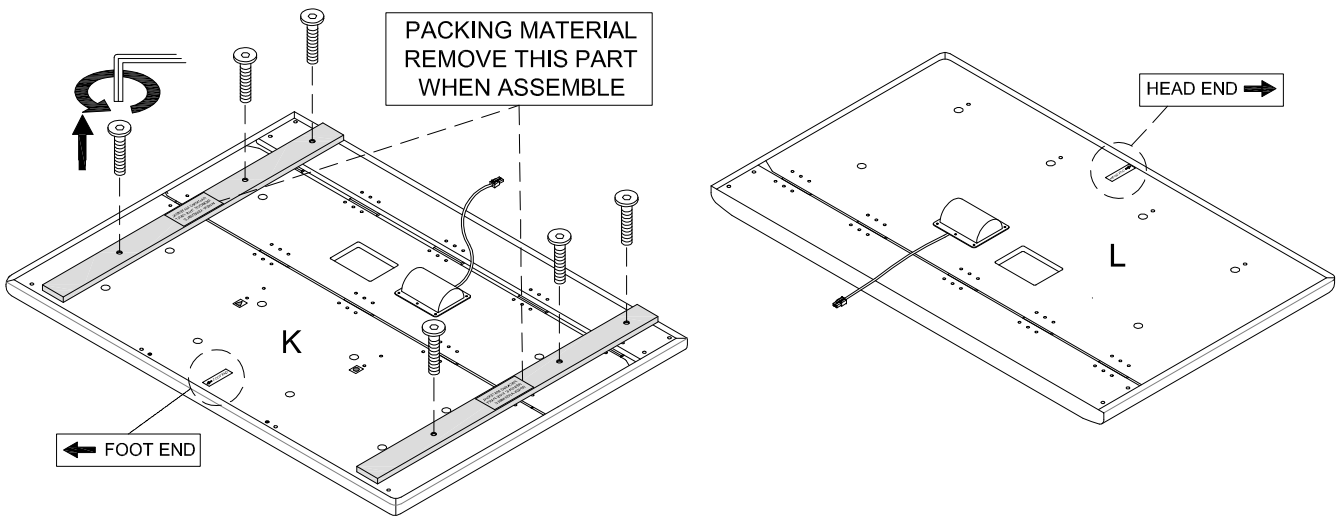


### (Step 18-2)



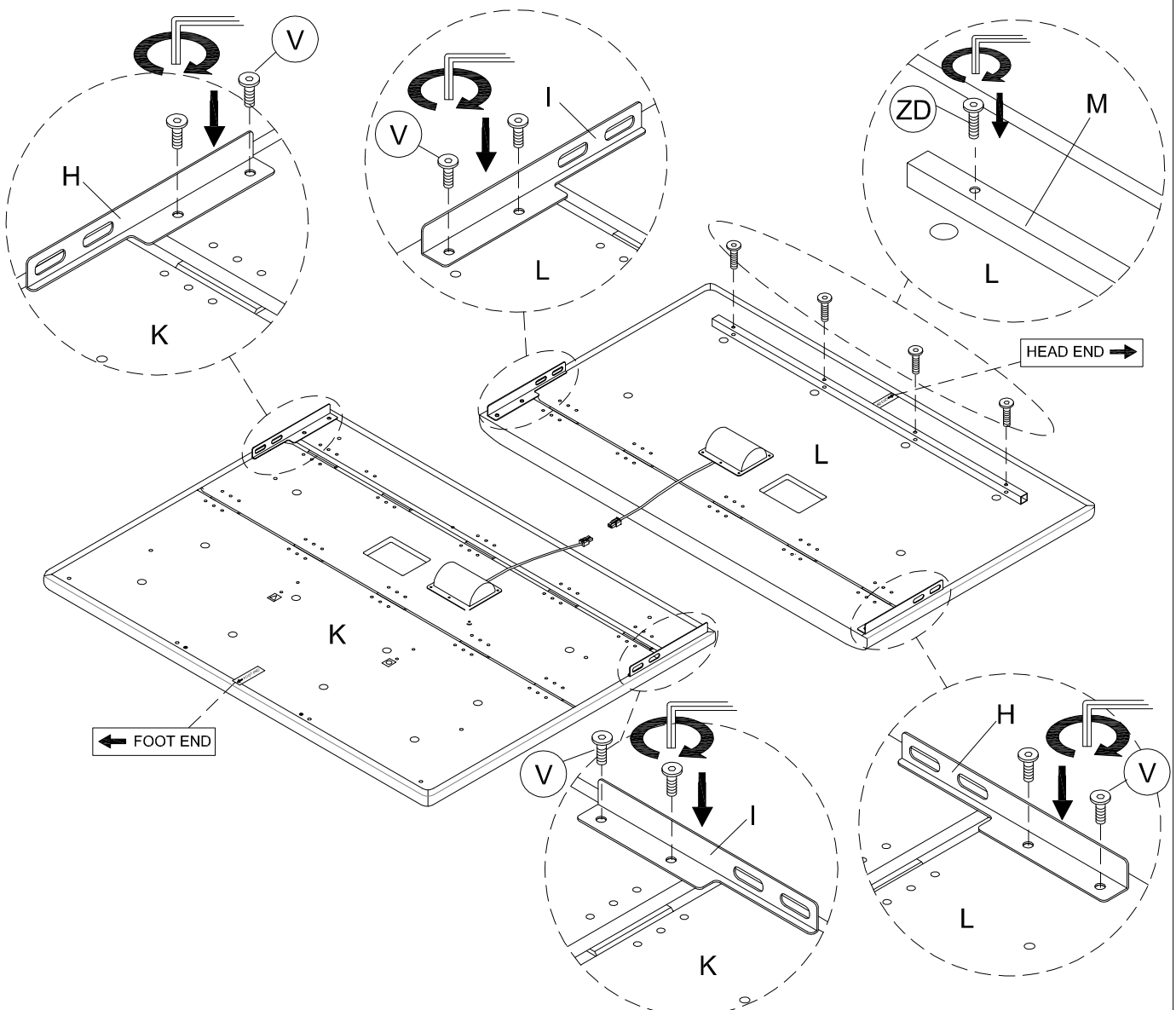
## Step 19

- Remove the bolts from wooden rail packaging support under the motion base (K) as shown.
- Remove the wooden transport rails and dispose of.



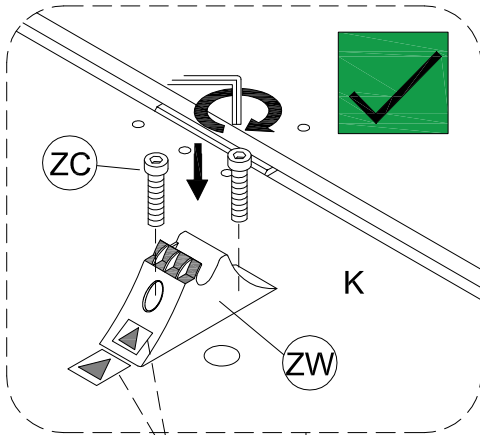
## Step 20

- Attach the Metal bracket left (H x 2pcs) & Metal bracket right (I x 2pcs) to the motion base (K) &(L) with bolts (V) as shown.
- Attach the head end cross rail (M) to the motion base (L) with bolts (ZD) as shown.
- Firmly tighten the bolts.

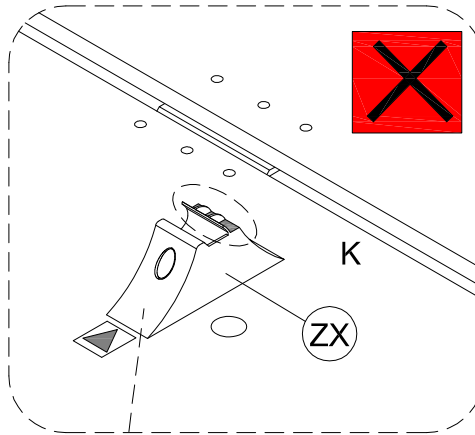


## Step 21

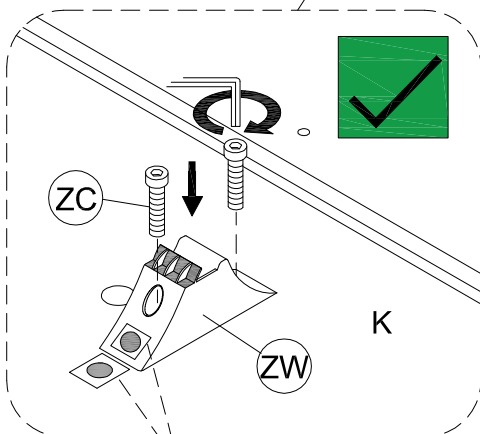
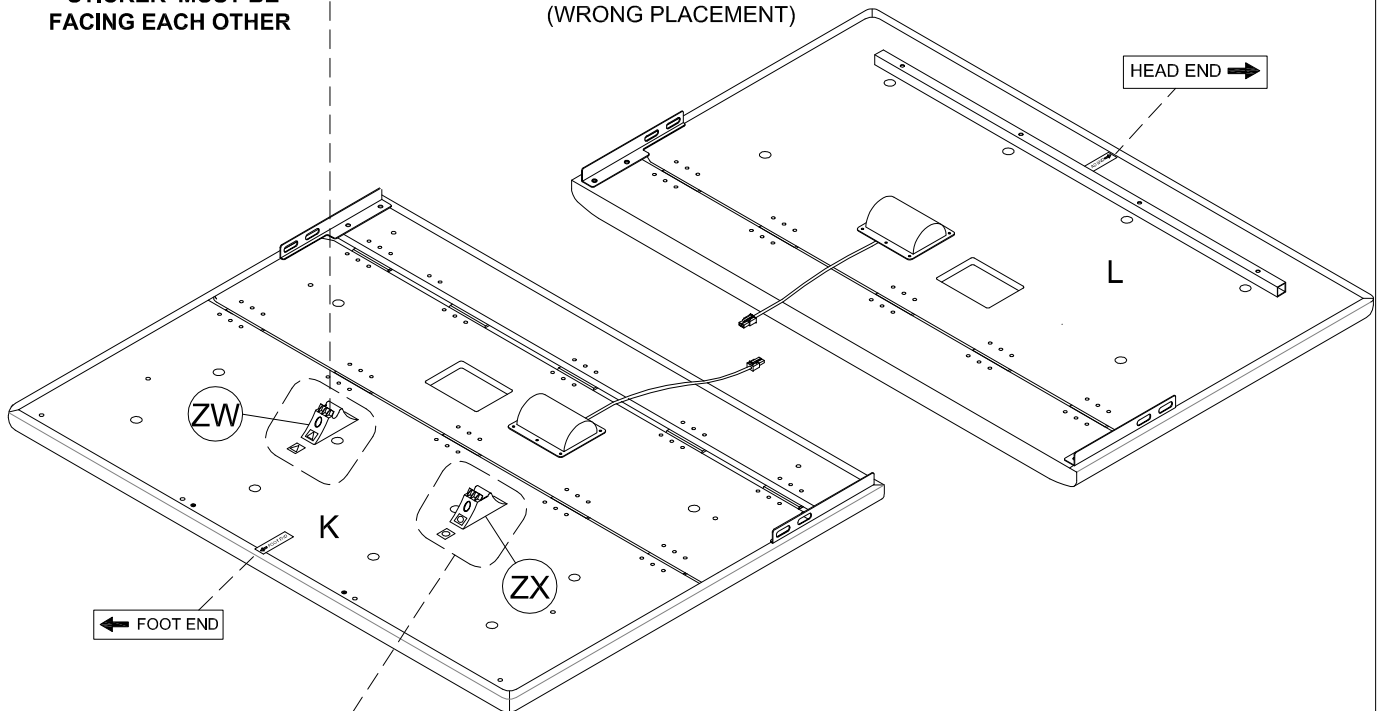
- Attach the Round tube holder left (ZW) & Round tube holder right (ZX) to the motion base (K) with bolts (ZC) . The side with sticker must be facing each other as shown.



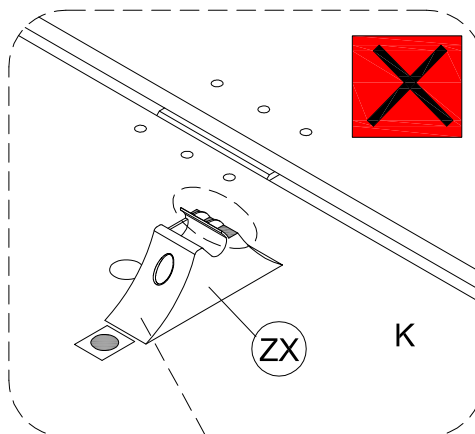
'STICKER' MUST BE FACING EACH OTHER



NO 'STICKER' SIDE (WRONG PLACEMENT)



'STICKER' MUST BE FACING EACH OTHER

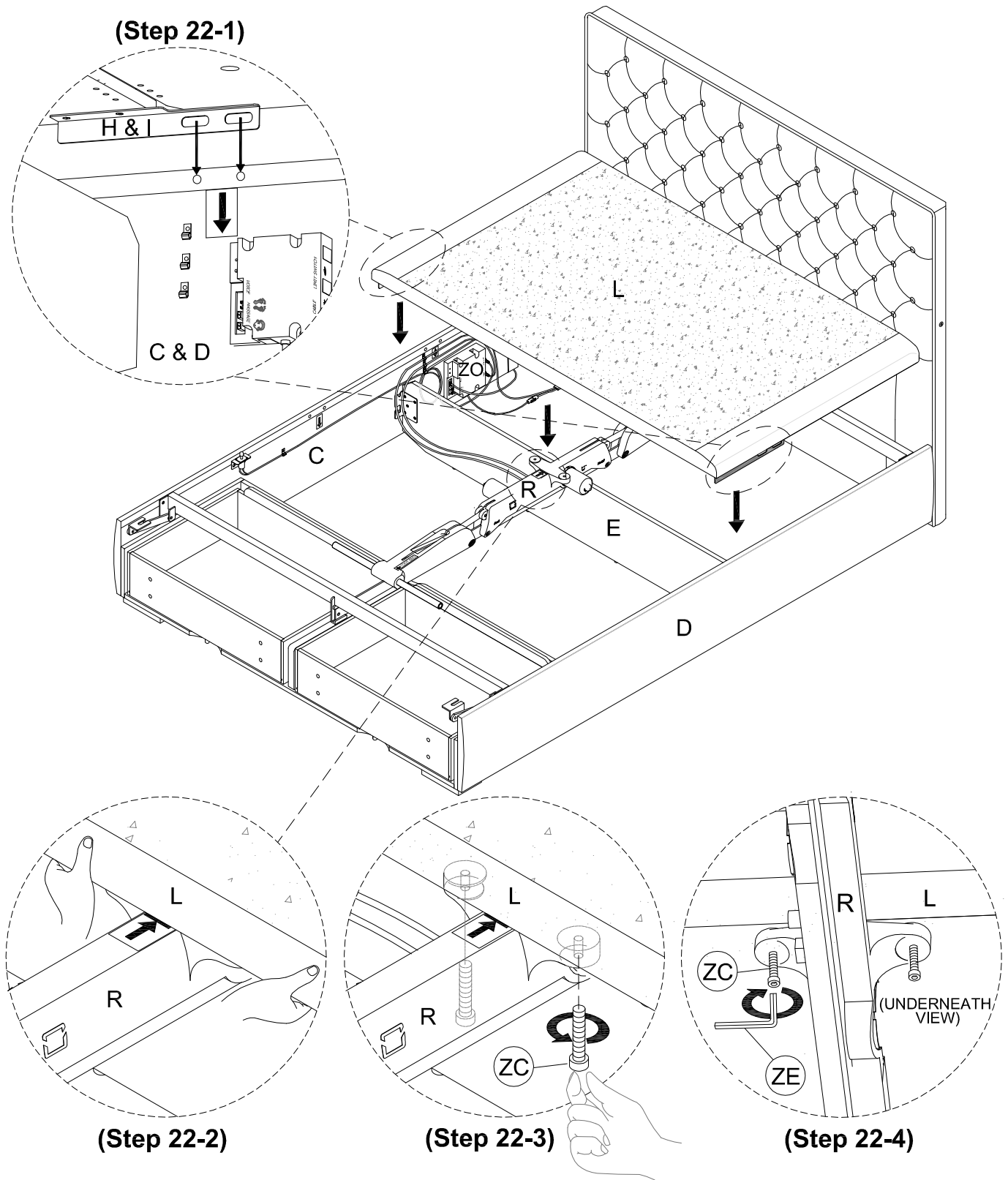


NO 'STICKER' SIDE (WRONG PLACEMENT)

## Step 22

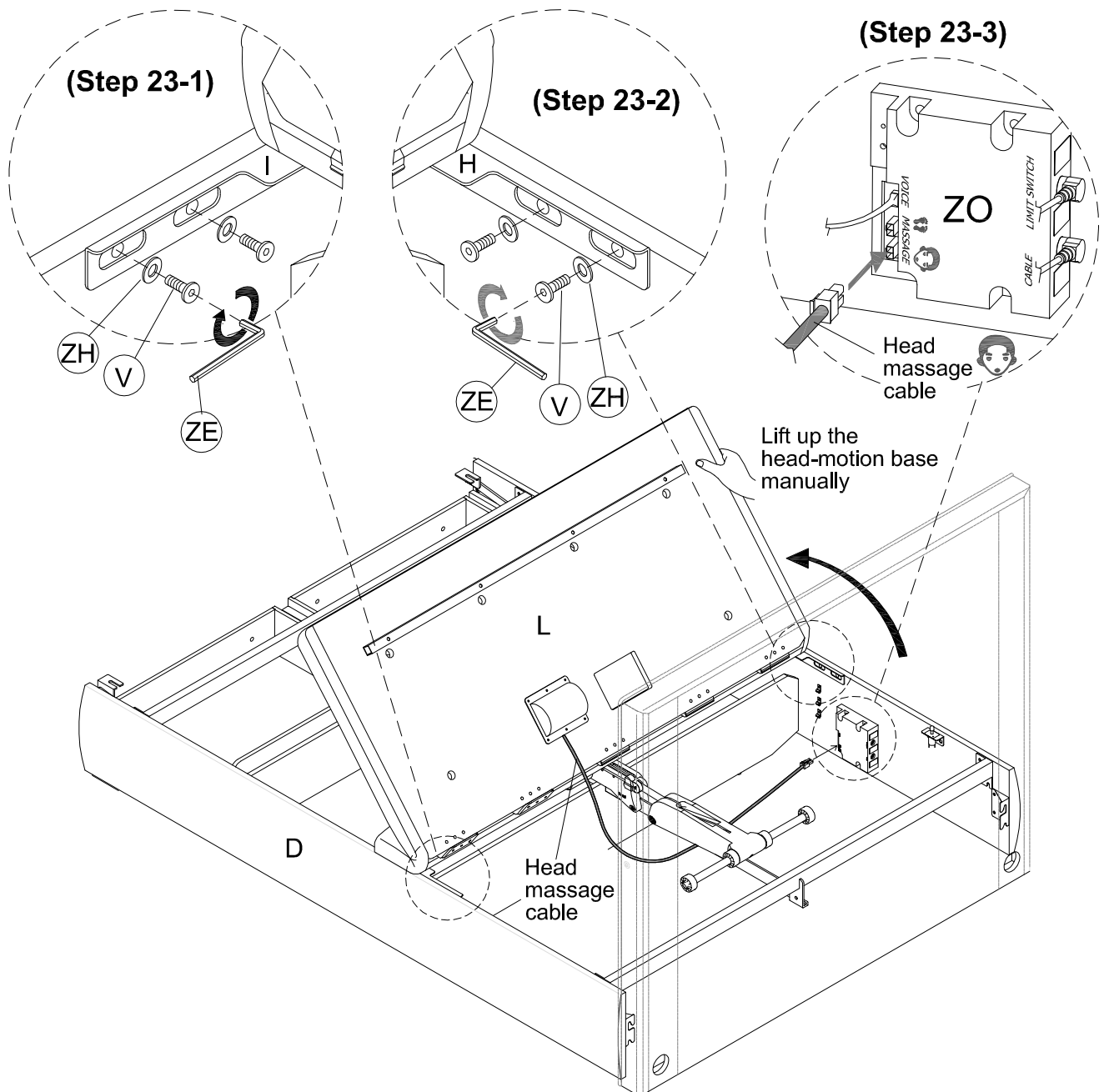
Attach the head-end motion base (L) to the bed as shown. (It is essential; that this is a minimum two person action to lift the motion base (L) into position.)

- Align the metal bracket right (H) & left (I) follow the arrow marking at the side rail left (C) & right (D) as shown (Step 22-1).
- Align the head-motion base (L) sitting flush with the arrow marking at the motion driver (R) as shown (Step 22-2).
- Fix bolts (ZC) with finger tight to the motion driver (R) as shown (Step 22-3).
- Firmly tighten the bolts (ZC) with allen key (ZE) as shown (Step 22-4).

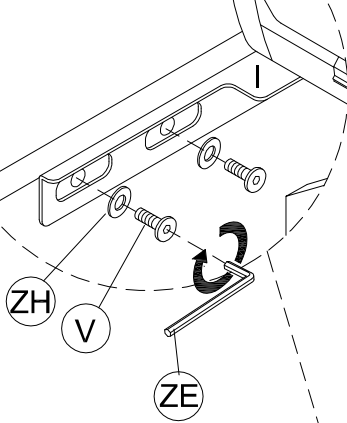


## Step 23

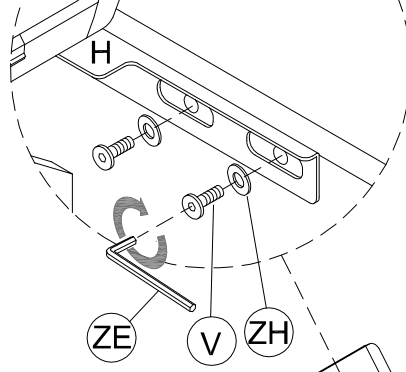
- Lift up the head-motion base manually as shown.
- Fix the Metal bracket left & right (H) & (I) with bolts (V) & washers (ZH) as shown (Step 23-1 & 23-2).
- Make sure the head-motion base (L) sit flush with the side rail (C & D), then fully tighten the bolts.
- Connect the head massage cable to the motion main controller (ZO) as shown (Step 23-3).



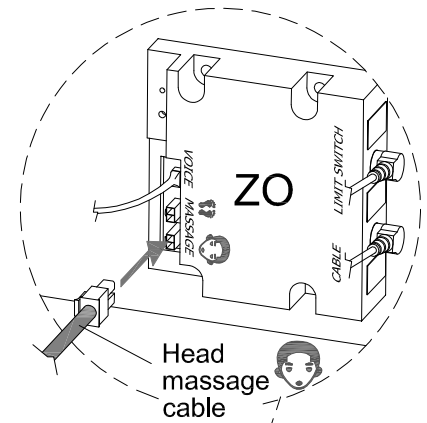
(Step 23-1)



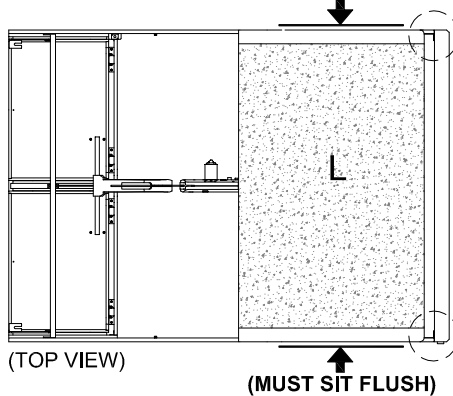
(Step 23-2)



(Step 23-3)

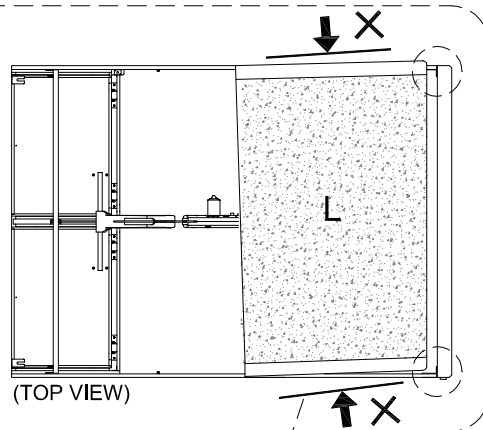


(MUST SIT FLUSH)



(TOP VIEW)

(MUST SIT FLUSH)



(TOP VIEW)

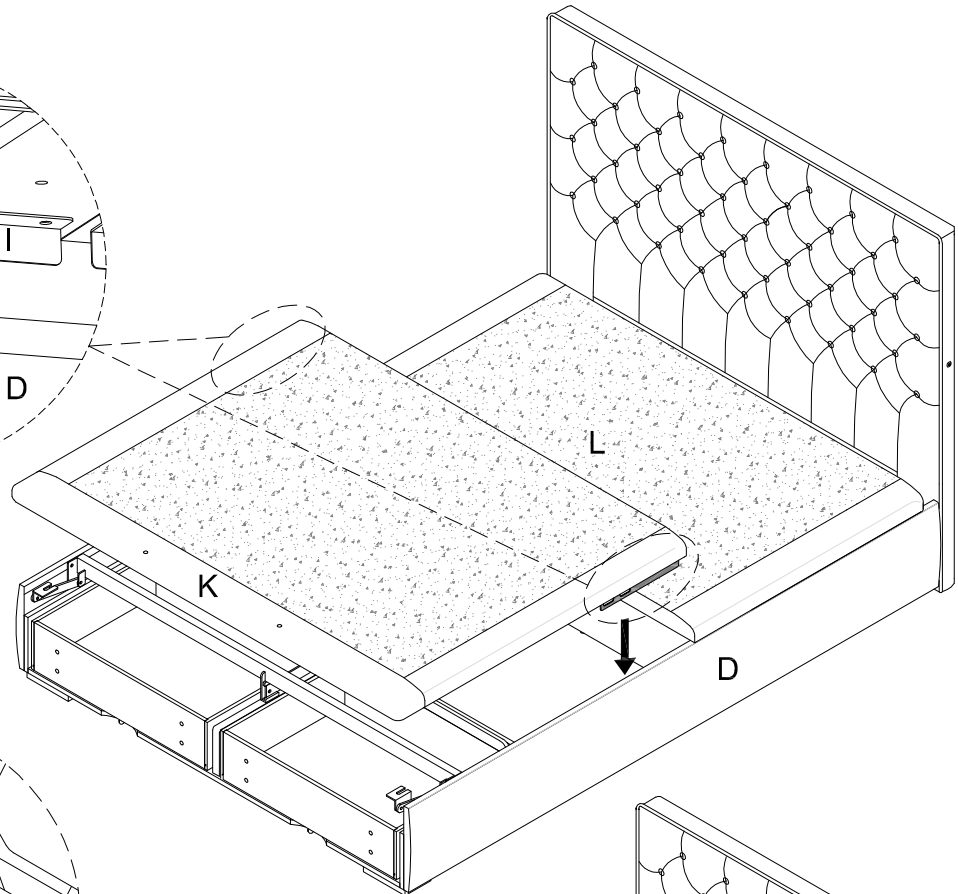
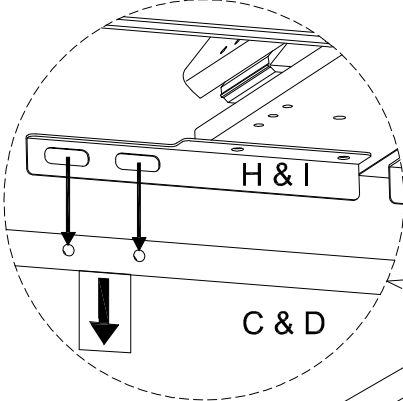
Loosen the bolts on the metal bracket.  
Realign the base to sit flush on both side rails. Re-tighten all bolts.



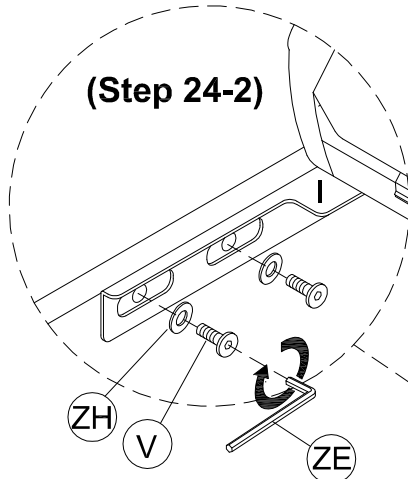
## Step 24

- Attach the foot-end motion base (K) to the bed as shown. (It is essential; that this is a minimum two person action to lift the motion base (K) into position.)
- Align the metal bracket right (H) & left (I) follow the arrow marking at the side rail left (C) & right (D) as shown (Step 24-1).
- Lift up the foot-end motion base manually as shown.
- Fix the Metal bracket left & right (H) & (I) with bolts (V) & washers (ZH) as shown (Step 24-2 & 24-3).
- Make sure the foot-motion base (K) sit flush with the side rail (C & D), then fully tighten the bolts.

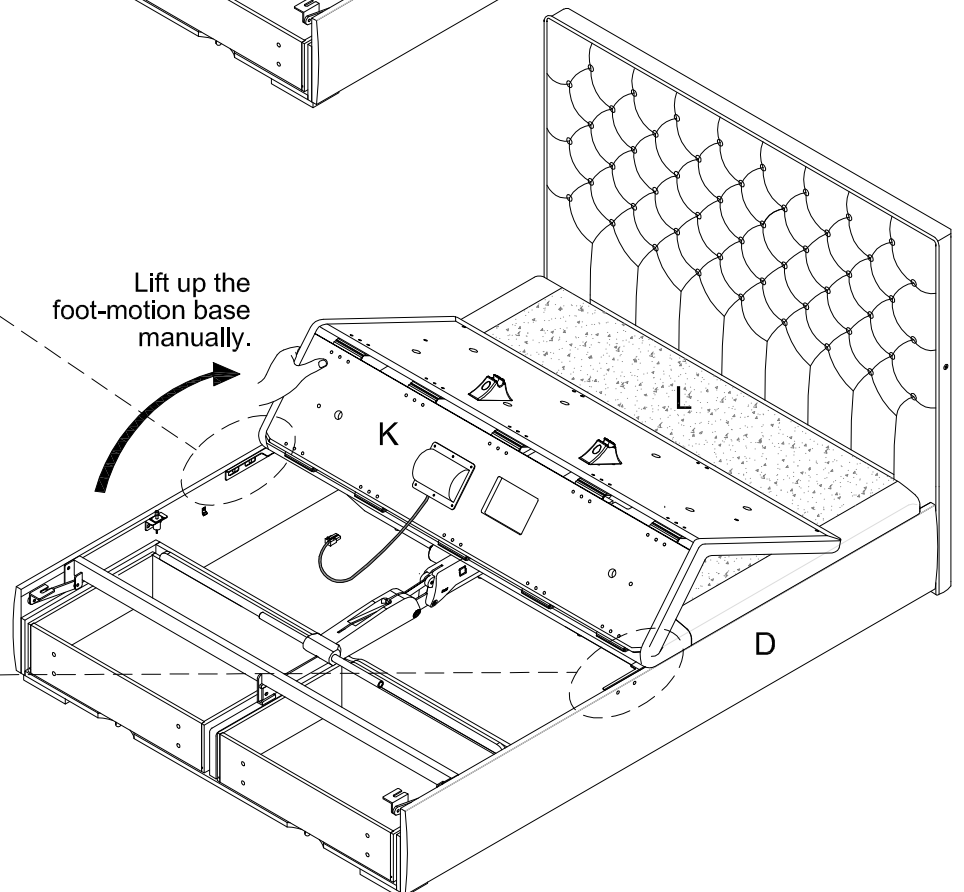
### (Step 24-1)



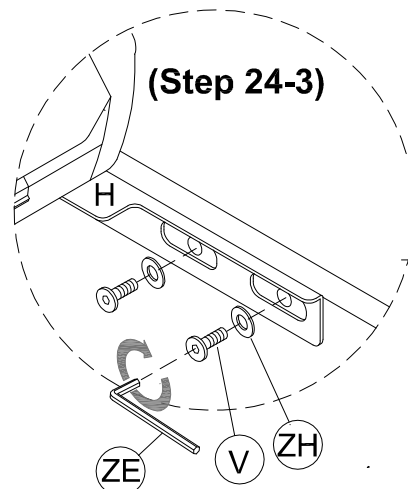
### (Step 24-2)



Lift up the  
foot-motion base  
manually.

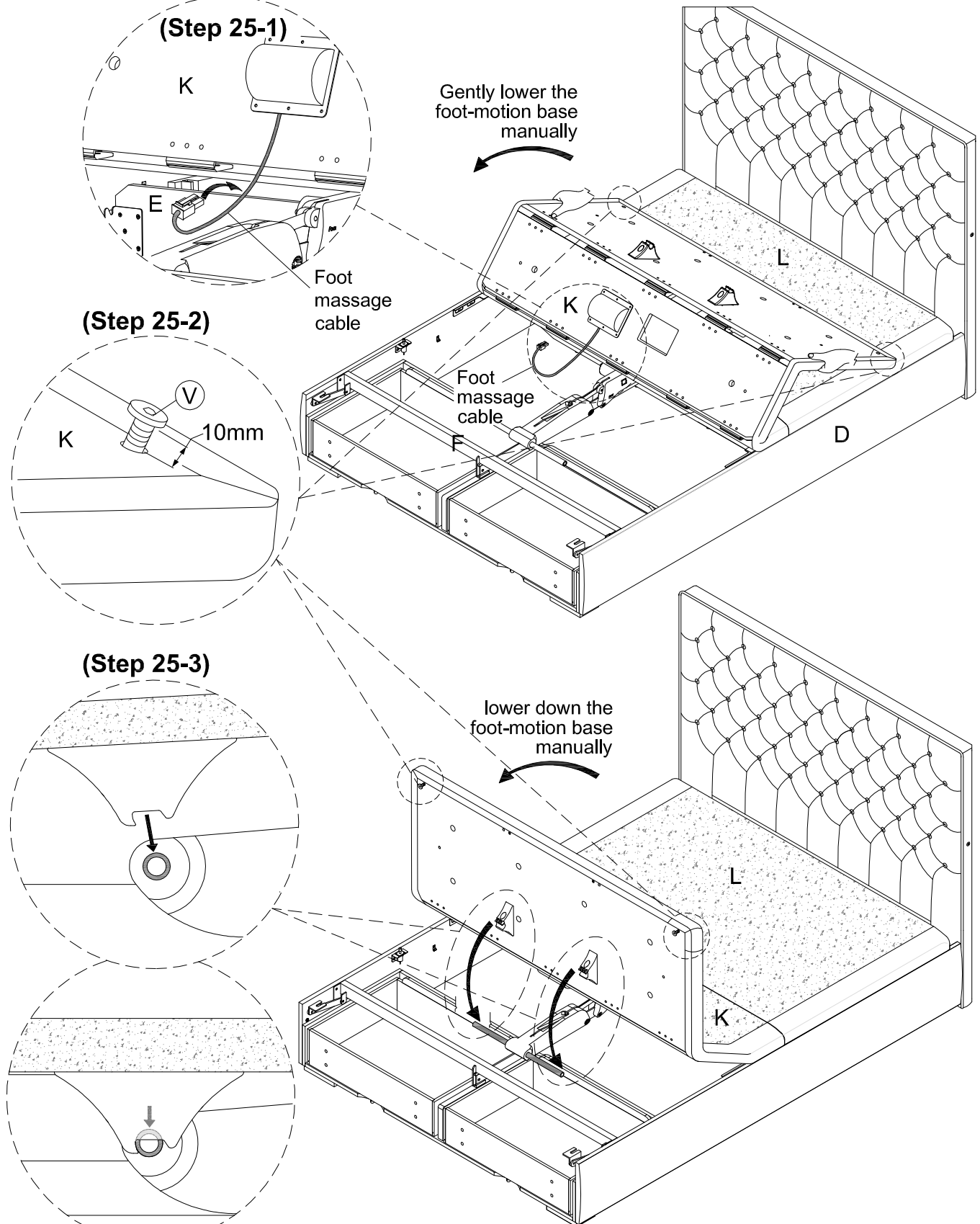


### (Step 24-3)



## Step 25

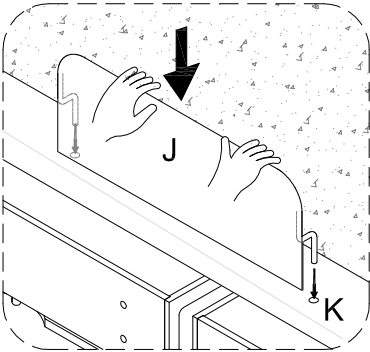
- Pass the foot-end massage cable from under the bed to top of center panel support (E), near to the motion main controller (ZQ) as shown (Step 25-1), Be prepare for (Step 28) to connect the cable to the motion main controller (ZQ)) .
- Fix bolts (V) finger tight (approximate 10mm) to the foot-end motion base (K) as shown (Step 25-2), (Be prepare for (Step 27) attach to front metal cross rail with arm (F)).
- Gently lower the foot-end motion base manually as shown.
- The round tube holder left (ZW) & right (ZX) must slot into round tube(ZJ) as shown (Step(25-3)).



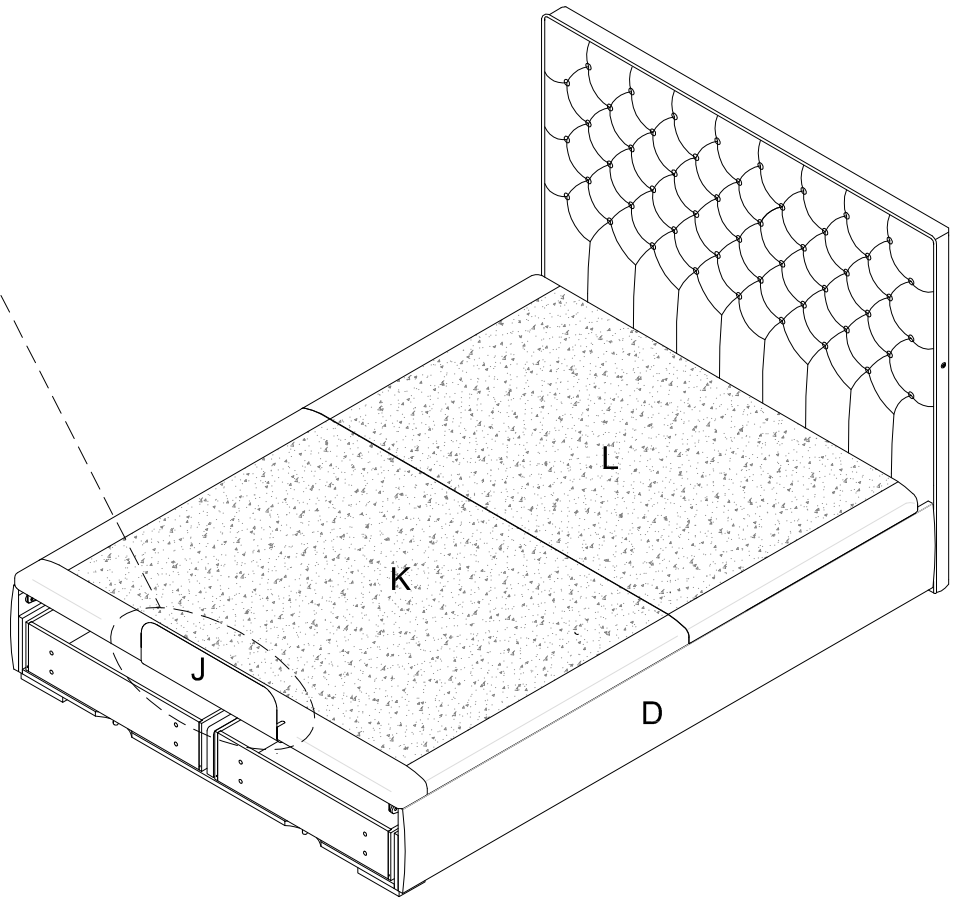
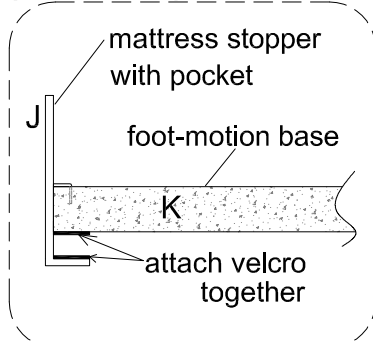
## Step 26

- Attach the mattress stopper with pocket (J) to the foot-motion base (K) as shown (Step 26-1).
- Pull tight the mattress stopper pocket and stick to the velcro surface at the bottom of foot-motion base as shown (Step 26-2).

### (Step 26-1)

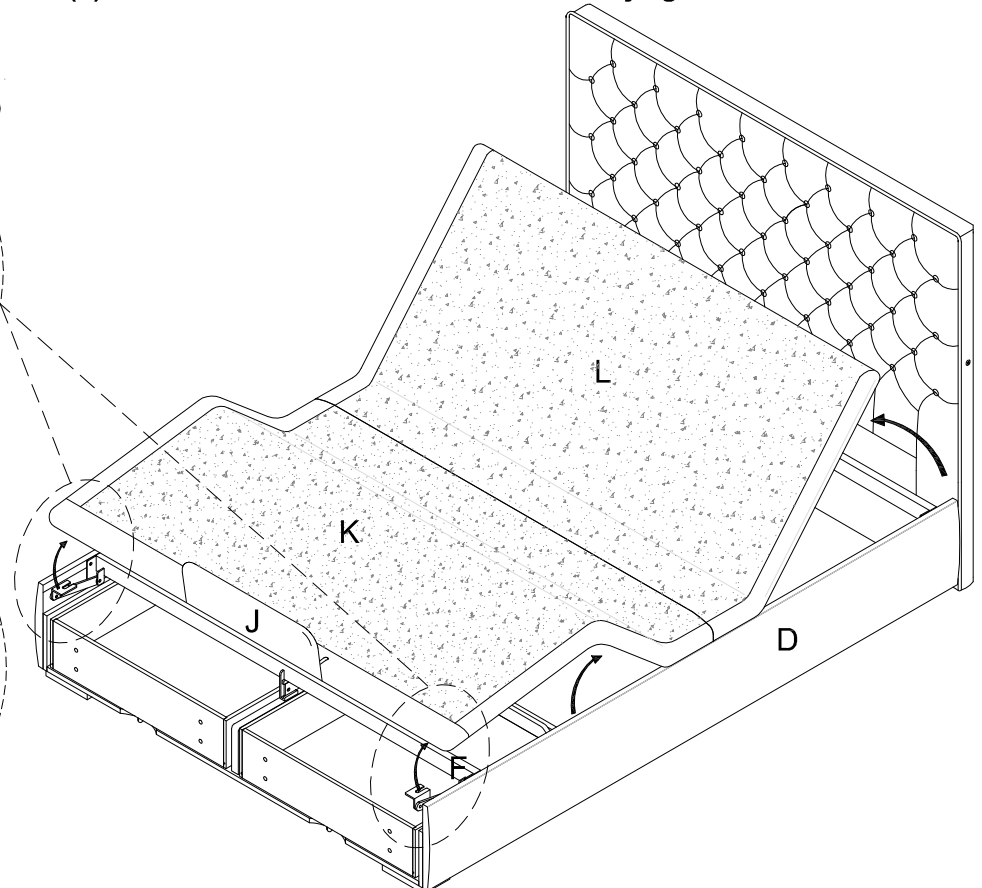
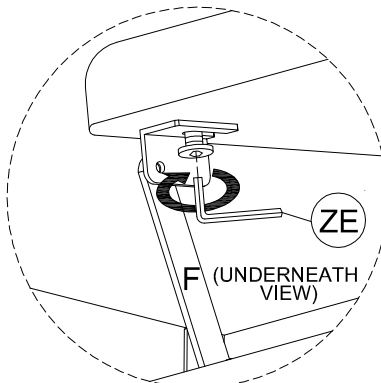
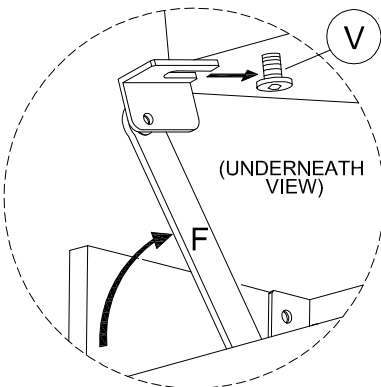


### (Step 26-2)



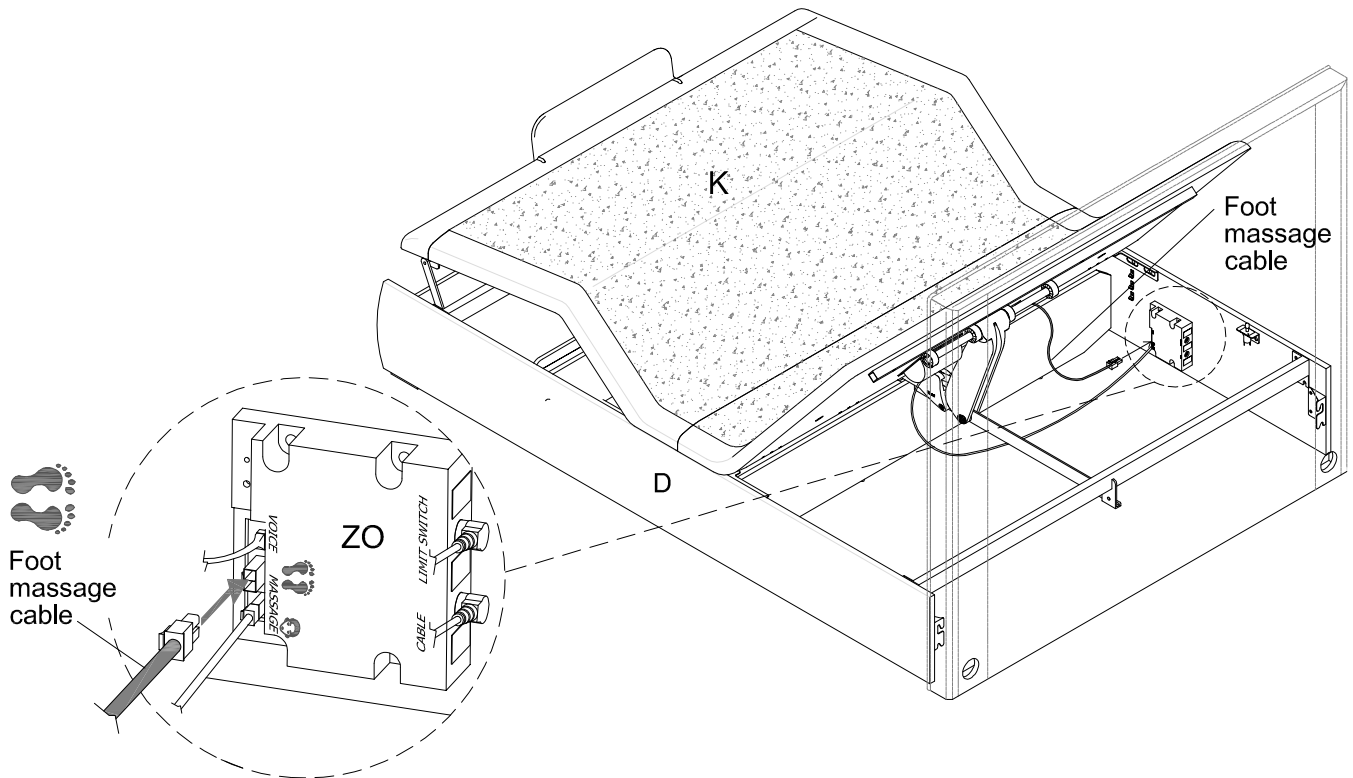
## Step 27

- Use wireless remote control to Lift up the head & foot - motion base to its highest position as shown.
- Lift up the front metal cross rail (F) arm bracket and slot to the bolts with fully tighten as shown.



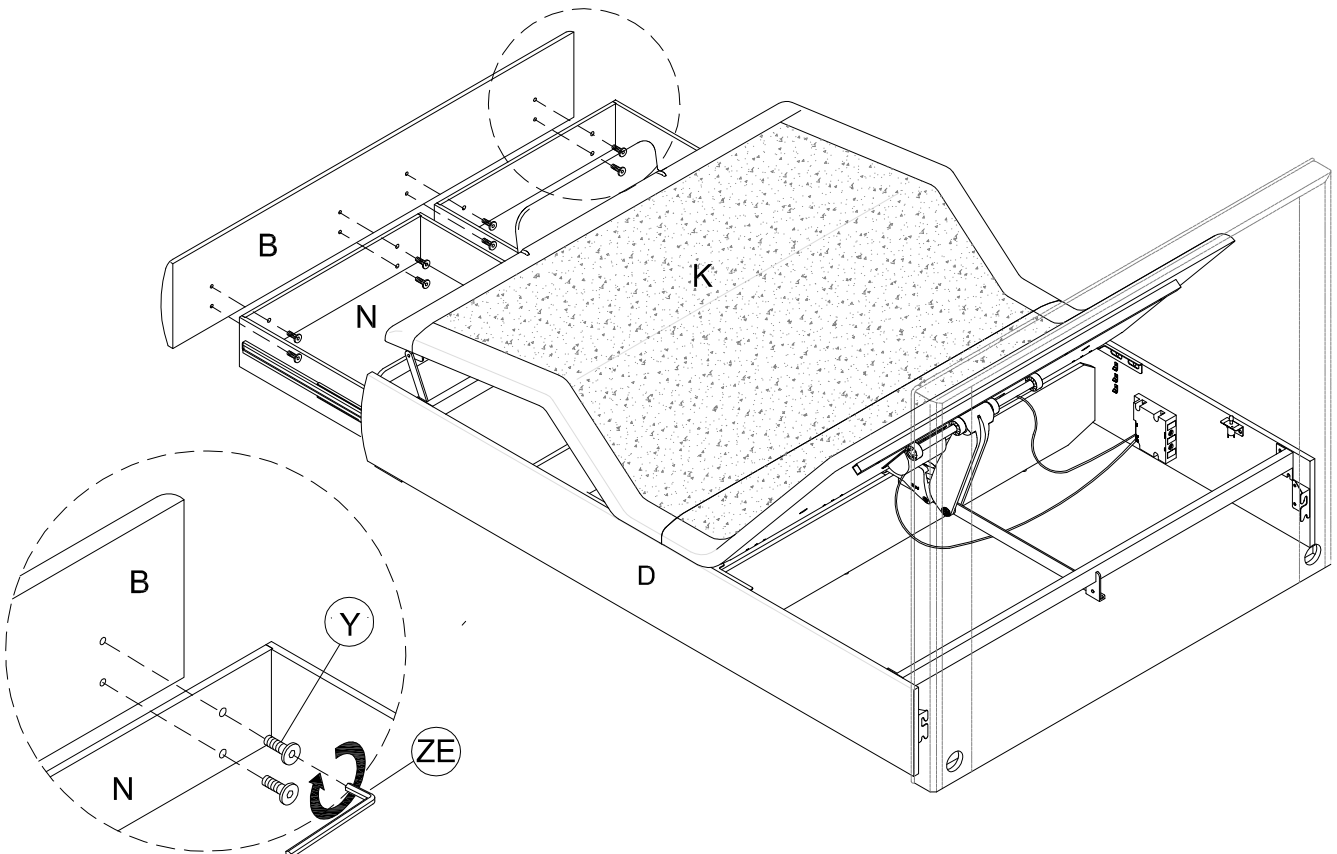
## Step 28

- Connect the foot massage cable to the motion main controller (ZO) as shown .



## Step 29

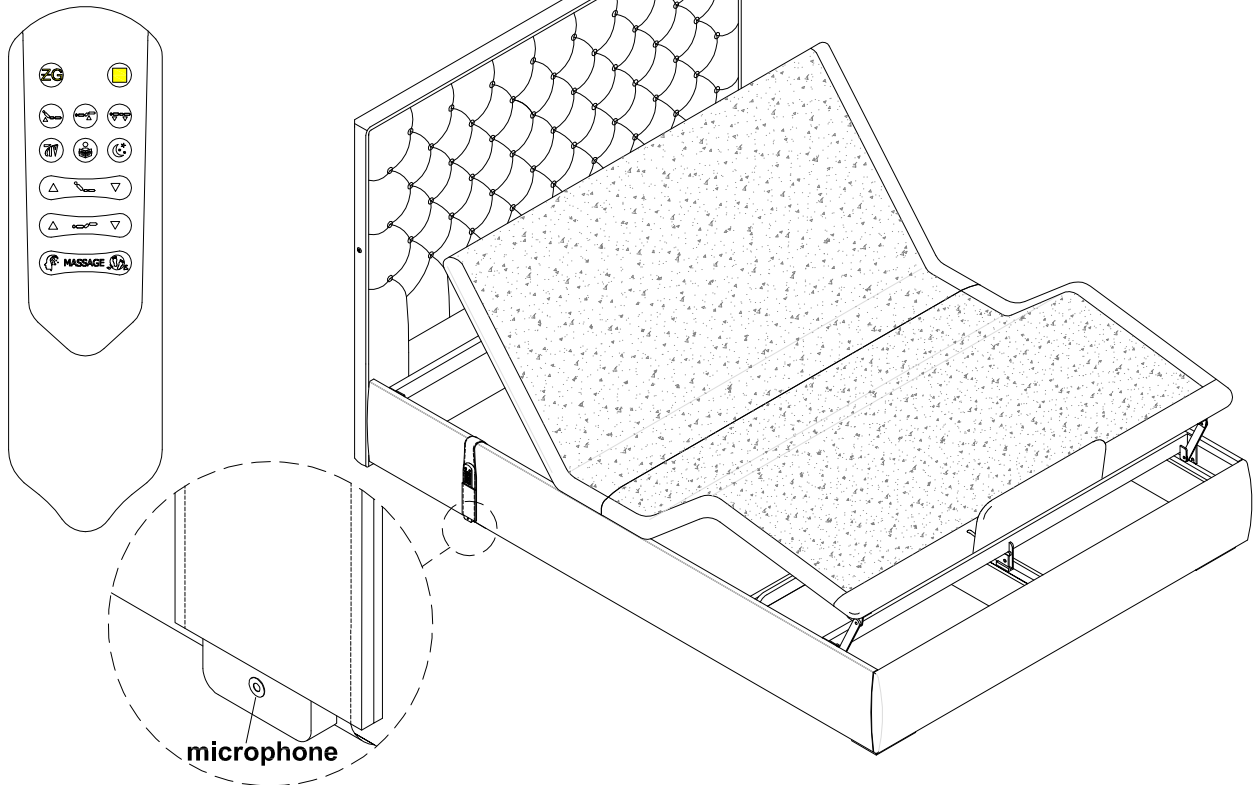
- Pull out the drawer box from the drawer base (N).
- Attach the footboard (B) to the drawer base (N) and tighten with the bolts (Y) as shown.



## Step 30

- Motion bed now is fully complete assemble. You can use either the wireless remote control or voice commands assist to lift up & lower down the motion bed.

### WIRED REMOTE CONTROL



### VOICE COMMANDS ASSIST

## SleepWave

### Welcome to your new SleepWave adjustable storage bed

To get the most out of your bed please use our handy guide below for all the voice commands needed to help assist you into your favourite position for sleep, TV or reading as well as massage.

STEP 1 ACTIVATE	STEP 2	STEP 3 COMMAND		
Hi motion... Hey motion... Hello motion... Yo motion... Go motion...	Pause - wait for Beep	Zero G mode Flat mode TV mode Read mode Sleep mode	All stop Head up Foot up Head stop Foot stop	Head down Foot down Head massage Foot massage Massage stop

Choose your activation, (pause), then choose your command.

For example...

**"Hey motion... TV mode"**

Keep me somewhere safe

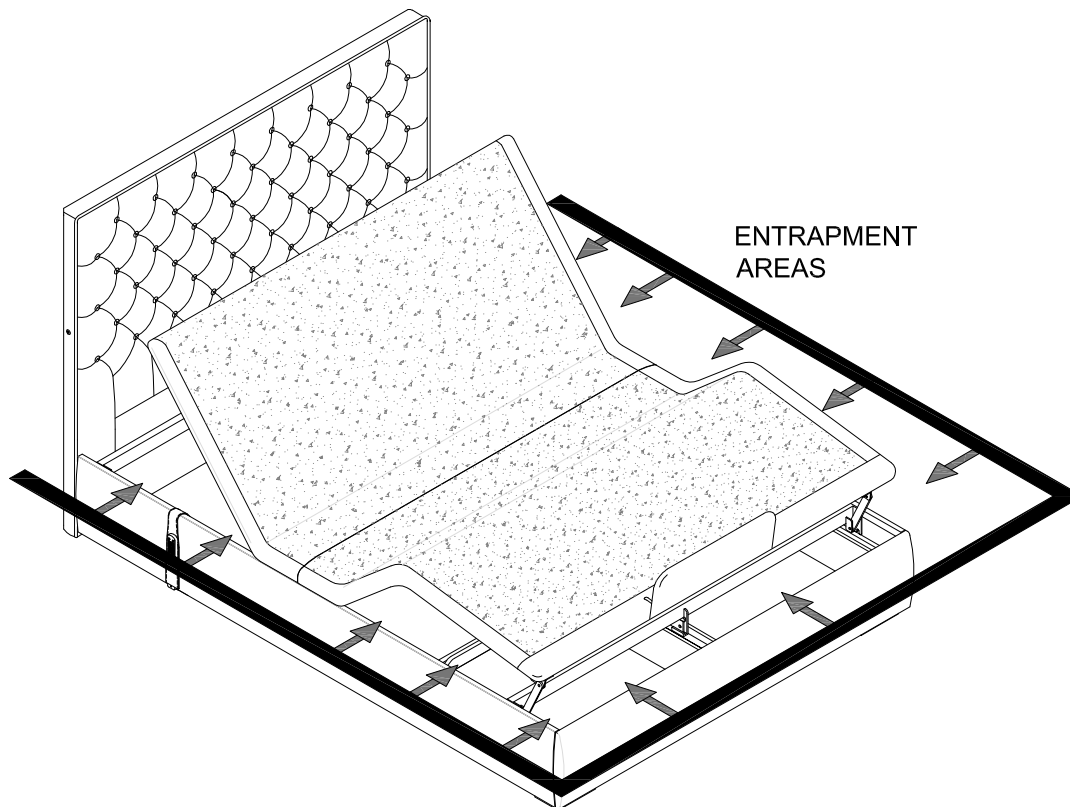
**bensons**  
for beds

GEN011

## Safety Information!

1. Operation care and entrapment warning:

During adjustment operation, please ensure there are no persons, children or pets in the vicinity of the operation of the bed frame. **Fingers, limbs and pets can become trapped if the bed is lowered whilst entering the cavity.**



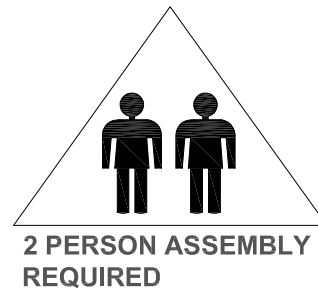
2. The Electrical system must be protected from moisture at all times.
3. Please ensure that the mains plug is always freely accessible so that you can pull it out quickly in case of in the event of an emergency. The mains connection line must be exposed as well. Please ensure all cables are free and not trapped at any point.
4. The posture adjustment operation of this product should not be by anyone under the age of 10. Persons with any learning or mental health issues should reform from using the operation. Only that have read and / or understand the functions and safety precautions should operate this adjustable bed.  
**Children must not play with the device.**
5. Persons with a weak heart or a pacemaker should consult a specialist before use.
6. The mains connection should be inspected for damage once every year. Damaged power cables should only be replaced or repaired by the manufacturer, or qualified electrician.
7. If not intended to be used for along period we suggest removing the remote to a safe place
8. If not used for a long period we suggest check all functions manually. Operating the lift functions at least once before doing so.
9. Unauthorised repairs or modification could create a malfunction or damage to the product this will invalidate the guarantee.
10. Cleaning and user maintenance must only be performed by an capable adult.

## Important Information! - Prolonged Power Outage

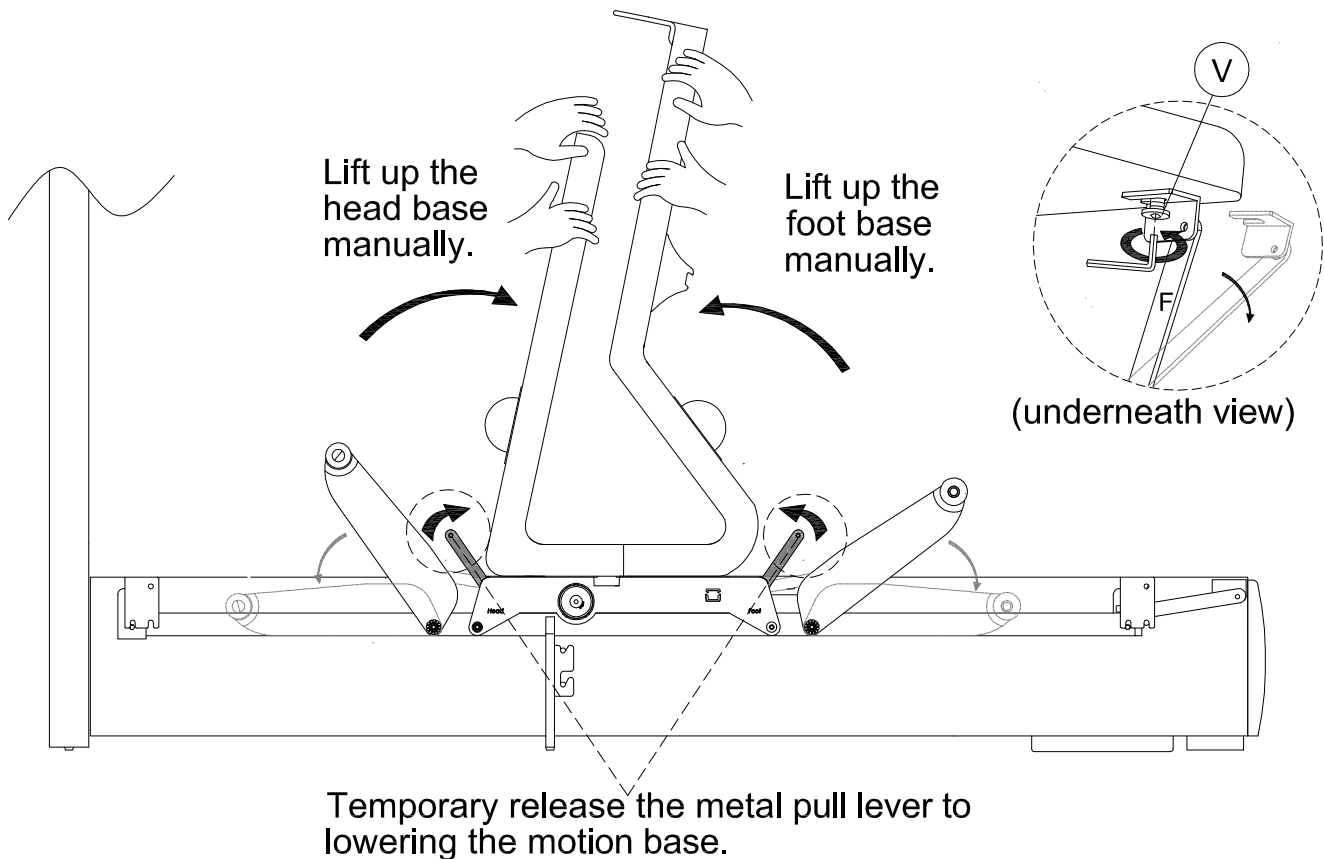
In the event of a power cut whilst the bed is in a raised position, the platforms can be lowered manually.

### Important!

- The bed should be un-occupied.
- Mattress must remove from the bed.
- At least 2 person required for release the metal pull levels.

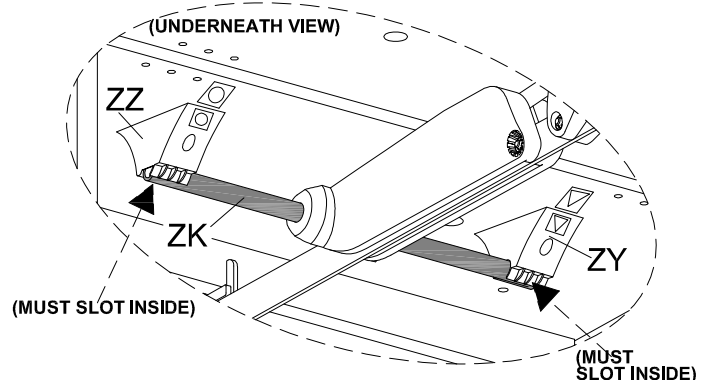


- 1) Loosen bolt (V) and Remove front metal cross rail (F), Lift head and foot end bases simultaneously as shown.
- 2) Lift the metal pull lever so that they are free of the action guide.  
At the same time remove the round tube from their guides.  
The based can now be carefully lowered on the bed.



### Important!

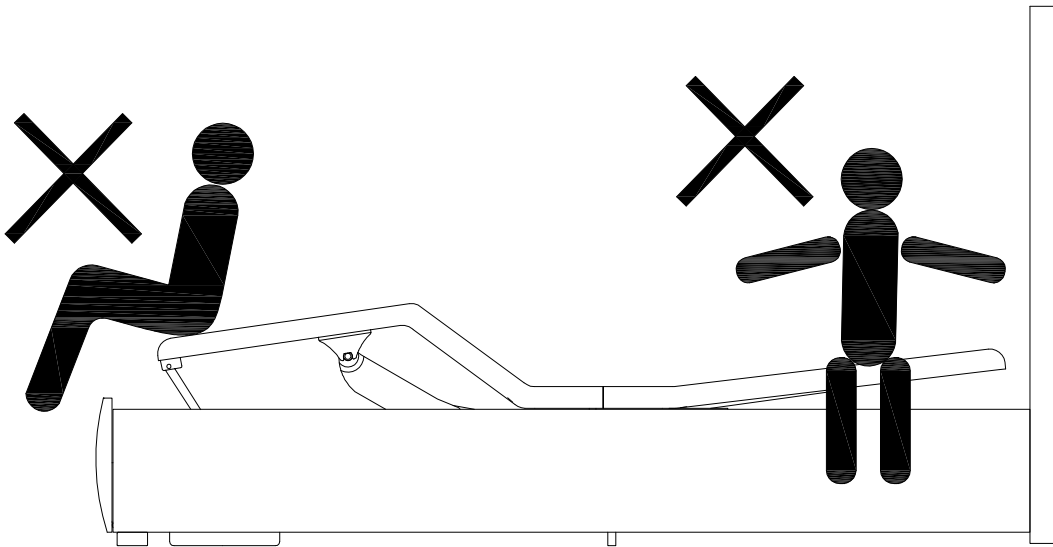
When power has been resumed repeat the above in reverse to reassemble the product. Check all fixings and tubes are in the correct operational position.



## **Important Information! - Overloading**

**Avoid overloading the lift mechanisms**

**Please avoid overloading then mechanisms. The system is not for continual use and must rest between operations. Its is recommender that the system should rest after two minutes continuous use for approximately ten minutes**



(SIDE VIEW)

### **Care and Maintenance Information**

**The guide motor unit can be cleaned with a dry cloth as required carefully Hoover periodically. Please note that the plug should first be removed from the mains supply.**

**The motor system is maintenance free.  
Any repairs or service actions should only be carried out by the manufacturers service center to avoid voiding the guarantee.**

### **ATTENTION! PLEASE NOTE:**

**In the event you are experiencing any technical difficulties and you require additional assistance/ support with your product 'Mechanical/ Electrical' function - Please visit:**

**SUPPORT EMAIL: [support@bssbfurnitureinnovation.com](mailto:support@bssbfurnitureinnovation.com)**

**UK PRODUCT SUPPORT HOTLINE : 01462600064**

**Contact your retailer for all other issues such as damage, missing or faulty components ( non electrical ) or anything else of a non technical/electrical nature.**



# TROUBLE SHOOTING

## Position reset Method

- When actuators (head-end and foot-end) work abnormally and not smoothly or stop working. Please long press the head down and foot down until fully closed. When you hear a click sound from the control box, the position is reset to zero and you can start to operate again as normal.

## If the Motion motor no working:

- Make sure to check the 4 way extension lead and try to switch over to a different socket to test the power.
- Turn Off the Main Power socket until the transformer's green light goes off. Check all the cables again to ensure proper connection and turn on back the main power as reset.
- Please check when pressing the remote button for a "click" sound. If not, replace the remote control battery and re-sync as per the following instructions:

Turn off the power until the transformer's green light goes out. And turn on the Power with the long-press remote button. And turn on the power with the long-press remote button "Stop" in the square box on the top right side for 5 to 10 seconds. Once the remote button starts flashing (release the finger), wait until the flashing light button stops, then press the flat button with a click-click sound. This is to ensure the remote is successfully in full sync.

## If the massage motor no working

- Please check the cable connection and you can switch over the massage motor connection on the control box to check whether the motor works or not.

## If the Voice control no working

- For voice not activated, please turn off the power until the transformer green light goes off, and after that, check the connection for reset purposes.

If you are still unable to operate the motion motor, please call the UK service centre to be assisted as follows:

## **ATTENTION! PLEASE NOTE:**

In the event you are experiencing any technical difficulties and you require additional assistance/ support with your product 'Mechanical/ Electrical' function - Please visit:

SUPPORT EMAIL: [support@bssbfurnitureinnovation.com](mailto:support@bssbfurnitureinnovation.com)

UK PRODUCT SUPPORT HOTLINE : 01462600064

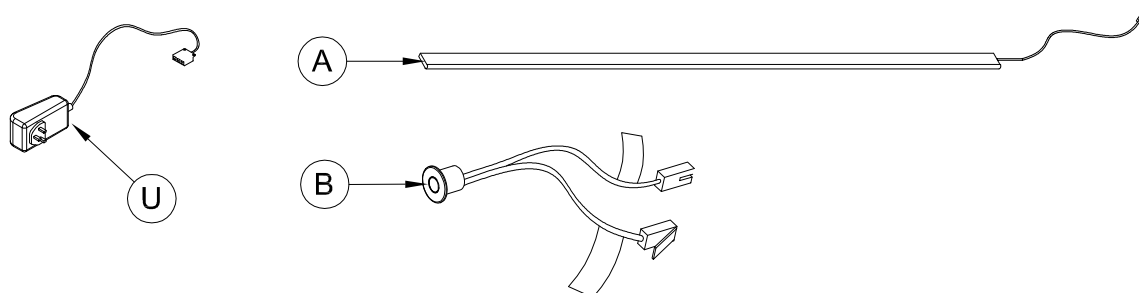
Contact your retailer for all other issues such as damage, missing or faulty components ( non electrical ) or anything else of a non technical/electrical nature.

## **SPECIFICATION**

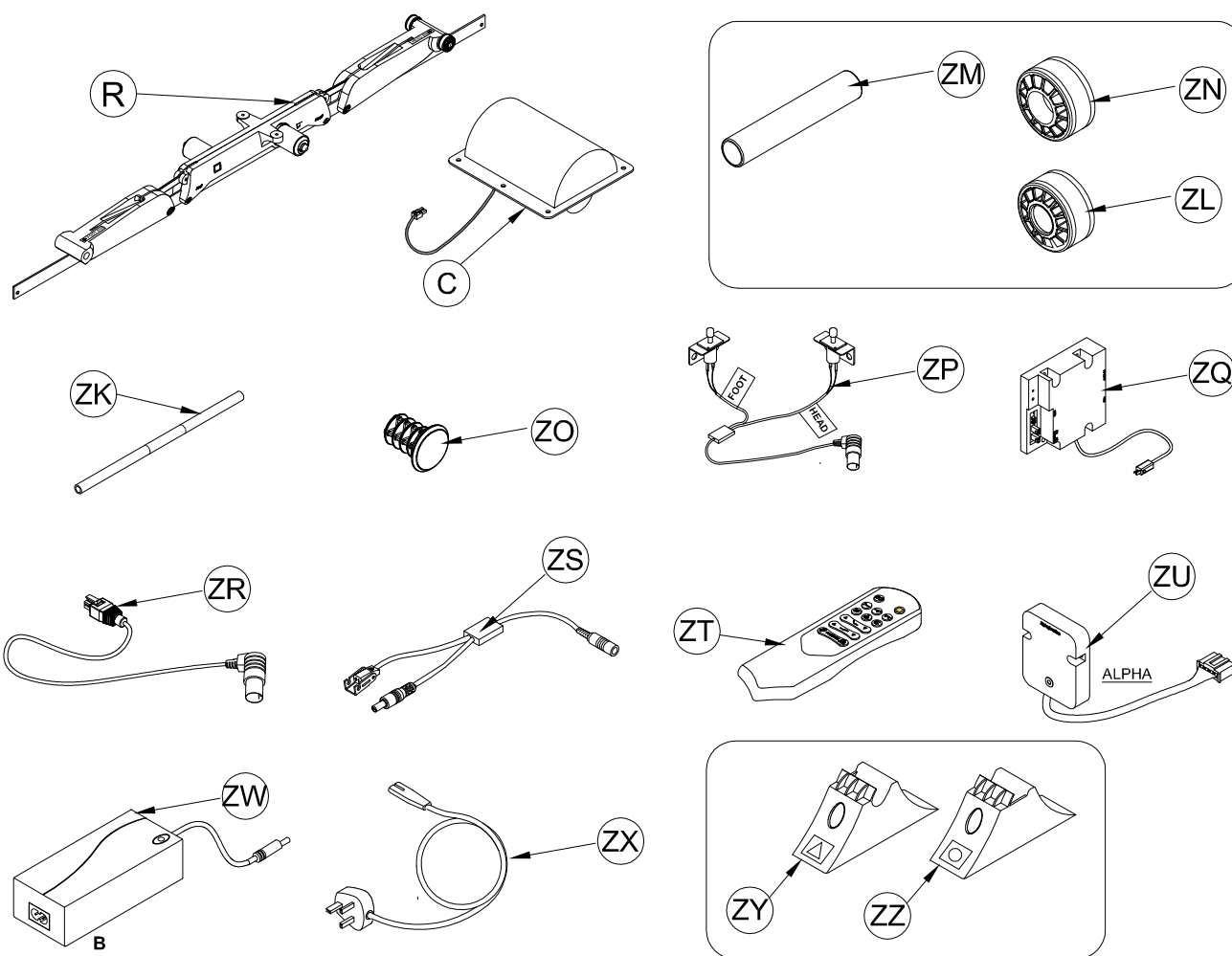
MODEL NO	MOTION DRIVER
MOTOR TYPE	24V DC
INPUT VOLTAGE	100~240V
MAXIMUM LOAD	200 kg
PRESSURE	8000N = 200kg
DISCONTINUOUS OPERATION	2 min. / 10 min.
RECOMMENDED AMBIENT TEMPERATURE	+10° bis + 40° C
RELATIVE HUMINITY	30% - 75%
WARRANTY	2 years

- 2 mins work with minimum 10mins rest.
- Caution: improper use may cause injury or damage.

## LED LIGHT - SPARE PARTS LIST



## LINEAR ACTUATOR - SPARE PARTS LIST



ITEM NO.	PART DESCRIPTION	IV CODES
A	LED Light Profile (1pc)	IV001437
B	Mini Touch Switch (Gun Metal) Input 12V DC, Output 12 V DC (1pc)	IV000074
U	3 Way AC Adaptor (1pc)	IV001436
R	Motion Driver (1pc)	IV000418
C	Massage Motor (1pc)	IV000119
ZK	Round Tube (1pc)	IV000474
ZM	MaxI Bar (2pc)	
ZN	Roller with Stopper (2pcs)	
ZL	Roller (2pcs)	IV000026
ZO	Roller Cap (2pcs)	
ZP	Motion Limit Switch (1pc)	IV000116
ZQ	Motion Main Controller (1pc)	IV000115
ZR	Cable (1pc)	IV000121
ZS	Y Power Cable (1pc)	IV000120
ZT	Wireless Remote Control (1pc)	IV000114
ZU	Voice Receiver & Controller - ALPHA (1pc)	IV000117
ZW	Power adaptor (1pc)	IV000112
ZX	UK Power Cord (1pc)	IV000795
ZY / ZZ	Round Tube holder Left (1pc) / Round Tube holder Right (1pc)	IV000475