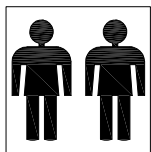


P.O.Number :
Please Keep This Number For
Future Reference
**THIS FORMS PARTS OF
YOUR GUARANTEE!!**

bensons
for beds

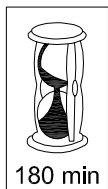


SLEEPWAVE ADJUSTABLE STORAGE BEDFRAME
1 END DRAWER 180 cm
STK814705 / STK814706

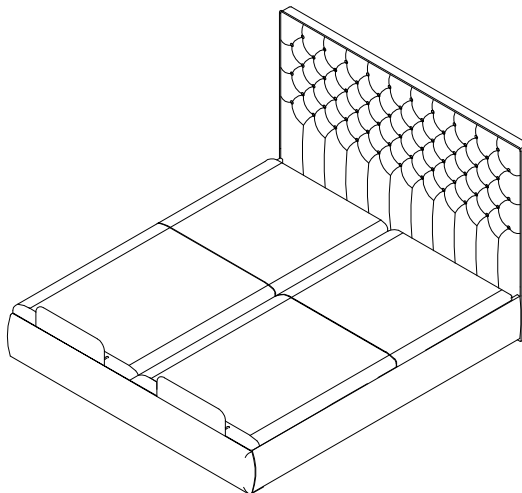
Assembly Instructions

Please keep these instructions for future reference.

**MINIMUM TWO
PERSON ASSEMBLY**



**APPROXIMATE
ASSEMBLY TIME**



Regrettably self-assembly items cannot be returned once assembly is part or fully completed unless the items are found to be faulty. Should you need to return the unassembled product, please repack in its original packaging.

Important Information

- We suggest you spend a short time reading through this leaflet and then follow the simple step-by-step instructions.
- Carefully check that you have all the parts before beginning assembly.
- Keep fittings out of children's reach and keep children well away from construction area.
- We suggest you retain these instructions for future reference.

Product Information

- Adjustable storage bed.
- Conforms to BSEN1725 Fabrics and Fillings to BS5852
- Electrical conformity (EMC) 2014/30/EU , (LVD) 2014/35/EU , (RED) 2014/53/EU , (RoHS) 2011/65/EU , (MD) 2006/42/EC

Care Instructions

- Avoid exposing the furniture to excessive heat or direct sunlight as this can cause deterioration of the color.
- Periodically check & re-tighten all fixings fastener.
- Periodically dust lightly with a clean soft cloth. We recommend hoovering to remove dust.
- Any spills should be removed immediately with a soft damp cloth.
- TAKE CARE WHEN MOVING THE FURNITURE AND TAKE CARE WHEN SPRAYING PERFUME AND DEODORANTS ETC AS THE VAPOUR CAN SETTLE ON THE FABRIC SURFACE AND CAUSE DAMAGE.
- NEVER DRAG THE PIECES ACROSS THE FLOOR, AS THIS WILL CAUSE DAMAGE TO THE JOINTS.

ATTENTION! PLEASE NOTE:

In the event you are experiencing any technical difficulties and you require additional assistance/ support with your product 'Mechanical/ Electrical' function - Please visit:

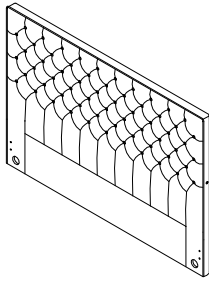
SUPPORT EMAIL: support@bssbfurnitureinnovation.com

UK PRODUCT SUPPORT HOTLINE : 01462600064

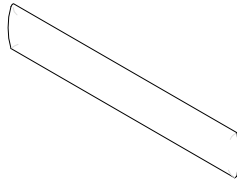
Contact your retailer for all other issues such as damage, missing or faulty components (non electrical) or anything else of a non technical/electrical nature.

Components of Carton 1

(A) Headboard x 1

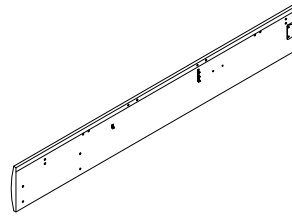


(B) Footboard x 1

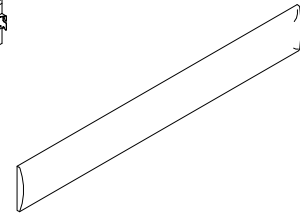


Component of Carton 2

(C) Side Rail Left
x 1

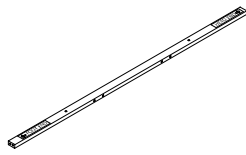


(D) Side Rail Right
x 1

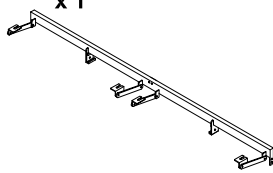


Components of Carton 3

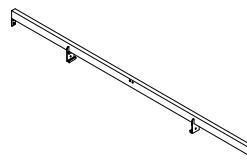
(E) Metal Centre Rail
x 1



(F) Front Metal Cross Rail
With Arm
x 1



(G) Back Metal Cross Rail
x 1



(H) Centre Support
Adjustable Leg
x 2



(I) Metal bracket left
x 4



(J) Metal bracket right
x 4



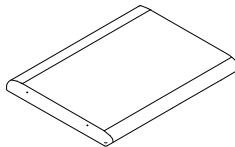
(K) Mattress Stopper With Pocket
x 2



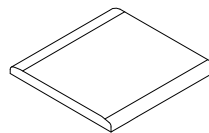
Hardware
Bag

Components of Carton 4

(L) Foot - Motion Base x 2

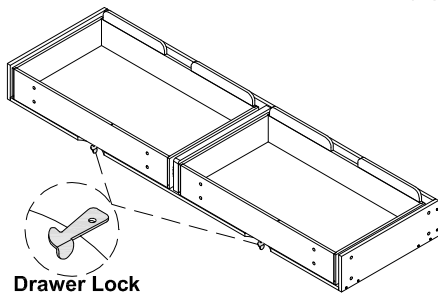


(M) Head - Motion Base x 2



Components of Carton 5

(N) Drawer Case x 1



Drawer Lock

(O) Drawer Fencing Pane
x 4



(P) Drawer leg
x 2

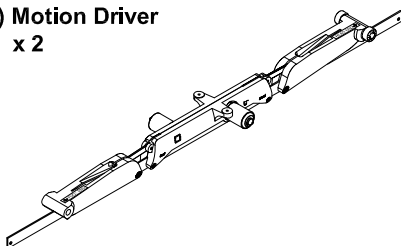


(Q) Drawer Center Leg
x 1

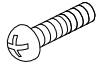
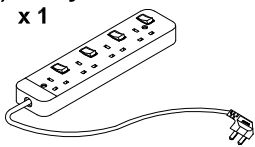
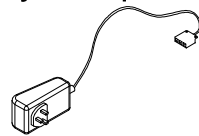


Components of Carton 6

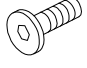
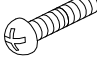
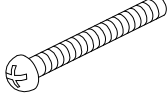
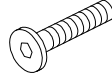


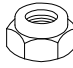
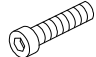
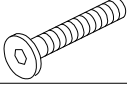
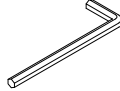
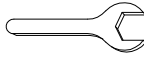


(R) Motion Driver
x 2



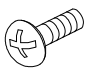
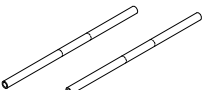
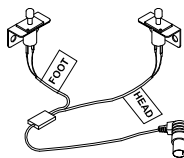
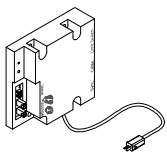
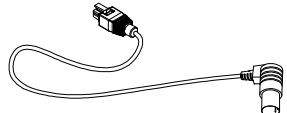
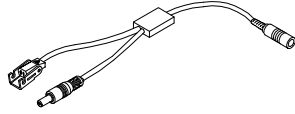

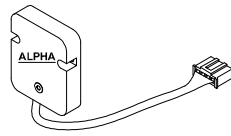
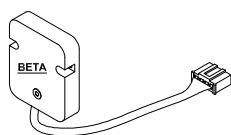
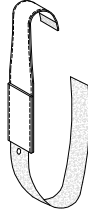
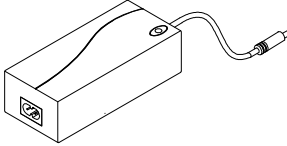
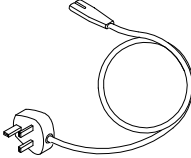
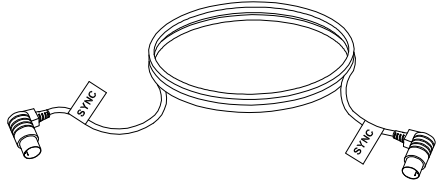
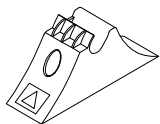
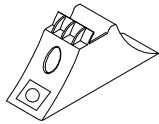
Hardware List (in Carton 1)

(S) PH M8 x 25mm x 4 (Pre-Installed) 	(T) 4 Way Extension Socket x 1 	(U) 3 way AC Adaptor x 1 	
--	--	---	--

Hardware List (in Carton 3)

(V) ALLEN HEAD M8 x 15mm x 52 	(W) PH M8 x 35mm x 12 	(X) PAN HEAD M8 x 60mm x 1 	(Y) ALLEN HEAD M8 x 30mm x 12 
(Z) FLAT WASHER M8 x 18mm x 8 	(ZA) SPRING WASHER M8 x 14mm x 4 	(ZB) M8 LOCK NUT x 4 	(ZC) ALLEN HEAD M6 x 30mm x 16 
(ZD) ALLEN HEAD M8 x 40mm x 6 (Pre-Installed) 	(ZE) ALLEN KEY M5 x 1 	(ZF) SPANNER (13mm) x 1 	(ZG) Screw Driver x 1 
(ZH) FLAT WASHER M8 x 22mm x 16 			

Hardware List (in Carton 5)

(ZI) PH SELF TAPPING SCREW M4 x 10mm x 2 (Pre-Installed) 	(ZJ) ROUND TUBE x 2 	(ZK) MOTION LIMIT SWITCH x 2 	(ZL) MOTION MAIN CONTROLLER x 2 
(ZM) CABLE x 2 	(ZN) 'Y' POWER CABLE x 2 	(ZO) WIRELESS REMOTE CONTROL x 2 BATTERIES x 6 	(ZP) VOICE RECEIVER (ALPHA) & CONTROLLER x 1 
(ZQ) VOICE RECEIVER (BETA) & CONTROLLER x 1 	(ZR) REMOTE & VOICE CONTROL POCKET x 2 	(ZS) POWER ADAPTOR x 2 	(ZT) AC POWER CORD x 2 
(ZU) SYNC CABLE x 1 	(ZV) ROUND TUBE HOLDER LEFT x 2 	(ZW) ROUND TUBE HOLDER RIGHT x 2 	

Tips before you start!

1. Please check that all parts are present before you start the assembly of your furniture.
2. Before starting the assembly, please decide the motion bed frame work as 2 single independently or work simultaneously as king size.
3. For ease and speed of assembly, we recommend that before you commence each step of the assembly, that you identify all the parts required for that step.
4. For larger items, please ensure that you have sufficient space and people (as indicated on page 1) to assemble your product safely. (Minimum Two Persons)
5. We recommend where possible, all items are assembled near to the area where they will be placed in use, to avoid moving the product unnecessarily once assembled.
6. Please ensure that your bed is placed on a level floor area. (Avoid setting up and installing your bed on uneven floor surface.
7. For the protection of your furniture, we recommend that the product is placed on a protected surface during assembly to prevent any damage.
8. During assembly please take care not to over-tighten any fittings, as this may damage the product.
9. Please ensure the motion bed is assembled as close as possible to the power supply source.

Care and Maintenance of your Furniture

- Please periodically check all fittings and re-tighten as necessary.
- To clean your item, please use a soft damp cloth and wipe clean.
- Please do not jump on your furniture.
- Never allow any kind of liquid to remain on your furniture. This can cause finishes to de-laminate. Take care when spraying Perfume and deodorants etc as the vapour can settle on the fabric surface and cause damage.
- It is important to Never Drag your bed as this can cause damage to the joints and the fixings. This may invalidate your guarantee.
- The bed should always be lifted into position or if moved for cleaning.

ATTENTION! PLEASE NOTE:

In the event you are experiencing any technical difficulties and you require additional assistance/ support with your product 'Mechanical/ Electrical' function - Please visit:

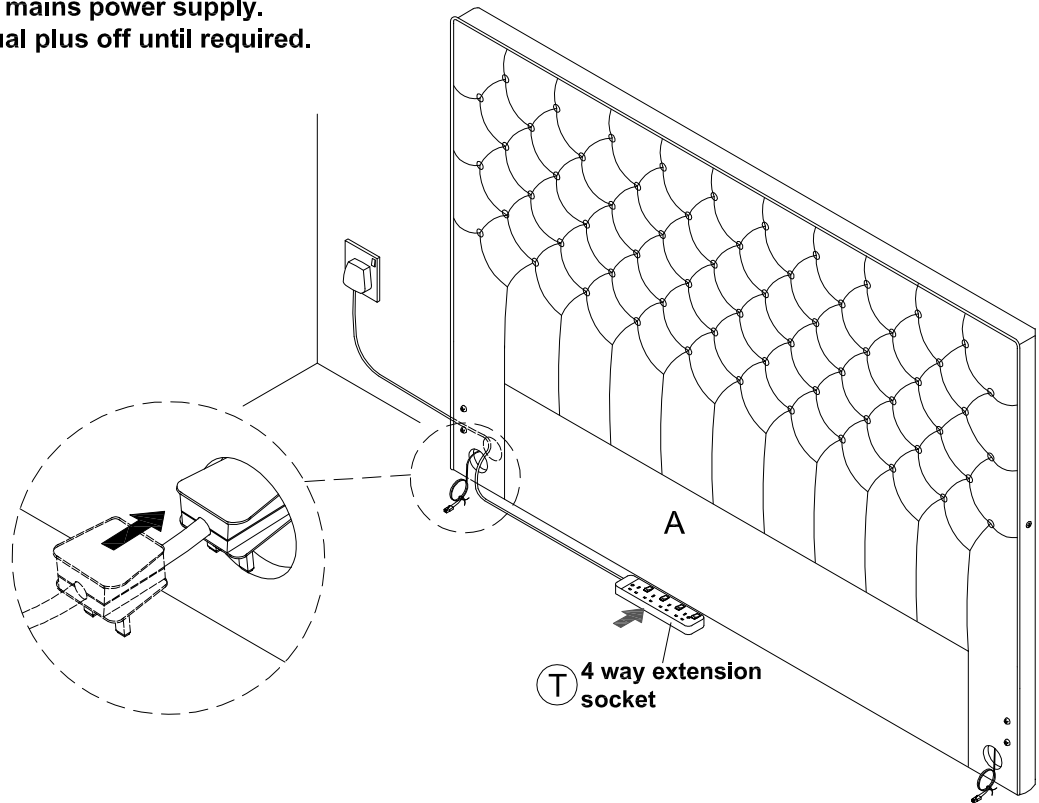
SUPPORT EMAIL: support@bssbfurnitureinnovation.com

UK PRODUCT SUPPORT HOTLINE : 01462600064

Contact your retailer for all other issues such as damage, missing or faulty components (non electrical) or anything else of a non technical/electrical nature.

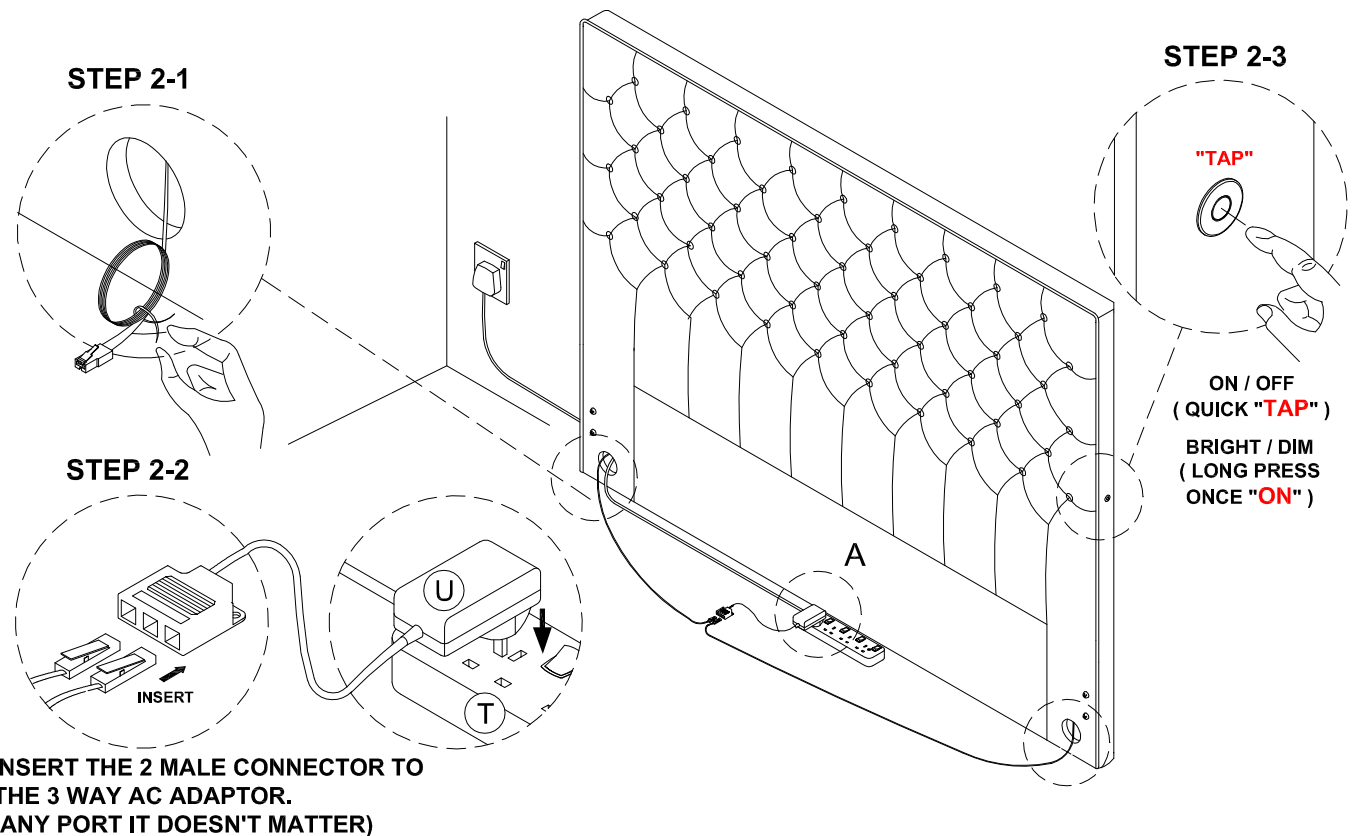
Step 1

- The headboard will be against the wall.
- Pass the 4 way extension power socket cable (T) through the cable holes located at both side of the headboard as shown.
- Connect the 4 way extension power socket cable (T) to a working mains power supply.
- Switching on the mains power supply.
- Keep the individual plus off until required.



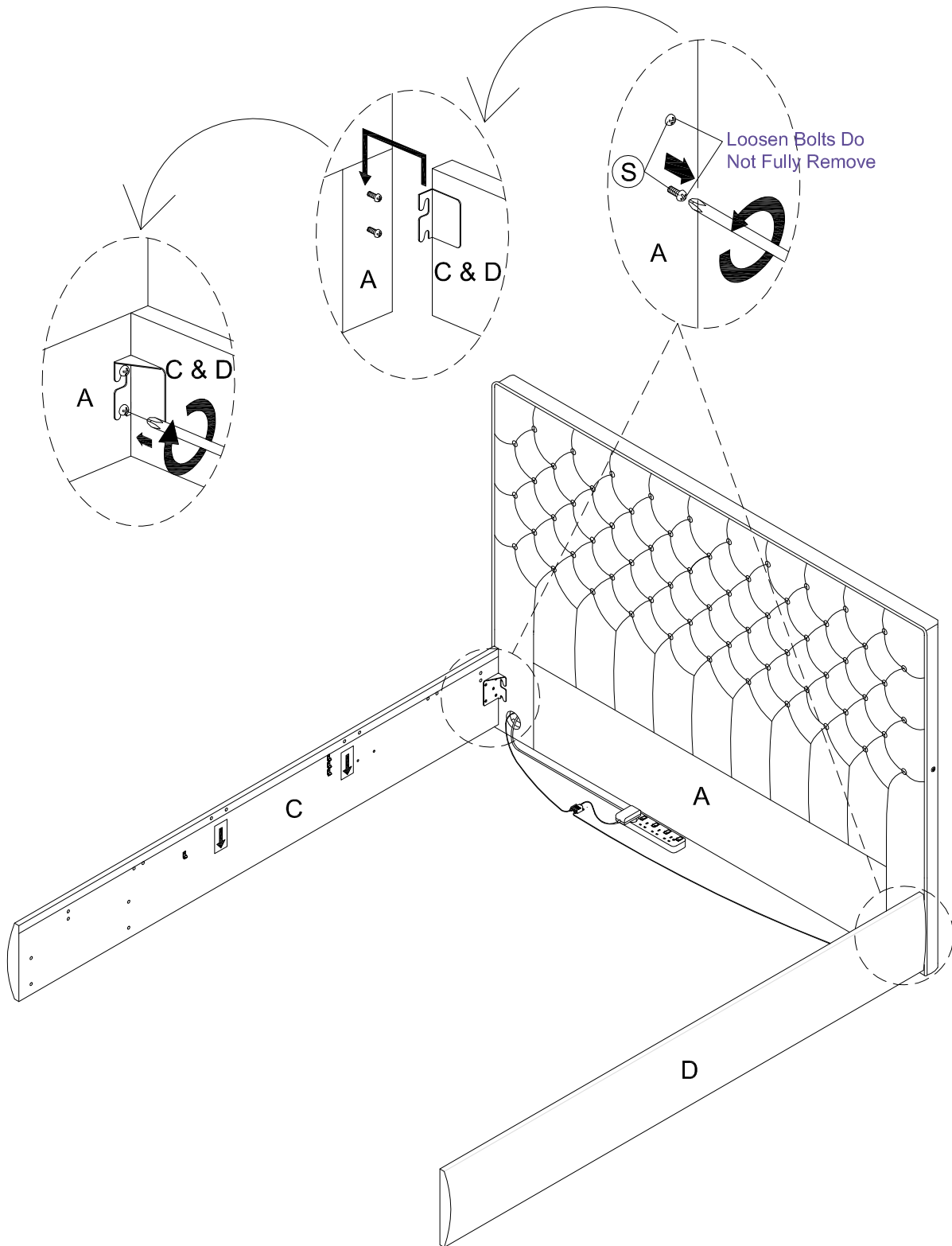
Step 2

- Untie the touch sensor switch male connector located at both side of the headboard.
- Insert male the connector to the 3 way AC adaptor (U), then plug into the extension sockets and switch on the power supply as shown.
- Touch the switch sensor located in the headboard to switch on the LED light as shown.



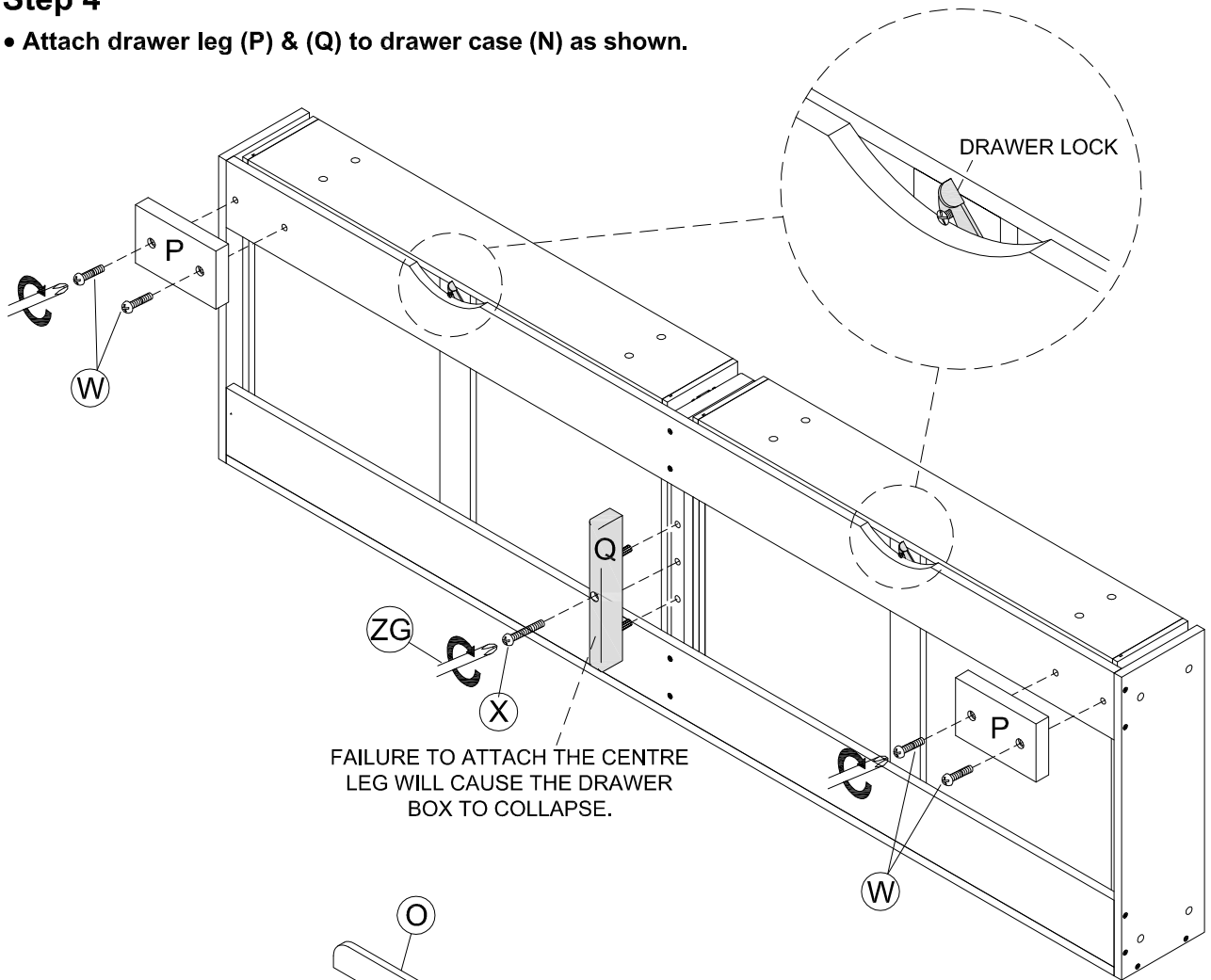
Step 3

- Loosen the bolts located in the head end.
- Please note these should only be loosened and **NOT** removed.
- Hook the side rail brackets over the bolts on both sides.
- Tighten the bolts.

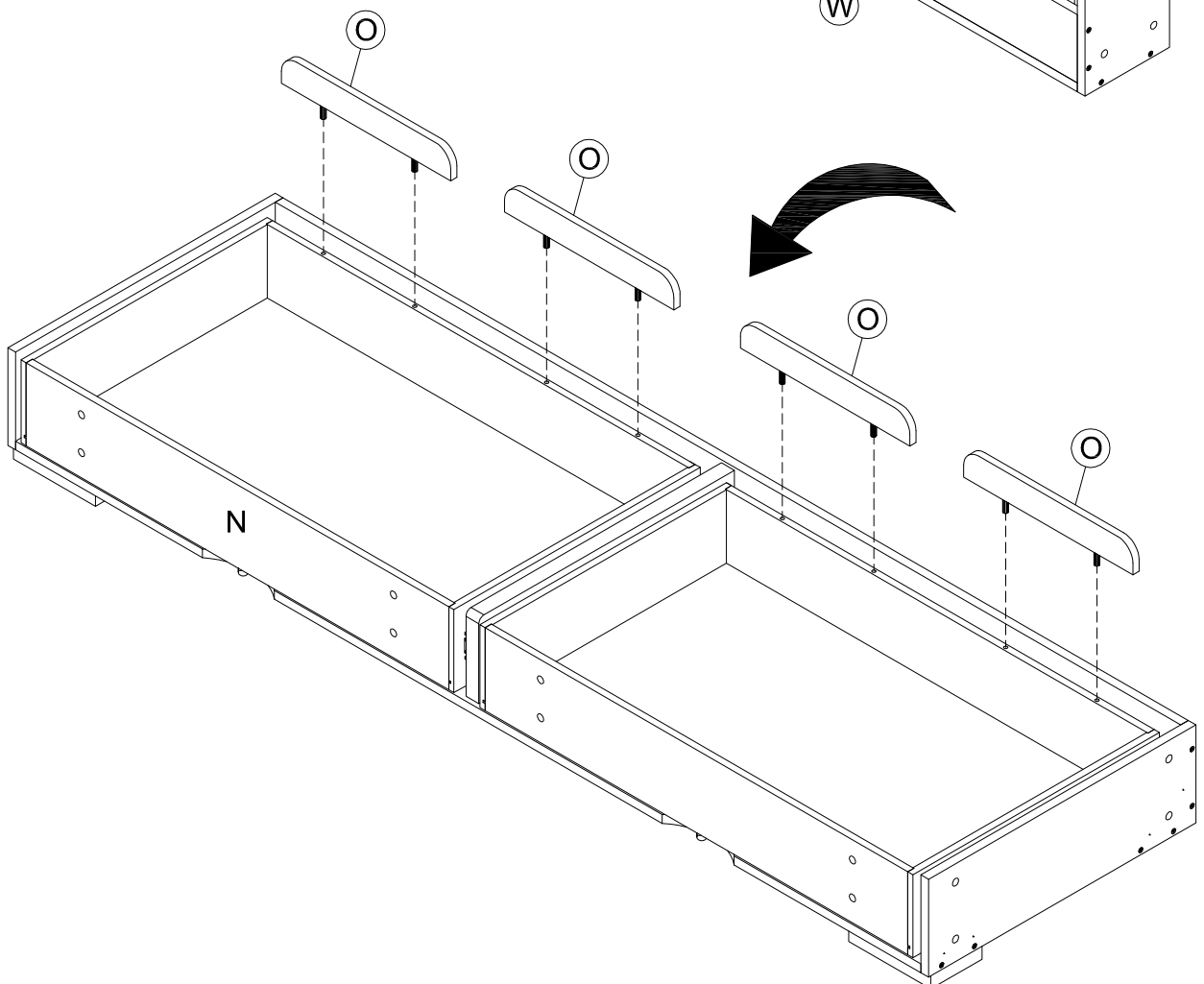


Step 4

- Attach drawer leg (P) & (Q) to drawer case (N) as shown.

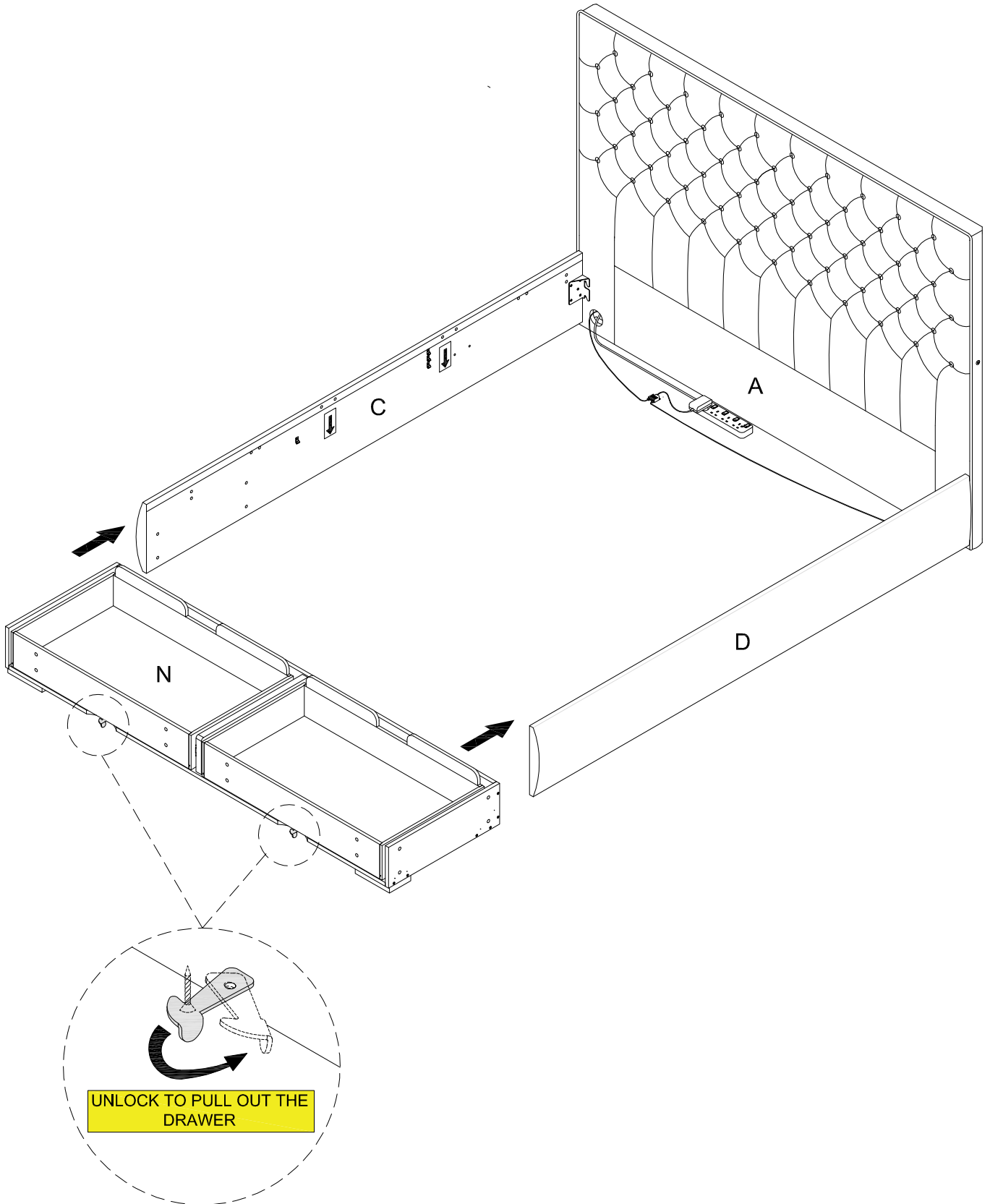


FAILURE TO ATTACH THE CENTRE LEG WILL CAUSE THE DRAWER BOX TO COLLAPSE.



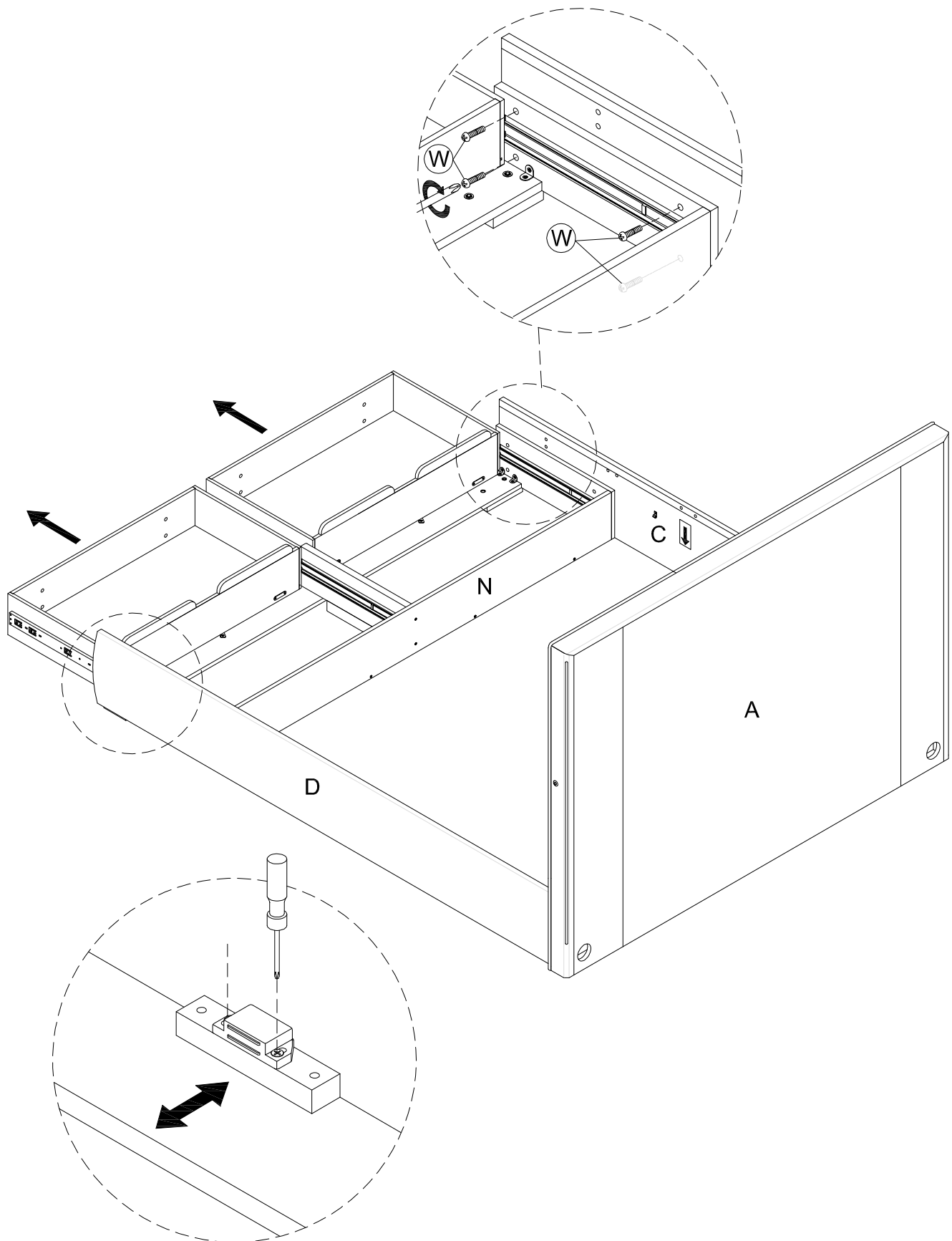
Step 5

- Attach the drawer base (N) to the side rail as shown.



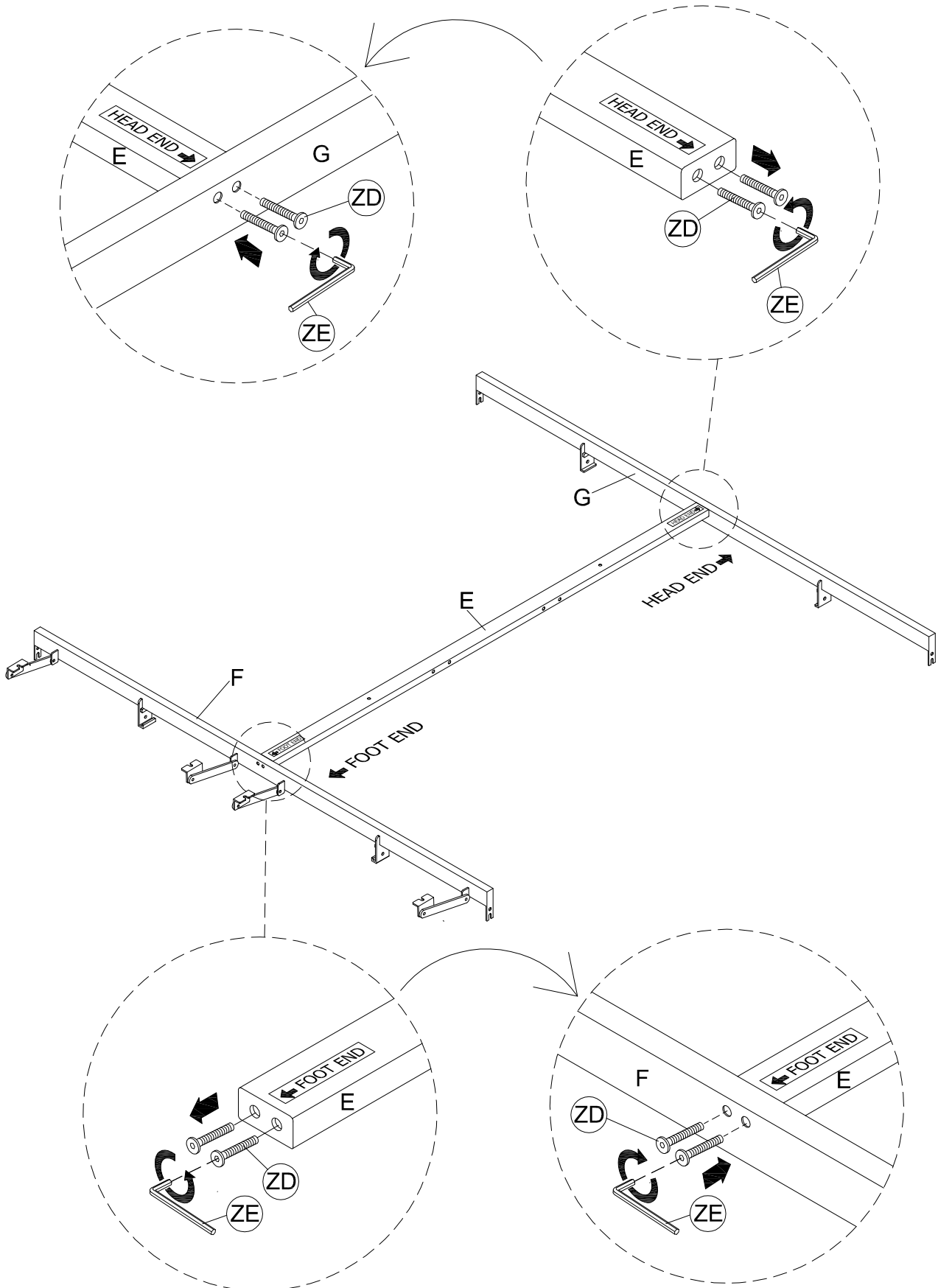
Step 6

- Unlock the drawer. Pull out the drawer box as shown and fix with the bolt provided (W) into the pre-drilled hole to the side rail tightly.
- The magnetic catch can be adjusted by unscrewing and moving forward or backward.



Step 7

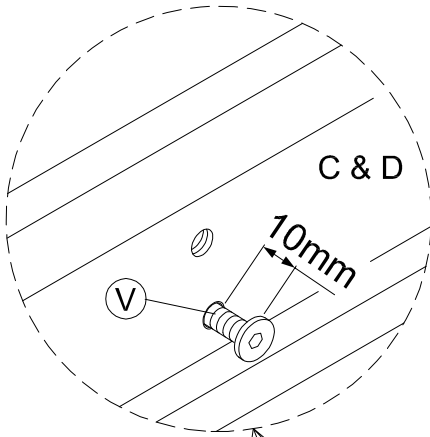
- Take out the pre-installed bolts from the Metal centre rail (E) as shown.
- Make sure the metal centre rail (E) correctly follows the Head end & Foot end marking.
- Fix the bolts to the Front metal cross rail (F) & Back metal cross rail (G) as shown.



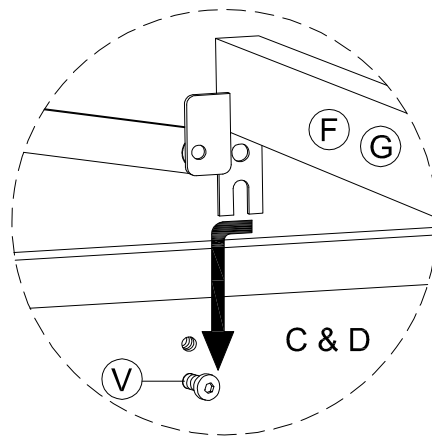
Step 8

- Fix bolts (V) with finger (approximate 10mm) to the side rail (C) & (D) as shown (Step 8-1).
- Hook the (Ready assemble-metal centre rail (E) ,front metal cross rail (F) & back metal cross rail (G) to the side rail as shown (Step 8-2).
- Tighten the metal cross rail (F) & (G) with the bolts (V) as shown (Step 8-3).

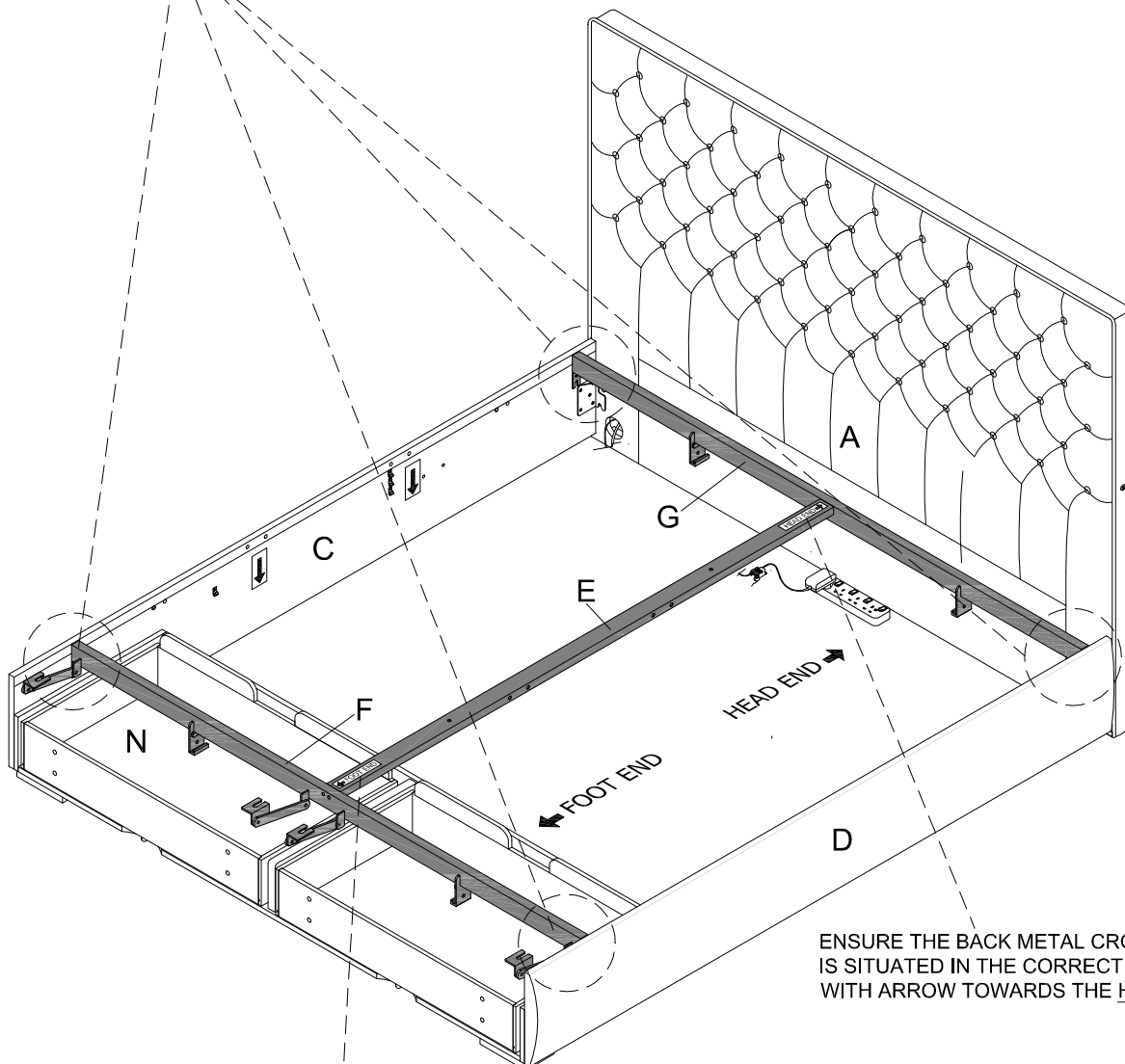
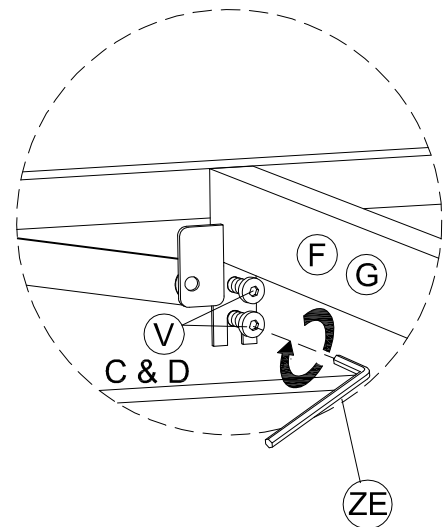
Step 8-1



Step 8-2



Step 8-3

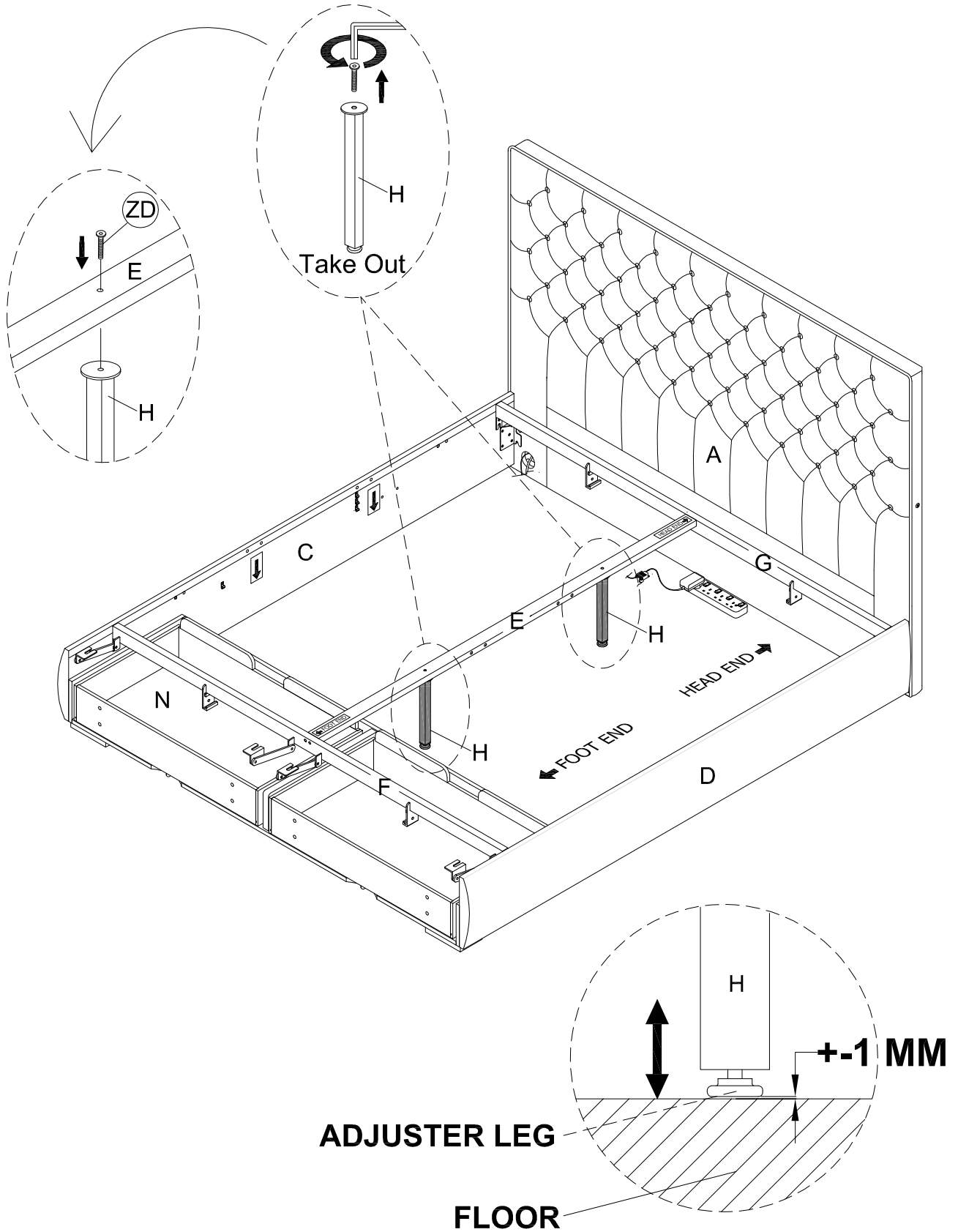


ENSURE THE FRONT METAL CROSS RAIL WITH ARM (F) IS SITUATED IN THE CORRECT DIRECTION WITH ARROW TOWARDS THE FOOT END

ENSURE THE BACK METAL CROSS RAIL (G) IS SITUATED IN THE CORRECT DIRECTION WITH ARROW TOWARDS THE HEAD END

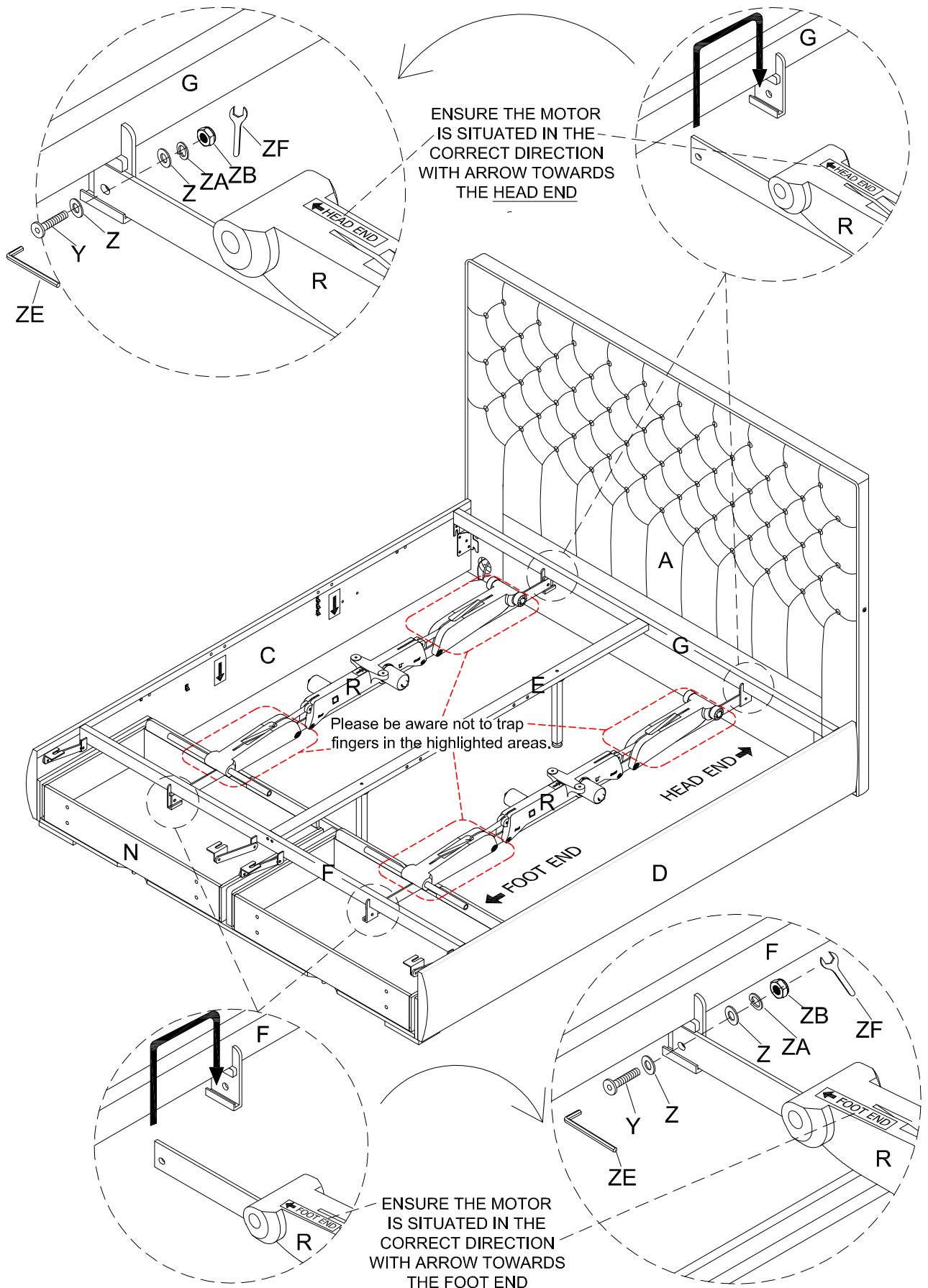
Step 9

- Take out the bolts pre-installed from the centre support leg (H) as shown.
- Fix the bolts to the metal centre rail (E) as shown.
- The adjuster leg level can be adjust according to needs.



Step 10

- Attach the Motion driver (R) to the metal cross rail (F) & (G) as shown.
- The Motion driver (R) must slot in the groove in centre panel support (E).
- The Motion driver (R) must follow the Head end & Foot end marking.
- Fix the Motion driver (R) with bolt (Y), Washer (Z) & (ZA) & Lock nut (ZB) as shown.

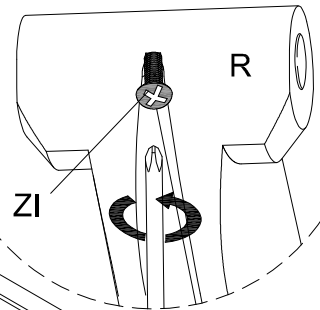


Step 11

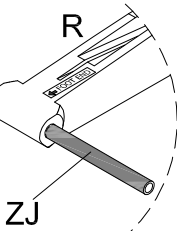
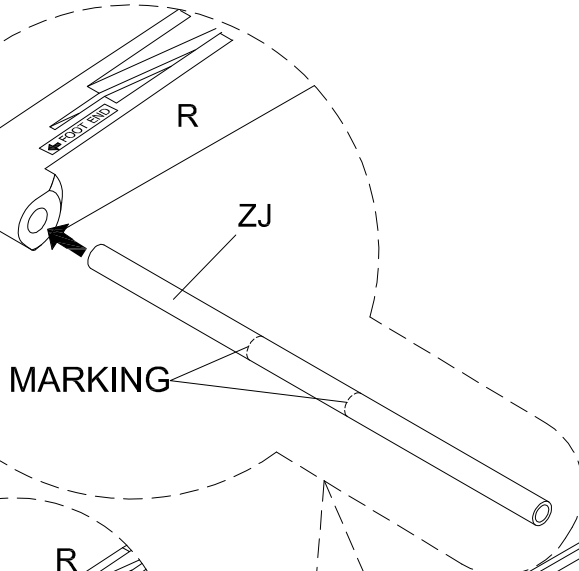
- Loosen the bolts (ZI) at the underside of motion driver (R) as shown (Step 11-1).
- Insert the round tube (ZJ) to the middle of motion driver (R) follow the marking as shown (Step 11-2).
- Lift up the driver & tighten both side the bolt (ZI) pre-attach to the bottom of motion driver (R) as shown (Step 11-3).

(Step 11-1)

LOOSEN FIRST

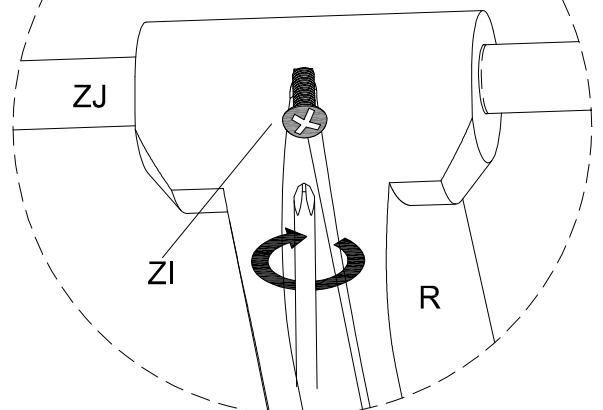


(Step 11-2)



(Step 11-3)

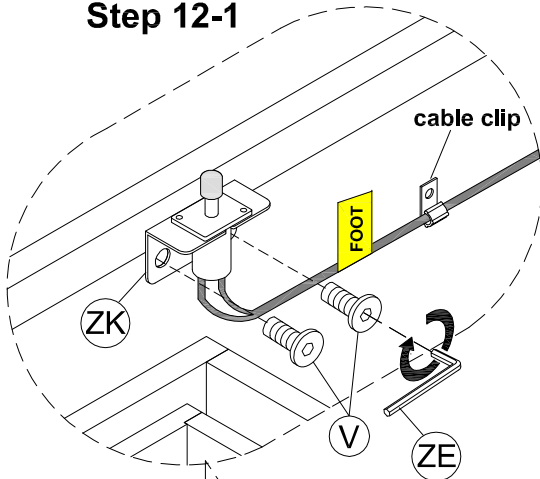
MUST TIGHTEN



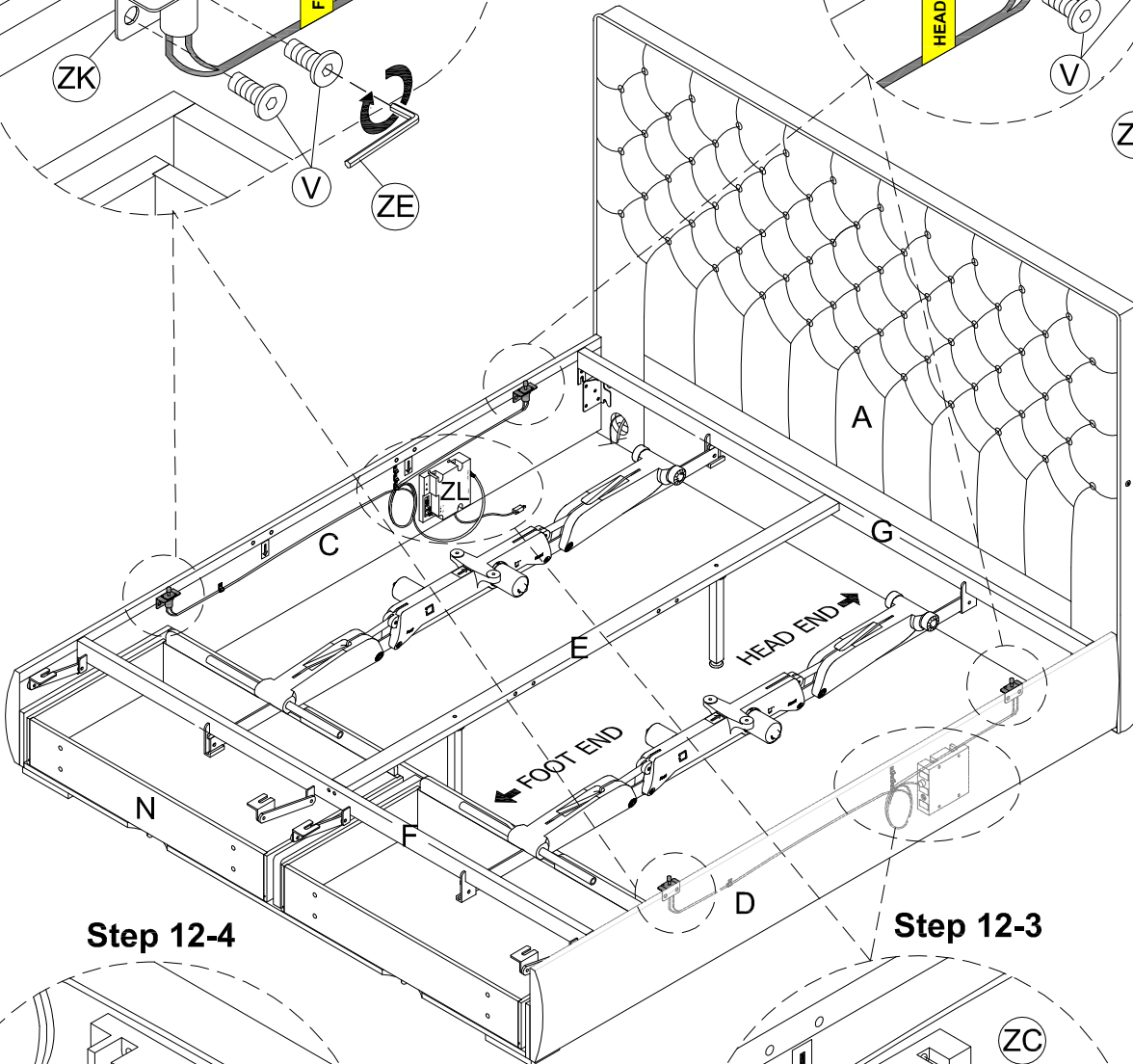
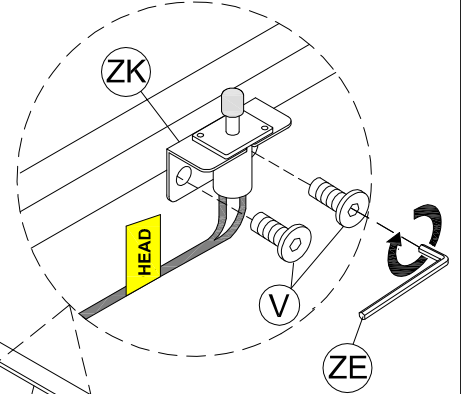
Step 12

- Attach the motion limit switch(ZK) follow the label (FOOT / HEAD) to the side rail (C) & (D) with bolts (V) as shown (Step 12-1) & (Step 12-2).
- Place the cables through the cable clip pre-attach on the side rail as shown.
- Attach the motion main controller (ZL) to the side rail (C) & (D) with bolts (ZC) as shown (Step 12-3).
- Plug in the both motion limit switch socket (ZK) to the motion main controller (ZL) as shown (Step 12-4).
- Repeat the step on other side.

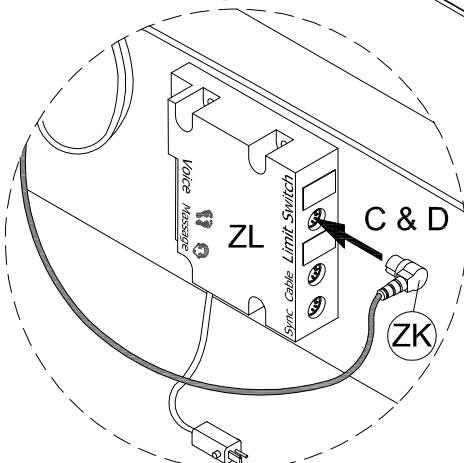
Step 12-1



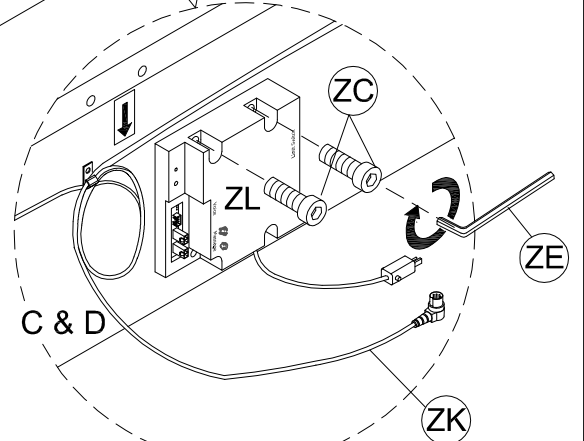
Step 12-2



Step 12-4



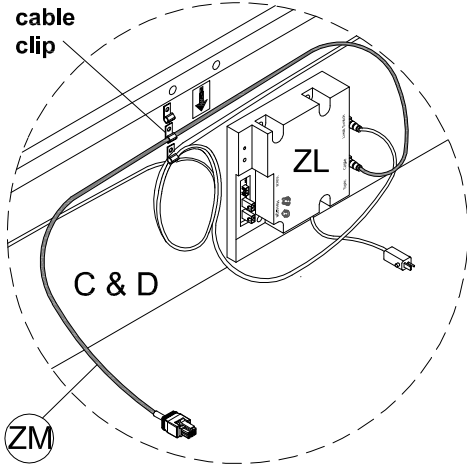
Step 12-3



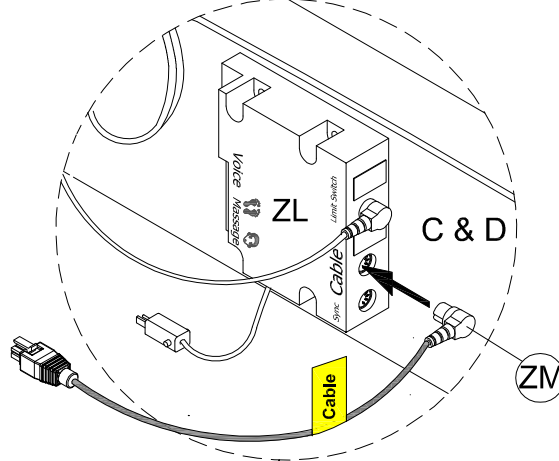
Step 13

- Connect the cable (ZM) to the motion main controller (ZL) and motion driver (R) as shown (Step 13-1-1), (Step 13-1-2) & (Step 13-1-3).
- Place the cables through the cable clip pre-attached on the side rail as shown.
- Repeat the step on other side.

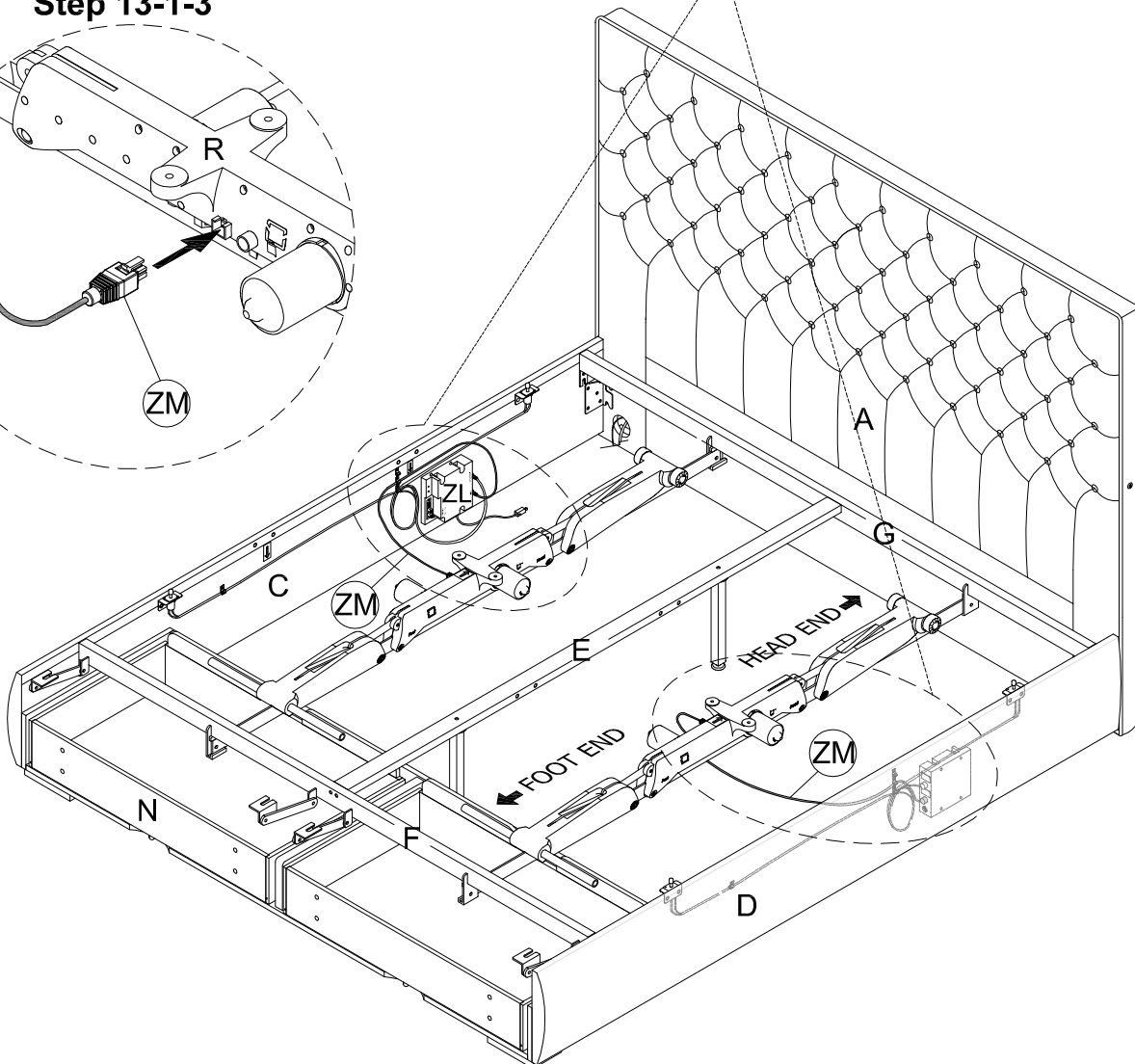
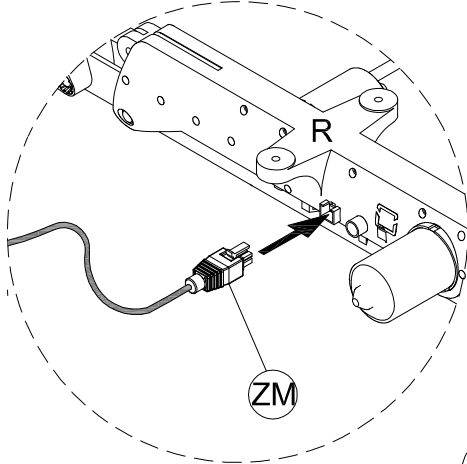
Step 13-1-2



Step 13-1-1



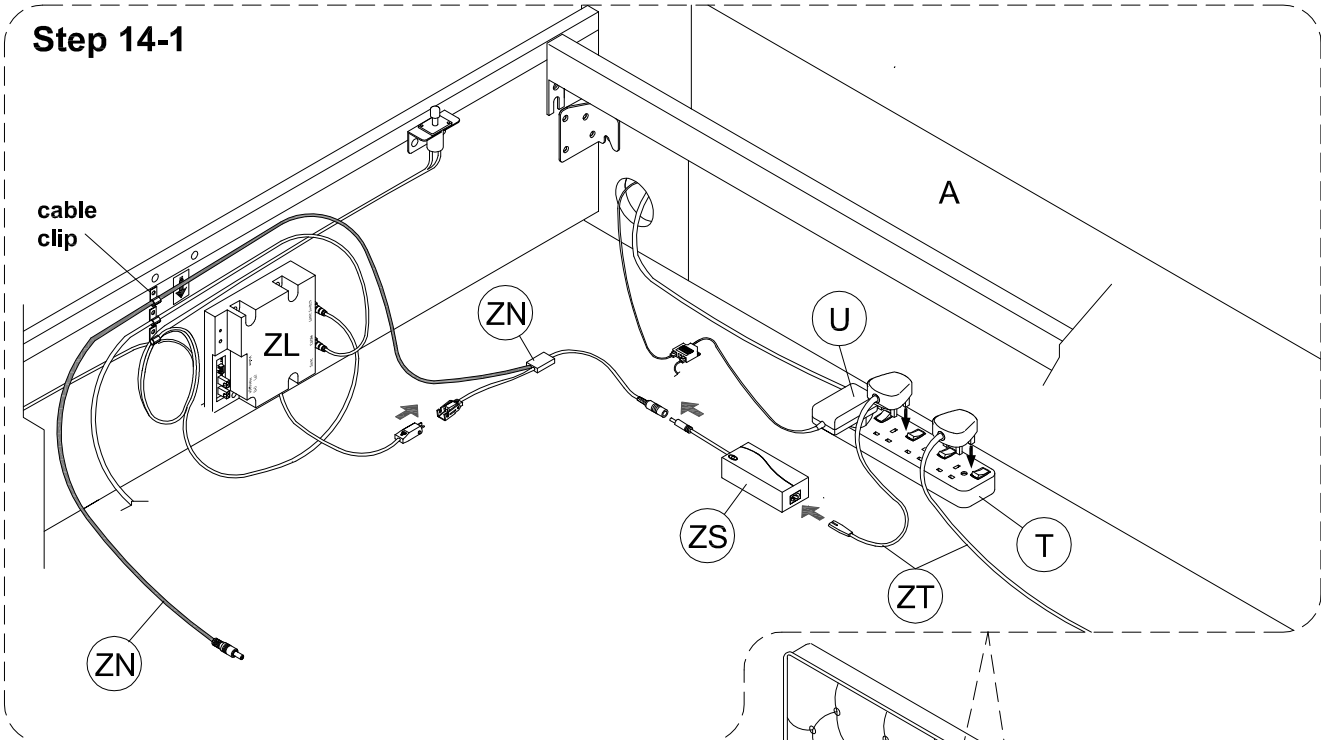
Step 13-1-3



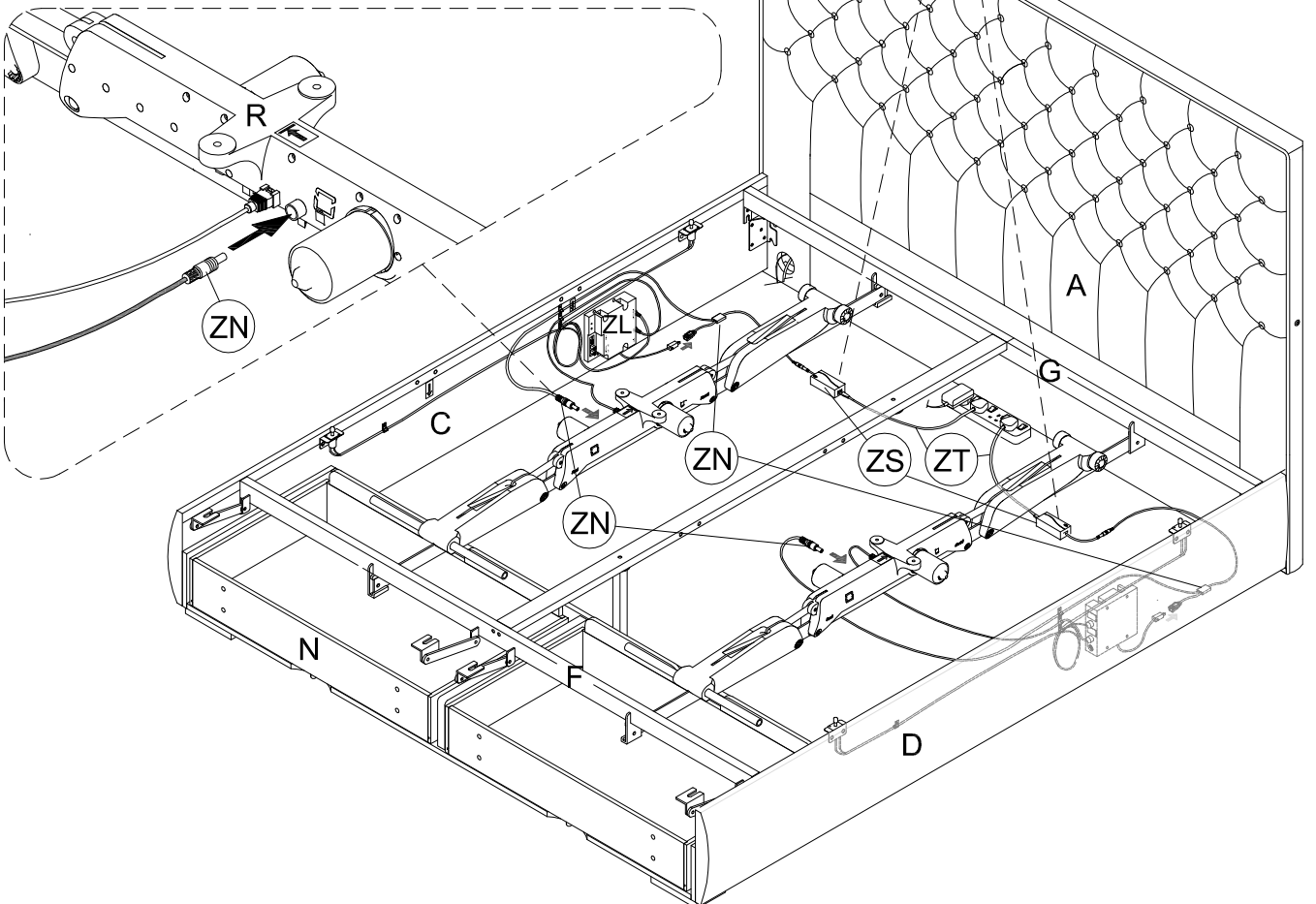
Step 14

- Connect the AC power cord (ZT) to the power adaptor (ZS) and 4 way extension socket (T) as shown (Step 14-1), Ensuring the extension plug socket is switched to off until required.
- Connect the "Y" power cable (ZN) to the power adaptor (ZS), motion main controller (ZL) and motion driver (R) as shown (Step 14-2).
- Place the cables through the cable clip pre-attach on the side rail as shown.
- Repeat the step on other side.

Step 14-1



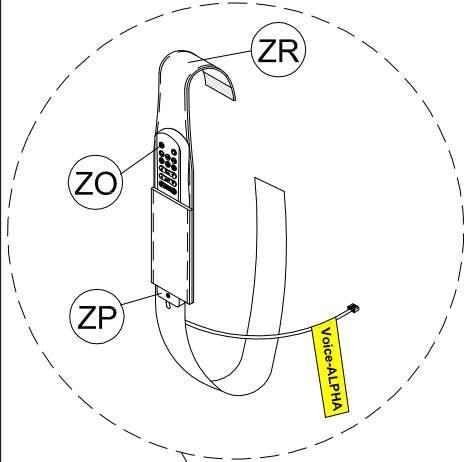
Step 14-2



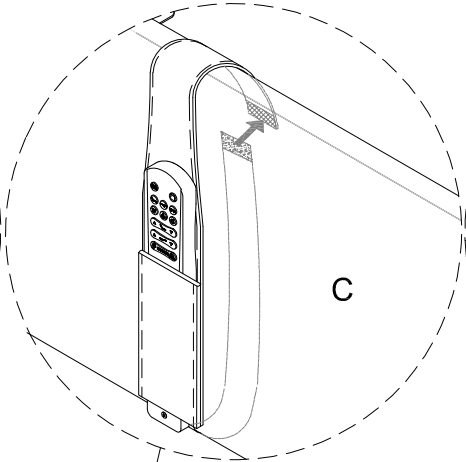
Step 15

- Place the wireless remote control & voice receiver-ALPHA pocket (ZO) ,(ZR) wrap up to the side rail (C) tighten with Velcro as shown in (Step 15-1) & (Step 15-2).
- Connect the voice receiver-ALPHA controller (ZP) cable to the motion main controller (ZL) as shown (Step 15-3).

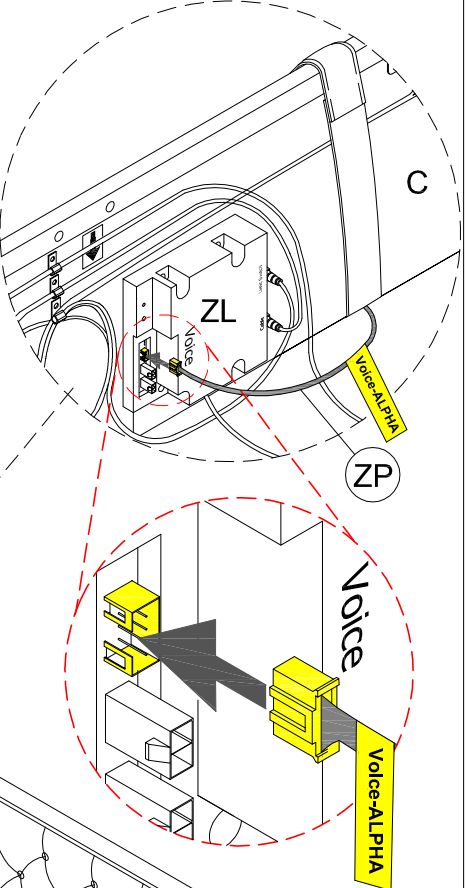
Step 15-1



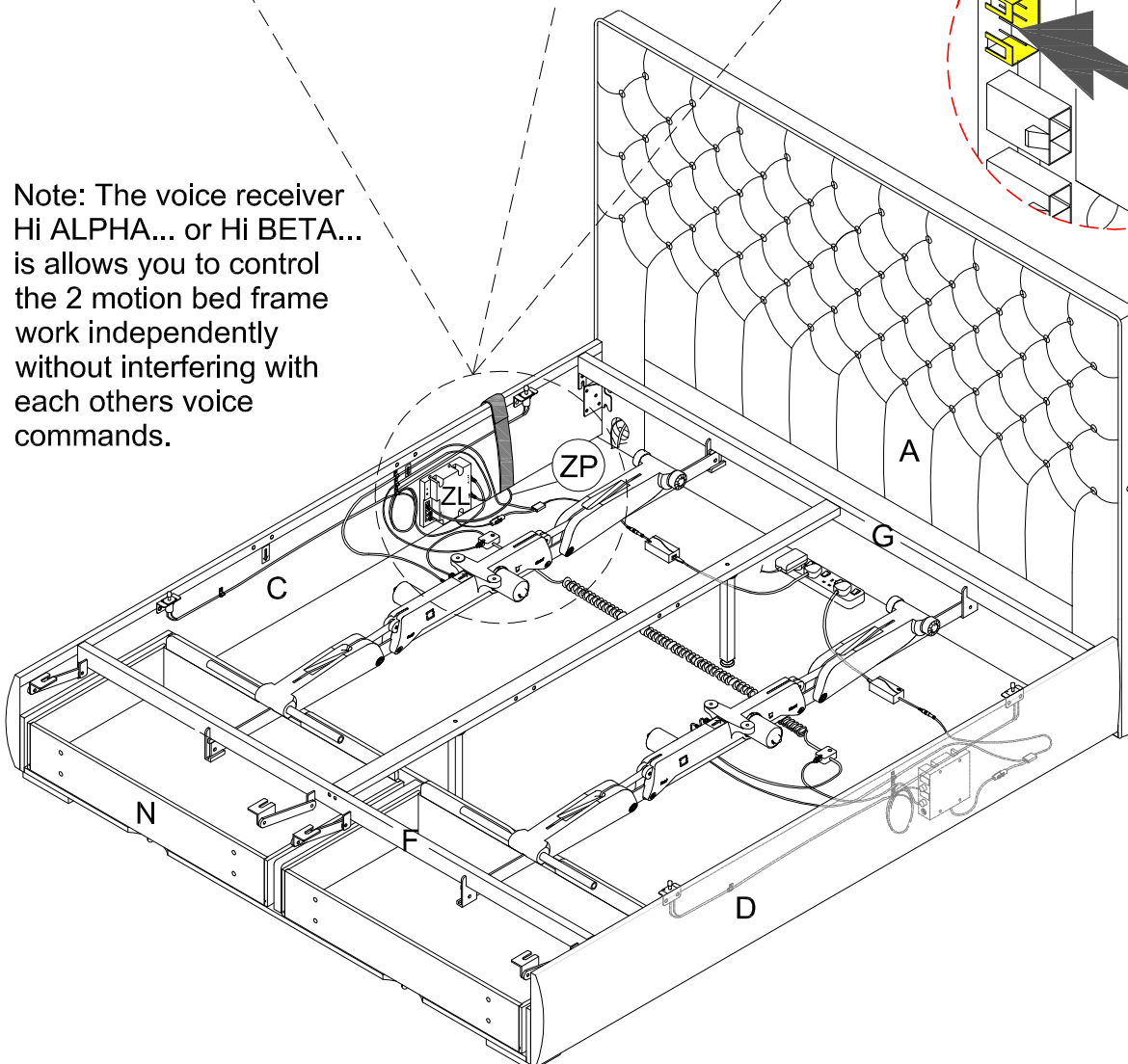
Step 15-2



Step 15-3

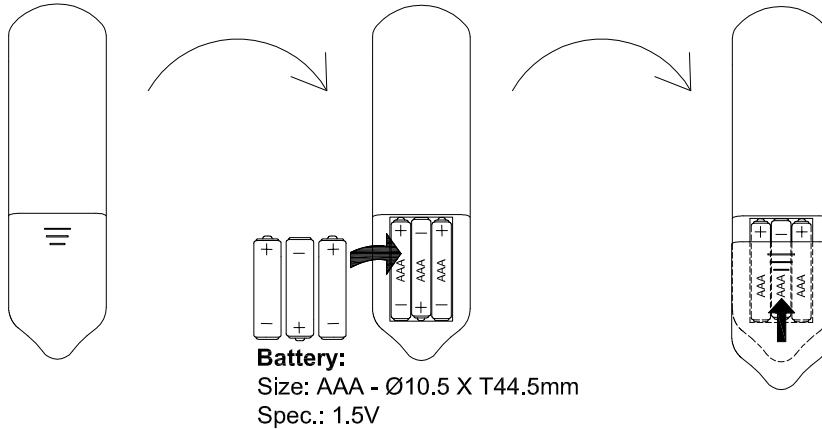


Note: The voice receiver Hi ALPHA... or Hi BETA... is allows you to control the 2 motion bed frame work independently without interfering with each others voice commands.

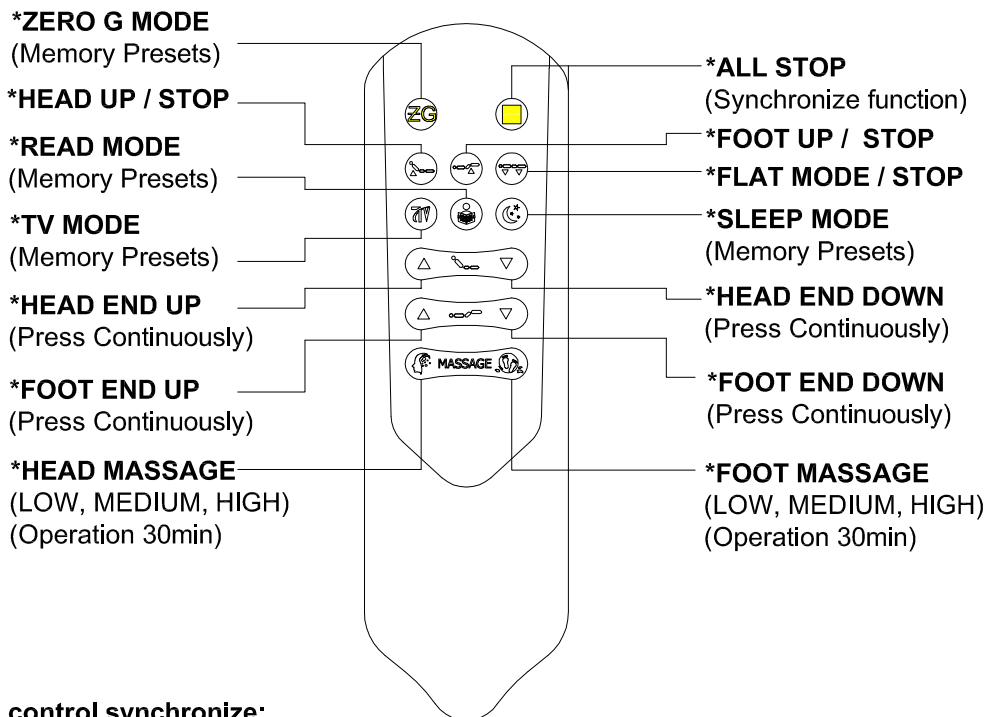


Step 16

- Unpack the remote control & battery from pack.
- Turn around the remote control, then press and slide the back cover to open the battery compartment of the remote control.
- Insert three AAA size batteries. Make sure the (+) and (-) terminals of the batteries match the (+) and (-) terminals indicated in the battery compartment.
- Slide up to close the battery compartment cover.



WIRED REMOTE CONTROL OPERATING INSTRUCTION




Wireless remote control synchronize:


Every wireless remote control will be factory pre-set. If the wireless remote control is not working, please re-synchronize the wireless remote controls follow the step below.

Step 1 : Be sure to insert the batteries with correct positive “+” and negative “-” polarities.





(Press any buttons on the wireless remote control the wireless remote control indicator will light up).

Step 2 : Turn on the main power supply.

Step 3 : Long press the buttons (**ALL STOP**)  3~5s until the wireless remote control button starts flashing and wait until stops flashing.

Step 4 : Press the buttons (**HEAD UP**)  the motion bed lifts the head end. Now the wireless remote control is in working condition.

Wireless remote control (Memory Presets)

The system already pre-set 4 memory posture position.     If you want to change and setting you own comfort posture position, please follow the steps below.

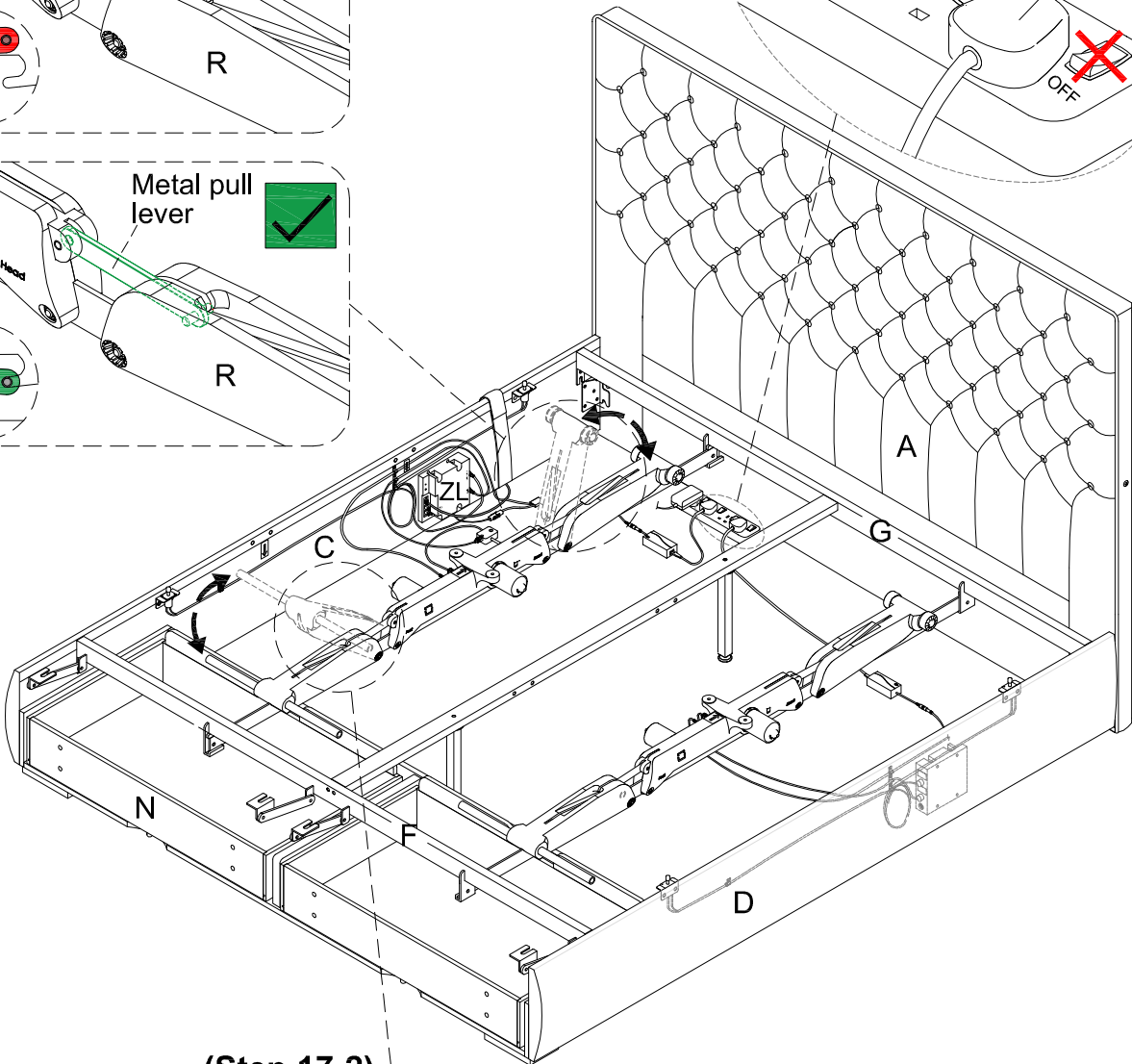
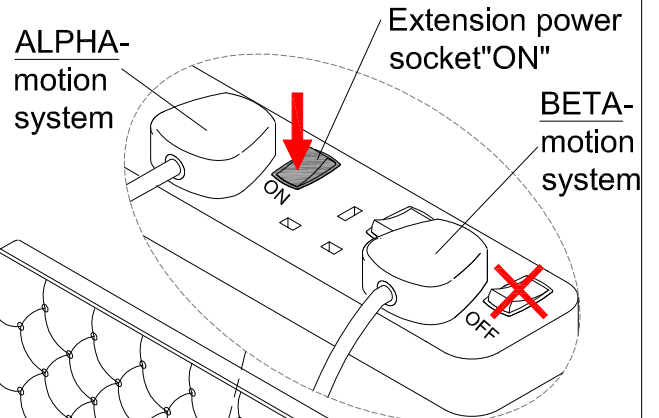
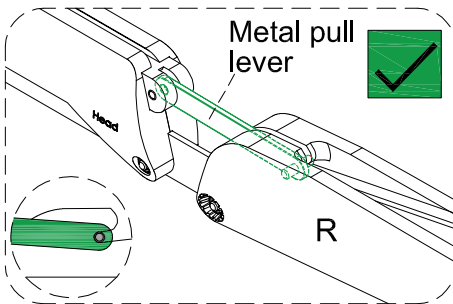
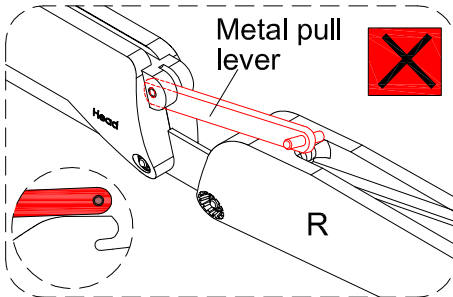
Step 1: Press the wireless remote control HEAD END / FOOT END (UP & DOWN) buttons to find your desired posture comfort position.

Step 2: Select the desired memory presets button     and Long press the buttons 3~5s until the wireless remote control button starts flashing and wait until stops flashing. The memory presents is complete.

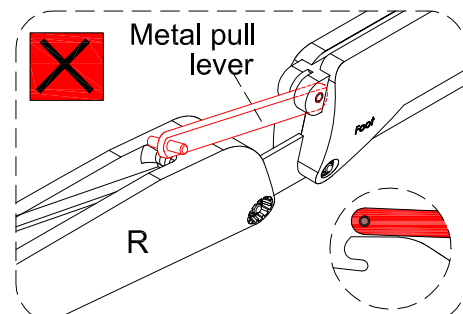
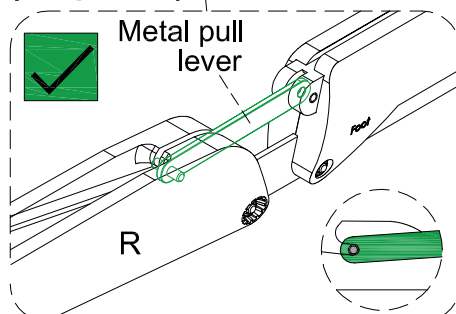
Step 17

- Make sure the motion driver (R) metal pull lever completely slots inside the groove (step 17-1) & (step 17-2).
- Every wireless remote control should only working with one motion system. To avoid the one wireless remote control synchronite to two motion system in the same time, we recommend to turn off the other side power when re-synchronite the wireless remote control .
- Only switch "ON" the ALPHA-motion system power socket as shown.
- Use wireless remote control to lift up & lower down the motion driver (R) several times.

(Step 17-1)



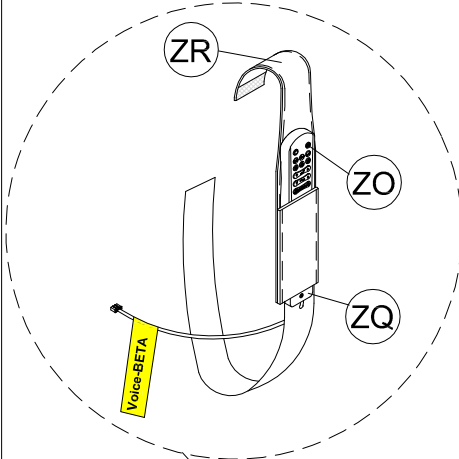
(Step 17-2)



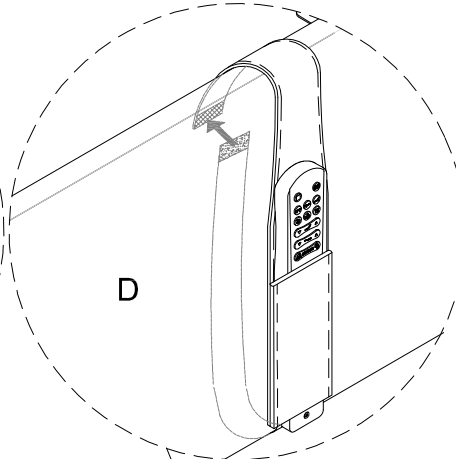
Step 18

- Place the wireless remote control & voice receiver-BETA pocket (ZO) ,(ZQ),(ZR) wrap up to the side rail (D) tighten with Velcro as shown in (Step 18-1) & (Step 18-2).
- Connect the voice receiver-BETA controller (ZQ) cable to the motion main controller (ZL) as shown (Step 18-3).

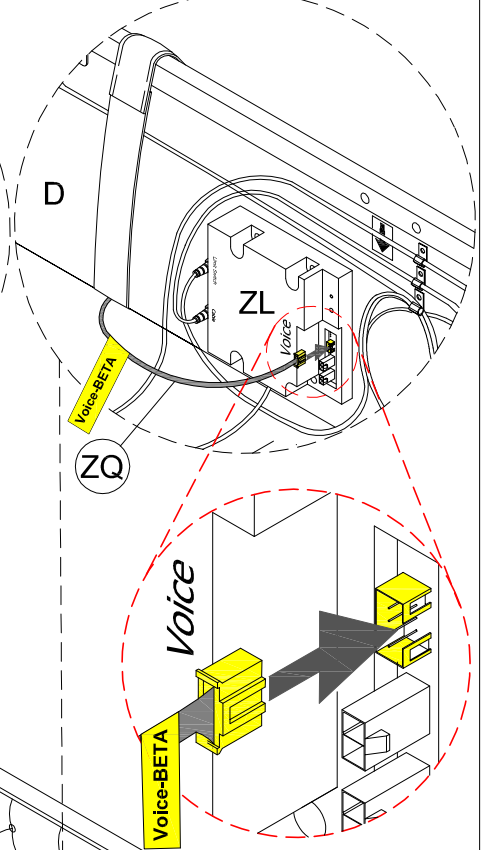
Step 18-1



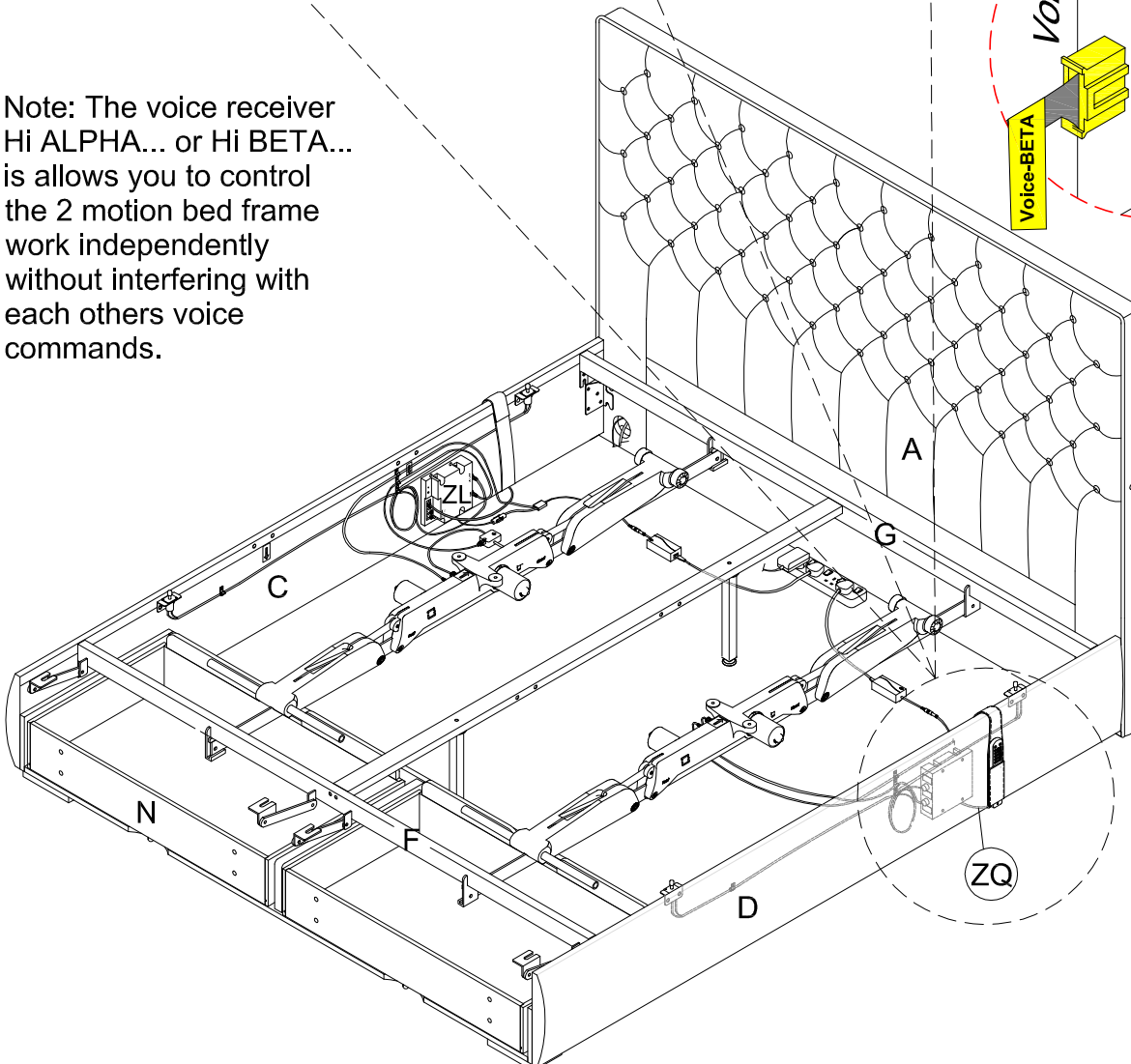
Step 18-2



Step 18-3



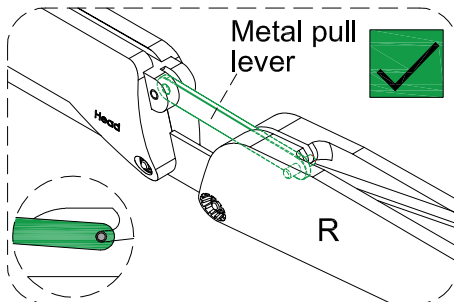
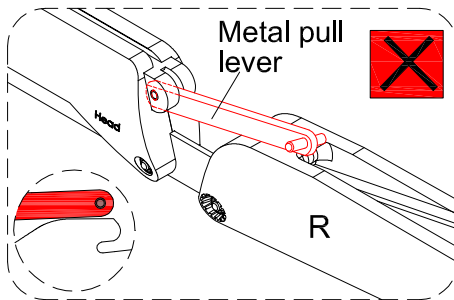
Note: The voice receiver Hi ALPHA... or Hi BETA... is allows you to control the 2 motion bed frame work independently without interfering with each others voice commands.



Step 19

- Make sure the motion driver (R) metal pull lever completely slots inside the groove (step 19-1) & (step 19-2).
- Every wireless remote control should only working with one motion system. To avoid the one wireless remote control synchronite to two motion system in the same time, we recommend to turn off the other side power when re-synchronite the wireless remote control.
- Only switch "ON" the Beta-motion system power socket as shown.
- Use wireless remote control to lift up & lower down the motion driver (R) several times.

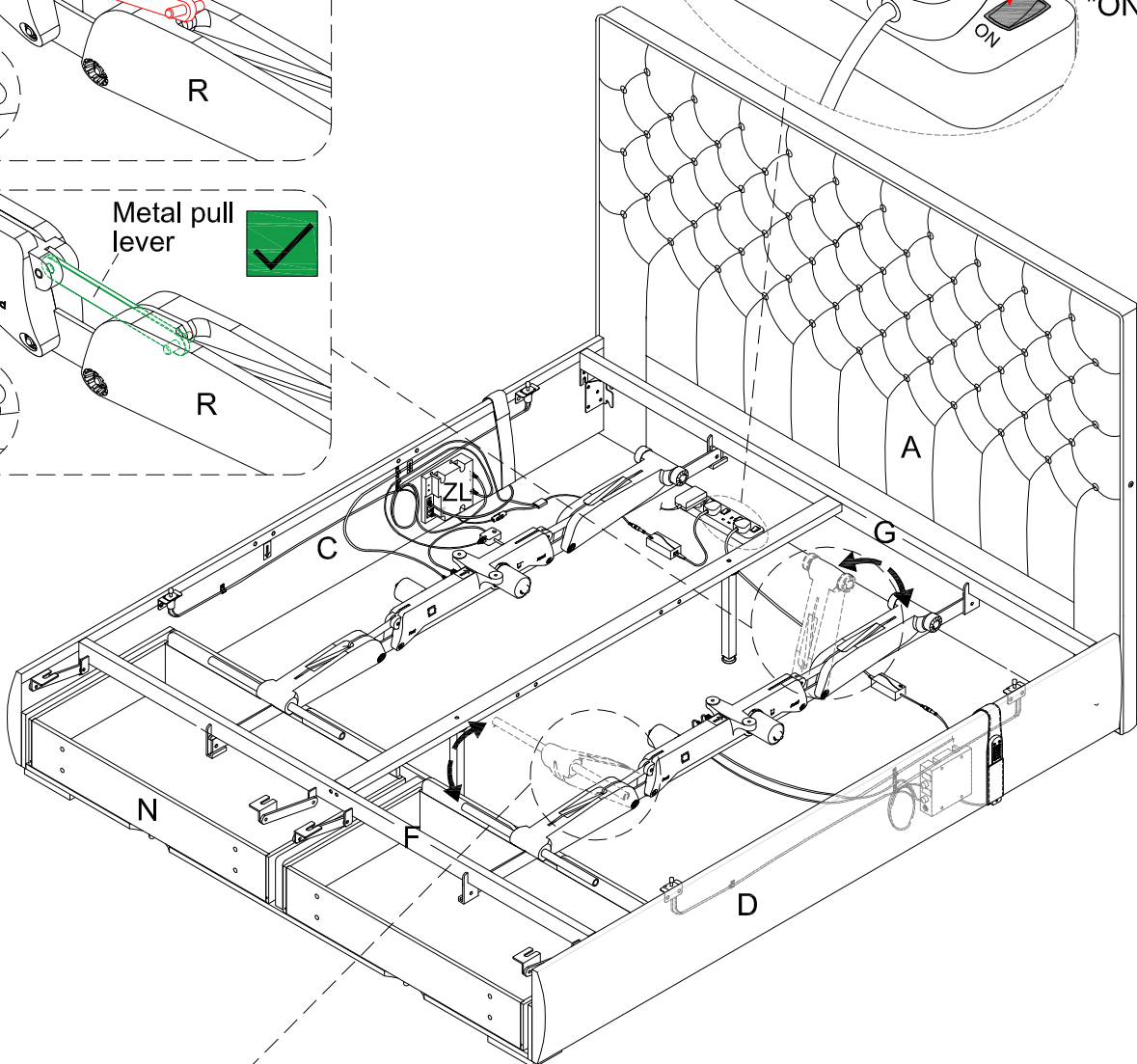
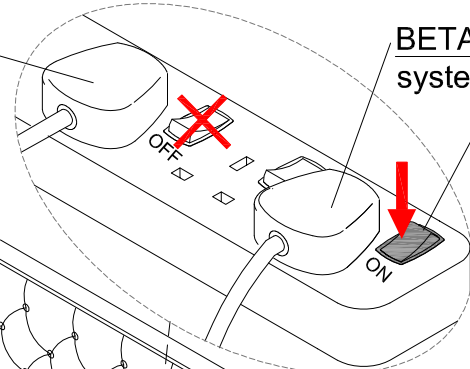
(Step 19-1)



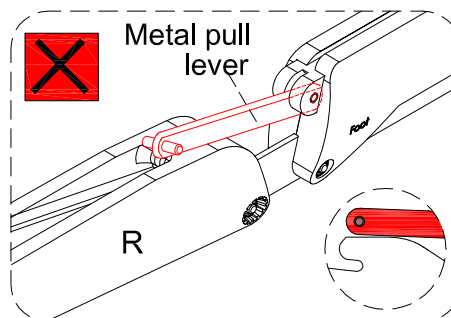
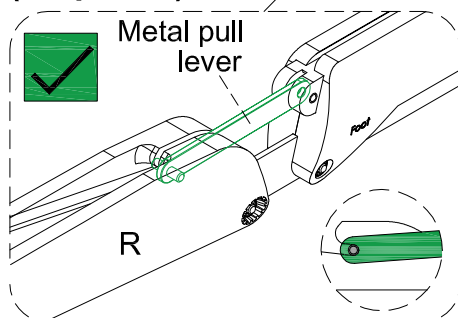
ALPHA-
motion
system

BETA- motion
system

Extension
power
socket
"ON"



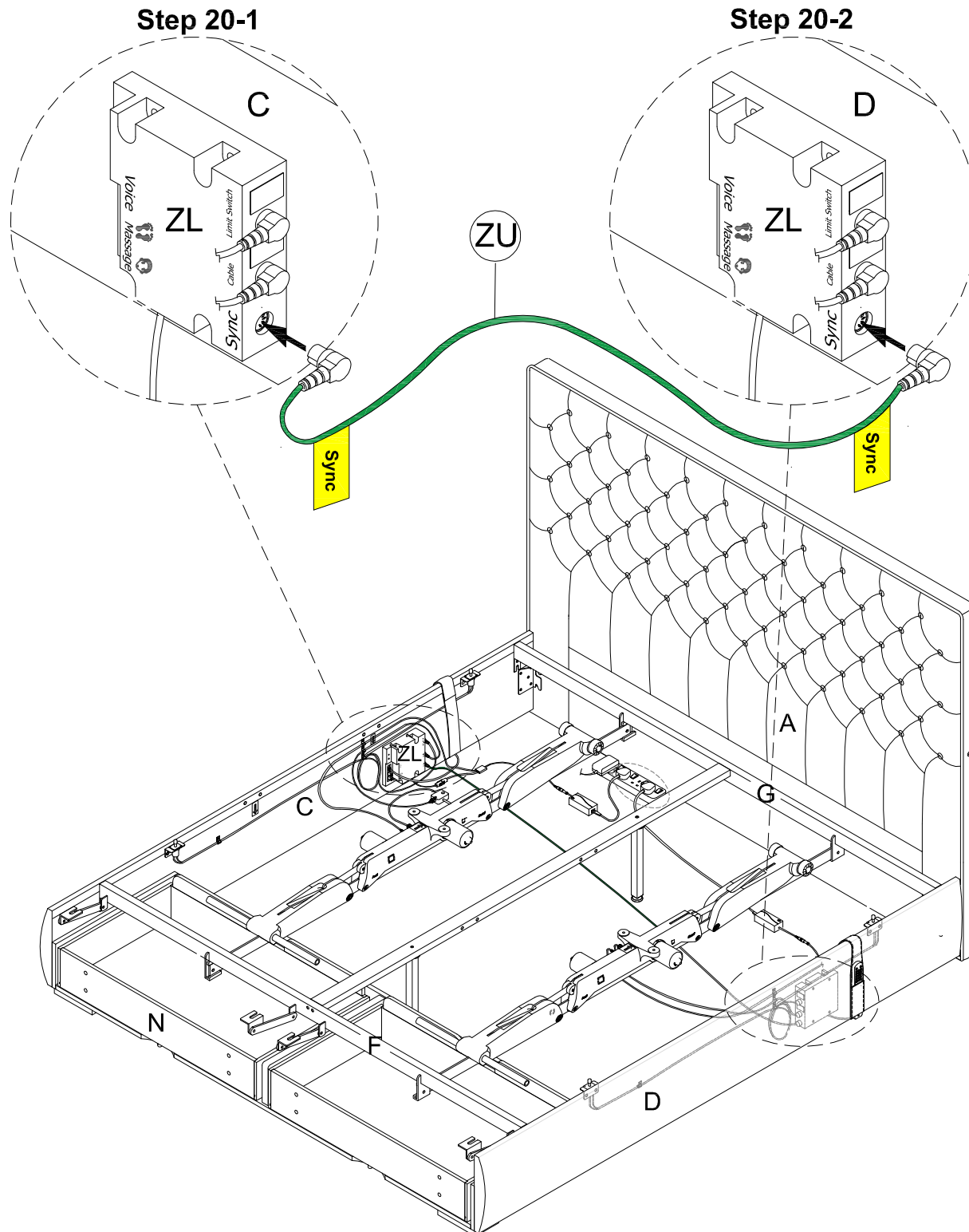
(Step 19-2)



Step 20

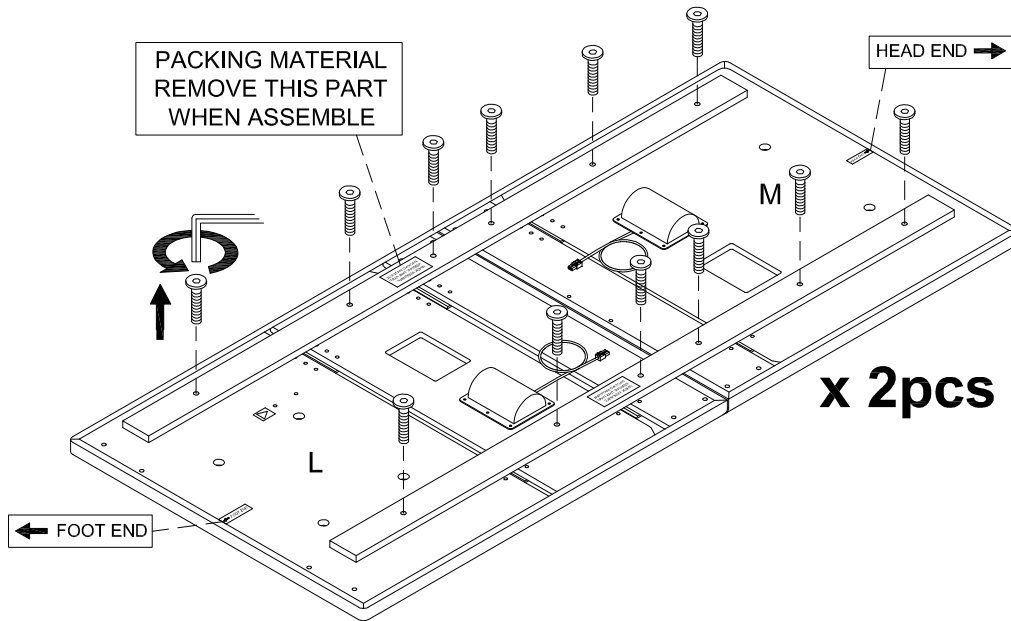
OPTIONAL: (SYNC CABLE CONNECTION)

- The sleepwave adjustable bed frame design to allow users to choice to use motion bed frame work independently or both motion bed frames work simultaneously.
- Before continued to assemble, please decide your preference for you motion bed frame.
 - OPTION: A (Both motion bed frames working independently), (keep your Sync cable, do not assemble).
 - OPTION: B (Both motion bed frames working simultaneously). (Assemble the Sync cable follow the step below).
- Make sure both ALPHA & BETA motion system power socket "ON"
- Connect the sync cable (ZU) to both of motion main controller (ZL) as shown (step 20-1 & step 20-2).
- Now the motion base will lift up & lower down simultaneously, you can operate the motion base with any one wireless remote control and voice control (ALPHA / BETA).



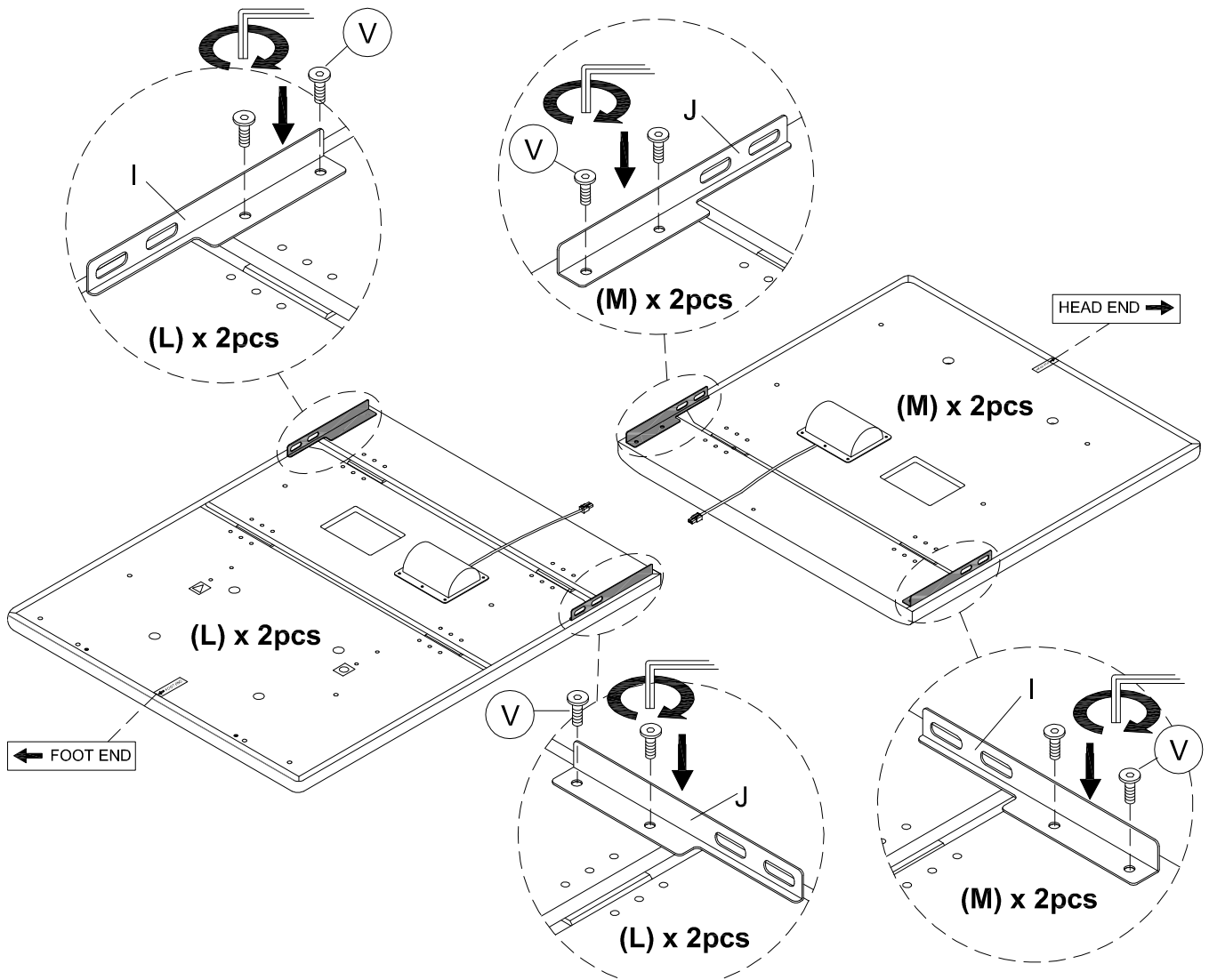
Step 21

- Remove the bolts from wooden rail packaging support under the motion base (L & M) as shown.
- Remove the wooden transport rails and dispose of.



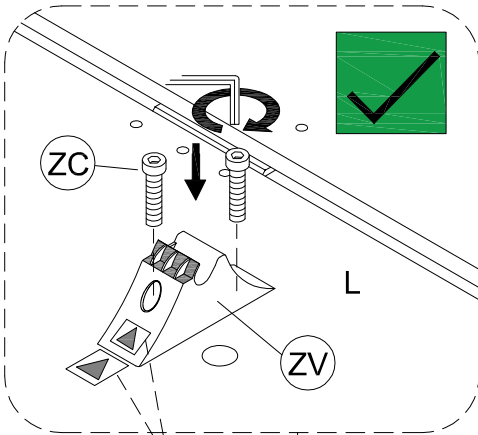
Step 22

- Attach the Metal bracket left (I) & Metal bracket right (J) to the motion base (L) & (M) with bolts (V) as shown.
- Firmly tighten the bolts.

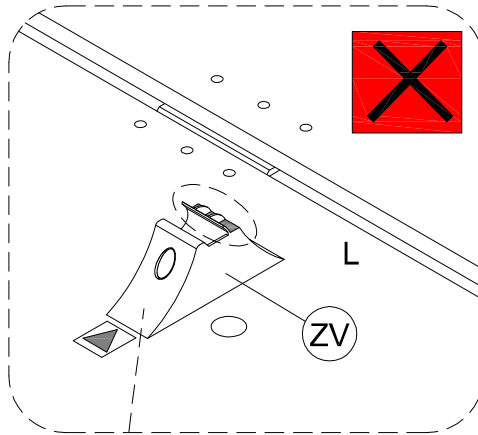


Step 23

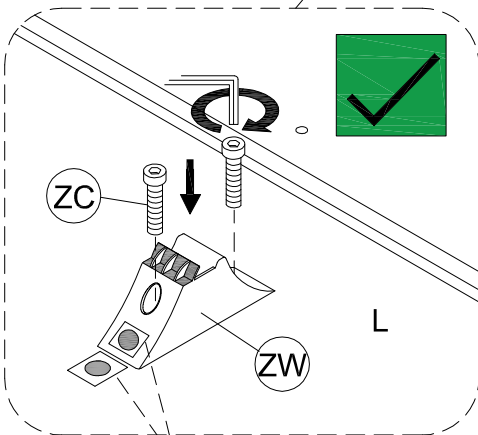
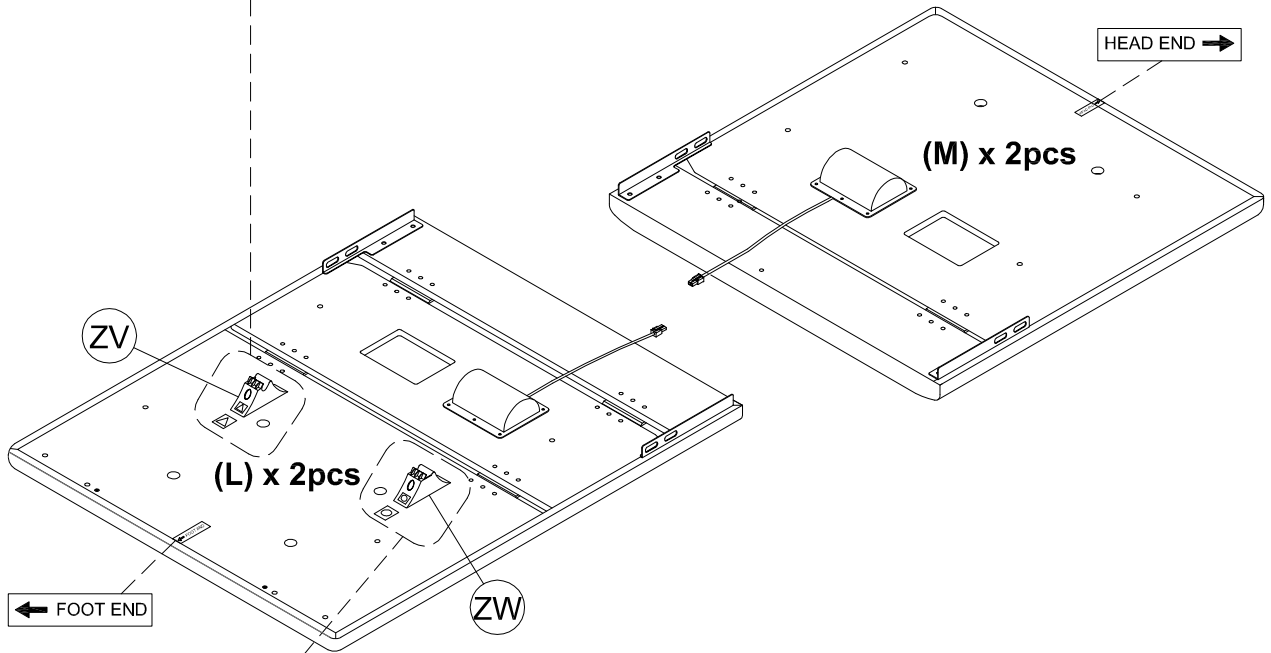
- Attach the Round tube holder left (ZV) & Round tube holder right (ZW) to the motion base (L) with bolts (ZC) . The side with sticker must be facing each other as shown.



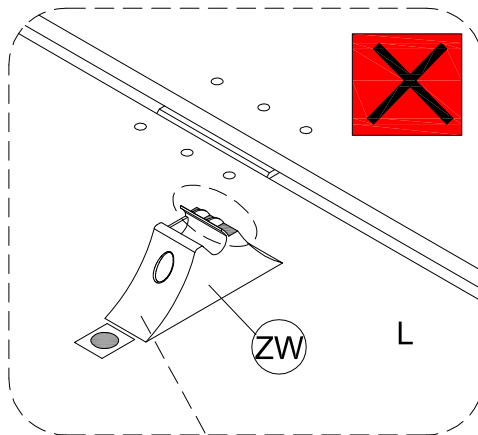
'STICKER' MUST BE FACING EACH OTHER



NO 'STICKER' SIDE (WRONG PLACEMENT)



'STICKER' MUST BE FACING EACH OTHER

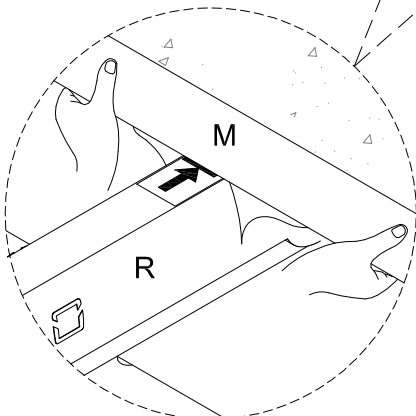
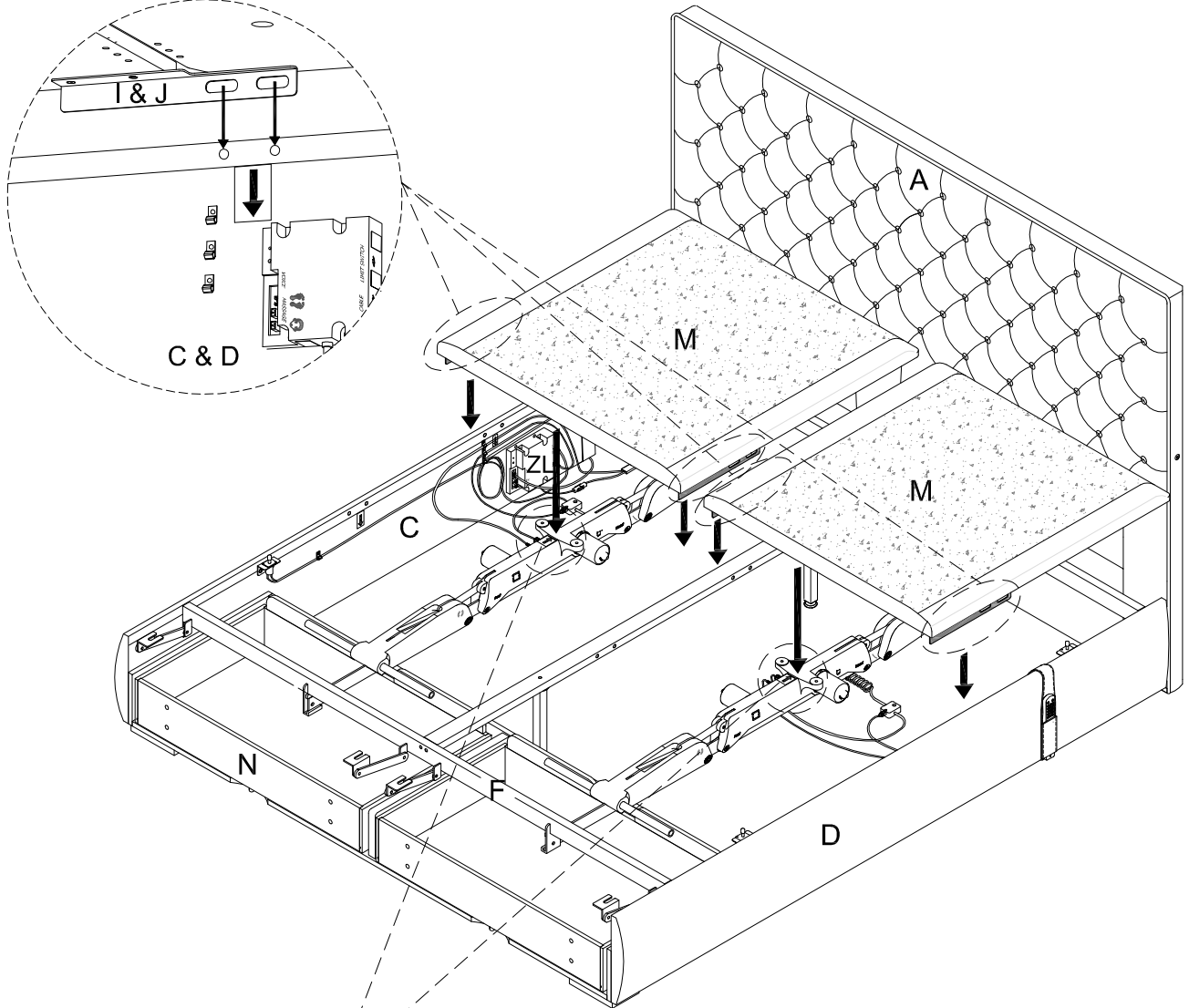


NO 'STICKER' SIDE (WRONG PLACEMENT)

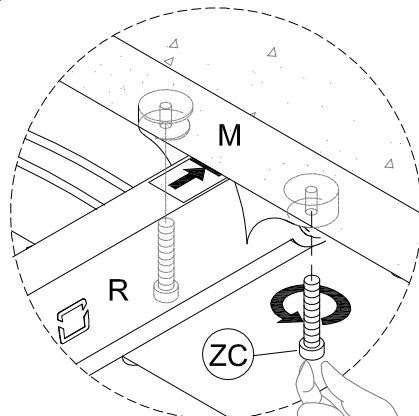
Step 24

- Attach the head-end motion base (M) to the bed as shown. (It is essential; that this is a minimum two person action to lift the motion base (M) into position.
- Align the metal bracket right (J) & left (I) follow the arrow marking at the side rail left (C) & right (D) as shown (Step 24-1).
- Align the head-motion base (M) sitting flush with the arrow marking at the motion driver (R) as shown (Step-24-2).
- Fix bolts (ZC) with finger tight to the motion driver (R) as shown (Step 24-3).
- Firmly tighten the bolts (ZC) with allen key (ZE) as shown (Step 24-4).

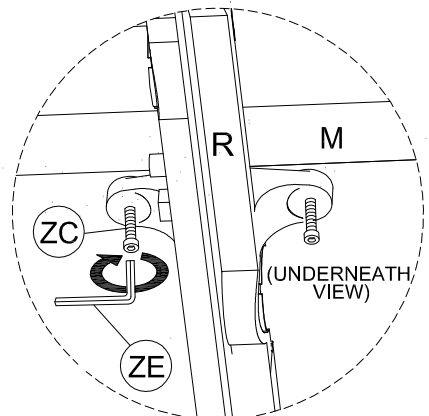
(Step 24-1)



(Step 24-2)



(Step 24-3)

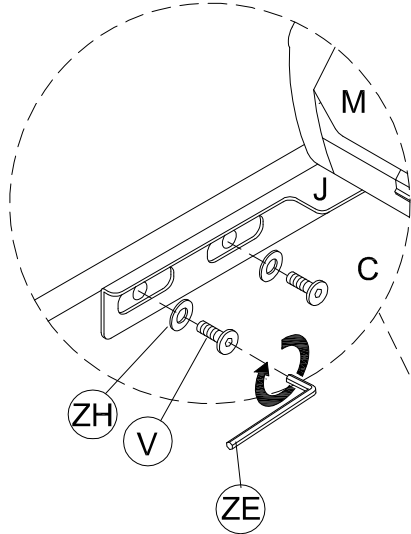


(Step 24-4)

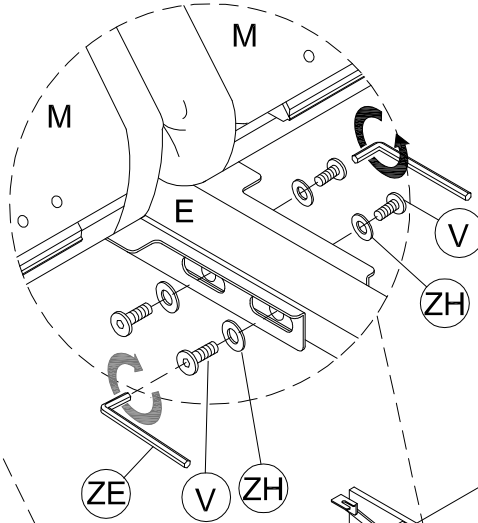
Step 25

- Lift up the head-motion base manually as shown.
- Fix the Metal bracket left & right (I) & (J) with bolts (V) & washers (ZH) as shown (Step 25-1, 25-2, 25-3).
- Make sure the head-motion base (M) sit flush with the side rail (C & D), then fully tighten the bolts.
- Connect the head massage cable to the motion main controller (ZL) as shown (Step 25-4).

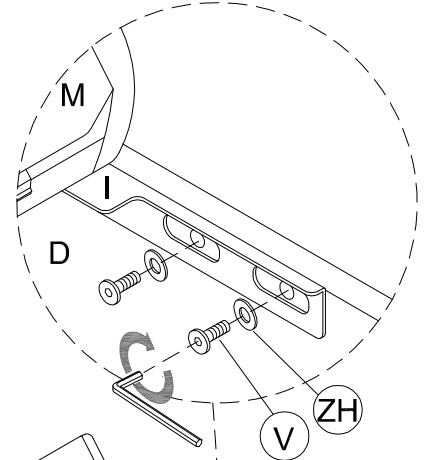
(Step 25-1)



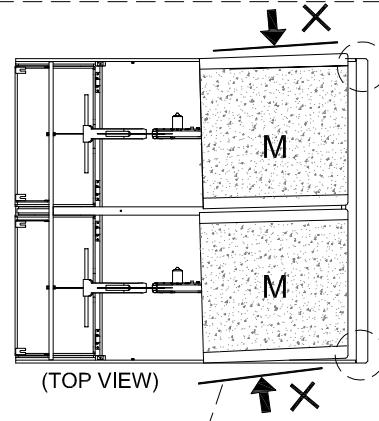
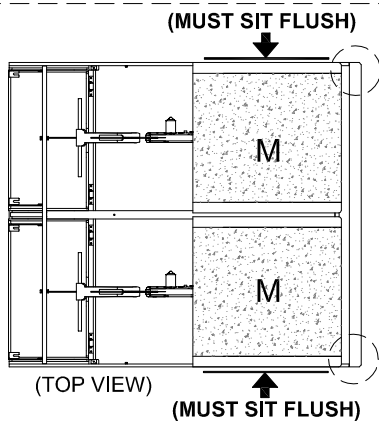
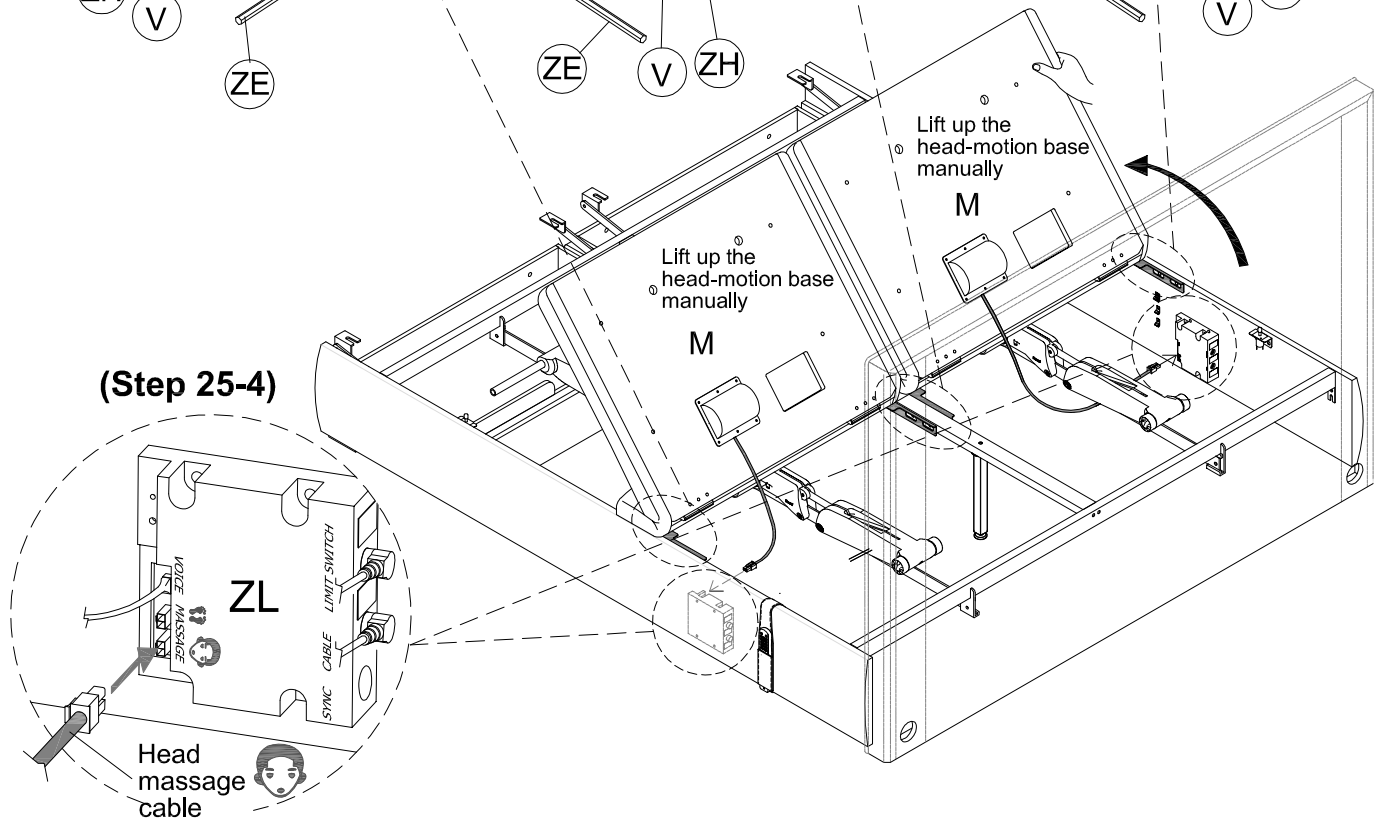
(Step 25-2)



(Step 25-3)



(Step 25-4)

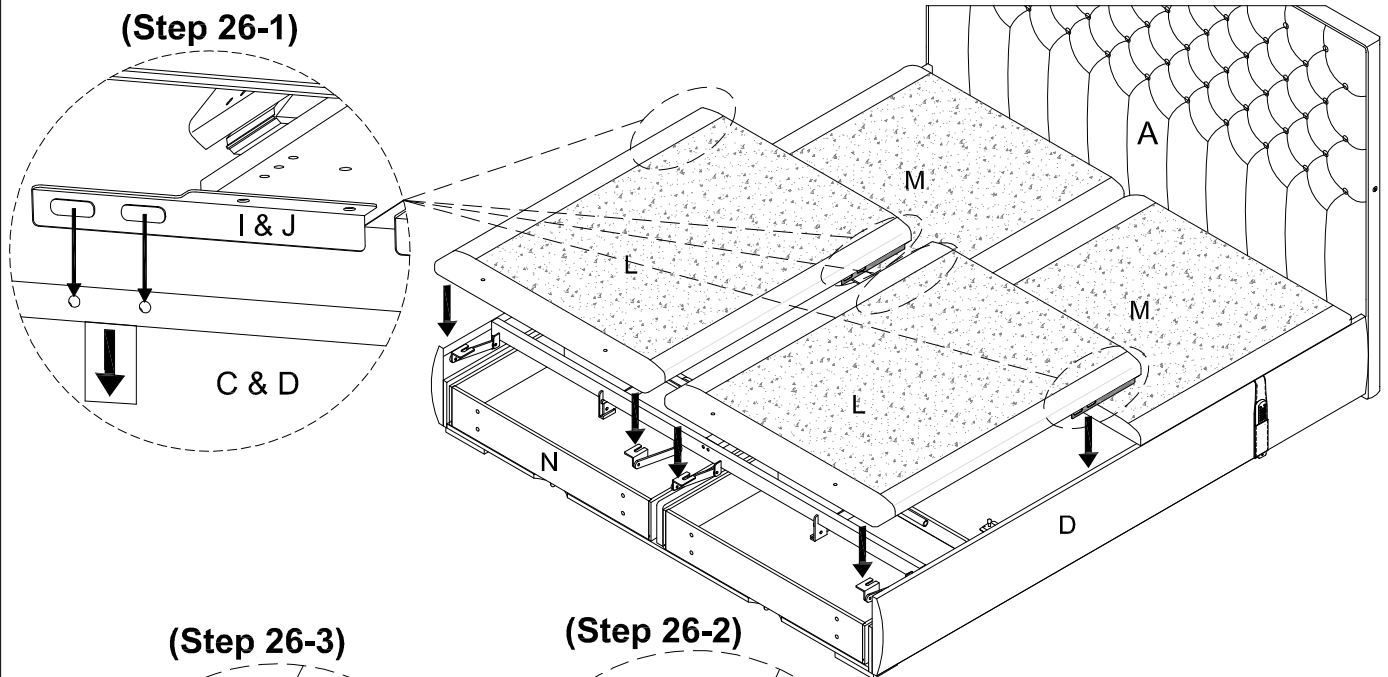


Loosen the bolts on the metal bracket.
Realign the base to sit flush on both side rails. Re-tighten all bolts.

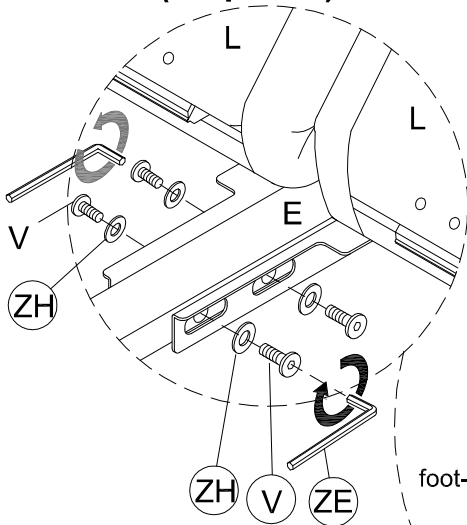
Step 26

- Attach the foot-end motion base (L) to the bed as shown. (It is essential; that this is a minimum two person action to lift the motion base (L) into position.)
- Align the metal bracket right (J) & left (I) follow the arrow marking at the side rail left (C) & right (D) as shown (Step 26-1).
- Lift up the foot-motion base manually as shown.
- Fix the Metal bracket left & right (J) & (I) with bolts (V) & washers (ZH) as shown (Step 26-2 , 26-3 , 26-4).
- Make sure the foot-motion base (L) sit flush with the side rail (C & D), then fully tighten the bolts.

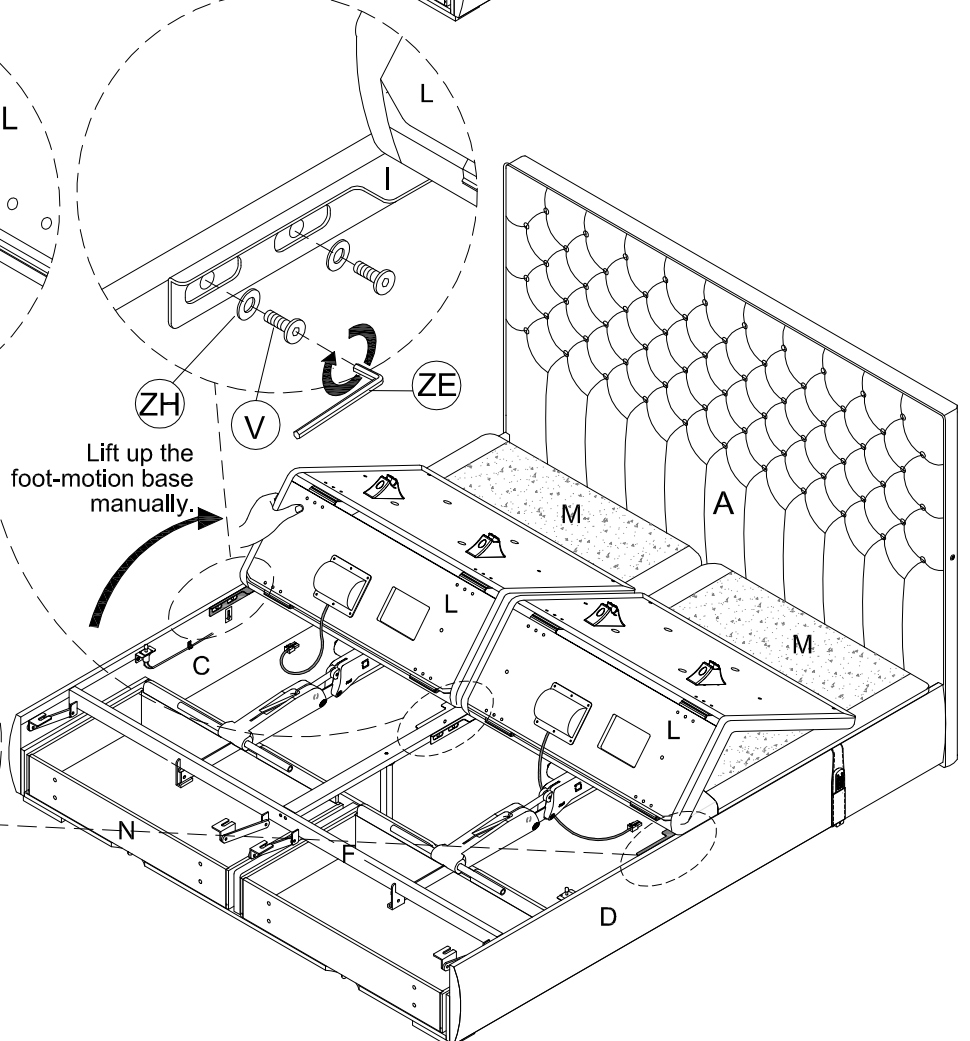
(Step 26-1)



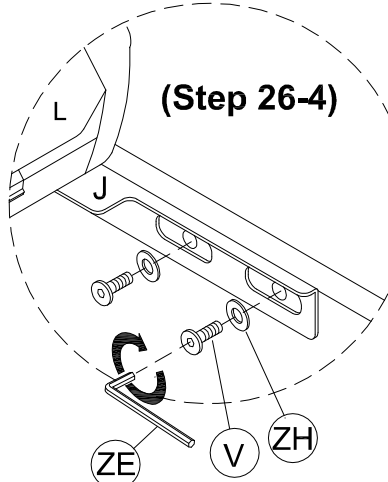
(Step 26-3)



(Step 26-2)



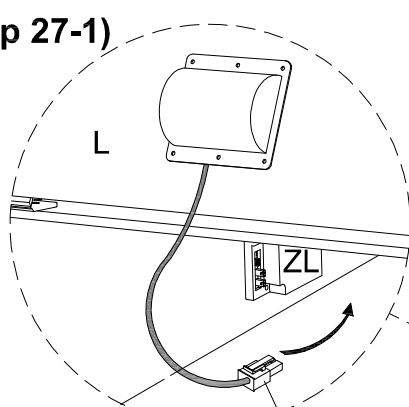
(Step 26-4)



Step 27

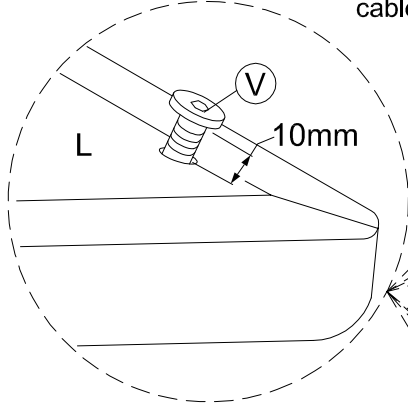
- Pass the foot-end massage cable from under the bed, near to the motion main controller (ZL) as shown (Step 27-1), Be prepare for (Step 30) to connect the cable to the motion main controller (ZL) .
- Fix bolts (V) finger tight (approximate 10mm) to the foot-end motion base (L) as shown (Step 27-2), (Be prepare for (Step 29) attach to front metal cross rail with arm (F)).
- Gently lower the foot-end motion base manually as shown.
- The round tube holder left (ZV) & right (ZW) must slot into round tube(ZJ) as shown (Step(27-3)).

(Step 27-1)

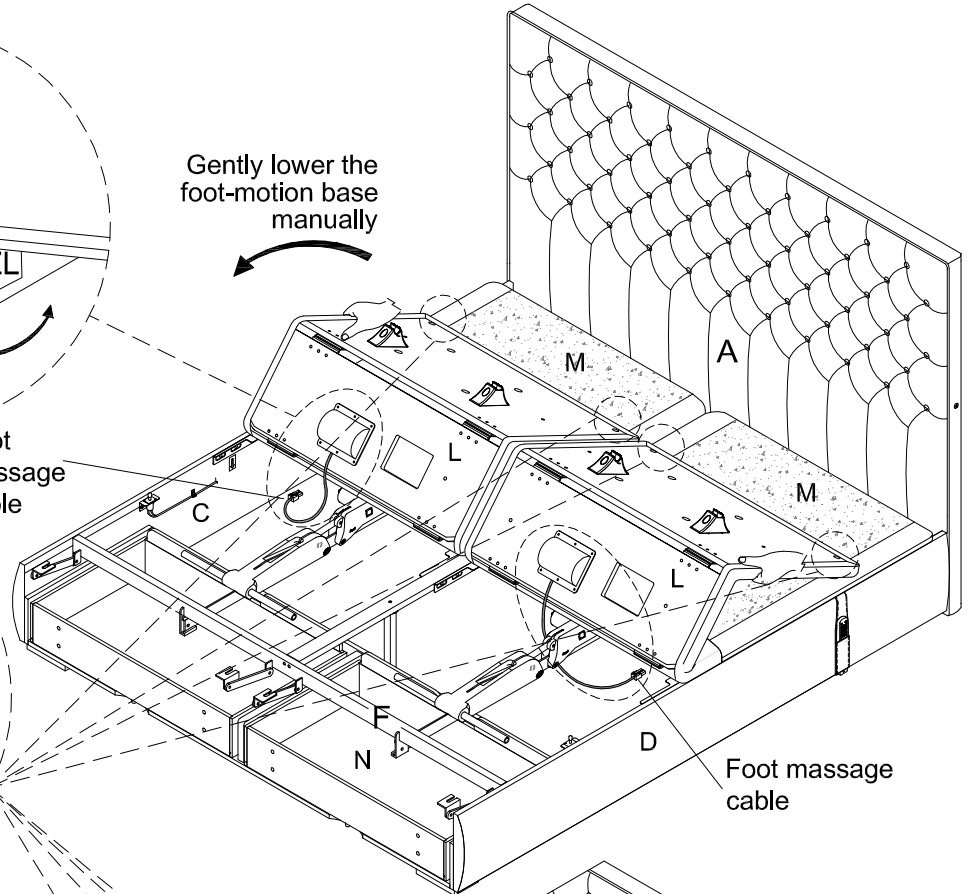


Gently lower the
foot-motion base
manually

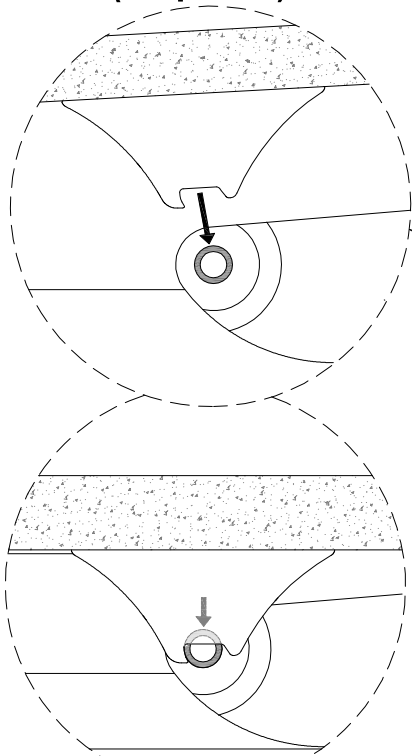
(Step 27-2)



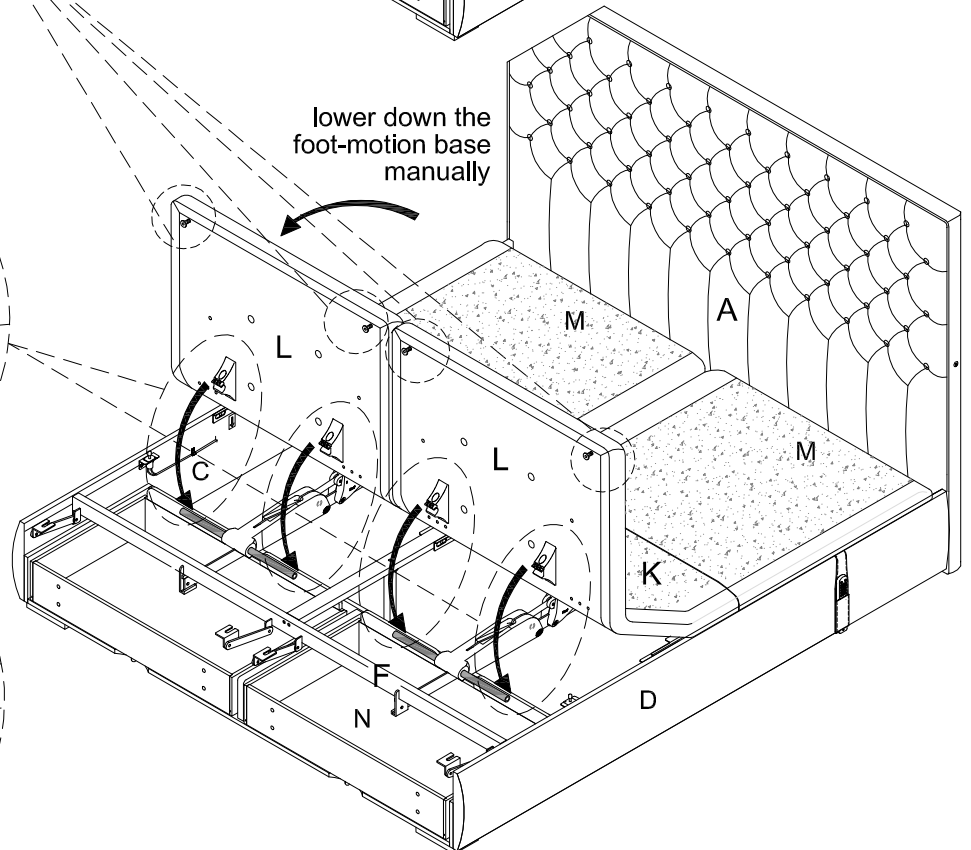
Foot
massage
cable



(Step 27-3)



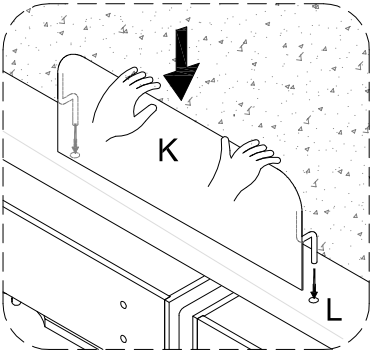
lower down the
foot-motion base
manually



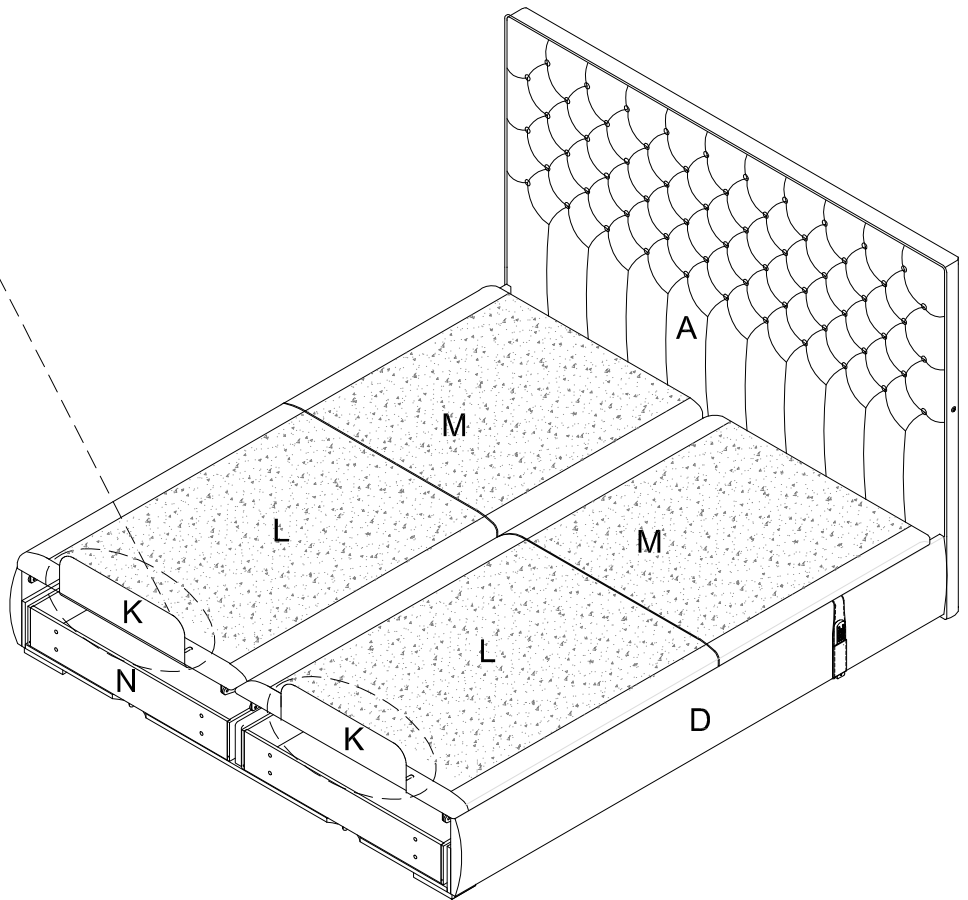
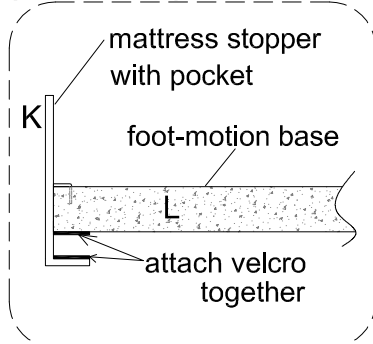
Step 28

- Attach the mattress stopper with pocket (K) to the foot-motion base (L) as shown (Step 28-1).
- Pull tight the mattress stopper pocket and stick to the velcro surface at the bottom of foot-motion base as shown (Step 28-2).

(Step 28-1)

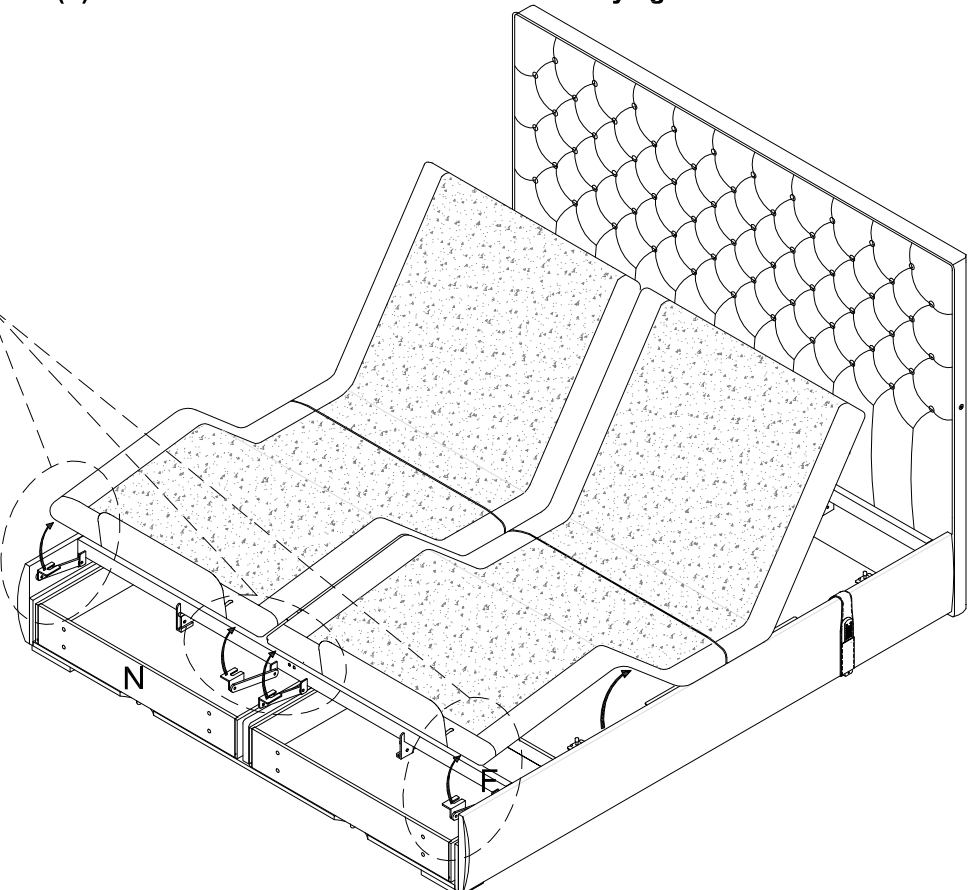
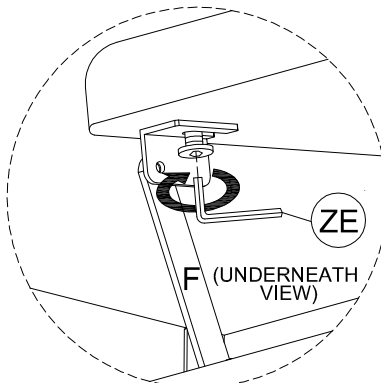
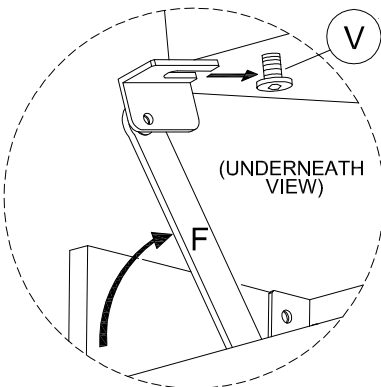


(Step 28-2)



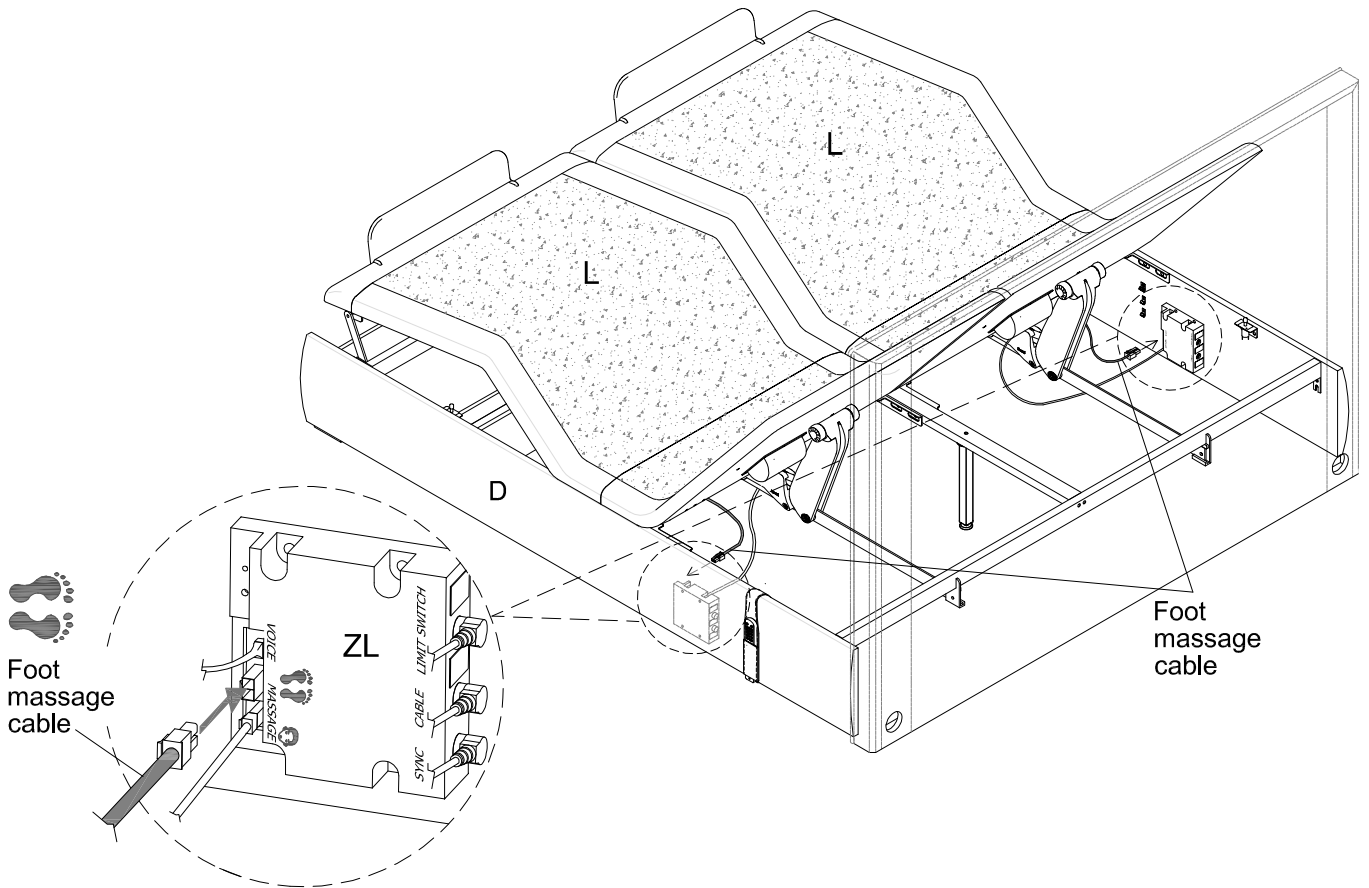
Step 29

- Use wireless remote control to Lift up the head & foot - motion base to its highest position as shown.
- Lift up the front metal cross rail (F) arm bracket and slot to the bolts with fully tighten as shown.



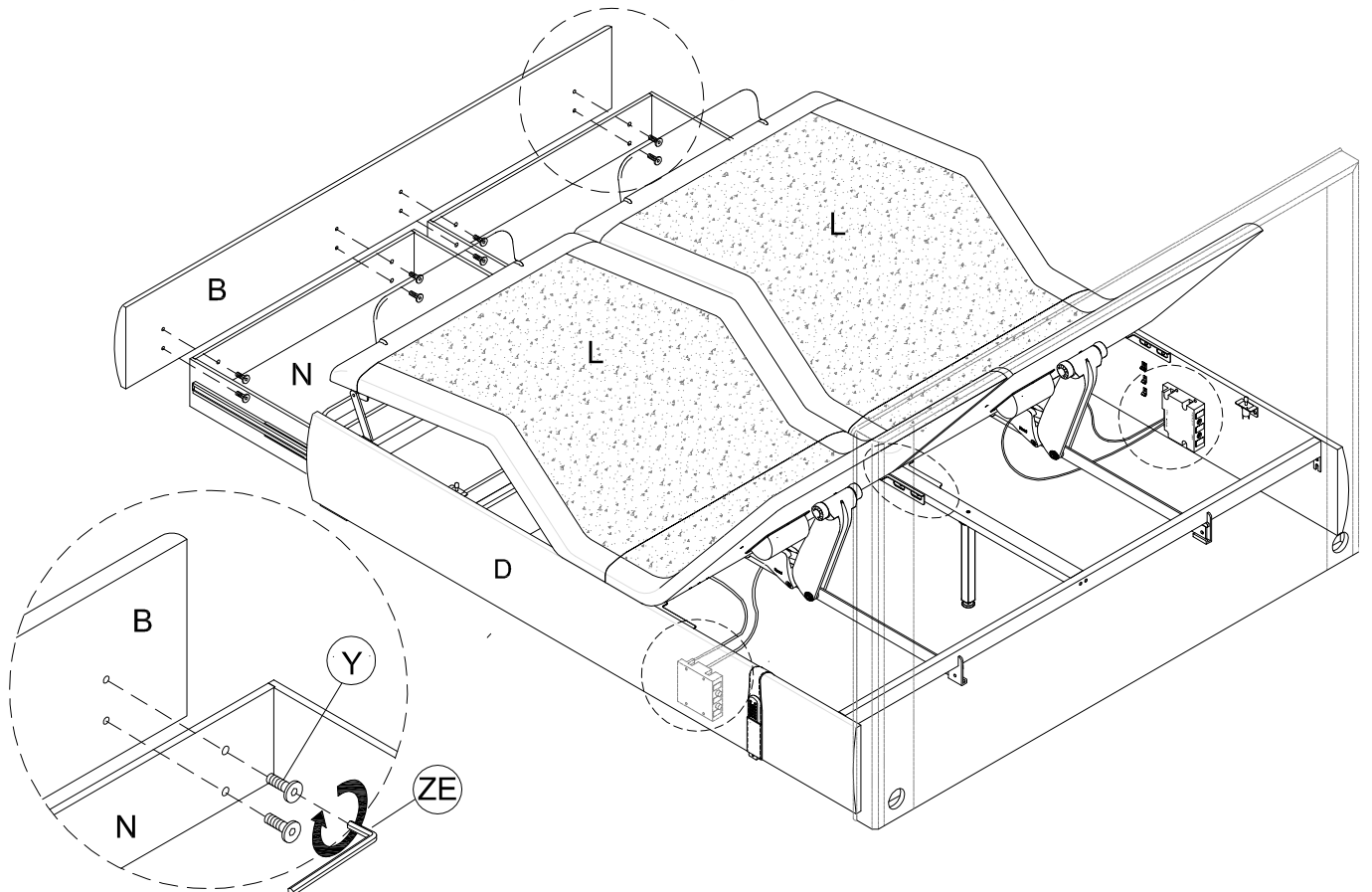
Step 30

- Connect the foot massage cable to the motion main controller (ZL) as shown .



Step 31

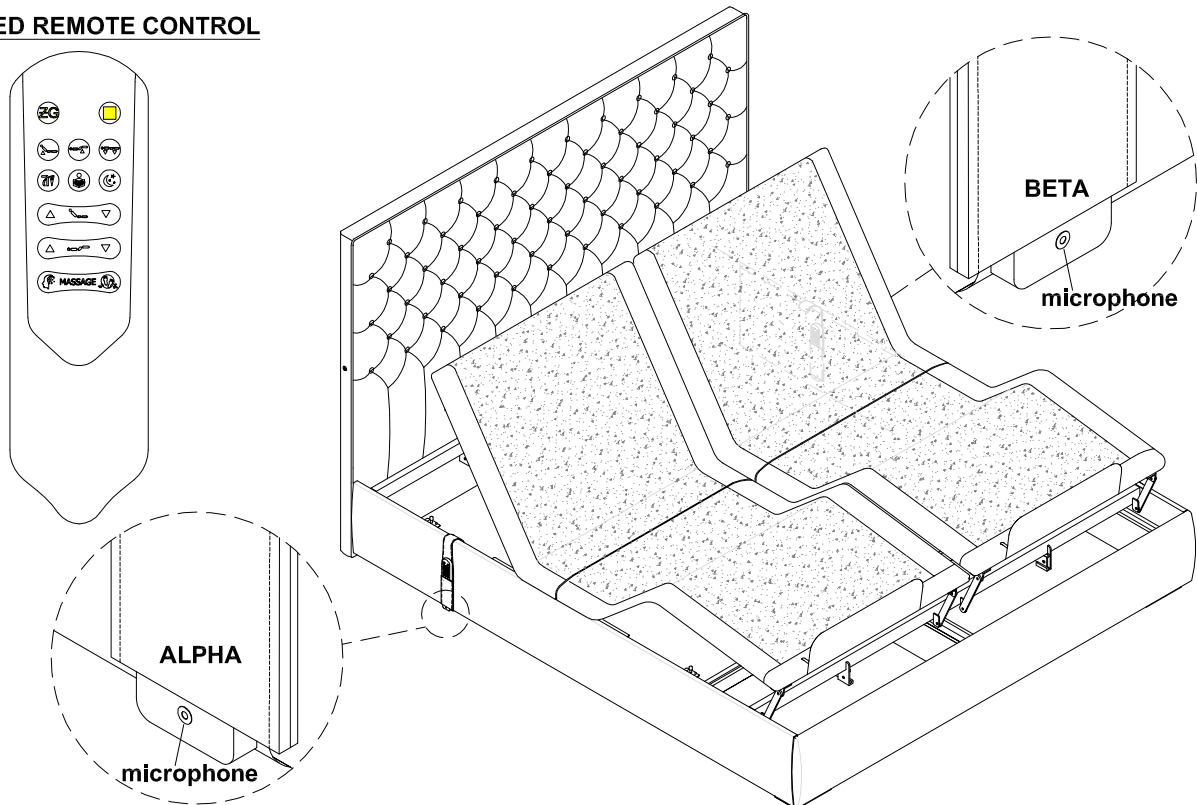
- Pull out the drawer box from the drawer base (N).
- Attach the footboard (B) to the drawer base (N) and tighten with the bolts (Y) as shown.



Step 32

- Motion bed now is fully complete assemble. You can use either the wireless remote control or voice commands assist (ALPHA / BETA) to lift up & lower down the motion bed.

WIRED REMOTE CONTROL



- **Note:** The voice receiver Hi ALPHA... or Hi BETA... is allows you to control the 2 motion bed frame working independently without interfering with each others voice commands.

VOICE COMMANDS ASSIST - ALPHA

SleepWave

Welcome to your new SleepWave adjustable storage bed

To get the most out of your bed please use our handy guide below for all the voice commands needed to help assist you into your favourite position for sleep, TV or reading as well as massage.

STEP 1 ACTIVATE	STEP 2	STEP 3 COMMAND		
Hi Alpha... Hey Alpha... Hello Alpha... Yo Alpha... Go Alpha...	Pause - wait for Beep	Zero G mode Flat mode TV mode Read mode Sleep mode	All stop Head up Foot up Head stop Foot stop	Head down Foot down Head massage Foot massage Massage stop

Choose your activation, (pause), then choose your command.
For example...
"Hey Alpha... TV mode"

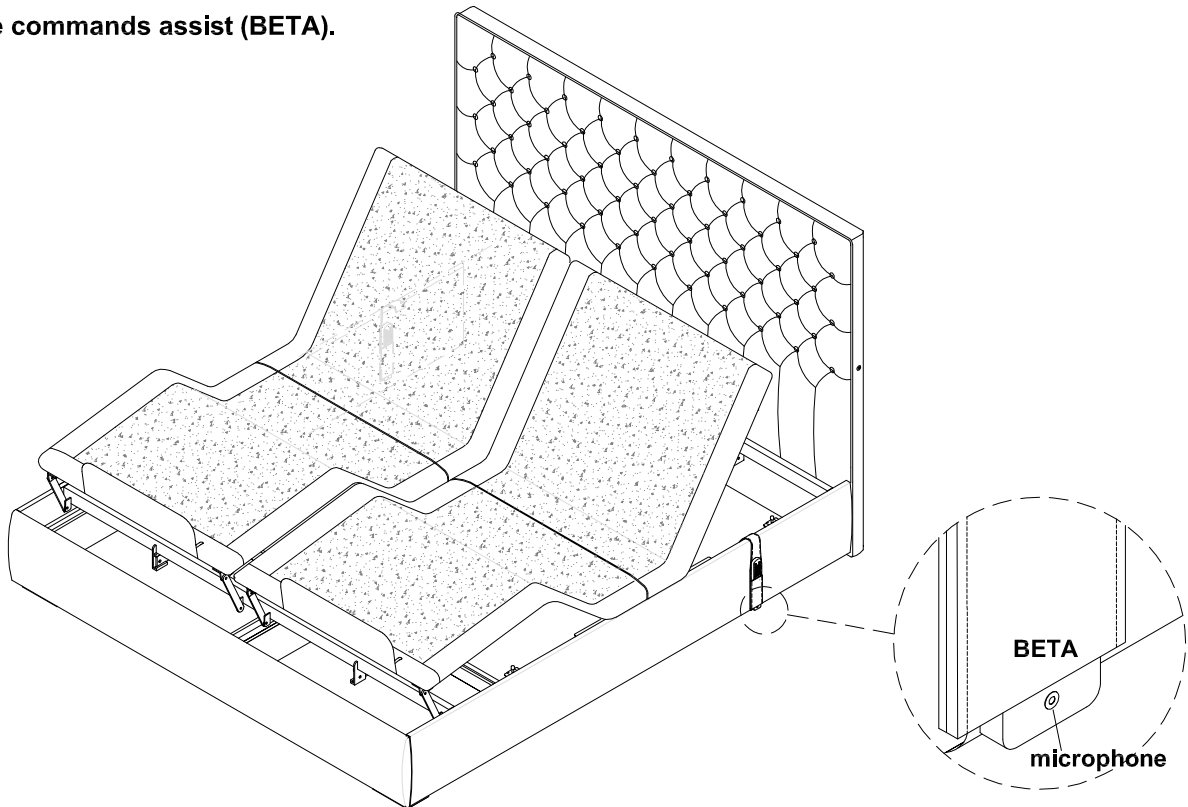
Keep me somewhere safe

bensons
for beds

GEN911

Step 33

- Voice commands assist (BETA).



- **Note:** The voice receiver Hi ALPHA... or Hi BETA... is allows you to control the 2 motion bed frame working independently without interfering with each others voice commands.

VOICE COMMANDS ASSIST - BETA

SleepWave

Welcome to your new SleepWave adjustable storage bed

To get the most out of your bed please use our handy guide below for all the voice commands needed to help assist you into your favourite position for sleep, TV or reading as well as massage.

STEP 1 ACTIVATE	STEP 2	STEP 3 COMMAND		
Hi Beta... Hey Beta... Hello Beta... Yo Beta... Go Beta...	Pause - wait for Beep	Zero G mode Flat mode TV mode Read mode Sleep mode	All stop Head up Foot up Head stop Foot stop	Head down Foot down Head massage Foot massage Massage stop

Choose your activation, (pause), then choose your command.

For example...

"Hey Beta... TV mode"

Keep me somewhere safe

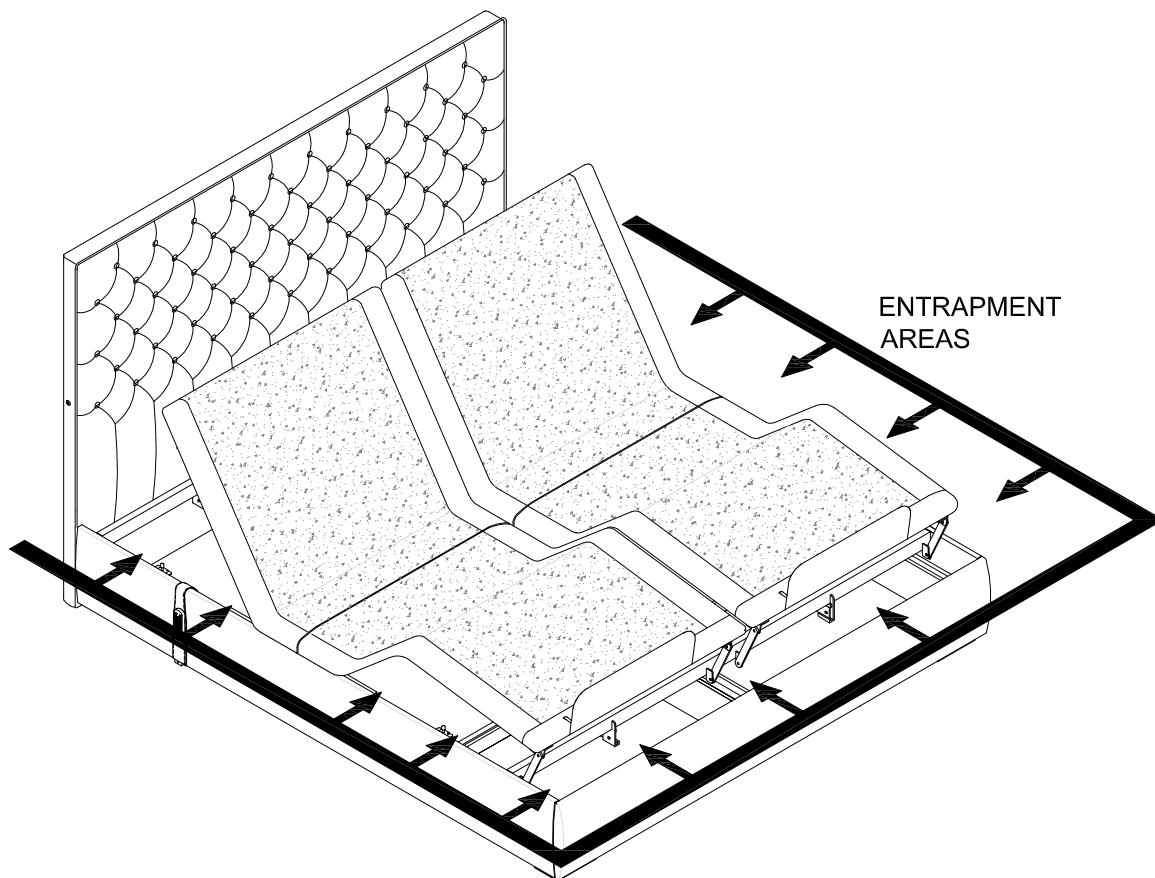
bensons
for beds

GEN911

Safety Information!

1. Operation care and entrapment warning:

During adjustment operation, please ensure there are no persons, children or pets in the vicinity of the operation of the bed frame. **Fingers, limbs and pets can become trapped if the bed is lowered whilst entering the cavity.**



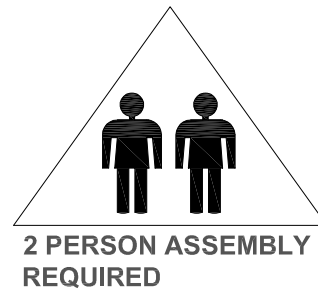
2. The Electrical system must be protected from moisture at all times.
3. Please ensure that the mains plug is always freely accessible so that you can pull it out quickly in case of in the event of an emergency. The mains connection line must be exposed as well. Please ensure all cables are free and not trapped at any point.
4. The posture adjustment operation of this product should not be by anyone under the age of 10. Persons with any learning or mental health issues should reform from using the operation. Only that have read and / or understand the functions and safety precautions should operate this adjustable bed.
Children must not play with the device.
5. Persons with a weak heart or a pacemaker should consult a specialist before use.
6. The mains connection should be inspected for damage once every year. Damaged power cables should only be replaced or repaired by the manufacturer, or qualified electrician.
7. If not intended to be used for along period we suggest removing the remote to a safe place
8. If not used for a long period we suggest check all functions manually. Operating the lift functions at least once before doing so.
9. Unauthorised repairs or modification could create a malfunction or damage to the product this will invalidate the guarantee.
10. Cleaning and user maintenance must only be performed by an capable adult.

Important Information! - Prolonged Power Outage

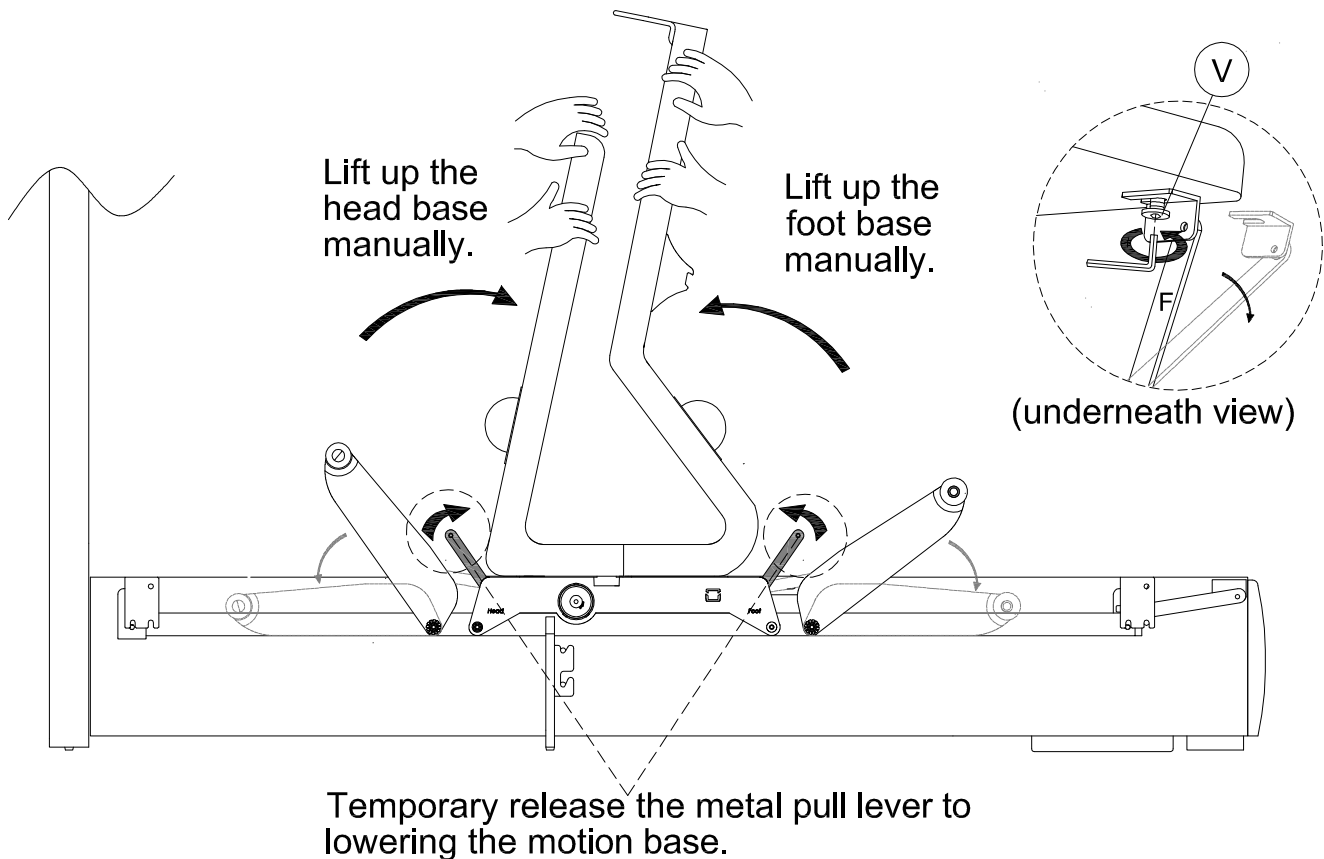
In the event of a power cut whilst the bed is in a raised position, the platforms can be lowered manually.

Important!

- The bed should be un-occupied.
- Mattress must remove from the bed.
- At least 2 person required for release the metal pull levels.

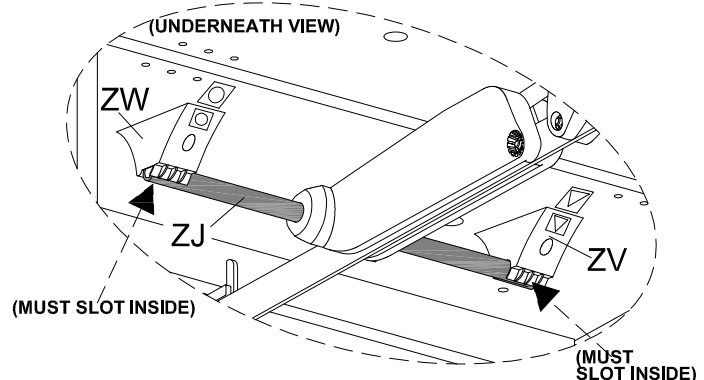


- 1) Loosen bolt (V) and Remove front metal cross rail (F), Lift head and foot end bases simultaneously as shown.
- 2) Lift the metal pull lever so that they are free of the action guide. At the same time remove the round tube from their guides. The based can now be carefully lowered on the bed.



Important!

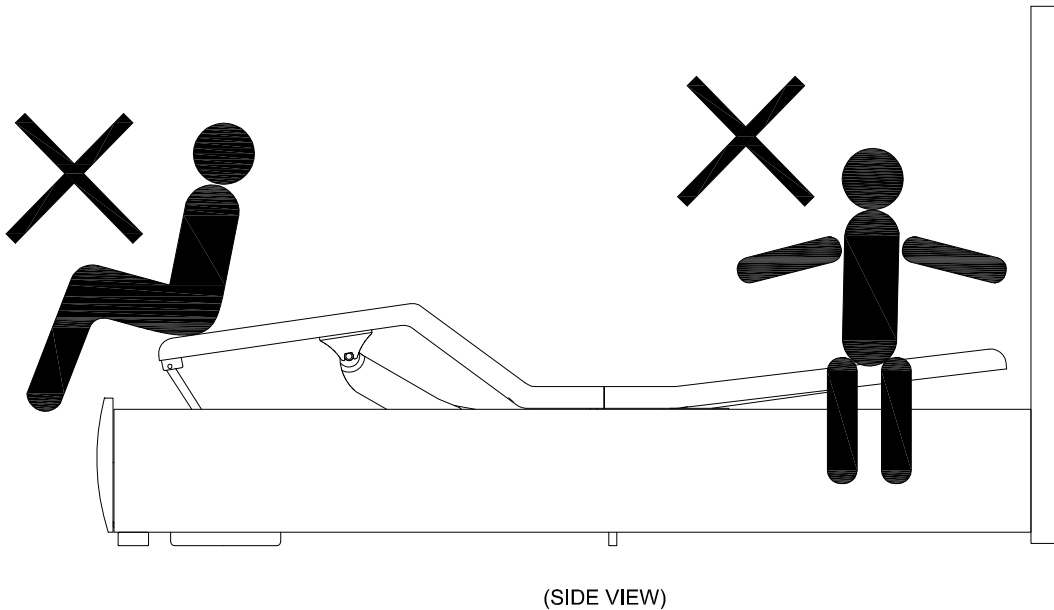
When power has been resumed repeat the above in reverse to reassemble the product. Check all fixings and tubes are in the correct operational position.



Important Information! - Overloading

Avoid overloading the lift mechanisms

Please avoid overloading then mechanisms. The system is not for continual use and must rest between operations. Its is recommender that the system should rest after two minutes continuous use for approximately ten minutes



Care and Maintenance Information

The guide motor unit can be cleaned with a dry cloth as required carefully Hoover periodically. Please note that the plug should first be removed from the mains supply.

**The motor system is maintenance free.
Any repairs or service actions should only be carried out by the manufacturers service center to avoid voiding the guarantee.**

ATTENTION! PLEASE NOTE:

In the event you are experiencing any technical difficulties and you require additional assistance/ support with your product 'Mechanical/ Electrical' function - Please visit:

SUPPORT EMAIL: support@bssbfurnitureinnovation.com

UK PRODUCT SUPPORT HOTLINE : 01462600064

Contact your retailer for all other issues such as damage, missing or faulty components (non electrical) or anything else of a non technical/electrical nature.

TROUBLE SHOOTING

Position reset Method

- When actuators (head-end and foot-end) work abnormally and not smoothly or stop working. Please long press the head down and foot down until fully closed. When you hear a click sound from the control box, the position is reset to zero and you can start to operate again as normal.

If the Motion motor no working:

- Ensure all switches are On and if necessary try a difference power socket.
- Turn Off the Main Power socket until the transformer's green light goes off. Check all the cables again to ensure proper connection and turn on back the main power as reset.
- Please check when pressing the remote button for a "click" sound. If not, replace the remote control battery and re-sync as per the following instructions:

Turn off the power until the transformer's green light goes out. And turn on the Power with the long-press remote button. And turn on the power with the long-press remote button "Stop" in the square box on the top right side for 5 to 10 seconds. Once the remote button starts flashing (release the finger), wait until the flashing light button stops, then press the flat button with a click-click sound. This is to ensure the remote is successfully in full sync.

If the massage motor no working

- Please check the cable connection and you can switch over the massage motor connection on the control box to check whether the motor works or not.

If the Voice control no working

- For voice not activated, please turn off the power until the transformer green light goes off, and after that, check the connection for reset purposes.

If you are still unable to operate the motion motor, please call the UK service centre to be assisted as follows:

ATTENTION! PLEASE NOTE:

In the event you are experiencing any technical difficulties and you require additional assistance/ support with your product 'Mechanical/ Electrical' function - Please visit:

SUPPORT EMAIL: support@bssbfurnitureinnovation.com

UK PRODUCT SUPPORT HOTLINE : 01462600064

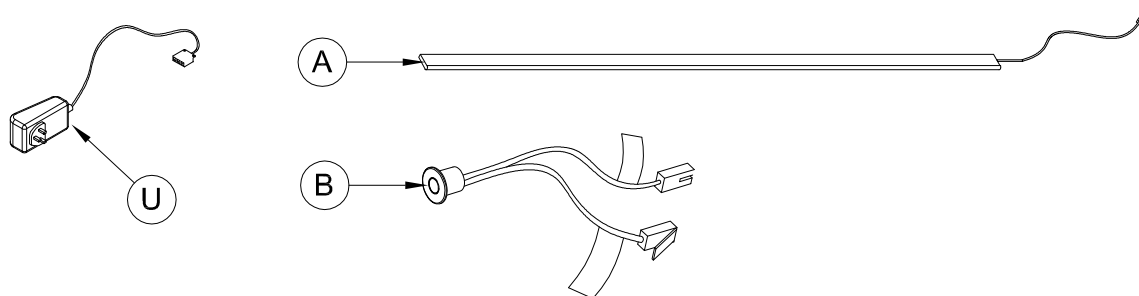
Contact your retailer for all other issues such as damage, missing or faulty components (non electrical) or anything else of a non technical/electrical nature.

SPECIFICATION

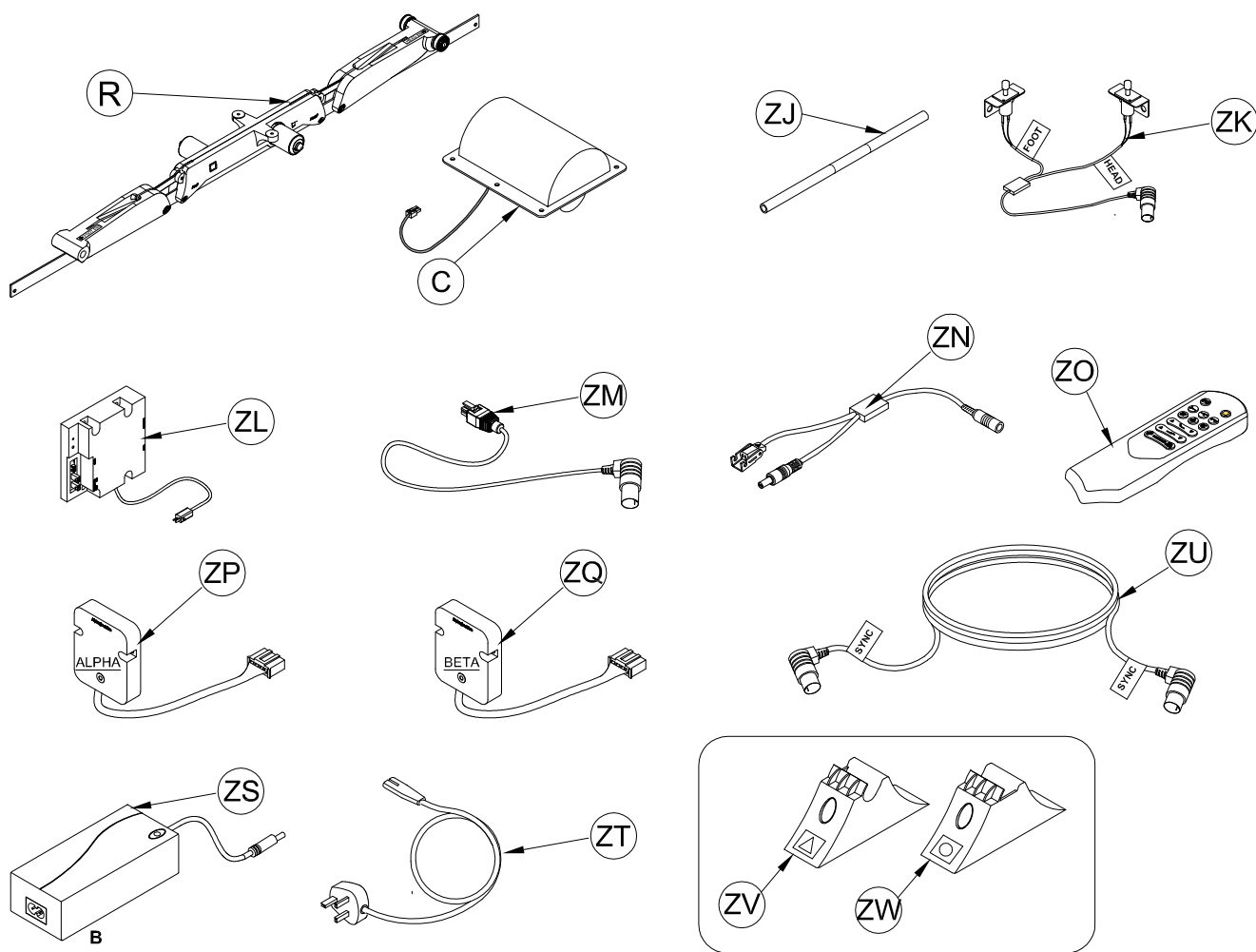
MODEL NO	MOTION DRIVER
MOTOR TYPE	24V DC
INPUT VOLTAGE	100~240V
MAXIMUM LOAD	200 kg
PRESSURE	8000N = 200kg
DISCONTINUOUS OPERATION	2 min. / 10 min.
RECOMMENDED AMBIENT TEMPERATURE	+10° bis + 40° C
RELATIVE HUMINITY	30% - 75%
WARRANTY	2 years

- 2 mins work with minimum 10mins rest.
- Caution: improper use may cause injury or damage.

LED LIGHT - SPARE PARTS LIST



LINEAR ACTUATOR - SPARE PARTS LIST



ITEM NO.	PART DESCRIPTION	IV CODES
A	LED Light Profile (1pc)	IV001437
B	Mini Touch Switch (Gun Metal) Input 12V DC, Output 12 V DC (1pc)	IV000074
U	3 Way AC Adaptor (1pc)	IV001436
R	Motion Driver (1pc)	IV000418
C	Massage Motor (1pc)	IV000119
ZJ	Round Tube (1pc)	IV000474
ZK	Motion Limit Switch (1pc)	IV000116
ZL	Motion Main Controller (1pc)	IV000115
ZM	Cable (1pc)	IV000121
ZN	Y Power Cable (1pc)	IV000120
ZO	Wireless Remote Control (1pc)	IV000114
ZP	Voice Receiver & Controller - ALPHA (1pc)	IV000117
ZQ	Voice Receiver & Controller - BETA (1pc)	IV000118
ZS	Power adaptor (1pc)	IV000112
ZT	UK Power Cord (1pc)	IV000795
ZU	Dual sync cable-2.5m (1pc)	IV000128
ZV / ZW	Round Tube holder Left (1pc) / Round Tube holder Right (1pc)	IV000475