

P.O.Number :
Please Keep This Number For
Future Reference
**THIS FORMS PARTS OF
YOUR GUARANTEE!!**

bensons
for beds



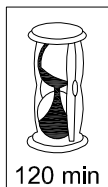
STARLA TV OTTOMAN BEDFRAME 135 / 150 / 180 cm

STK786101 / STK786102 / STK786103
STK786104 / STK786105 / STK786106

Assembly Instructions

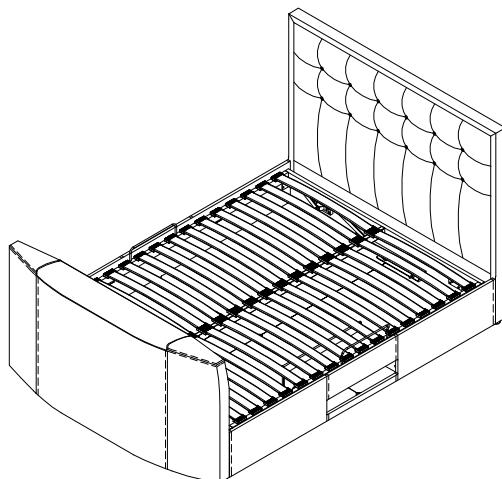
Please keep these instructions for future reference.

**MINIMUM TWO
PERSON ASSEMBLY**



120 min

**APPROXIMATE
ASSEMBLY TIME**



Regrettably self-assembly items cannot be returned once assembly is part or fully completed unless the items are found to be faulty. Should you need to return the unassembled product, please repack in its original packaging.

Important Information

- We suggest you spend a short time reading through this leaflet and then follow the simple step-by-step instructions.
- Carefully check that you have all the parts before beginning assembly.
- Keep fittings out of children's reach and keep children well away from construction area.
- We suggest you retain these instructions for future reference.

Product Information

- TV bed.
- Upholstered fabrics and fillings conform to BS5852. Bedframe conforms to BSEN1725.
- TV Lift system has a maximum load capacity of 80lbs (37kg)
- Compatible with slimline LED televisions with a screen size of 20" to 43".
- Maximum T.V dimensions D85mm x W980mm x H580mm (WITHOUT STAND)

Care Instructions

- Avoid exposing the furniture to excessive heat or direct sunlight as this can cause cracking or deterioration of the color.
- Periodically check & re-tighten any fastener.
- Periodically dust lightly with a clean soft cloth. We recommend hoovering to remove dust.
- Any spills should be removed immediately with a soft damp cloth.
- TAKE CARE WHEN MOVING THE FURNITURE AND NEVER DRAG THE PIECES ACROSS THE FLOOR, AS THIS WILL CAUSE DAMAGE TO THE JOINTS.

Whereas every effort has been made to allow this product to utilise the maximum number of TV's available it is not possible to accommodate every product in an ever changing market. It is the responsibility of the customer to ensure suitability of the TV to the TV bed before attempting operation. It is the customers responsibility to ensure all wiring is correctly placed in accordance with both the TV and TV bed manufacturer.

Bensons for Beds will not be held responsible for any damage caused to the TV, TV Cabling or TV bed due to incompatibility of equipment used.

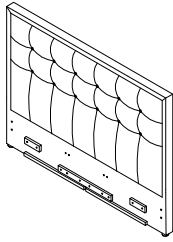


Conforms To : **Audio Controller & Linear Actuator Motor**

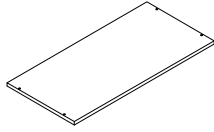
(EMC)	-EN 55032: 2017+A1:2020; EN 550035:2017+A11:2020; EN IEC 61000-3-2:2013:A1+2019+A2:2021; EN62749:2010
(LVD)	-EN 60335-1:A2:2019:A15:2021; EN 62233:2008

Components of Carton 1

(A) Headboard x 1



(B) Media
Compartment
Base Panel x 1



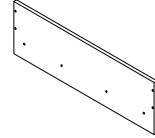
(C) Media
Compartment Side
Panel (Left) x 1



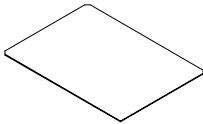
(D) Media
Compartment Side
Panel (Right) x 1



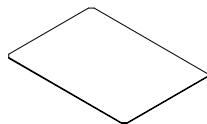
(E) Media
Compartment
Rear Panel x 1



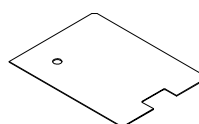
(F-1) Bottom Base
Left x 1 (Head End)



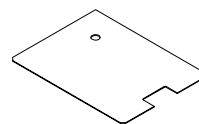
(F-2) Bottom Base
Right x 1 (Head End)



(G) Bottom Base
Left x 1 (Foot End)



(H) Bottom Base
Right x 1 (Foot End)

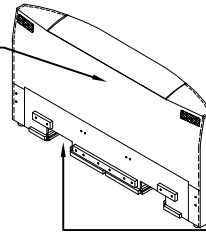


Hardware
Bag

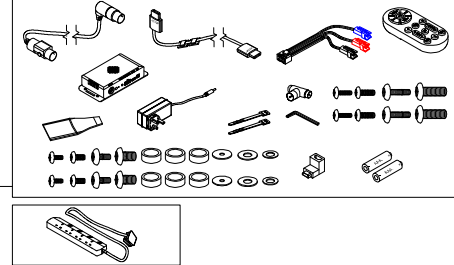
Component of Carton 2

(I) Footboard x 1

TV Mechanism
pre-fixed in the foot end

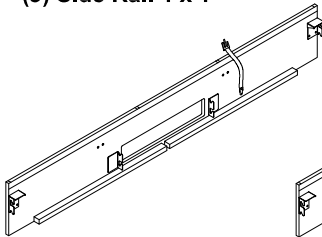


Hardware Box

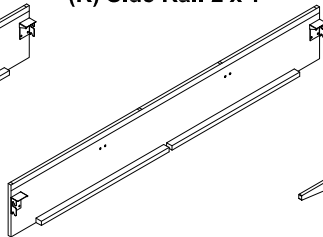


Components of Carton 3

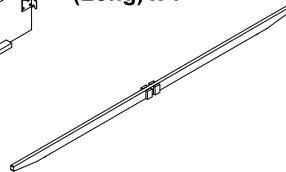
(J) Side Rail-1 x 1



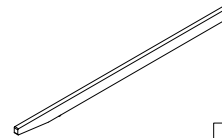
(K) Side Rail-2 x 1



(L) Bottom Cross Rail
(Long) x 1



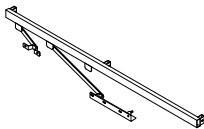
(M) Bottom Cross Rail
(Short) x 2



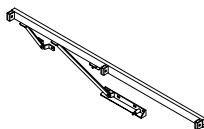
Hardware
Bag

Components of Carton 4

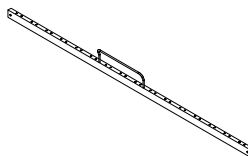
(N) Lift Up
Mechanism Left x 1



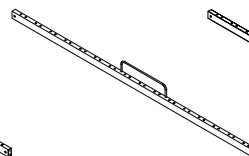
(O) Lift Up
Mechanism Right x 1



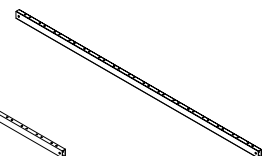
(P) SL Dynamic
Front Rail x 1



(Q) SL Dynamic
Back Rail x 1

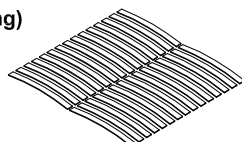


(R) SL Dynamic
Center Rail x 1


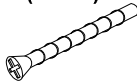



Components of Carton 5

(S) Slat
x 30 (Double)
x 32 (King & Super King)




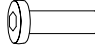






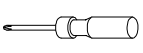

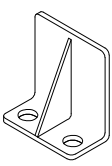

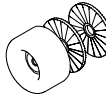
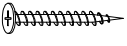
Hardware List (in Carton 1)

(T) M8 x 25mm x 4 (Pre-Installed) 	(U) M5 x 35mm (Black) x 12 	(V) M8 x 16mm x 4 
---	--	--

Hardware List (in Carton 2)

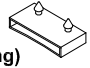
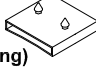
(W) M8 x 25mm x 4 (Pre-Installed) 	
---	--

Hardware List (in Carton 3)

(X) M6 x 20mm x 6 	(Y) JCN Nut M6 x 20mm x 6 	(Z) M6 Washer x 8 	(AA) M8 Washer x 24 
(AB) M8 x 20mm x 24 	(AC) M6 Spring Washer x 6 	(AD) M8 Lock Nut x 4 	(AE) Spanner x 1 
(AF) Screw Driver x 1 	(AG) Allen Key M4 x 2 	(AH) L Support Bracket x 6 	(AI) Gas Cylinder x 2 DOUBLE - 550N KING - 650N SUPER KING - 900N 
(AJ) Rubber Block with Washer x 2 sets 	(AK) Rattan Screw x 2 		

(AL) Lock Device (Receiving Part) x 1 	
---	--

Hardware List (in Carton 5)

(AM) End Cap x 30 (Double) x 32 (King & Super King) 	(AN) Middle Cap x 15 (Double) x 16 (King & Super King) 
---	--

Tips before you start!

1. Please check that all parts are present before you start the assembly of your furniture.
2. Before starting the assembly please decide which side you wish to have the ottoman opening.
3. For ease and speed of assembly, we recommend that before you commence each step of the assembly, that you identify all the parts required for that step.
4. For larger items, please ensure that you have sufficient space and people (as indicated on page 1) to assemble your product safely. (Minimum Two Persons)
5. We recommend where possible, all items are assembled near to the area where they will be placed in use, to avoid moving the product unnecessarily once assembled.
6. Please ensure that your bed is placed on a level floor area. (Avoid setting up and installing your bed on uneven floor surface.
7. For the protection of your furniture, we recommend that the product is placed on a protected surface during assembly to prevent any damage.
8. During assembly please take care not to over-tighten any fittings, as this may damage the product.
9. Please ensure the TV bed is assembled as close as possible to the power supply source.

Care and Maintenance of your Furniture

- Please periodically check all fittings and re-tighten as necessary.
- To clean your item, please use a soft damp cloth and wipe clean.
- Please do not jump on your furniture.
- Never allow any kind of liquid to remain on your furniture. This can cause finishes to de-laminate. Take care when spraying Perfume and deodorants etc as the vapour can settle on the fabric surface and cause damage.
- Periodically check the condition of your bed slats and plastic locating caps to ensure they are in good condition and have not become loose.
- It is important to Never Drag your bed as this can cause damage to the joints and the fixings. This may invalidate your guarantee.
- The bed should always be lifted into position or if moved for cleaning.

ATTENTION! PLEASE NOTE:

In the event you are experiencing any technical difficulties and you require additional assistance/ support with your product 'Mechanical/ Electrical' function - Please visit:

SUPPORT EMAIL: support@bssbfurnitureinnovation.com

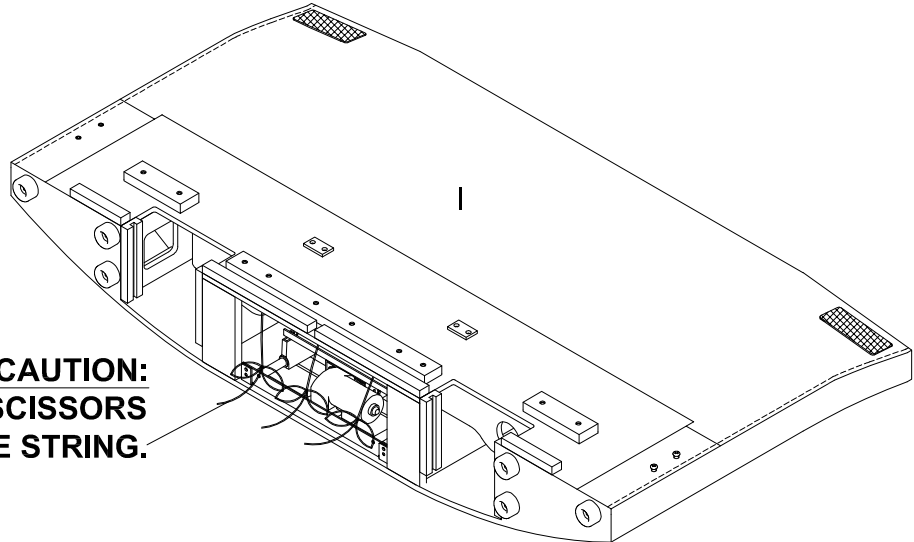
UK PRODUCT SUPPORT HOTLINE : 01462600064

Contact your retailer for all other issues such as damage, missing or faulty components (non electrical) or anything else of a non technical/electrical nature.

Step 1

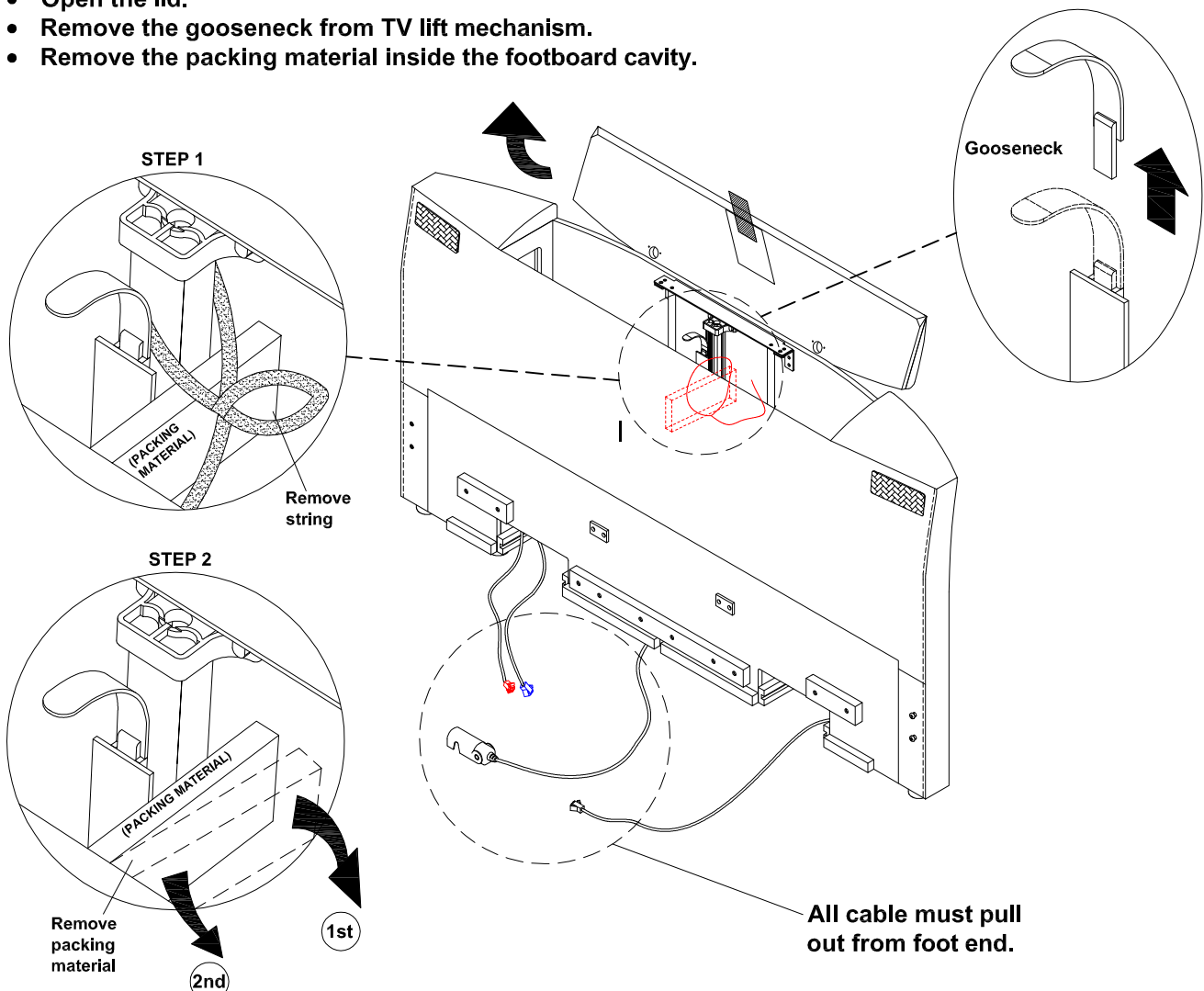
- Carefully remove the footboard from carton 2.
- To do this you will need to gently lay the foot end on it's back. Before doing so please ensure the area is completely free of anything that may cause damage or press into the fabric. Place a protective cover on the floor to avoid possible damage.
- The accessories box are held in place by string please carefully cut these.

CAUTION:
PLEASE USE SCISSORS
TO CUT THE THREE STRING.



Step 2

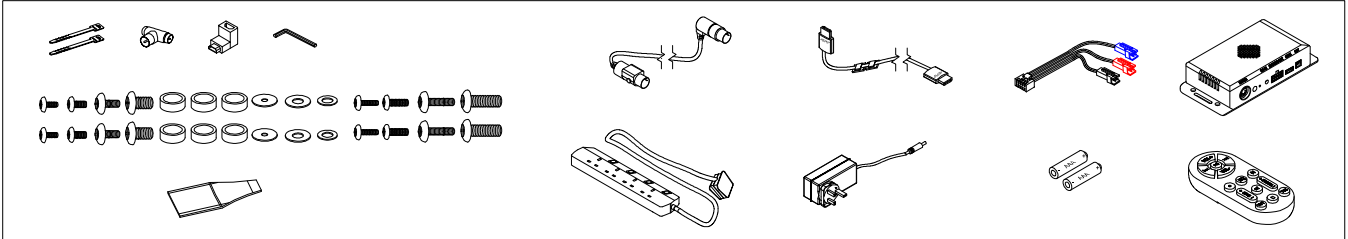
- Carefully lift the foot end back to it's upright position.
- Make sure all the cable are pull out from bottom of foot end.
- Open the lid.
- Remove the gooseneck from TV lift mechanism.
- Remove the packing material inside the footboard cavity.



Step 3

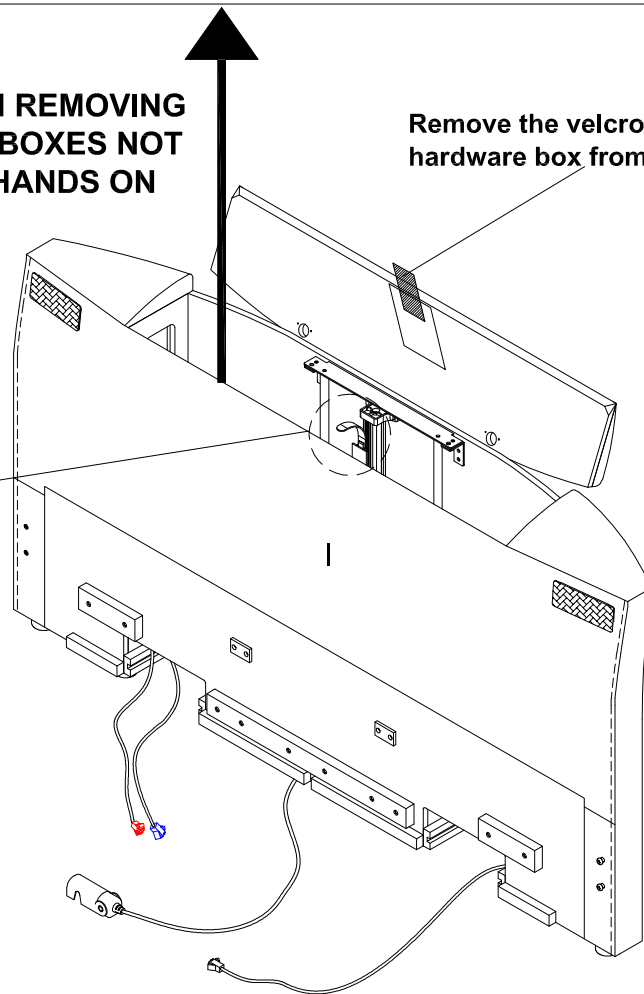
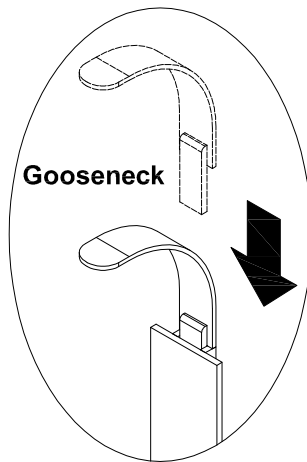
- Remove the Hardware Box from inside.
- Attach back the gooseneck to the tv mechanism.

Hardware Box



CAUTION:
TAKE CARE WHEN REMOVING
THE ACCESSORY BOXES NOT
TO CATCH YOUR HANDS ON
THE SIDES.

Remove the velcro after take out the
hardware box from foot end.



ATTENTION! PLEASE NOTE:

In the event you are experiencing any technical difficulties and you require additional assistance/ support with your product 'Mechanical/ Electrical' function - Please visit:

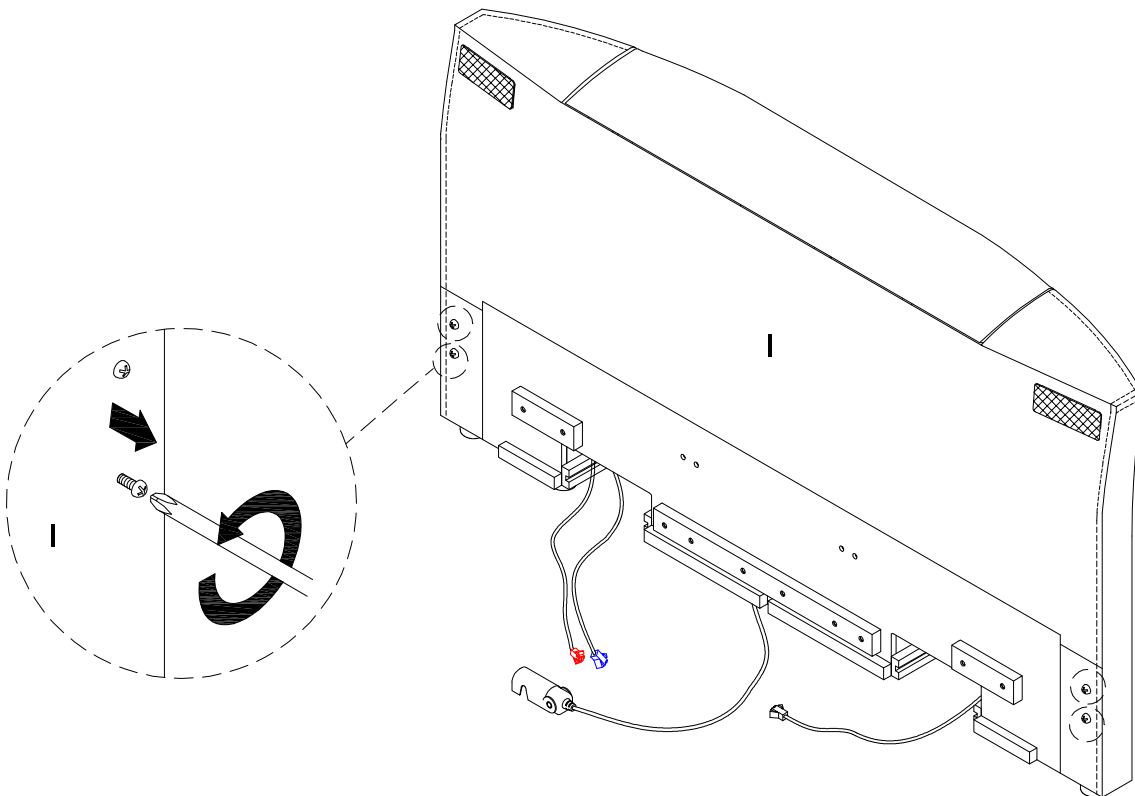
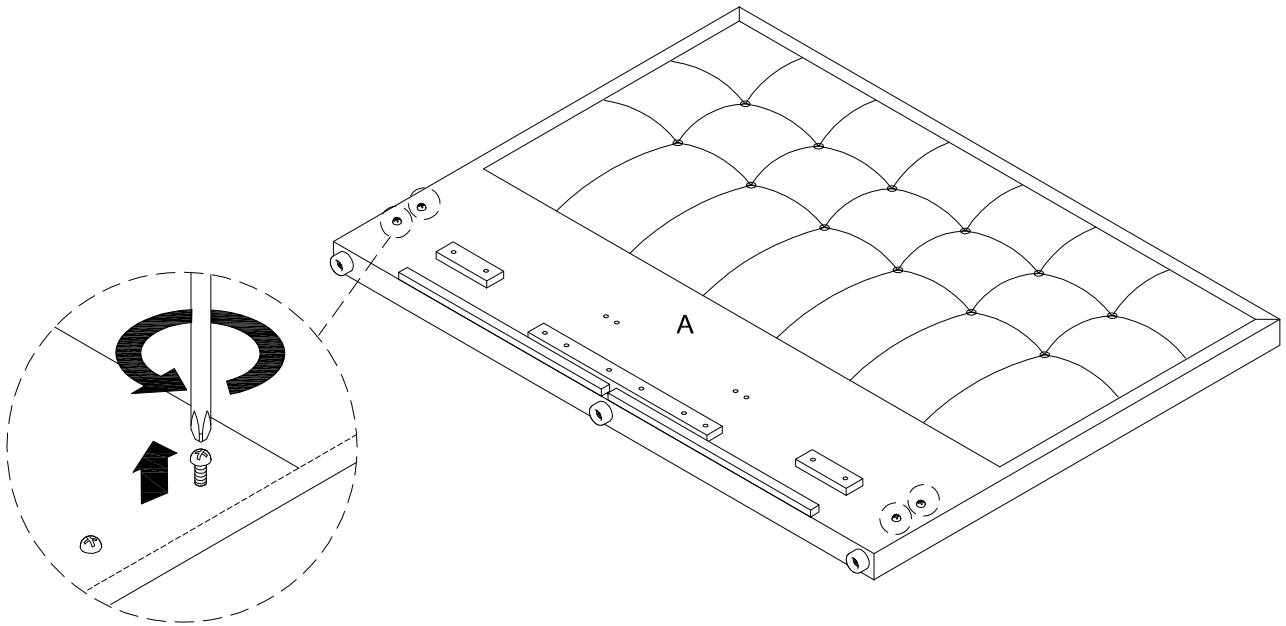
SUPPORT EMAIL: support@bssbfurnitureinnovation.com

UK PRODUCT SUPPORT HOTLINE : 01462600064

Contact your retailer for all other issues such as damage, missing or faulty components (non electrical) or anything else of a non technical/electrical nature.

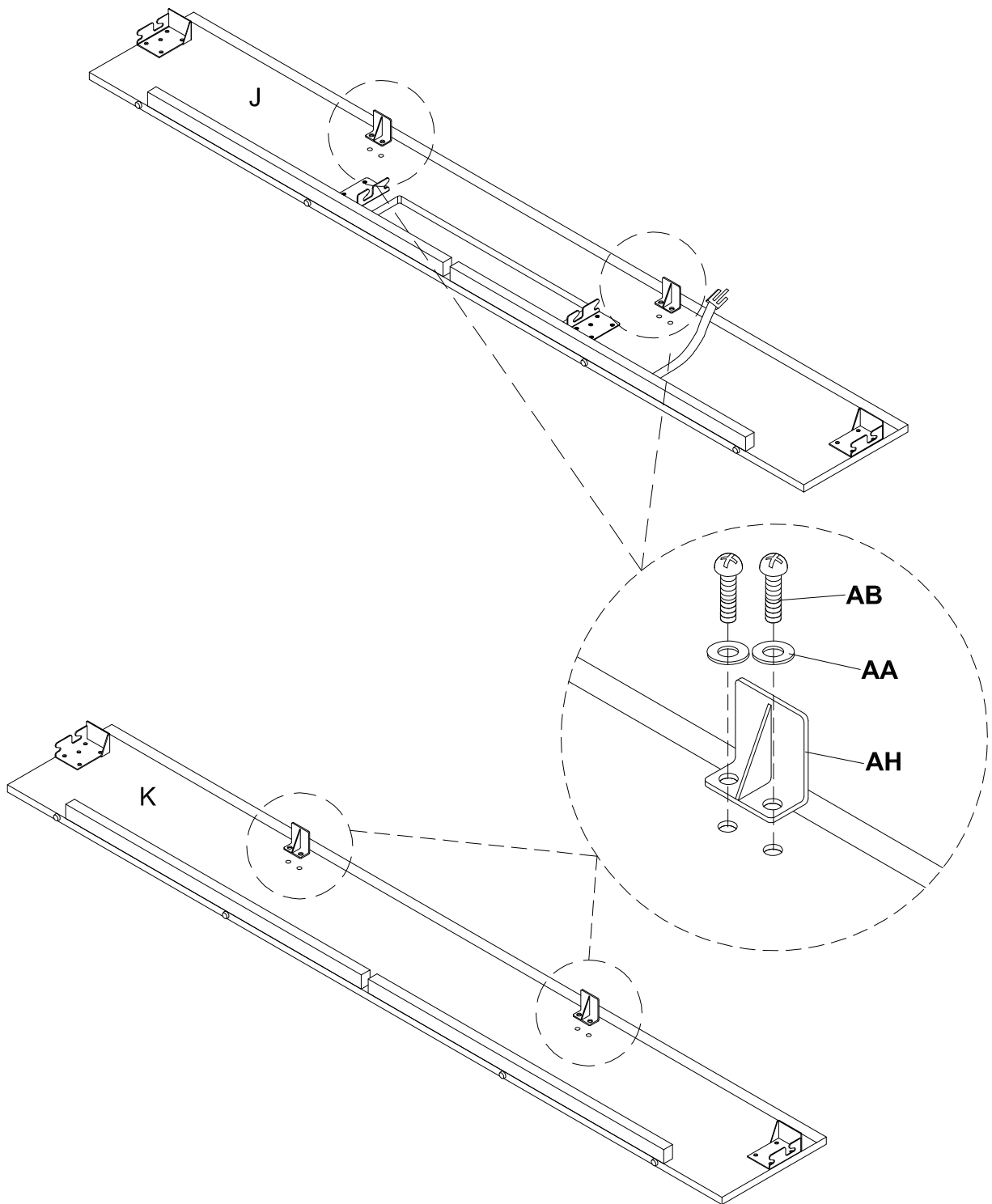
Step 4

- Loosen the bolts located in the Head end (A) and Foot end (I). (Note: only loosen the bolts Do Not remove them.)



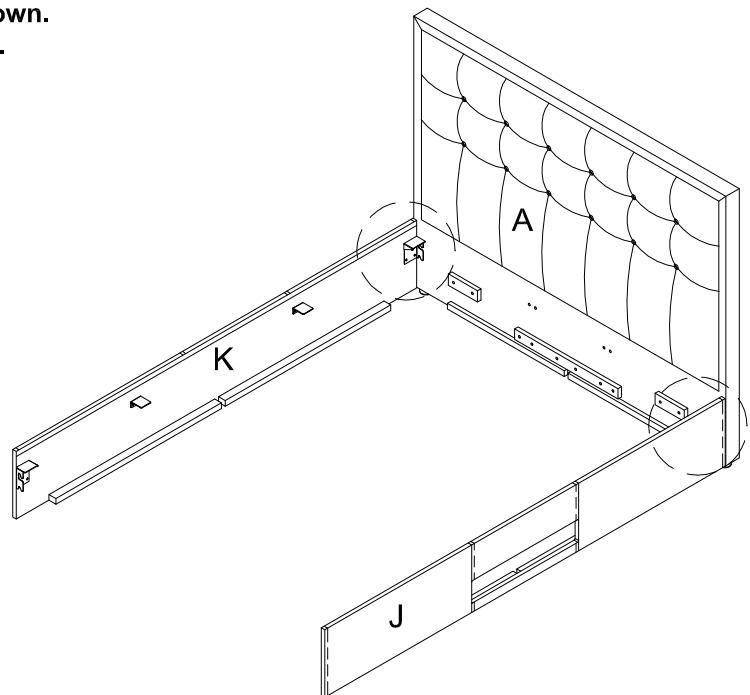
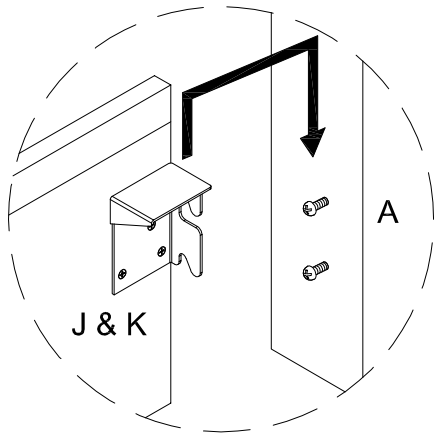
Step 5

- Attach the L Support Bracket (AH) to the side rail (J) and (K) as shown. Fix the L Support Bracket using screw (AB) and washer (AA).
- Tighten the screw using screwdriver (AF).

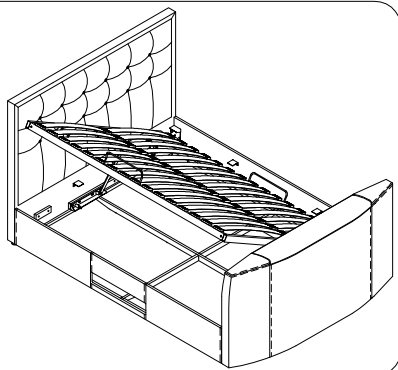


Step 6

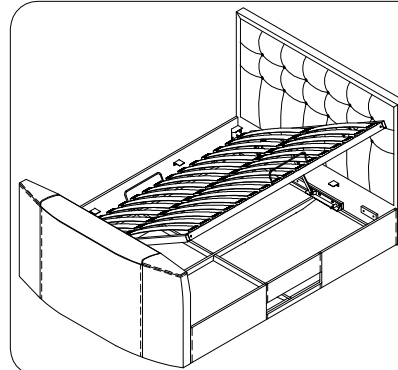
- Before assembly please decide which side you require the " Media Compartment " Part 'J' side rail with opening will need to be placed at that side.
- Loosen the bolts located in the head end. (Note: only loosen the bolts Do NOT remove them.)
- Hook the side rail over the bolts as shown.
- Repeat the action on the opposite side.



OPENING
LEFT SIDE

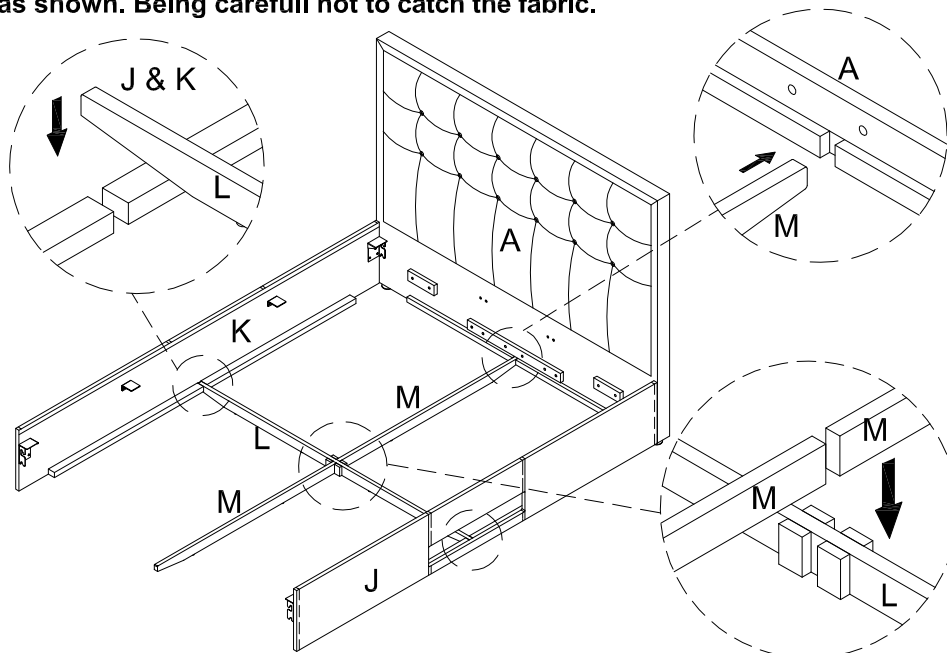


OPENING
RIGHT SIDE



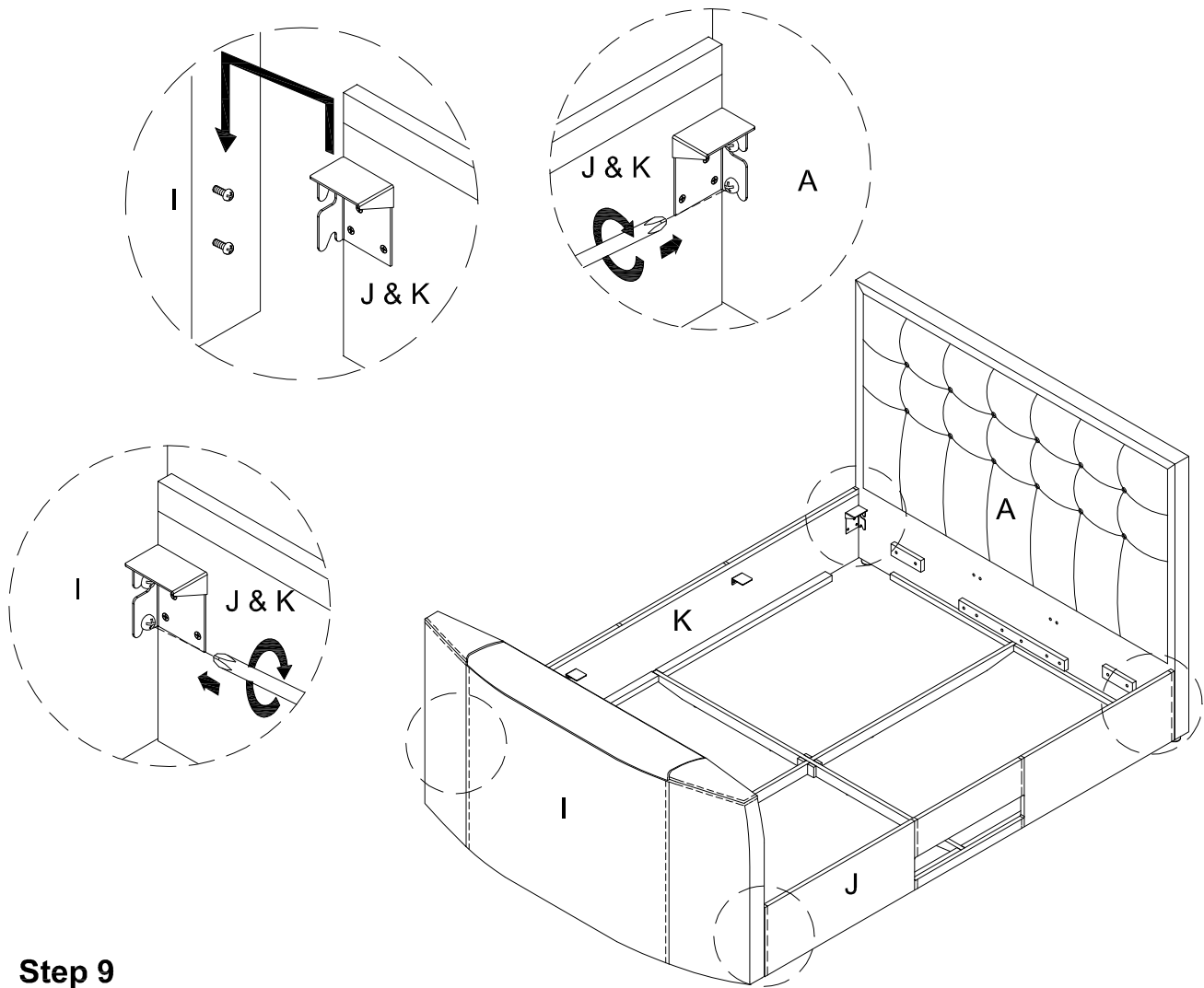
Step 7

- Attach the bottom cross rail (Long) (L) & Bottom cross rail (Short) (M) to the headboard and side rail as shown. Being careful not to catch the fabric.



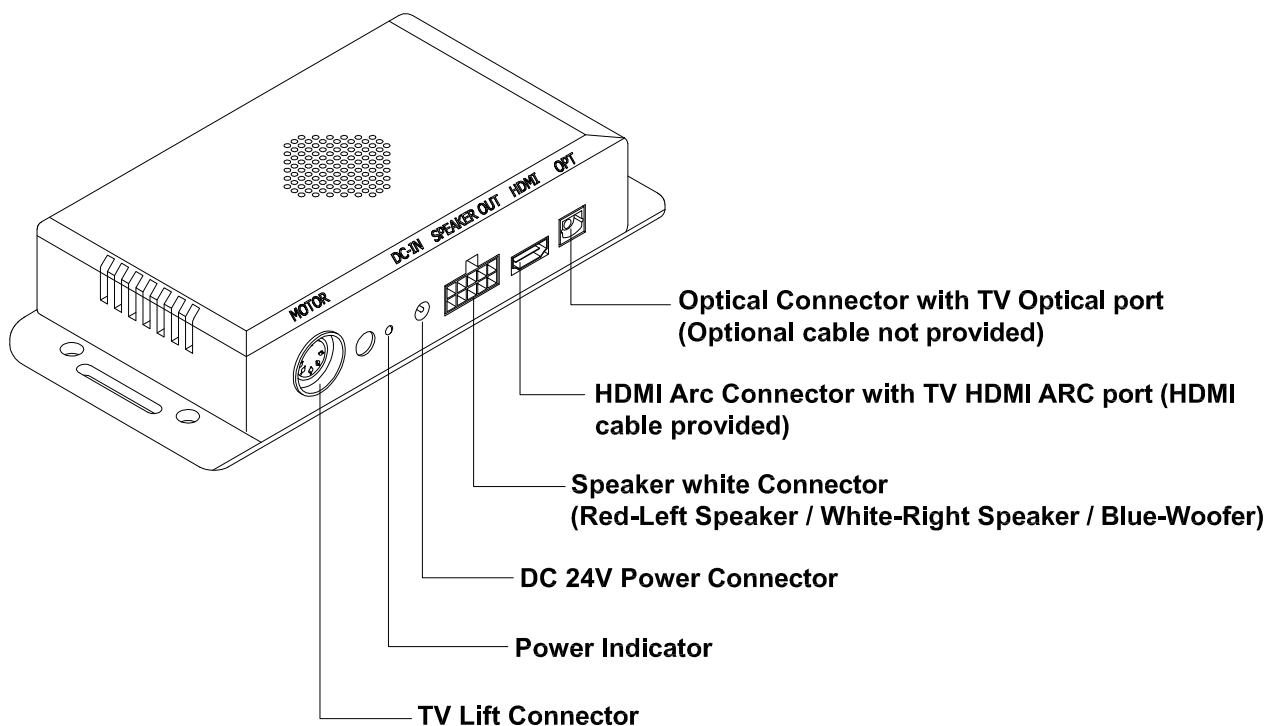
Step 8

- Attach the footboard (I) to the side rail. Hook the side rail brackets over the bolts on both sides.
- Fully tighten all screws on head and foot ends.



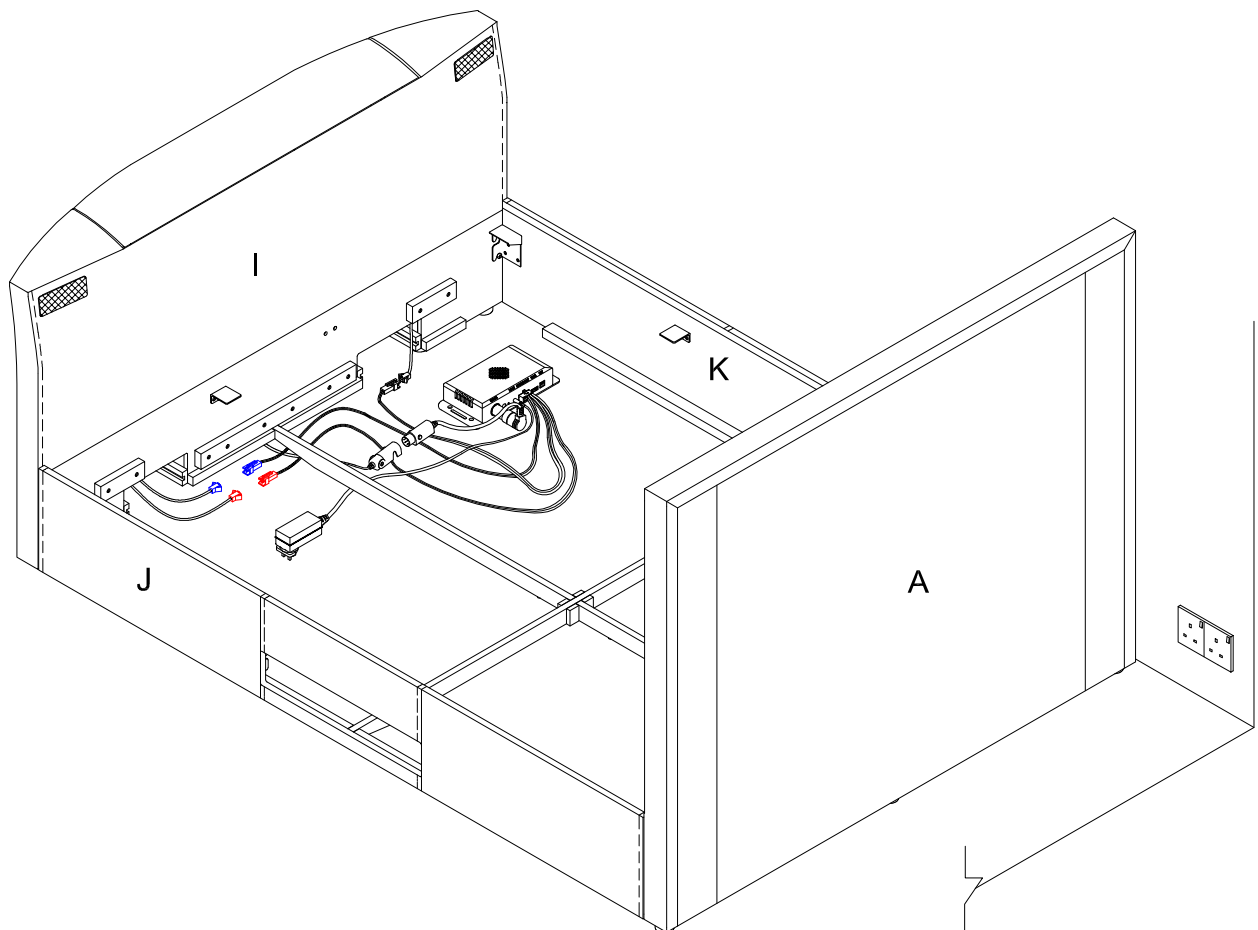
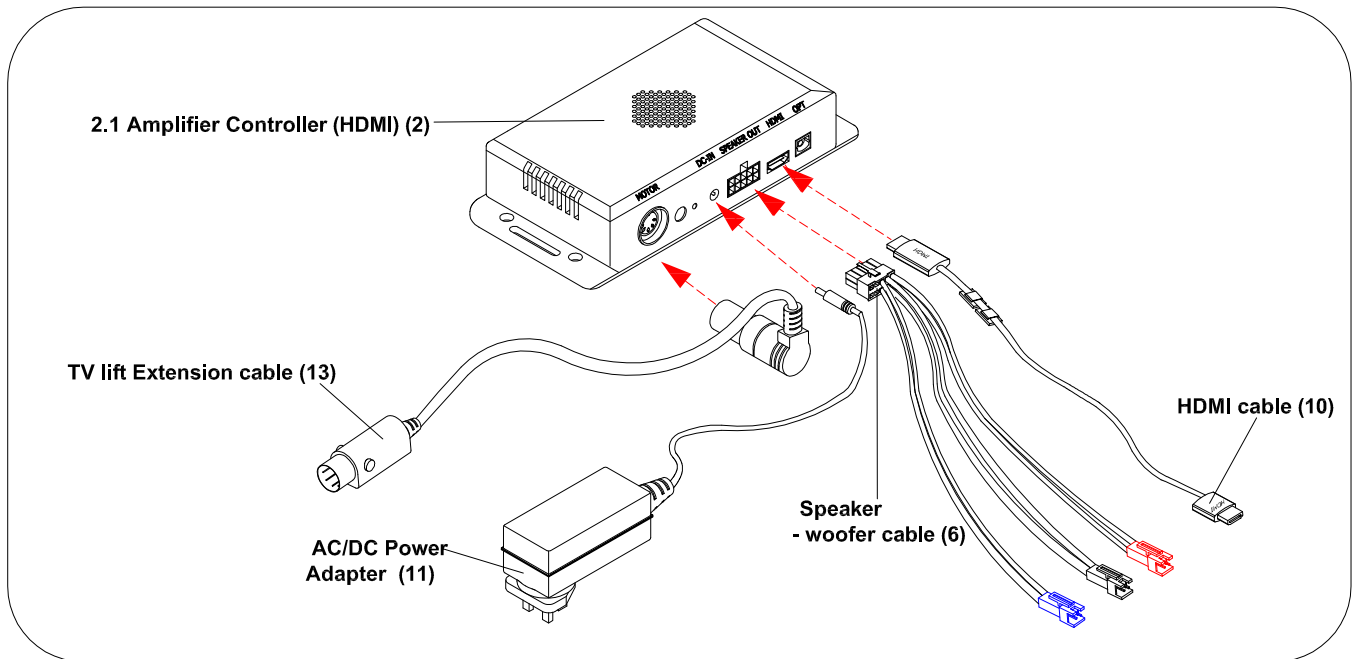
Step 9

- **2.1 Amplifier Controller (HDMI)**



Step 10

- Connecting the 2.1 Amplifier Controller (HDMI) (2) as shown.
- Connect the TV lift Extension cable (13), AC/DC Power Adapter (11), Speaker - woofer cable (6) & HDMI cable (10) to the 2.1 Amplifier Controller (HDMI) (2) as shown.

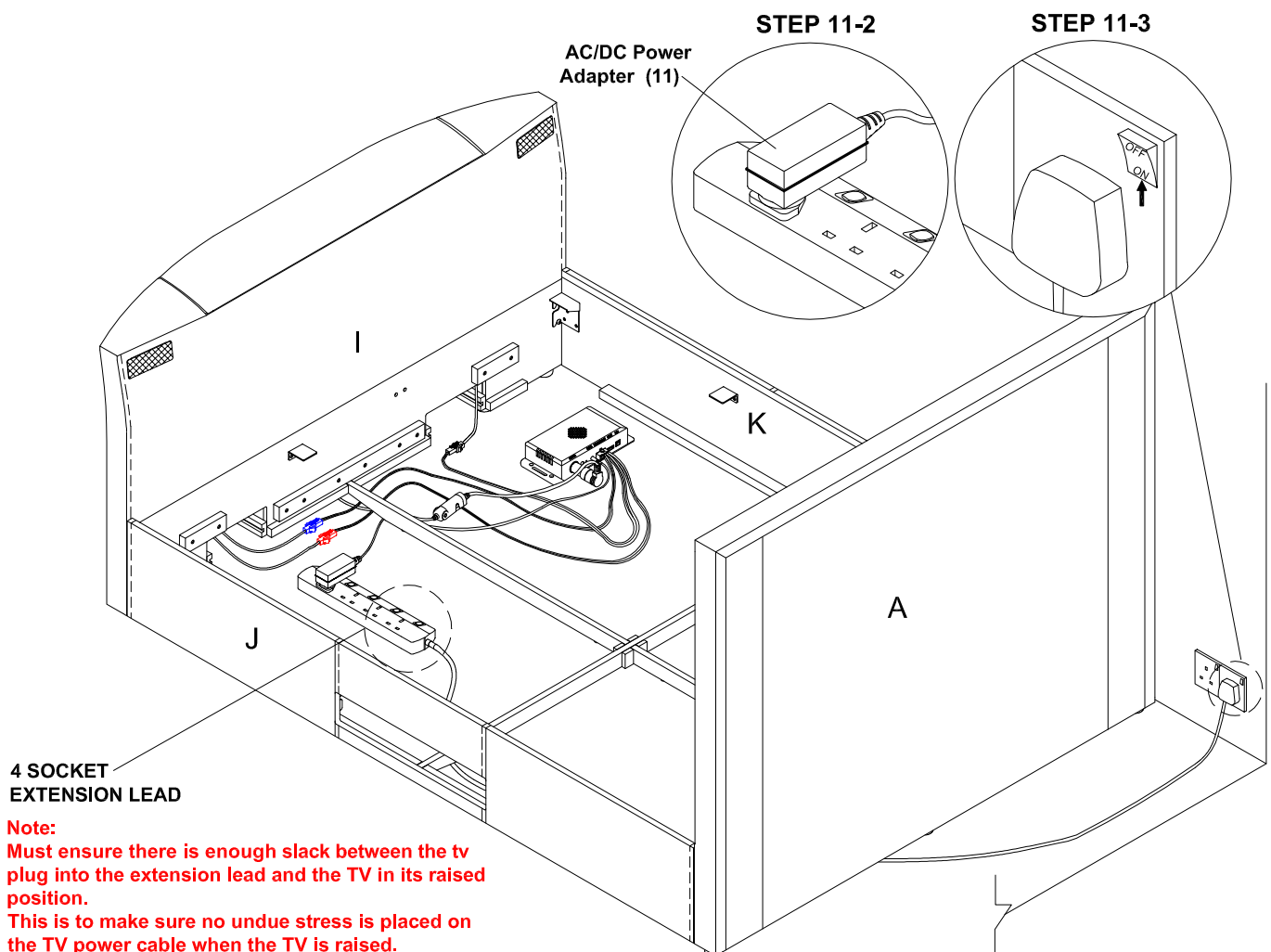
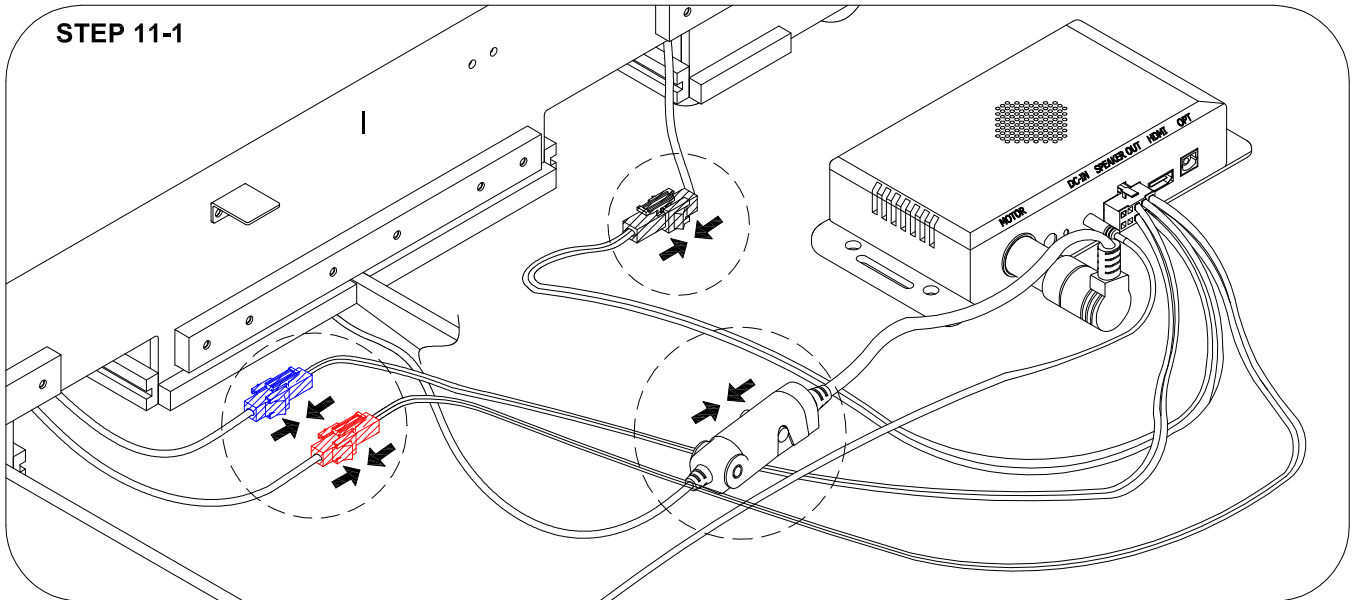


Step 11

STEP 11-1 Connecting the TV Lift Extension cable (13) to the TV Lift up mechanism cable as shown. Connecting the Speaker - woofer cable (6) to the foot end speaker & woofer cable as shown. Blue socket-woofer connector, Red socket-Left speaker connector & White socket-Right speaker connector.

STEP 11-2 Connect the AC/DC Power Adapter (11) power plug into an 4 socket extension lead, then switch on.

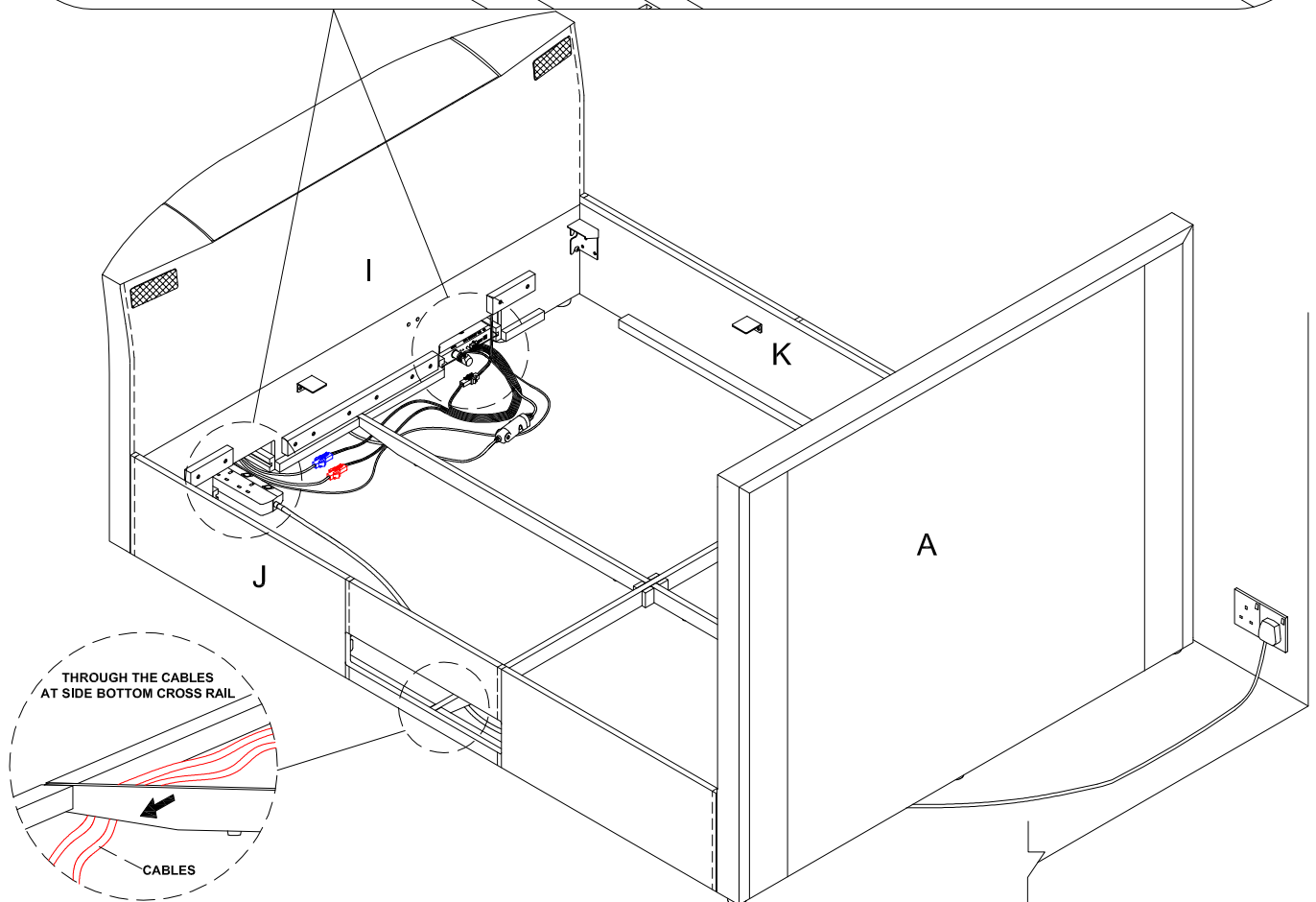
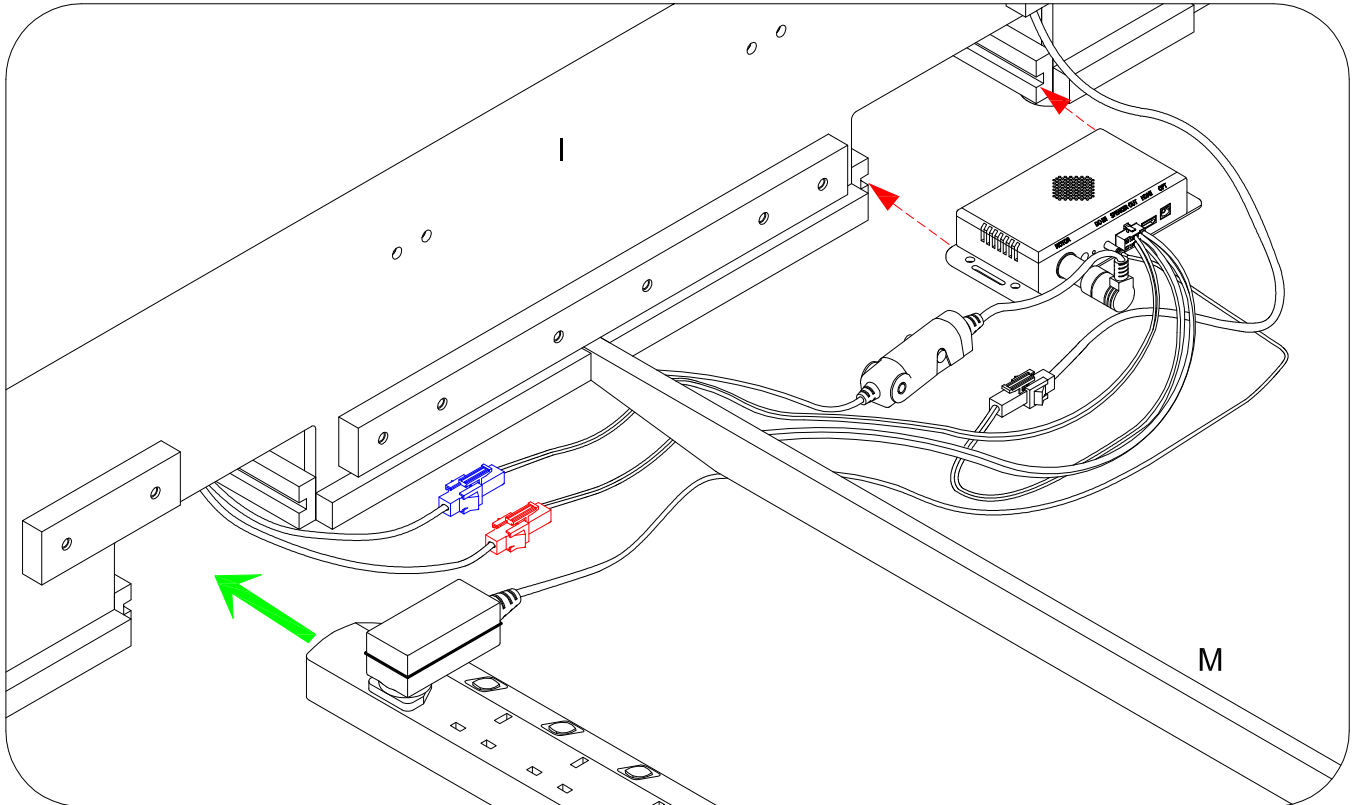
STEP 11-3 Switch on the main power supply. The 2.1 Amplifier Controller (HDMI) (2) , blue indicator light will appear and you will hear the "bluetooth mode" voice indication.



Note:
Must ensure there is enough slack between the tv plug into the extension lead and the TV in its raised position.
This is to make sure no undue stress is placed on the TV power cable when the TV is raised.

Step 12

- Carefully slide the 2.1 Amplifier Controller (HDMI) (2) to the foot end mouse hole as shown.
- This can be place either left or right side of foot end depends the TV cable HDMI (which was locate to left or right side of TV). Diagram showed the 2.1 Amplifier Controller (HDMI) (2) place at right side of foot end.
- Put in 4 socket extension lead to the left side of foot end mouse hole as shown.
- User's must make sure all the cables length sufficient to make sure no undue stress when the TV is raised.



Step 13

- **Installing Batteries in the Wireless Remote Control.**

Battery:

Size: AAA - Ø10.5 X T44.5mm

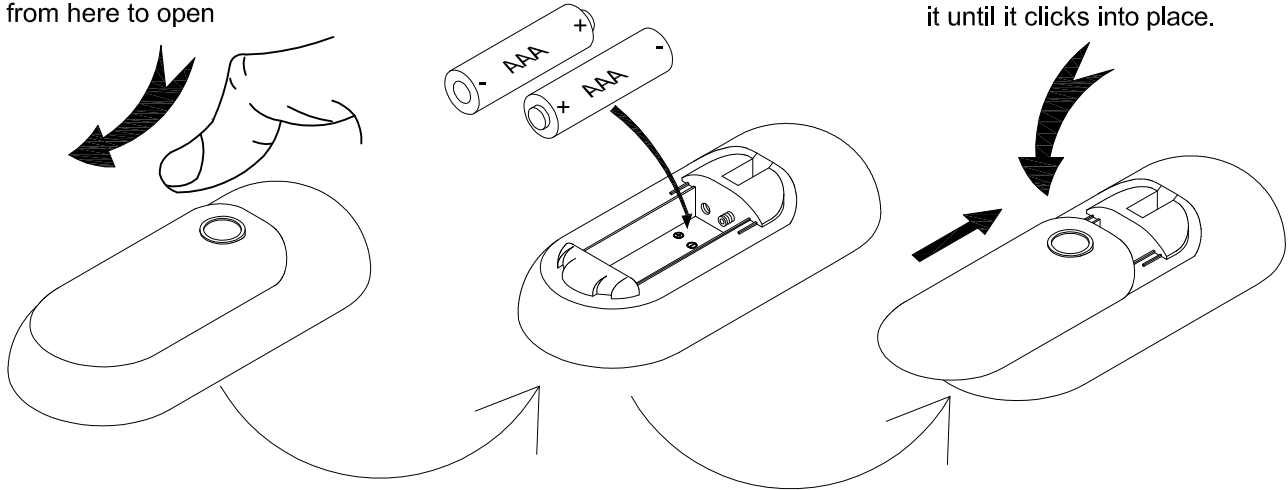
Spec.: 1.5V

(AAA) Batteries x 2pcs (provided) install to battery case.

Caution: May explode or leak if recharged, inserted improperly, mixed with different battery types. Do not open battery. Dispose of used batteries promptly. Keep away from children.

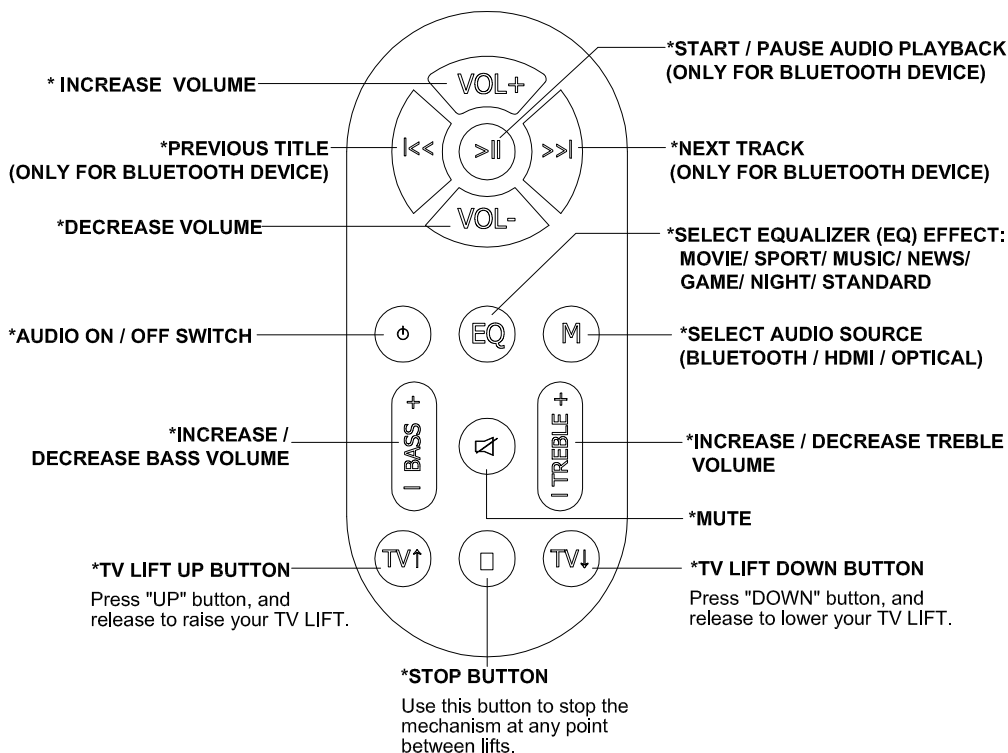
Push out the battery case from here to open

Close the battery cover and slide it until it clicks into place.



Step 14

- **Wireless Remote control.**
- **If the wireless remote control does not operate the TV lift mechanism, please follow the SYNCHRONIZED SETTING shown in below.**

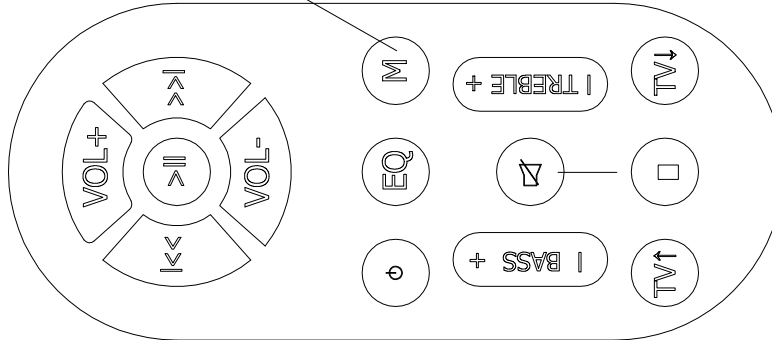


WIRELESS REMOTE CONTROL SYNCHRONIZATION

- Ensure there are two working batteries fitted correctly inside the remote control.
- Turn on the main power supply, then press and hold the TV lift "UP" button for 5 seconds, again to release the button and press the TV lift "UP" button to raise the TV mechanism.
 - Now the wireless remote control is ready to use.
 - If the above step haven't been done, the synchronization was not success and need to repeat the step again.

Step 15

- **2.1 Amplifier -Audio select mode (Bluetooth / HDMI / Optical).**
- **Press the M button on the wireless remote control to select the desired audio mode.**



PLAYING SOUND THROUGH BLUETOOTH CONNECTION - (BLUETOOTH MODE)

- After Audio Power ON, the default mode is "Bluetooth" (voice indication "Bluetooth mode").
- The first time you connect your bluetooth device to this player pairing required.
- On your audio player device - look for "BSSB 2.1S" under BT Connection Settings.
- Select "BSSB 2.1S".
- The BT connection should automatically take place with a connected voice indication " bluetooth connected".
- Adjust the volume / equalizer / according to your sound preferences, on the remote control.

PLEASE NOTE: IN ORDER TO CONNECT AN ALTERNATIVE DEVICE, YOU WILL NEED TO DISCONNECT THE CONNECTED DEVICE FIRST!!

PLAYING SOUND THROUGH THE TV - (HDMI MODE)

- Using the remote control - press 'M' button to switch the audio source to "HDMI mode" with (voice indication "HDMI mode").
- Ensure the HDMI cable is correctly connected to both the television and 2.1 Amplifier Controller (see page 11- step 10 & page19 - step 20 of your assembly instructions).
- Ensure the Television is powered on and playing a picture with sound.
- Adjust the volume / equalizer / according to your sound preferences, on the remote control.

PLAYING SOUND THROUGH THE TV - (OPTICAL MODE)

- Using the remote control - press 'M' button to switch the audio source to "Optical mode" with (voice indication "Optical mode").
- Ensure the optical cable is correctly connected to both the television and 2.1 Amplifier Controller (see page 10 - step 9 & page19 - step 20 of your assembly instructions)..
- Ensure the Television is powered on and playing a picture with sound.
- Adjust the volume / equalizer / according to your sound preferences, on the remote control.

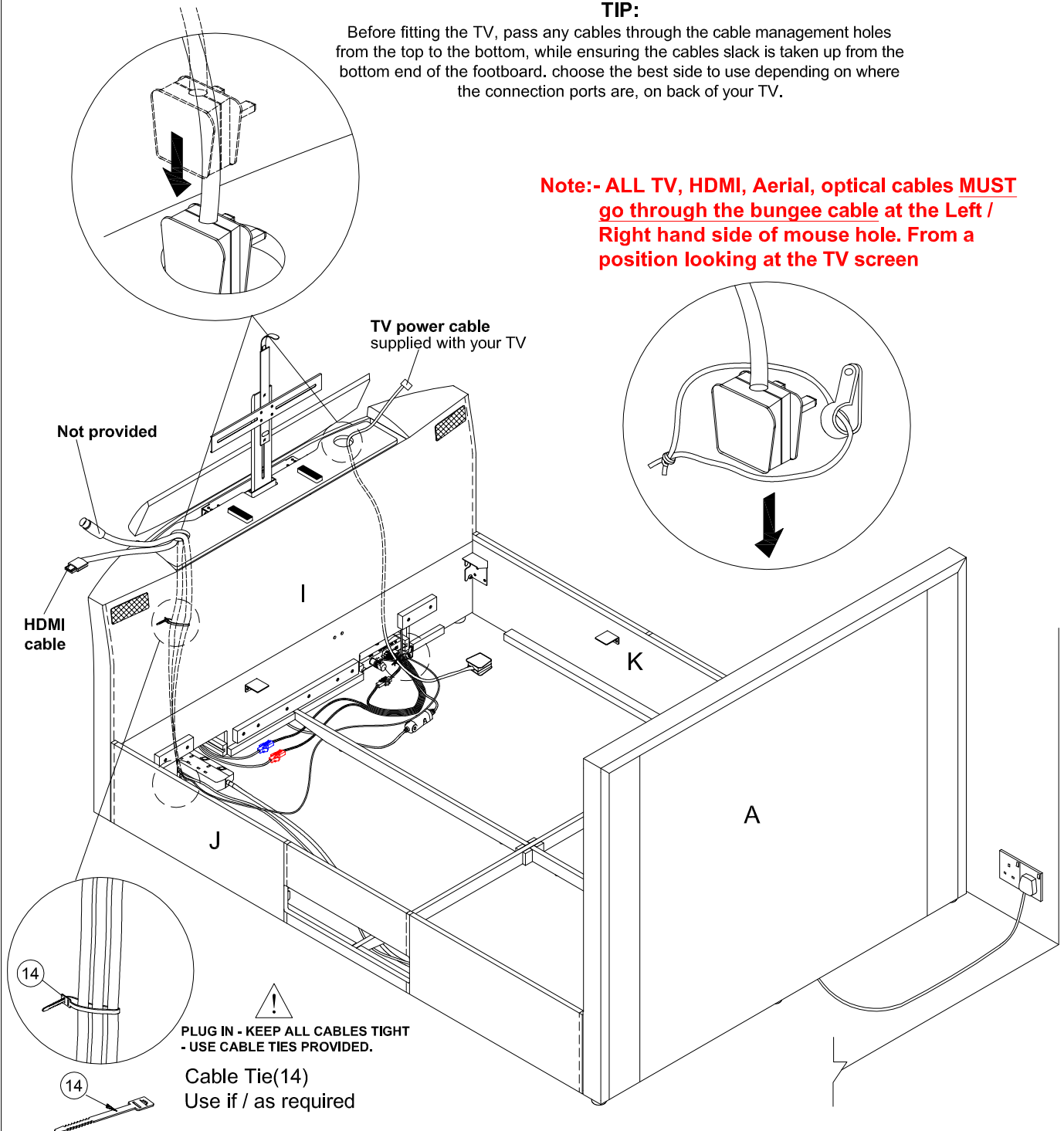
Step 16

- Cable connection plan. Make sure you have all the relevant cable connections required (HDMI cable, TV Aerial cable, TV power cable, Optical cable etc...) before you install the TV.
- The cable management holes are to help you to manage the cable and keep them tidy and free from snags. Pass all cables cleanly through these holes. While ensuring any cable slack is taken up from the bottom end of the footboard.

TIP:

Before fitting the TV, pass any cables through the cable management holes from the top to the bottom, while ensuring the cables slack is taken up from the bottom end of the footboard. choose the best side to use depending on where the connection ports are, on back of your TV.

Note:- ALL TV, HDMI, Aerial, optical cables MUST go through the bungee cable at the Left / Right hand side of mouse hole. From a position looking at the TV screen



Place all cables through the 'Cable Management' holes to prevent any damage to the cable when the TV Lift Mechanism is operating. Make sure all your cables are long enough to let the TV Lift Mechanism move freely.

All cables MUST be carefully pulled and fully extended.

Group the cables together as required below the TV Tray using cable tie(17) provided.

Step 17

- Adjust the TV tray to suit the height of your TV (without stand). Please follow step below:-

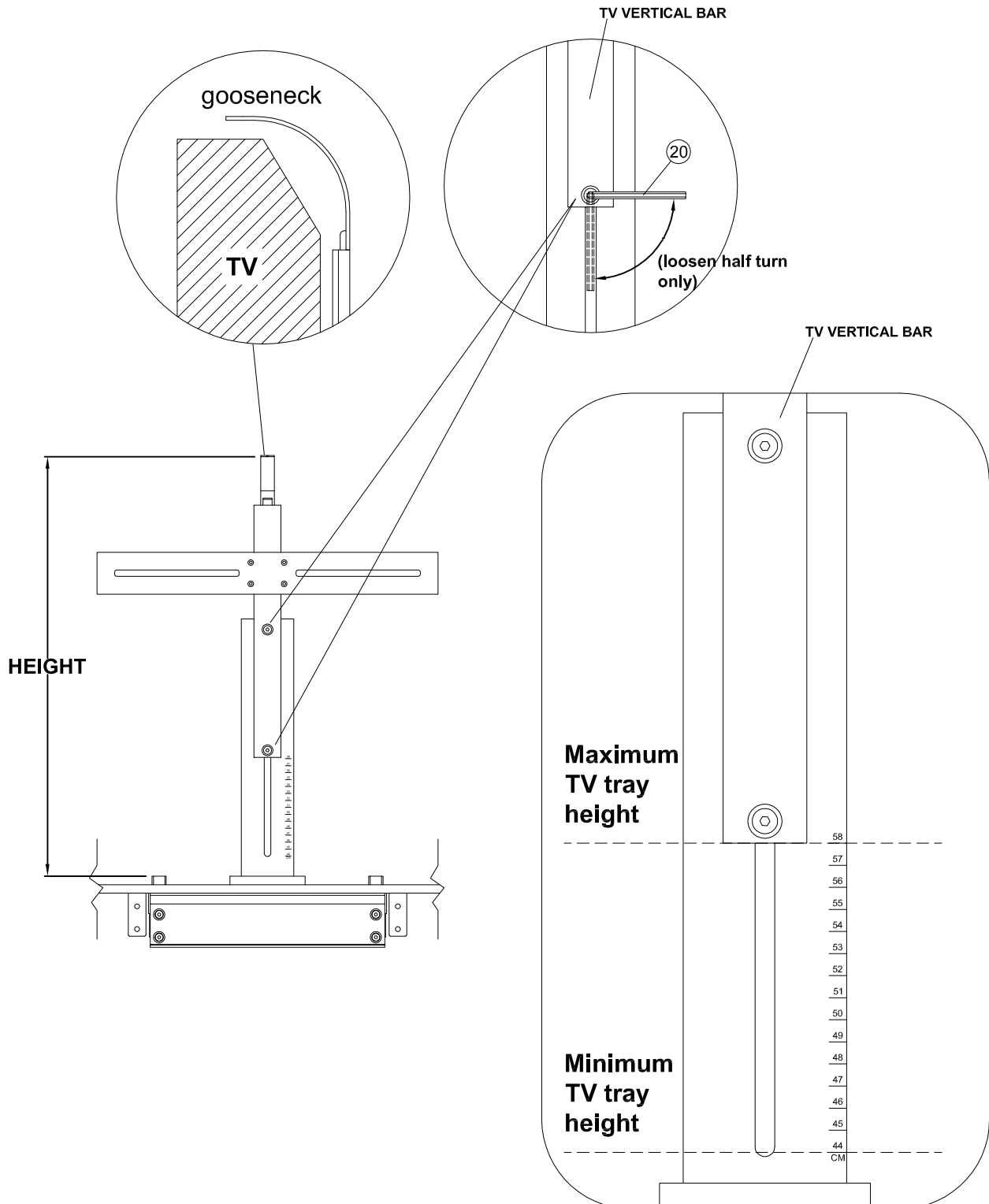
17.1 : Make a note of the height (without stand!) of your television.

17.2 : Use the Allen key (14) to slightly loosen the bolts-half turn only, do not remove all.
(Please refer diagram below)

17.3 : Slide "UP/ Down the TV vertical bar" using the measure line to match the noted height of your TV, then fully tighten the bolts.

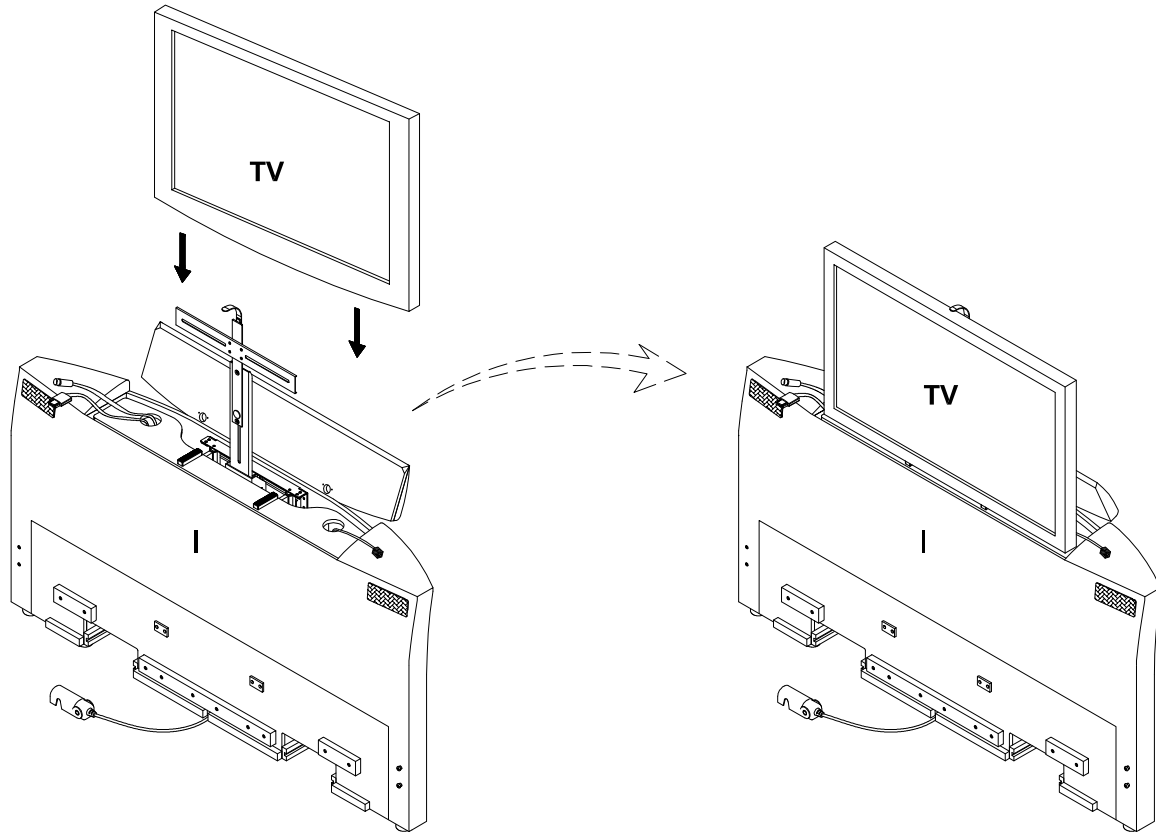
17.4 : When the TV is mounted it should sit neatly just underneath the Gooseneck.

Note: The minimum height of the TV Tray is 440mm which accommodates any of the smaller TV heights (without stand) below 440mm.



Step 18

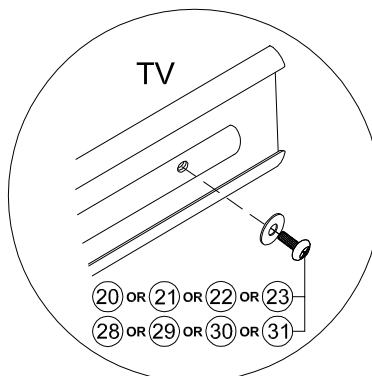
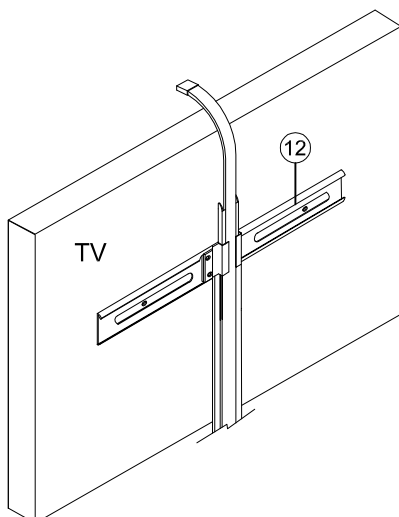
- You are now ready to install your TV.
- Raise the mechanism to it's highest position.
- While standing behind your television (on the outside end of the footboard).
- Carefully place the TV on top of the two rubber TV mounting pedestals - ensuring the Gooseneck arm is perfectly in line with the horizontal 'centre' of the TV.



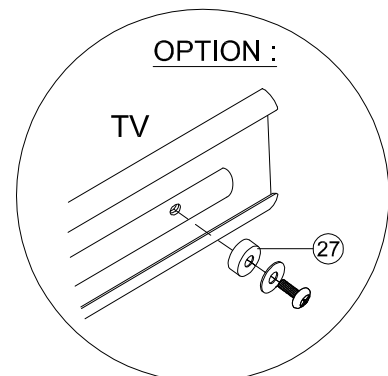
Step 19

• TV Bracket

Please note : Item (20) or (21) or (22) or (23) or (28) or (29) or (30) or (31) screws have been supplied to fit most TV models. However sizes may vary depending on the TV model. If smaller or larger size screws are required these should be source from your local hardware store or TV specialist. Washers may also be required. Your retailer may also supply alternative fixings depending on the TV model supplied at the time.



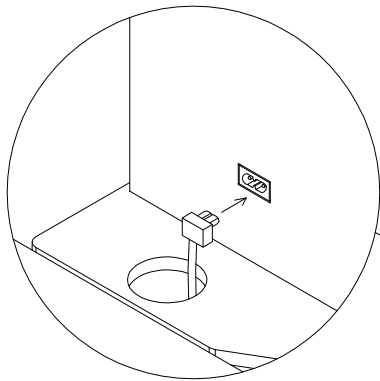
BOLT	(20)	(21)	(22)	(23)
BOLT	(28)	(29)	(30)	(31)
WITH	↓	↓	↓	↓
WASHER	(24)	(24)	(25)	(26)



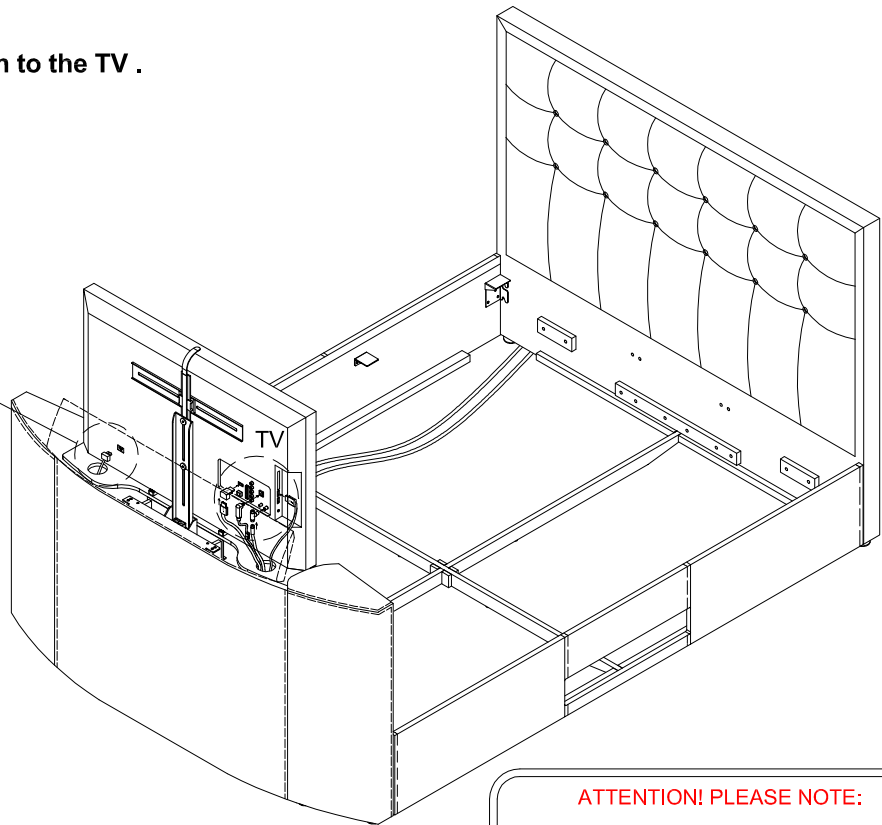
In the event you find the screws are too long for the TV with bracket please use Plastic collar (27) if required.

Step 20

- Install all the cable connection to the TV .



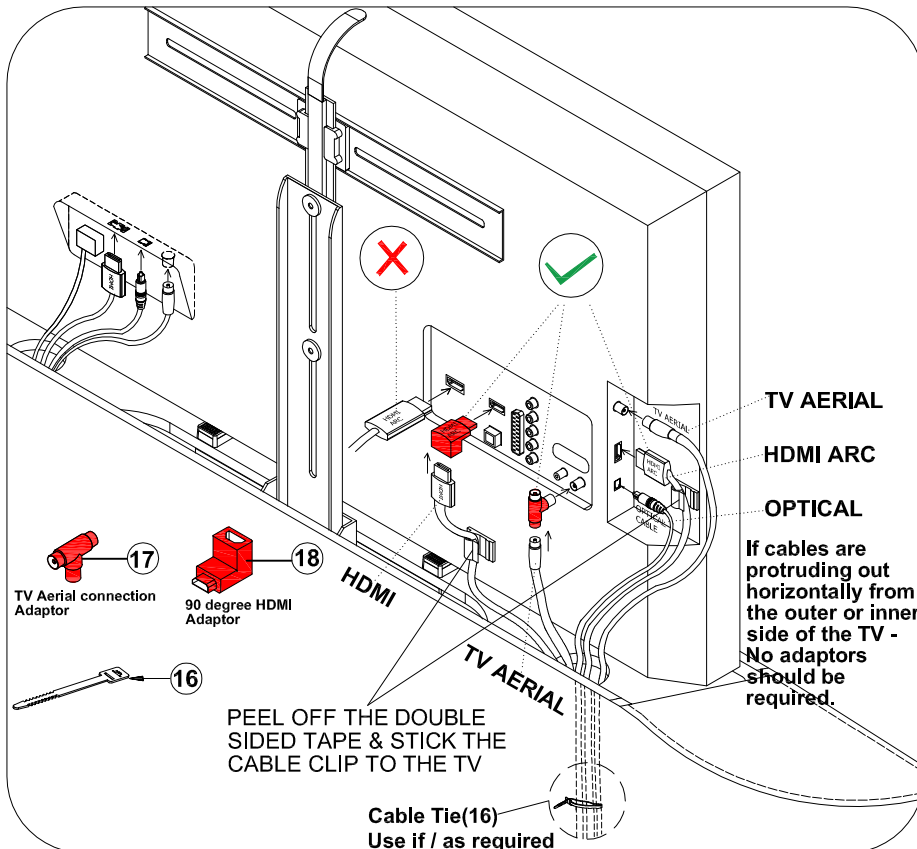
Note: For illustration purposes only, TV connections may vary.



ATTENTION! PLEASE NOTE:

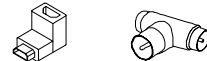
In the event you are experiencing any technical difficulties and you require additional assistance/ support with your product 'Mechanical/ Electrical' function - Please visit: SUPPORT EMAIL: support@bssbfurnitureinnovation.com UK SUPPORT PRODUCT HOTLINE : 01462600064

Contact your retailer for all other issues such as damage, missing or faulty components (non electrical) or anything else of a non technical/electrical nature.



Attention Please Note : Connecting Your HDMI ARC or Aerial Cable as shown in diagram (X) can seriously Damage Your TV sockets.

To reduce this possibility we have supplied 90 degree adaptors for both HDMI and Aerial connections.



This will reduce the cable protrusion and lessen the possibility of the cable colliding with the bed frame.

These can be found in the bed frame hardware pack located in Box 2 (foot end). Please refer to the diagram above for the correct fitting of cables. More detailed information can also be found on page 16 (step 16) of your assembly instructions.

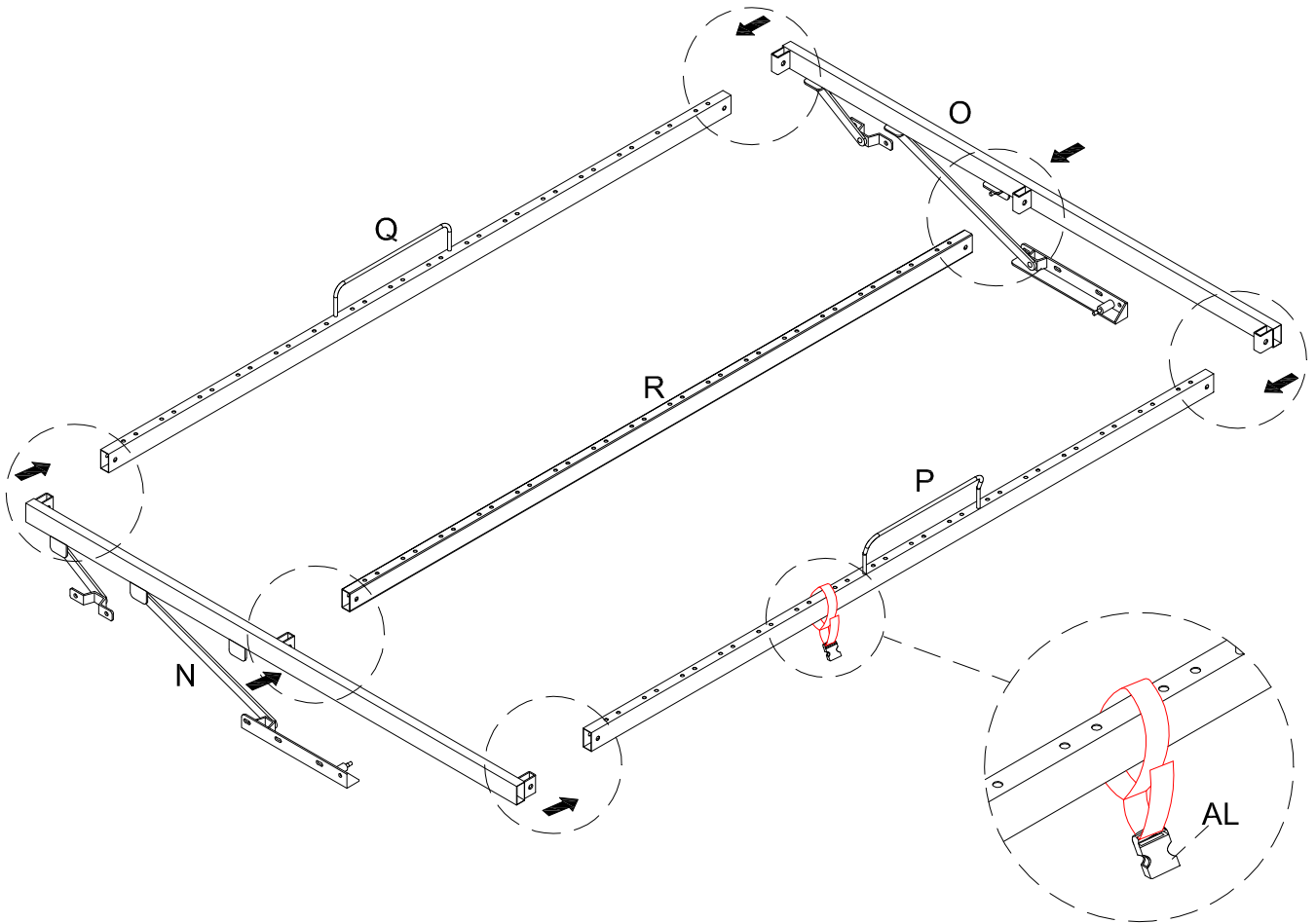
The manufacturer or retailer will not accept responsibility for any damages arising from incorrect installation.

MAKE SURE THE OPTICAL CABLE IS ROUTED CLEAR OF THE OPTICAL CABLE

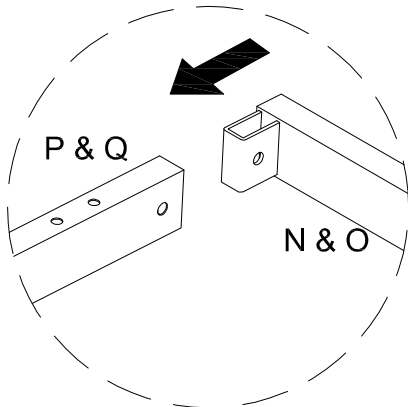
NOTE: The cables port for television, DVD, TV aerial ,Optical etc may not be the same as shown above and vary depending on TV model.

Step 21

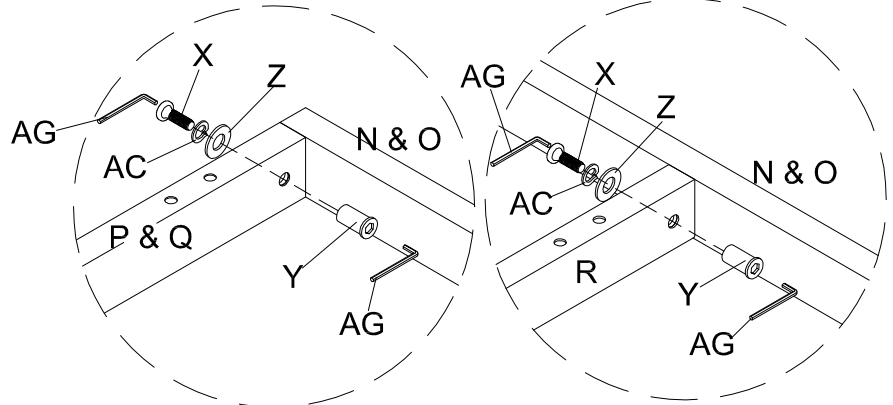
- Attach the Lock Device (Receiving Part)(AL) to the SL Dynamic Front Rail (P) as shown .
- Insert Lift Up Mechanism Left (N) & Lift up Mechanism Right (O) to the SL Dynamic Center Rail (R), SL Dynamic Front Rail (P) & SL Dynamic Back Rail (Q).
- Assemble the Lift Up Mechanism with the screw (X), JCN Nut (Y), Washer (Z) & Spring Washer (AC) using Allen Key (AG) as shown.
- Fully tighten all the screws.



(STEP 21-1)

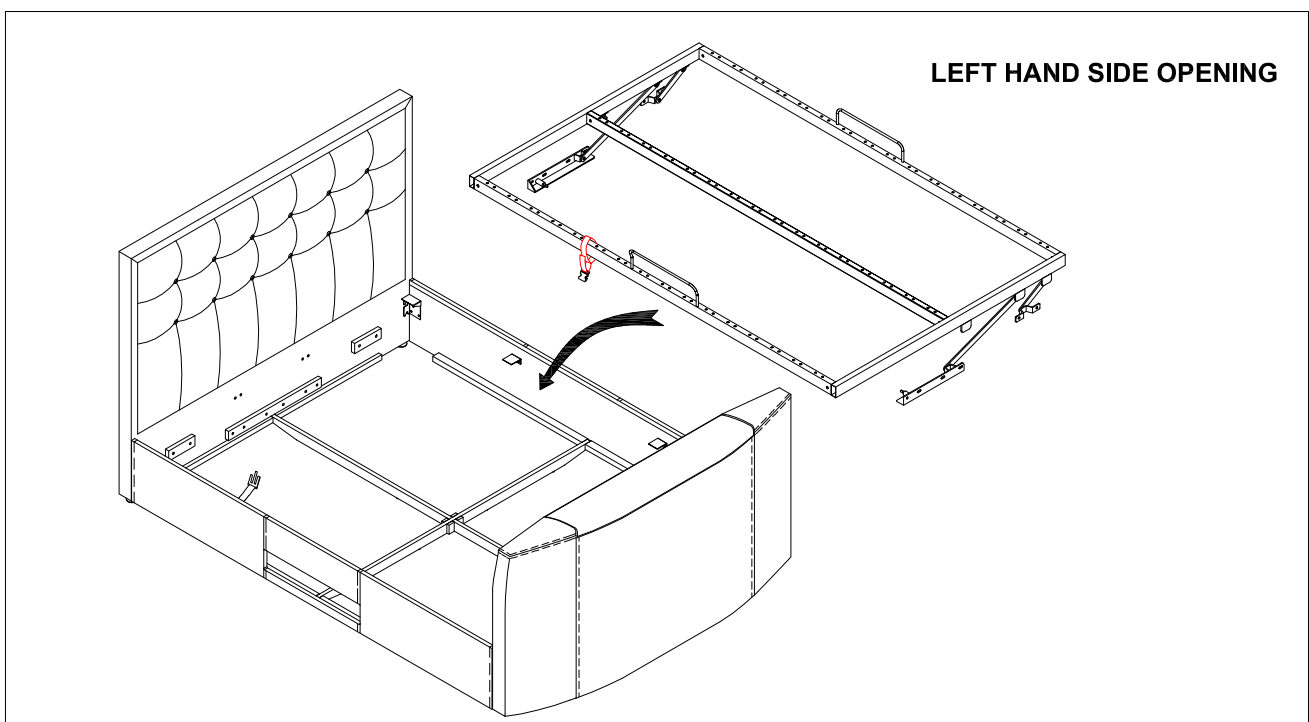
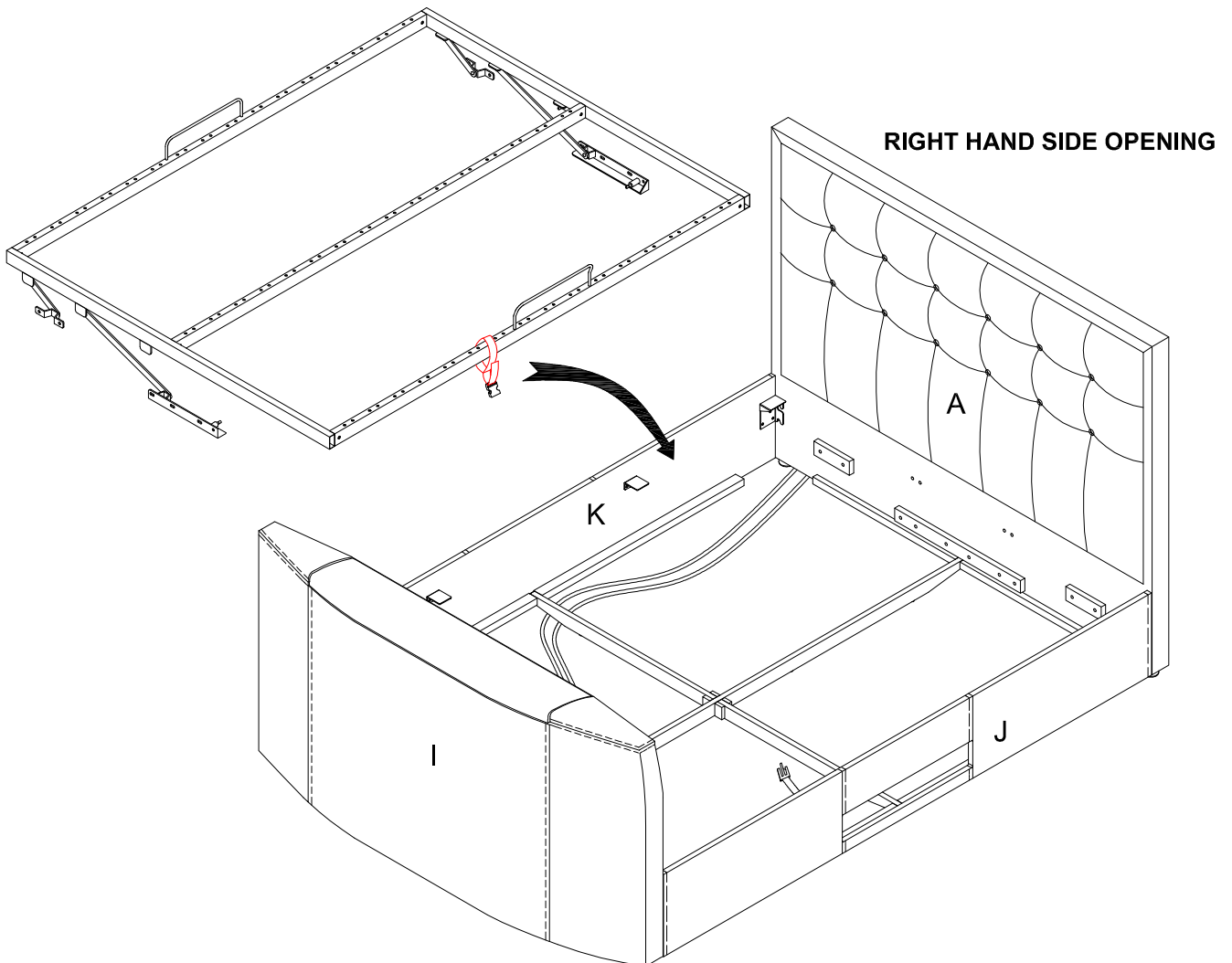


(STEP 21-2)



Step 22

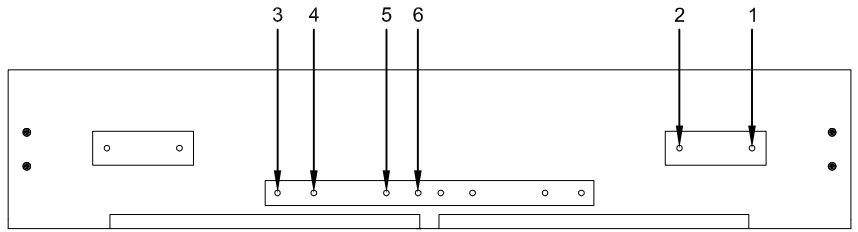
- Carefully place the Lift Up Mechanism on the side rail hook bracket & L Support Bracket.
- Based on if you want your ottoman bedframe to be left or right hand side opening, please follow the relevant instructions below.



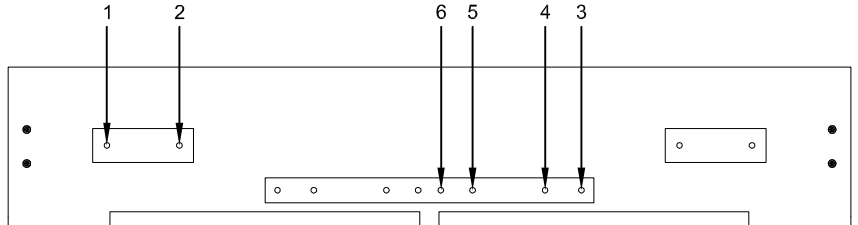
HOLES DETAIL FOR FIXING LIFT UP MECHANISM

DOUBLE BED

LEFT SIDE LIFT UP
FOR DOUBLE BED
(VIEW ON HEAD END)

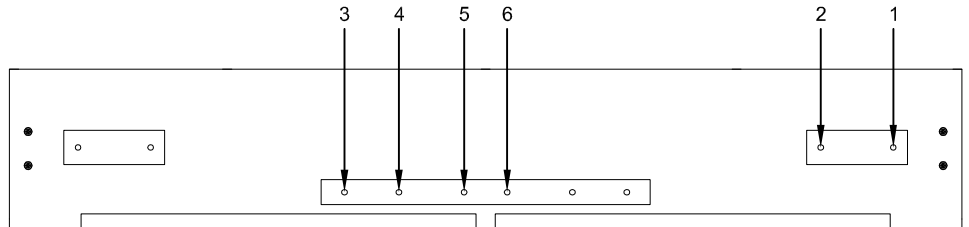


RIGHT SIDE LIFT UP
FOR DOUBLE BED
(VIEW ON HEAD END)

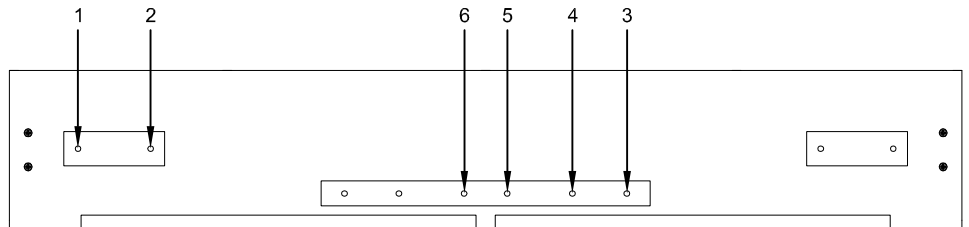


KING BED

LEFT SIDE LIFT UP
FOR KING BED
(VIEW ON HEAD END)

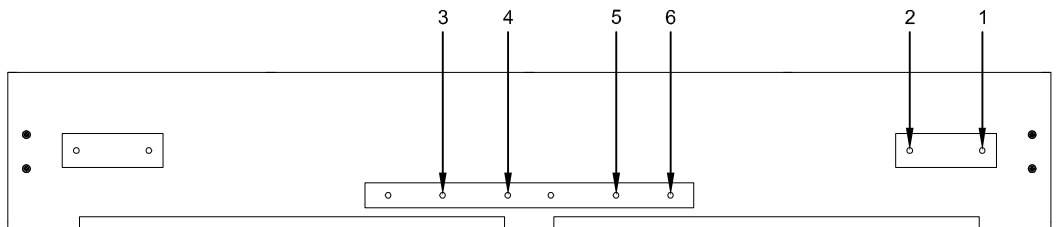


RIGHT SIDE LIFT UP
FOR KING BED
(VIEW ON HEAD END)

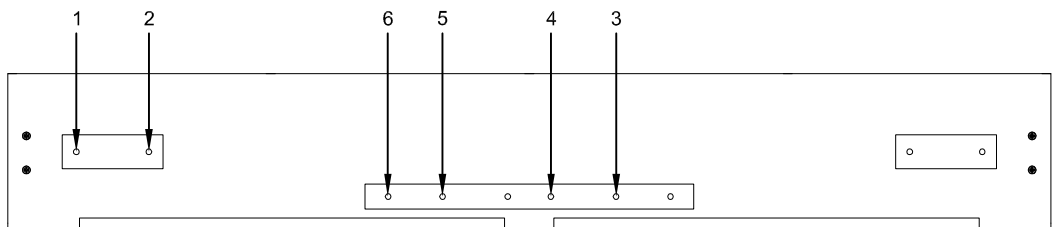


SUPER KING BED

LEFT SIDE LIFT UP
FOR SUPER KING BED
(VIEW ON HEAD END)

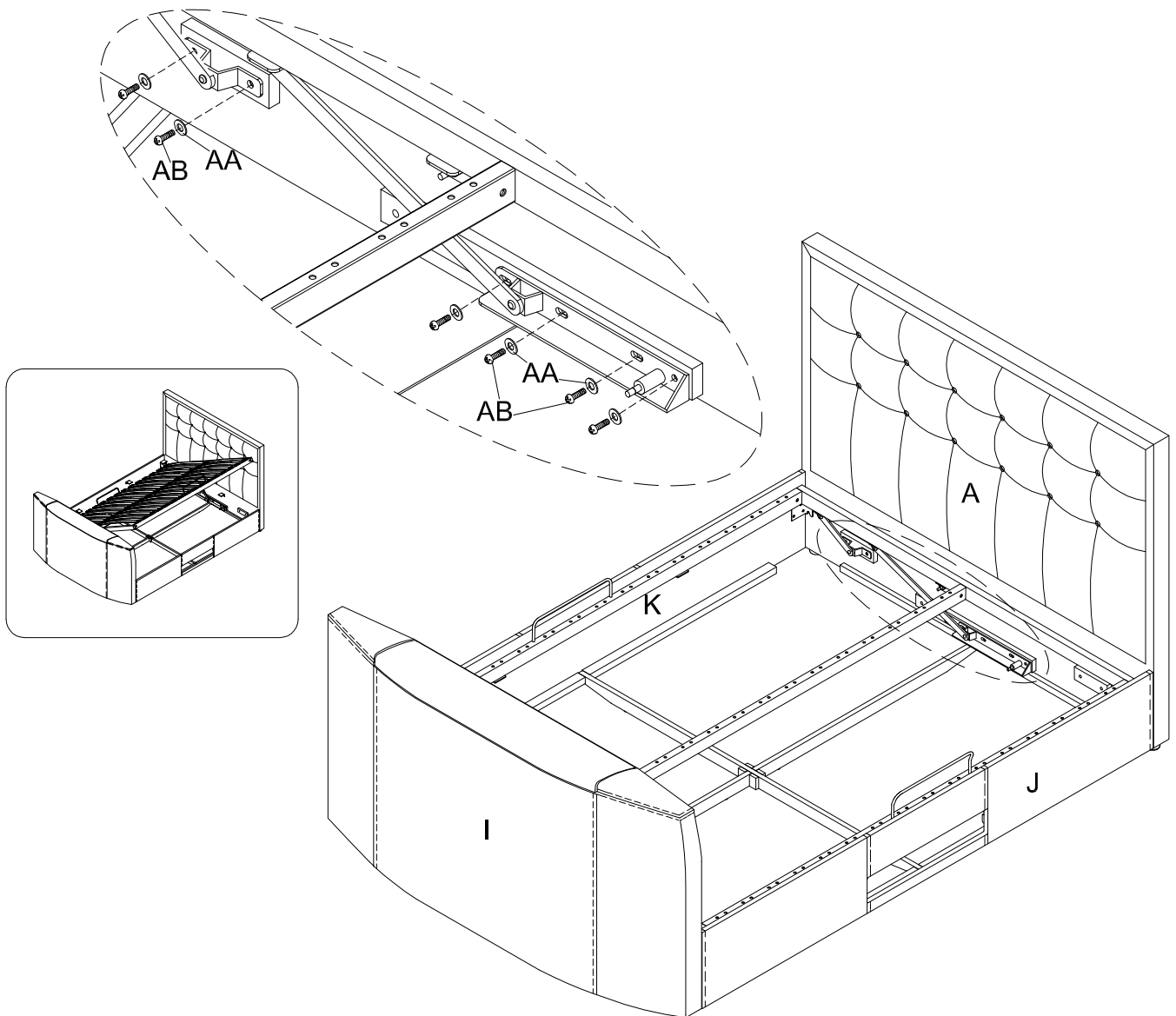


RIGHT SIDE LIFT UP
FOR SUPER KING BED
(VIEW ON HEAD END)



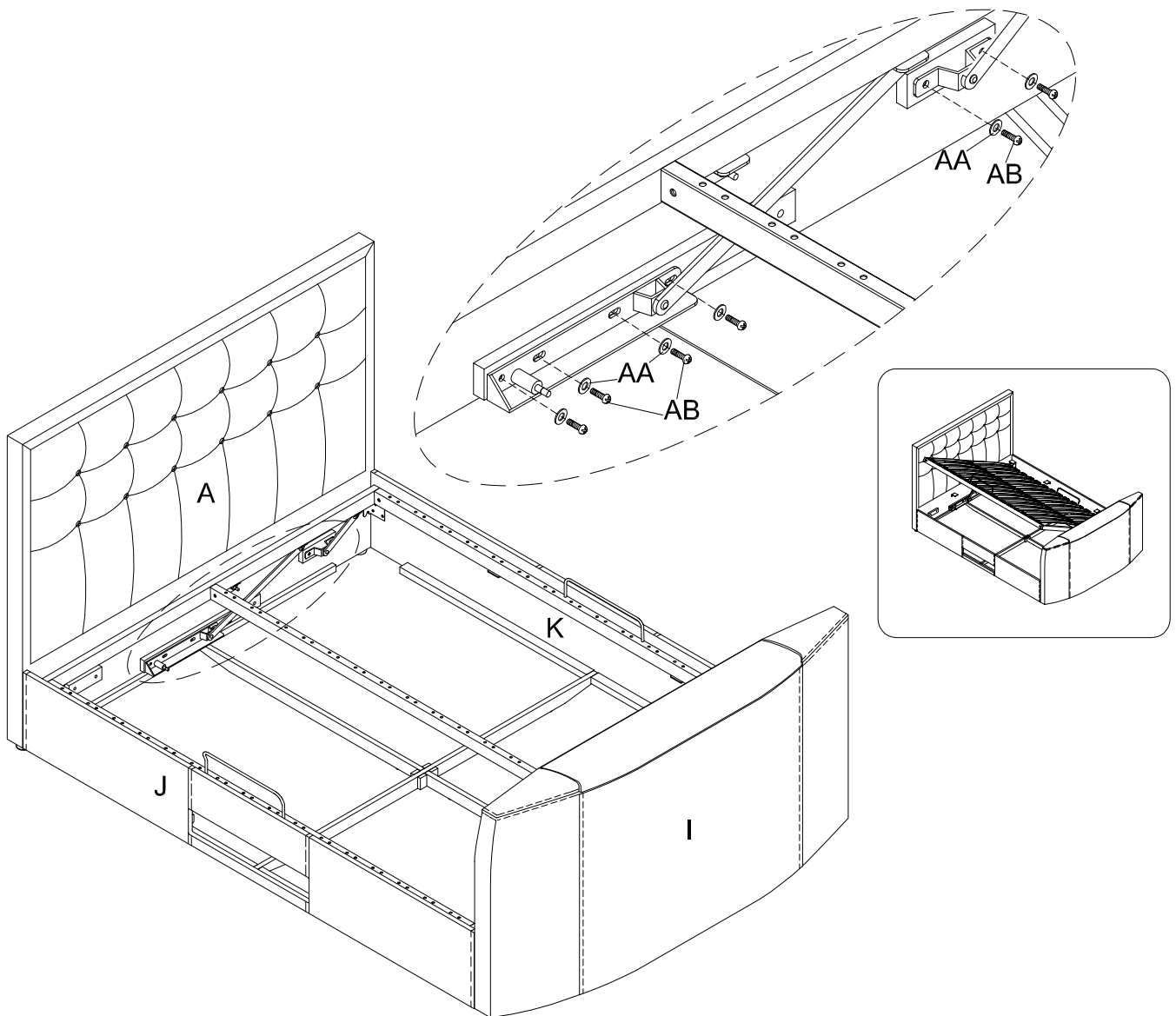
Step 23 (OPTION A)

- Assemble it to the head end & foot end with screw (AB) & washer (AA) provided as shown.
- Refer step below for RIGHT side lift up opening.



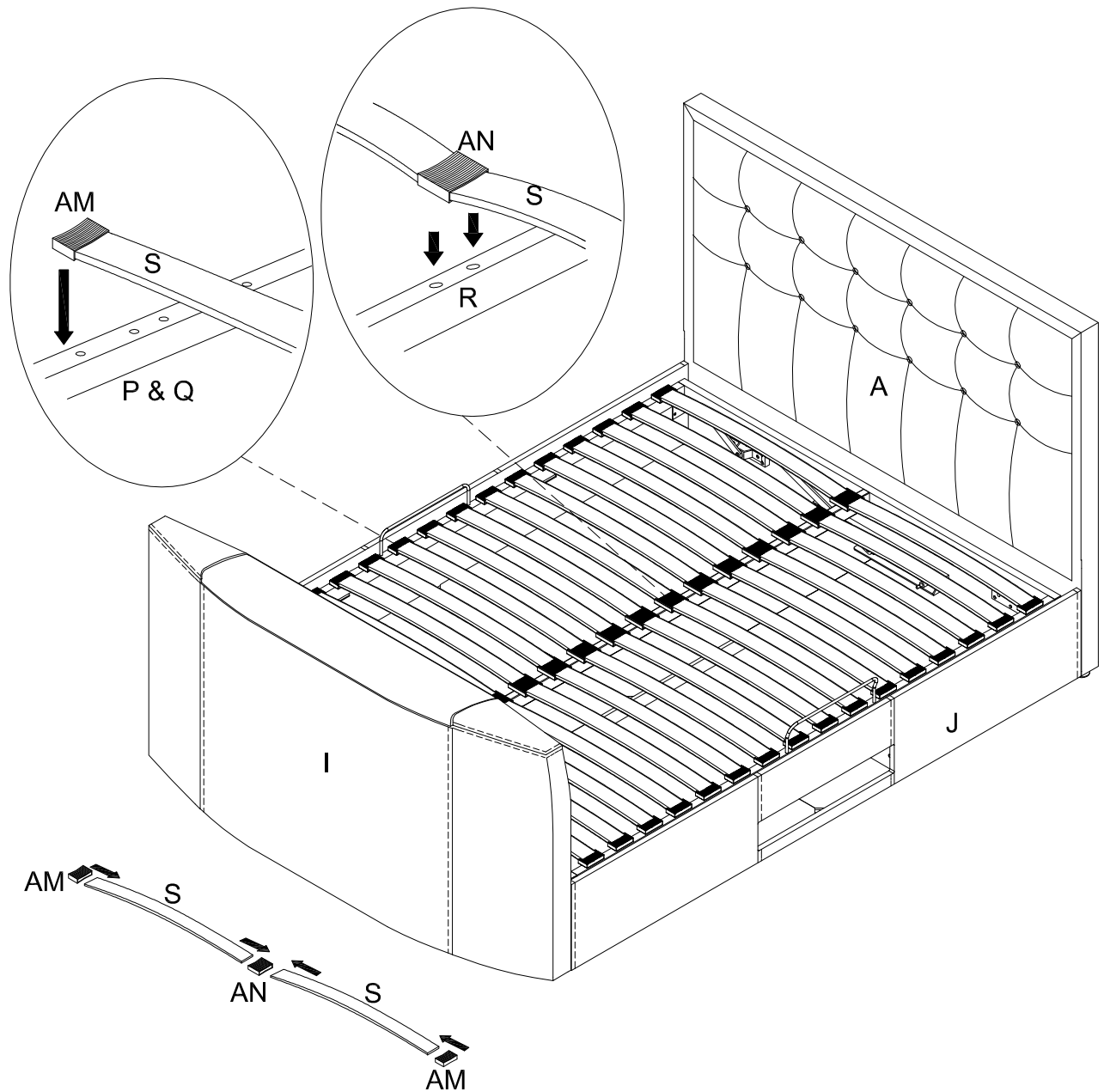
Step 23-1 (OPTION B)

- Assemble it to the head end & foot end with screw (AB) & washer (AA) provided as shown.
- Refer step below for LEFT side lift up opening.



Step 24

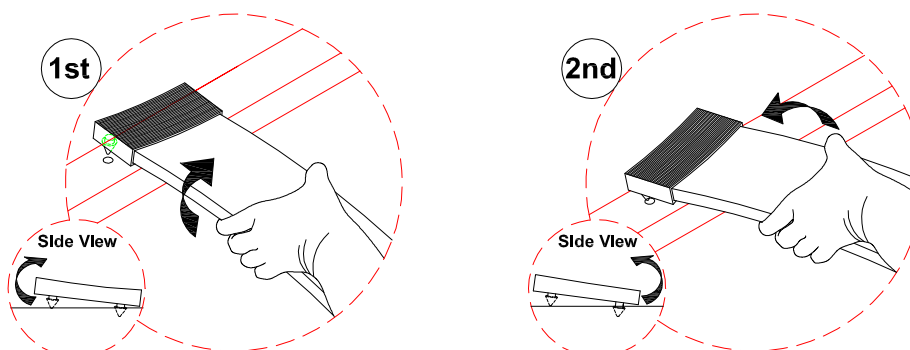
- Attach middle cap (AN) and end cap (AM) to the bend slat (S).
- Push the middle cap into the center rail first. Then end caps to Front Rail & Back Rail.



(DISMANTLE THE SLAT CAP)

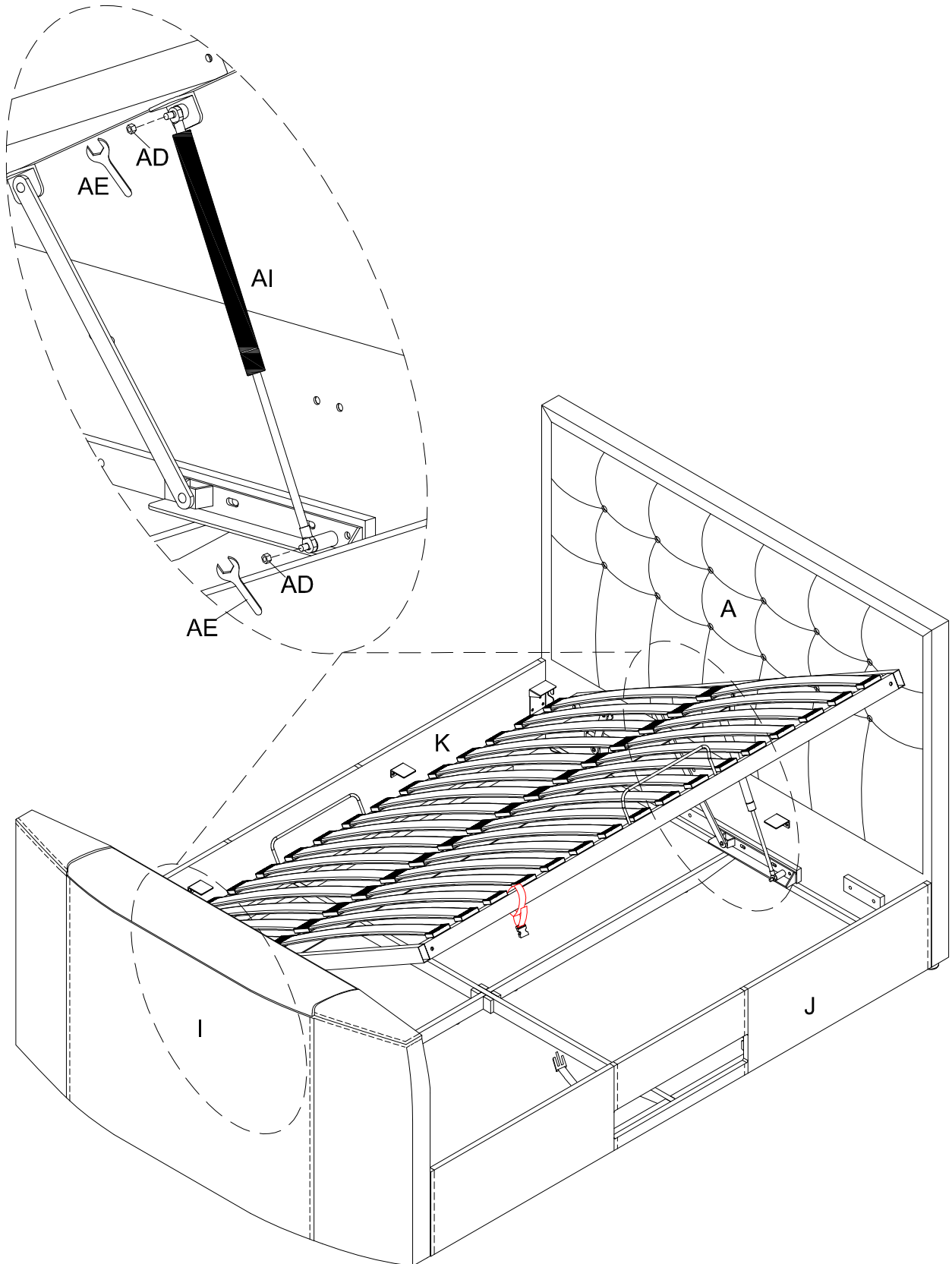
Step 25

- Firstly, remove both end cap from Lift Up Mechanism & remove one side of slats as shown.



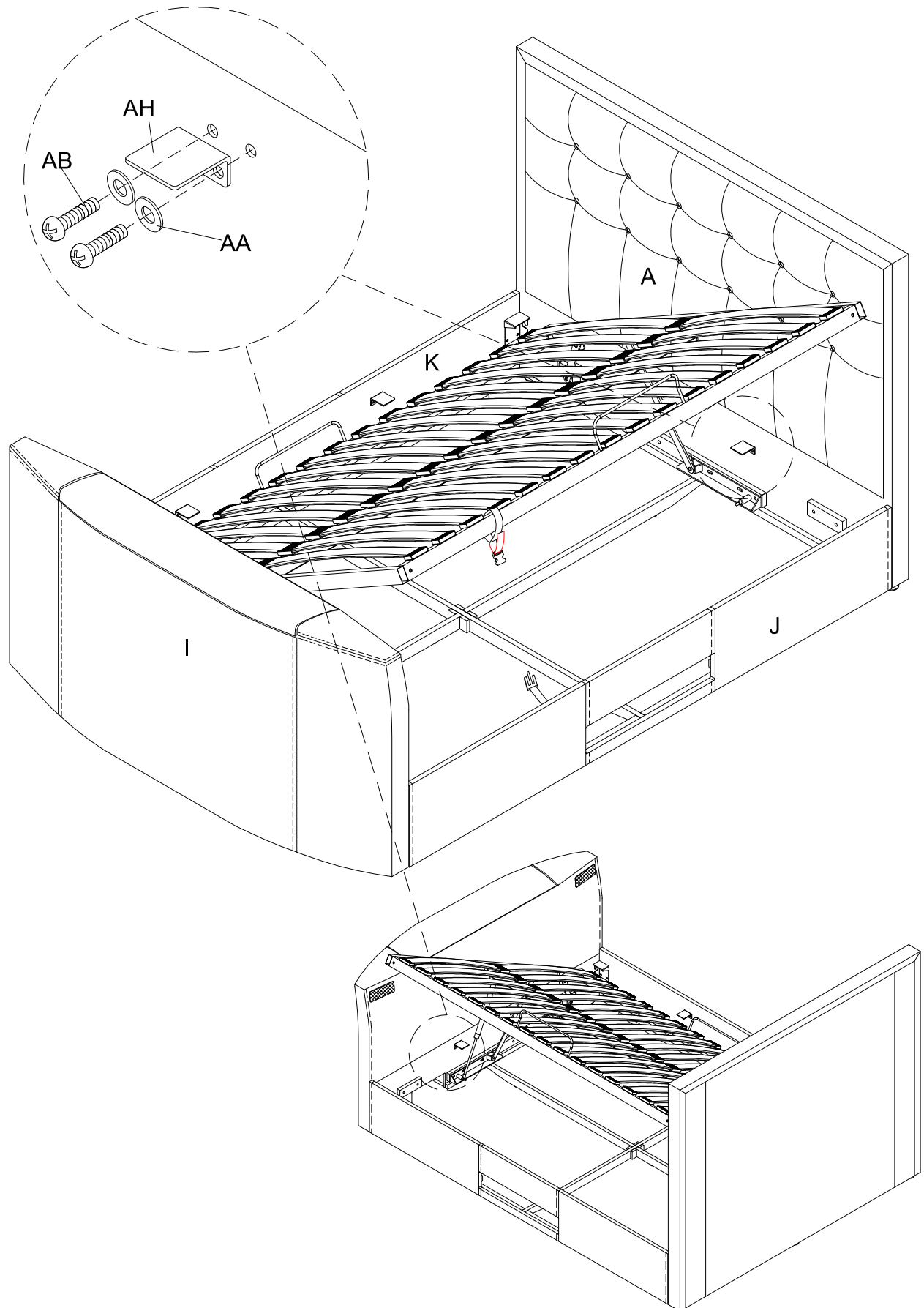
Step 26

- Assemble the gas cylinder (AI) to the Lift up Mechanism with Nut (AD) & Spanner (AE) provided as shown.



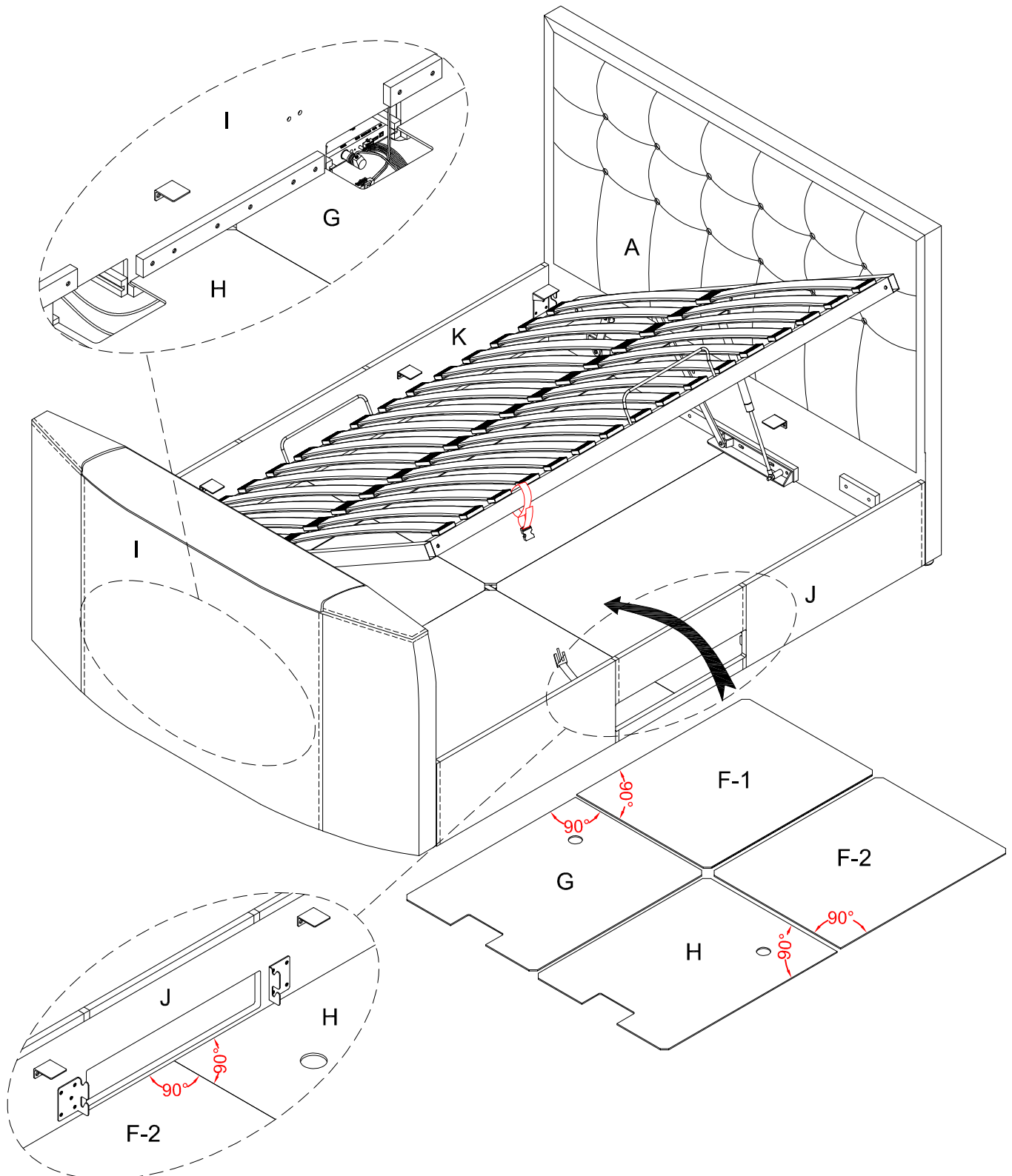
Step 27

- Attach the L Support Bracket (AH) to the head end and foot end. Fix the L Support Bracket using screw(AB) and washer (AA).
- Tighten the screw using screwdriver (AF).



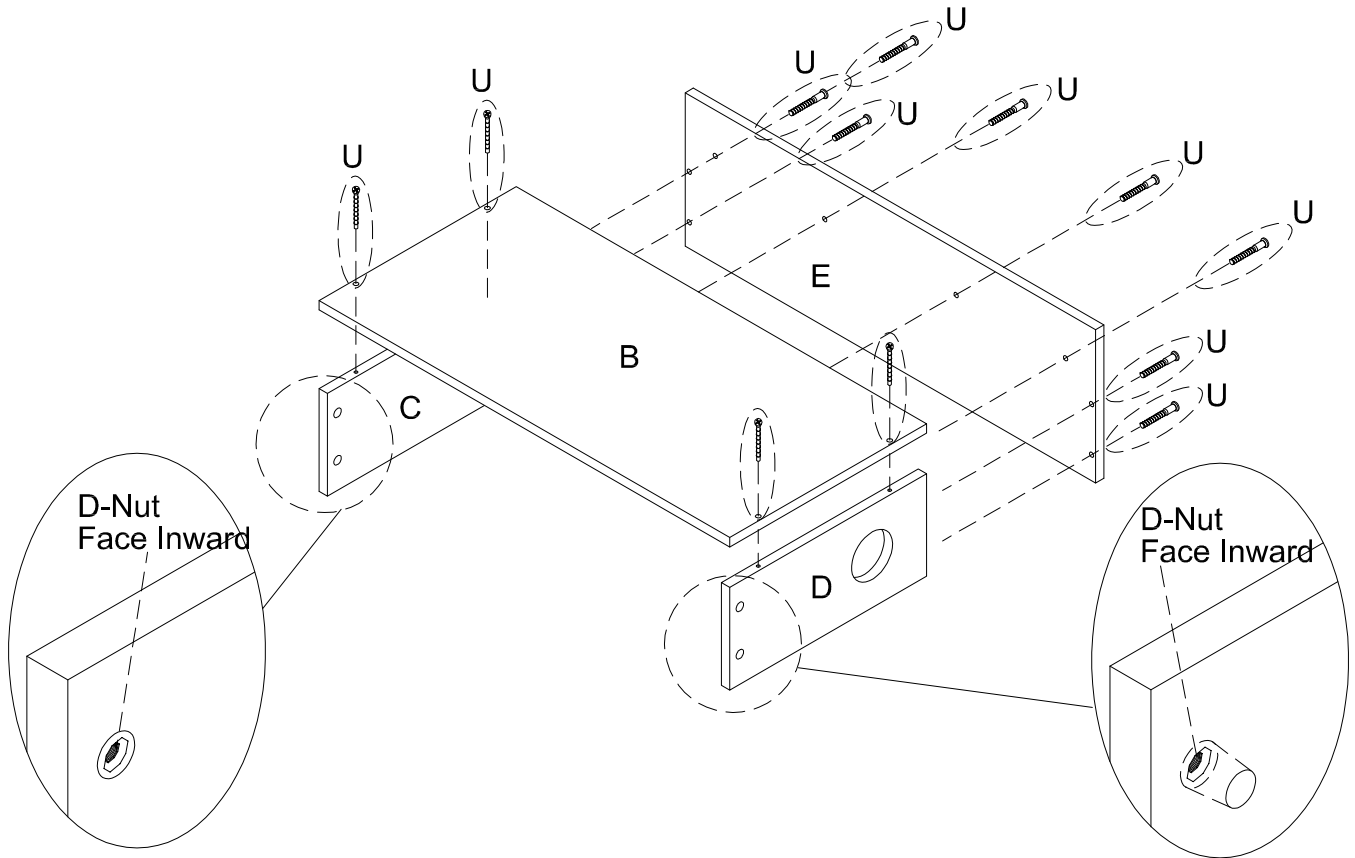
Step 28

- Put the base panel on the bottom cross rail as shown.
- Make sure to place the base panel 'G' & 'H' at the foot end follow the diagram.
- Make sure the base panel with 90 degree angle was placed next to the side rail 'J'.
- Make sure all the power cable place under the base panel and through the cable at side bottom cross rail.



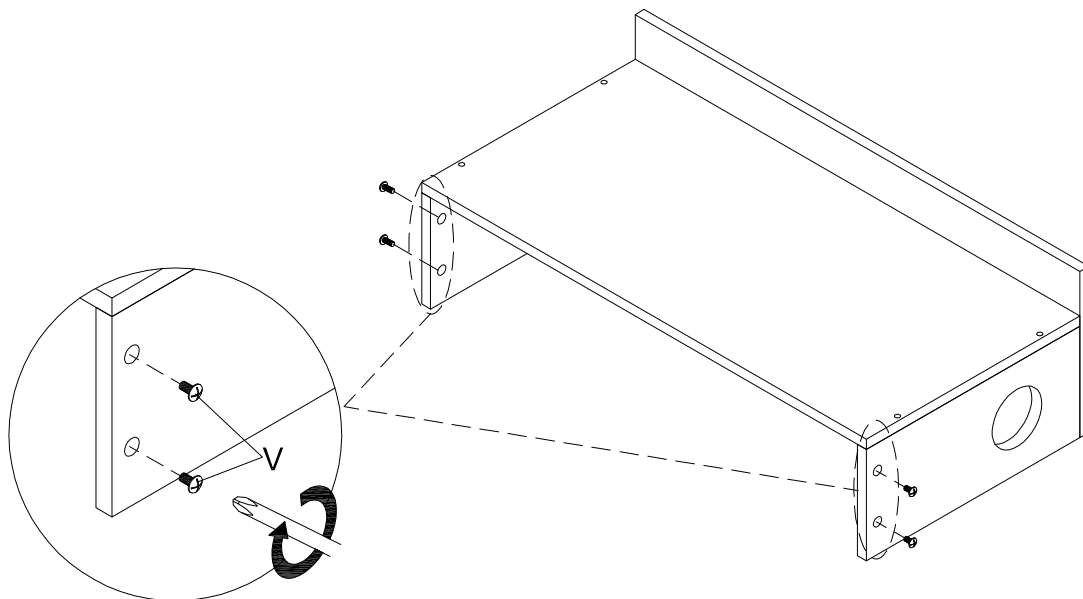
Step 29

- Attach "Media Compartment" side and back panels to "Media Compartment" top panel as shown.



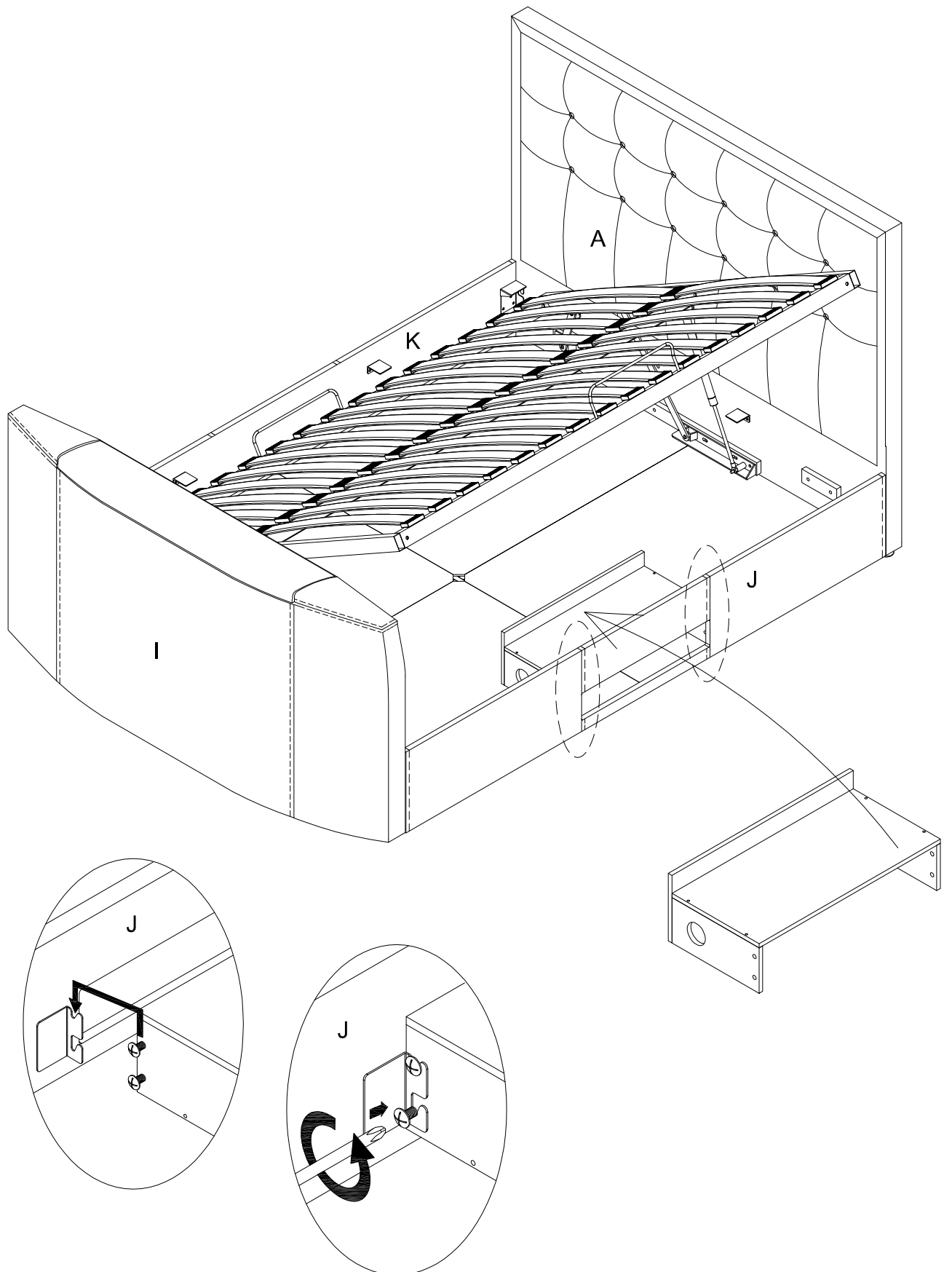
Step 30

- Attach the bolts (V) to the outside of "Media Compartment" side panels as shown.



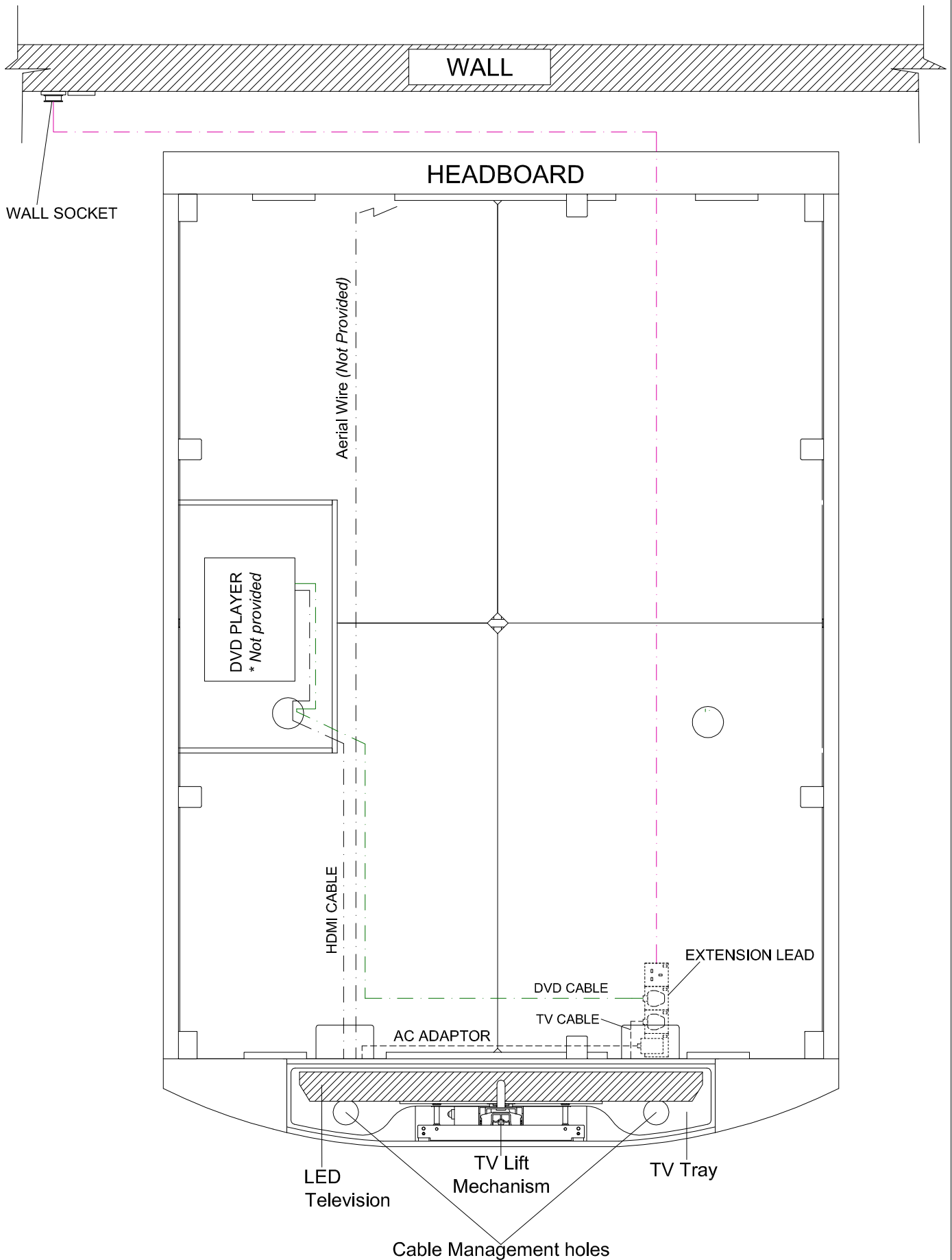
Step 31

- Attach the "Media Compartment" to the side rail and fully tighten bolts (V) as shown.



Step 32

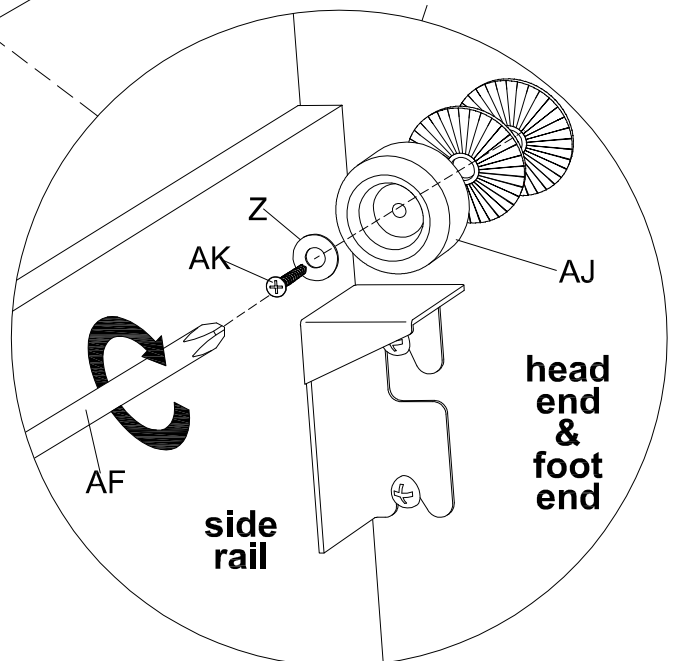
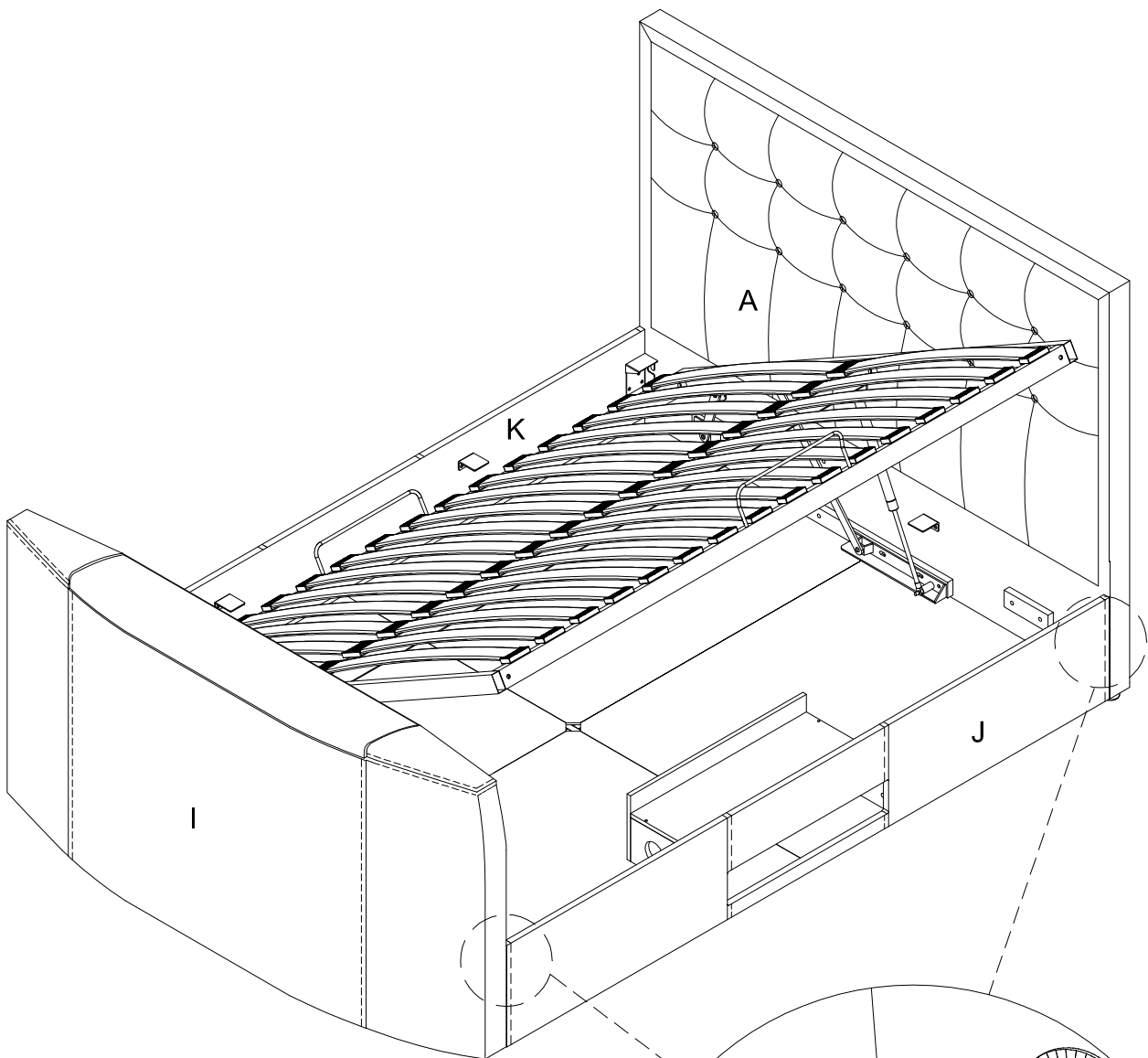
- Detail connection plan.



* The TV cable main supply can put either left or right side depends on the TV port location.

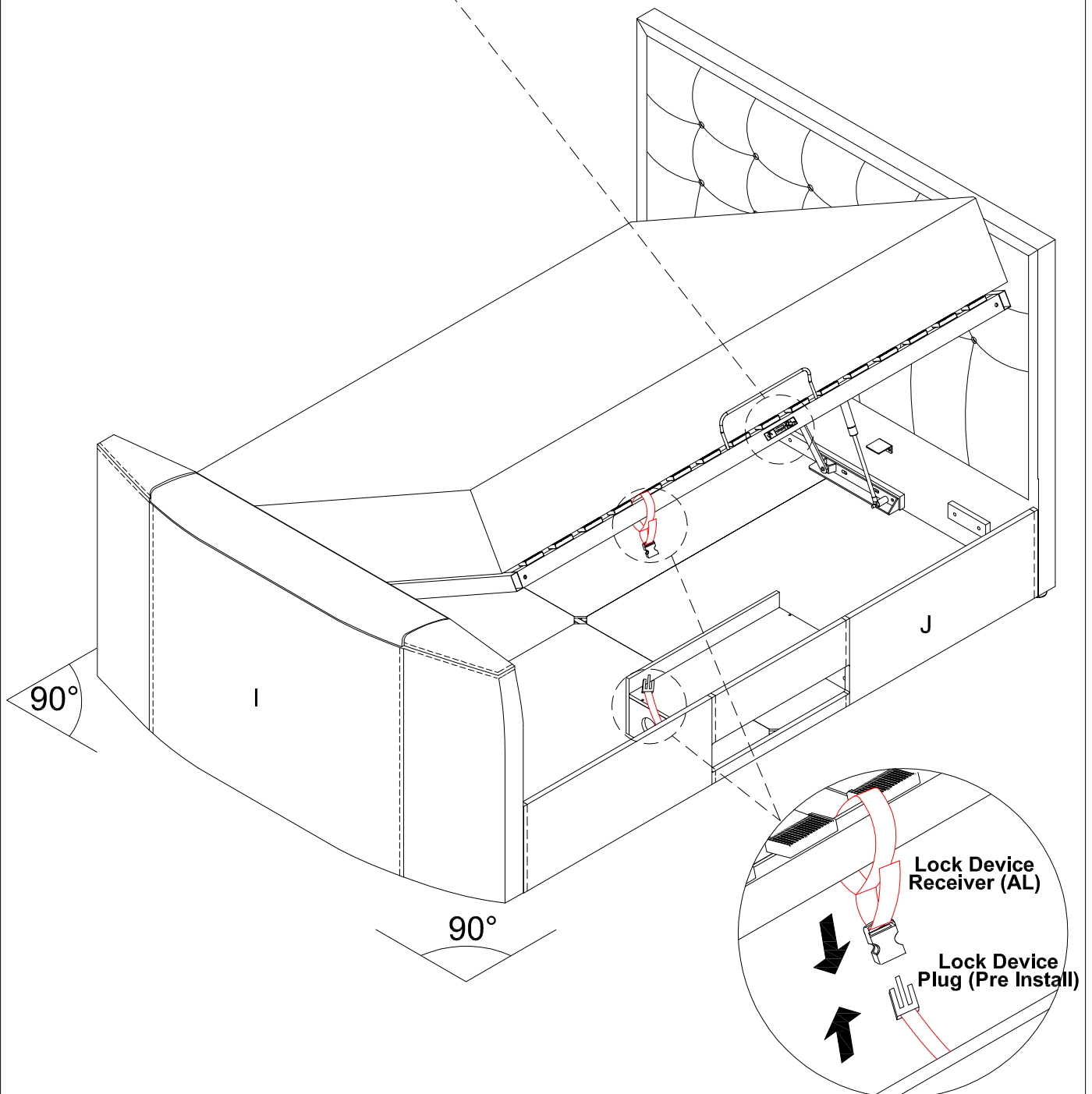
Step 33

- Attach Rubber Block (AJ) at head end & foot end using Rattan Screw (AK) & washer (Z) as shown. Fasten the screw using screw driver (AF).



Step 34

- Make sure the bed corners are always square at 90 degree's before closing the sleeping base.
- Push the mechanism down to lock the Lock Device (Receiver & Plug) as shown.
- Place the mattress on the sleeping base whilst in the raised position to assist lowering the base. Please note the lifting operation should only be attempted with the mattress in place.



Step 35

**ALWAYS USE BOTH HANDLES TO LIFT THE METAL BASE.
ALWAYS USE BOTH HANDS TO LOWER DOWN THE METAL BASE.**

THE MATTRESS MUST BE FITTED TO THE METAL BASE IN ORDER FOR IT TO CLOSE.

DO NOT OPERATE THE LIFT UP MECHANISM WITHOUT THE MATTRESS FITTED TO THE METAL BASE.

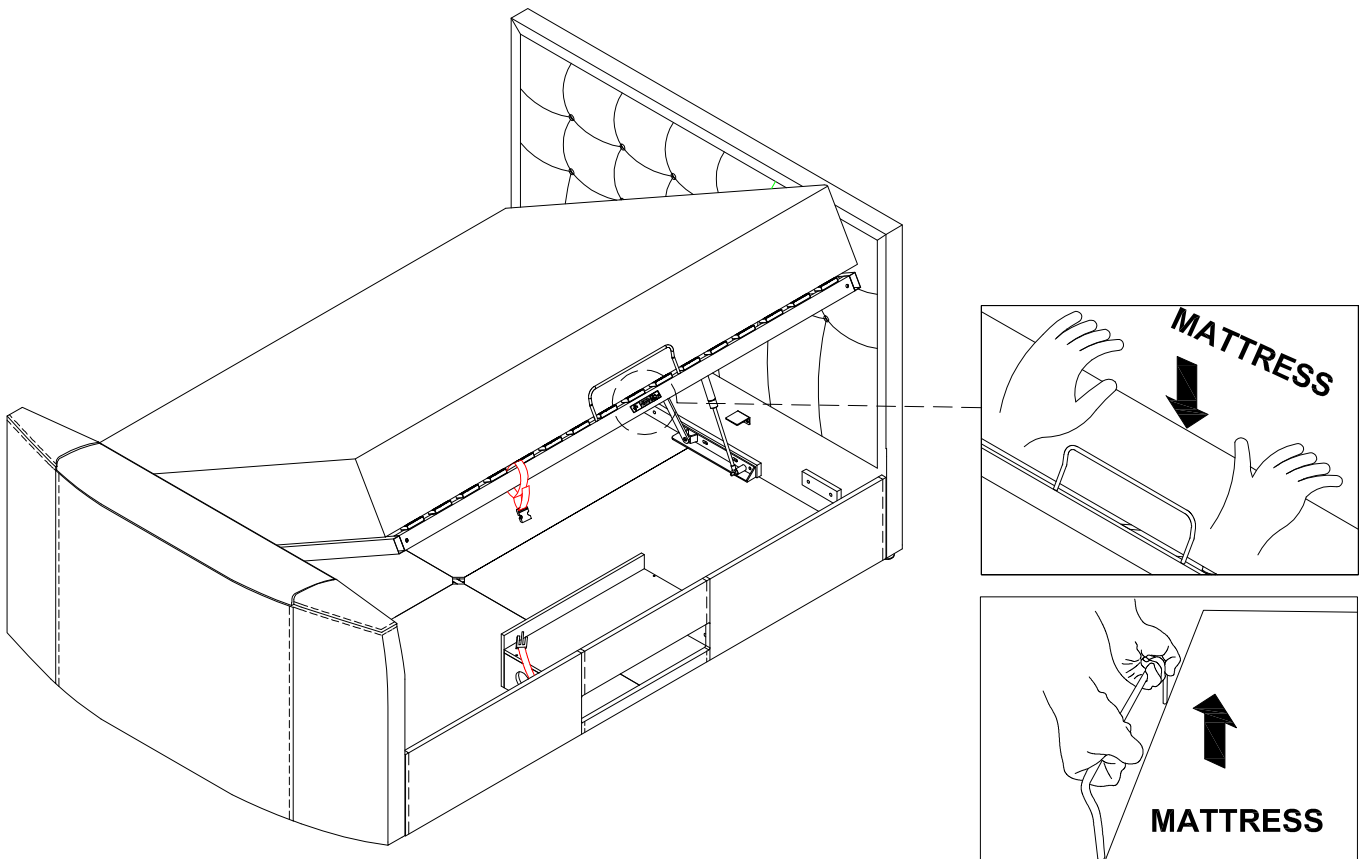
CAUTION : PLEASE BE AWARE, IF THE MATTRESS IS REMOVED THE LIFT UP BASE MAY LIFT UP ON ITS OWN.

“IMPORTANT NOTICE”

- WARNING: PLEASE DO NOT ALLOW CHILDREN OR PETS INSIDE THE STORAGE AREA.
- WARNING: PLEASE BE CAREFUL WHEN LIFTING. ONLY LIFT WITH MATTRESS ON TOP. TO BE OPERATED BY ADULTS ONLY.
- WARNING: PLEASE DO NOT PRESS DOWN ON THE MATTRESS WHEN THE BED FRAME IS IN THE LIFT UP POSITION.
- WARNING: THE BED FRAME TOP MUST BE ONLY CLOSED BY USING BOTH HANDS.

PLEASE READ THE FOLLOWING INSTRUCTIONS.

1. KEEP AWAY FROM DIRECT SUNLIGHT TO AVOID DISCOLORATION.
2. DO NOT DRAG THE BED ACROSS THE FLOOR WHEN POSITIONING OR MOVING WHILST CLEANING.
3. WIPE CLEAN WITH A DAMP CLOTH.
4. TIGHTEN ALL SCREW AT REGULAR INTERVALS, TO AVOID DAMAGE TO THE FRAME.
5. ENJOY YOUR PRODUCT.



TROUBLE SHOOTING

When you encounter problems with installation or use, please refer to the table below to find the possible causes of the problems. Some simple checks or minor adjustments can help to fix the problem and restore normal operation. When the problem cannot be solved, please contact the manufacturer for after-sales service.

FAQ	SOLUTIONS
2.1 Amplifier cannot be turn on	<ol style="list-style-type: none"> 1) Please confirm whether the power indicator of amplifier is on. If the light is not on, please check the power adapter or power cable is plugged in correctly. 2) Check if the problem is solved by replacing the power adapter or amplifier with a new one.
Cannot find Bluetooth device or cannot be paired with Bluetooth device	<ol style="list-style-type: none"> 1) Please make sure that the mobile phone is within 10 meters from the amplifier, and turn off all other mobile phones that have paired with the amplifier, re-search for Bluetooth device "BSSB 2.1S" and re-connect again. 2) Turn off the main AC power for more than 1 minutes and restart.
No sound is heard for Bluetooth mode	<ol style="list-style-type: none"> 1) Check if the audio device is paired successfully with amplifier. 2) Check if the audio device is muted or turn up the volume to try again.
No sound is heard for HDMI mode	<ol style="list-style-type: none"> 1) Check whether the TV has HDMI ARC audio return function. 2) Confirm if the HDMI cable is correctly inserted into the corresponding HDMI ARC port of the TV. 3) Check HDMI setting options on the TV and set the audio decoding format to AUTO or PCM format. 4) Please confirm if the audio source device / TV is turned on and playing normally. Check if the amplifier is muted or the volume is turned down to the lowest level. Please turn up the volume and try again. 5) Turn off the main AC power (Turn off TV and amplifier) for more than 1 minutes and restart all device.
No sound is heard for OPTICAL mode	<ol style="list-style-type: none"> 1) Check whether the Optical cable is properly connected to the TV. 2) Confirm whether the Optical cable is correctly inserted into the corresponding port of the TV. 3) Please confirm whether the volume of the audio source / TV is turned on and playing normally. Check if the amplifier is muted or the volume is turned down to the lowest level. Please turn up the volume and try again.
Remote buttons not responding	<ol style="list-style-type: none"> 1) There may be interference of the same frequency, please use the remote with close distance to the amplifier. 2) The battery of the remote is low, please use the remote with close distance to the amplifier or replace the battery of the remote. 3) Refer to the remote control synchronized setting to re-synchronize and try again.
TV Lift does not operate	<ol style="list-style-type: none"> 1) Check the connection Amplifier controller to the TV lift extension cable. 2) Check the connection TV lift extension cable to the TV mechanism cable. 3) Turn off the main AC power for more than 1 minutes and restart.

AUDIO SPECIFICATION

2.1 Speaker Channel

2 x Rectangular Speaker

1 x 4-inch Round Woofer

Total Sound Output

Footboard integrated, Front Facing 1 x LHS Speaker: 10W

Footboard integrated, Front Facing 1 x RHS Speaker: 10W

Footboard integrated, Built In 1 x Woofer Speaker 25W

Footboard Controller “Self-Install” - 2.1 Channel Amplifier Controller box

Input Power AC	: 100-240v AC = 50/60Hz, 1.6A
Output Power DC	: 24V ~ 2.1A
Rating Power	: 50.4W
Music Power	: 45W
Bluetooth BT	: 4.0 Version (BSSB 2.1S)
HDMI In/Out	: Arc (2.0 Version)
Sound Decoder	: PCM
Optional Input	: Optical
Remote Frequency	: RF433 MHz
Battery Size	: AAA- 1.5V x 2 pieces
Power Consumption	: <0.5W
Energy Power saving	: Auto Switch to Low power consumption state (Without any signal and connection received)

Footboard Integrated - Linear Actuator TV Lift Mechanism System

RF433 Radio Frequency Plastic Remote control UP/STOP/DOWN Function by One-time press)

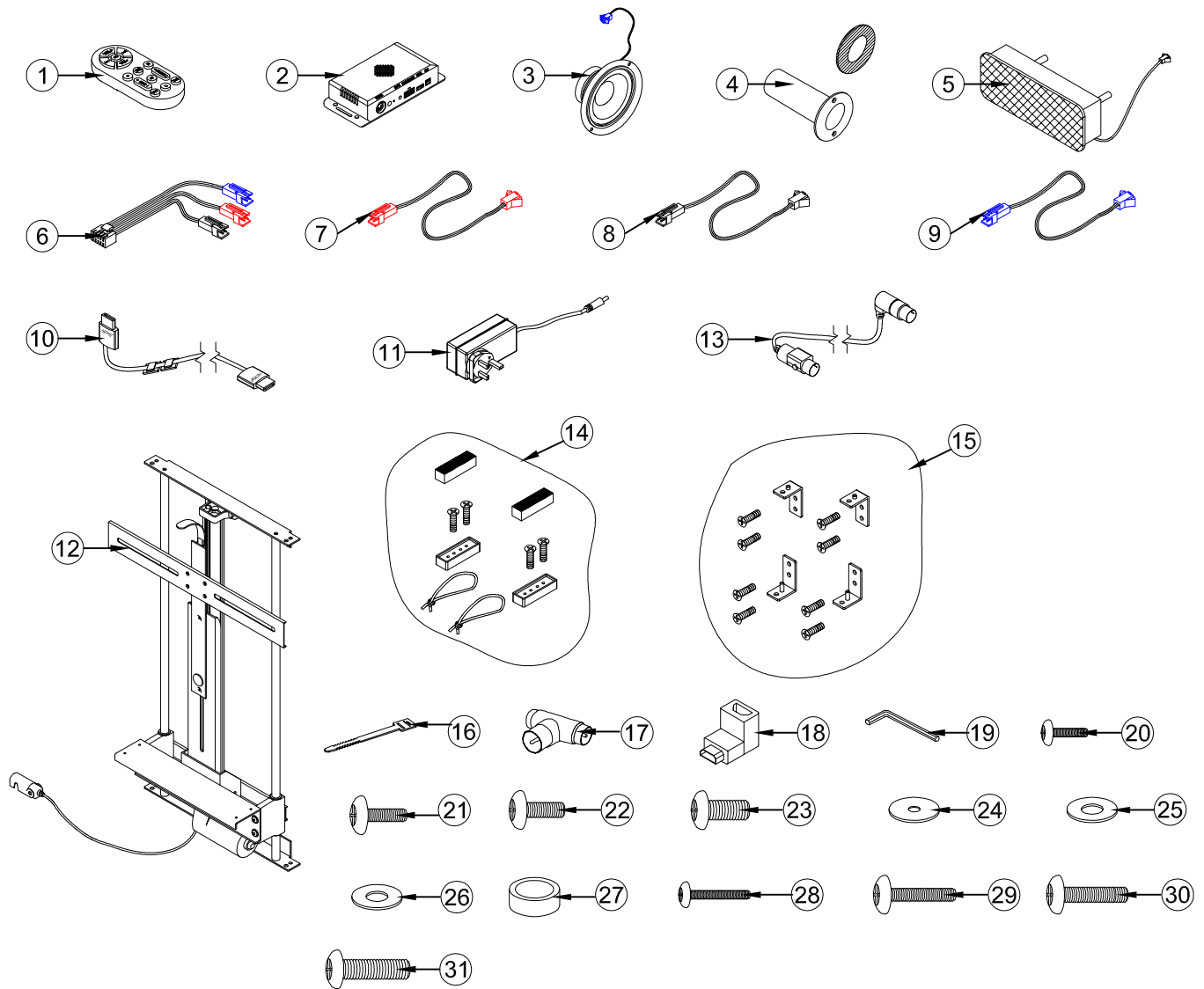
Input Power : 100 - 240V, 50/60Hz, 1.500mA

Output Power : DC 29V - 2.0A

Maximum load : 30Kg

Max Duty Cycle : Max 10% Max 2 min/18min

G5 TV LIFT MECHANISM- OPTI-SERVE SPARE PARTS LIST



ITEM NO.	PART DESCRIPTION	IV CODES
1	MMG3.2.1 Audio Plastic Button Remote Control RF433-ODIN	IV000082
2	MMG3.2.1 Amplifier Controller (HDMI)-ODIN	IV000083
3	MMG3.2.1 Audio 4 Inch 4ohm ~ 20 Watt woofer - Blue Connected-ODIN	IV000084
4	MMG3.2.1 Audio 4 Inch 4ohm ~ 20 Watt woofer - Woofer Tube-ODIN	IV000042
5	MMG3.2.1 Audio Rectangular Slim Left Right Speaker-10W-ODIN	IV000085
6	MMG3.2.1 Speaker - woofer cable-ODIN	IV000086
7	MMG3.2.1 Audio - Left Rectangular Slim Speaker 10W - Red Connected-ODIN	IV000087
8	MMG3.2.1 Audio - Right Rectangular Slim Speaker 10W - White Connected-ODIN	IV000088
9	MMG3.2.1 Audio - woofer 20W extension cable - Blue Connected-ODIN	IV000095
10	MMG3.2.1 Audio HDMI 2 meter cable with cable clip x 2pcs-ODIN	IV000089
11	MMG3.2.1 AC/DC Power Adapter 24V-2.1A UK-ODIN	IV000090
12	TVG5-TV lift up mechanism-ODIN	IV000091
13	TVG5-TV lift Extension cable-ODIN	IV000096
14	TV block (2pcs), screw M4 x 35mm (4pcs), block rubber cover (2pcs), cable management bungee cable (2pcs) (pre-fixed)	IV000093
15	Machine screw M6 x 10mm (2pcs), Top & Bottom hanging bracket (4pcs) + screw (8pcs)	IV000094
16	Cable clip (2pcs)-use to fix wire	
17	Aerial connection (1pc)	
18	90 degree HDMI adaptor (1pc)	
19	Allen key (M4) (1pc)	
20	Pan head screw M4 x 20mm (2pcs)	
21	Pan head screw M5 x 20mm (2pcs)	
22	Pan head screw M6 x 20mm (2pcs)	
23	Pan head screw M8 x 20mm (2pcs)	
24	M5 washer (2pcs)	
25	M6 washer (2pcs)	
26	M8 washer (2pcs)	
27	Plastic collar (6pcs)	
28	Pan head screw M4 x 40mm (2pcs)	
29	Pan head screw M5 x 40mm (2pcs)	
30	Pan head screw M6 x 40mm (2pcs)	
31	Pan head screw M8 x 40mm (2pcs)	

IV000092