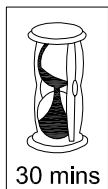


P.O.Number :
Please Keep This Number For
Future Reference
**THIS FORMS PARTS OF
YOUR GUARANTEE!!**

bensons
for beds



**ONE PERSON
ASSEMBLY**



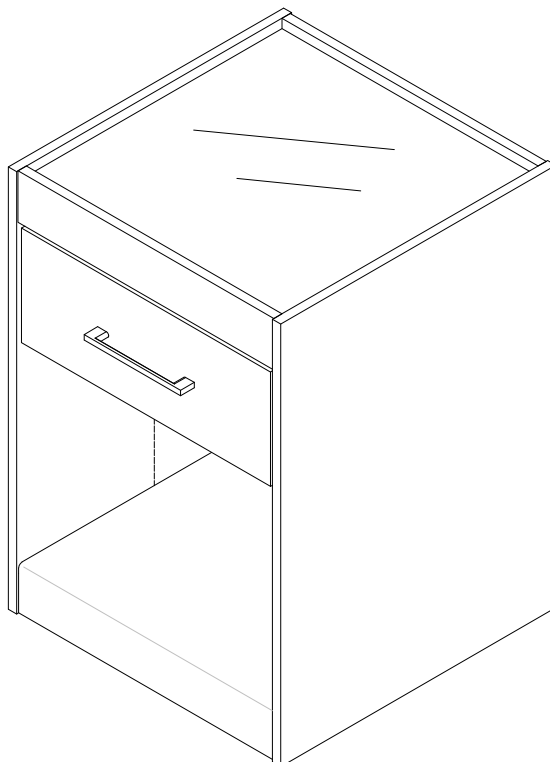
30 mins

**APPROXIMATE TIME OF
ASSEMBLY 30 MINUTES**

TAMARA BEDSIDE CABINET GREY VELVET
STK804207

Assembly Instructions

Please keep these instructions for future reference.



Regrettably self-assembly items cannot be returned once assembly is part or fully completed unless the items are found to be faulty. Should you need to return the unassembled product, please repack in its original packaging.

Important Information

- We suggest you spending a short time reading through this leaflet and then follow the simple step-by-step instructions.
- Carefully check that you have all the parts before beginning assembly.
- Keep fittings out of children's reach and keep children well away from construction area.
- We suggest you retaining these instructions for future reference.

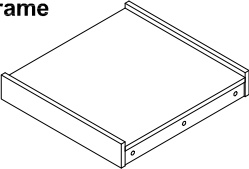
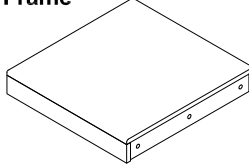
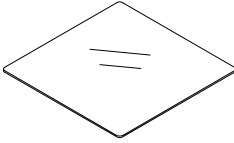
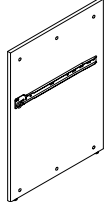
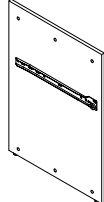
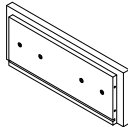
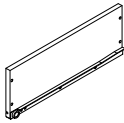
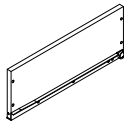
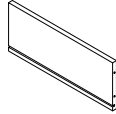
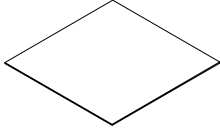
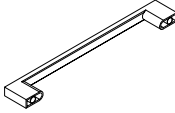

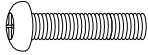
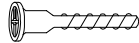



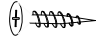
Product Information

- KD Bedside.
- Upholstered Bedside Table Using Fabric.
- Conforms to BS 5852. Tempered glass conforms to BS EN12150.

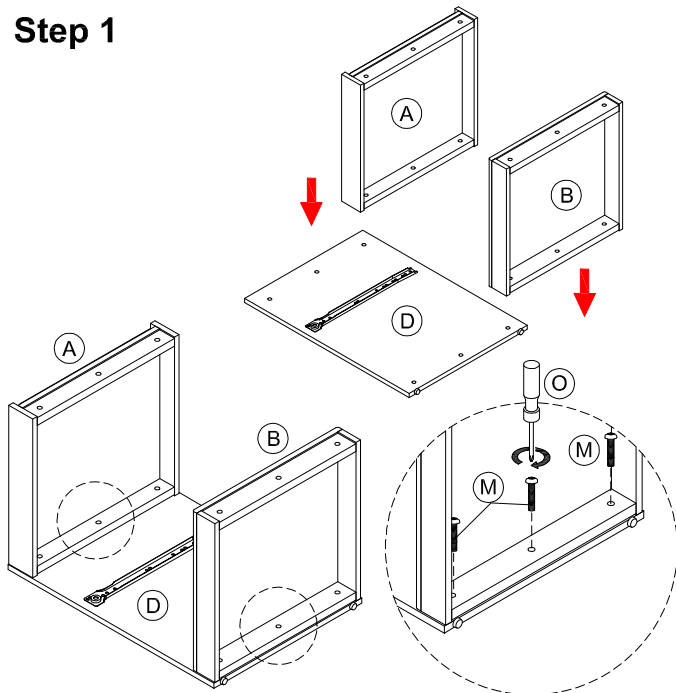
Care Instructions

- Avoid exposing the furniture to excessive heat or direct sunlight as this can cause cracking and deterioration of the color.
- Periodically check & re-tighten any fastener.
- Periodically dust lightly with a clean soft cloth.
- Any spills should be removed immediately with a damp cloth.
- **TAKE CARE WHEN MOVING THE FURNITURE AND NEVER DRAG THE PIECES ACROSS THE FLOOR, AS THIS WILL CAUSE DAMAGE TO THE JOINTS.**

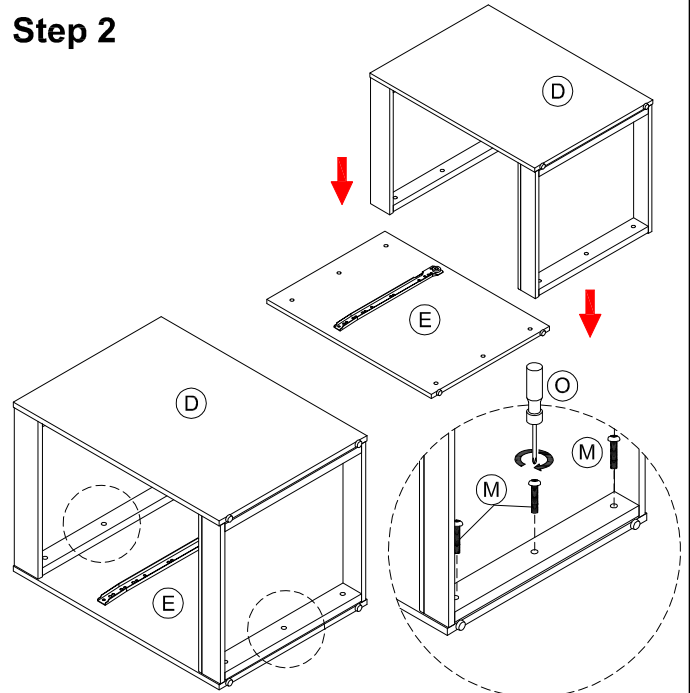
Component

<p>(A) Top Frame</p> 	<p>(B) Shelf Frame</p> 	<p>(C) Clear Glass</p> 
<p>(D) Side Panel Left</p> 	<p>(E) Side Panel Right</p> 	<p>(F) Drawer Front</p> 
<p>(G) Drawer Side Panel Left</p> 	<p>(H) Drawer Side Panel Right</p> 	<p>(I) Drawer Back Panel</p> 
<p>(J) Drawer Base Panel</p> 	<p>(K) Handle</p> 	<p>(L) Handle Bolts (x 2)</p> 
<p>(M) Bolts (x 12)</p> 	<p>(N) KD Screws (x 8)</p> 	<p>(O) Screw Driver</p> 
<p>(P) Safety Strap (x 1)</p> 	<p>(Q) M6 x 16MM (x 2)</p> 	<p>(R) #8 x 3/4" (Screw) (x 1)</p> 

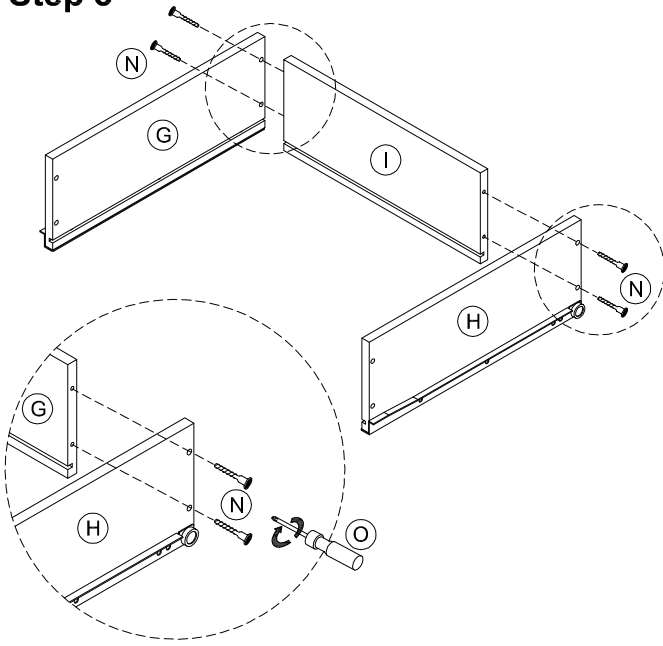
Step 1



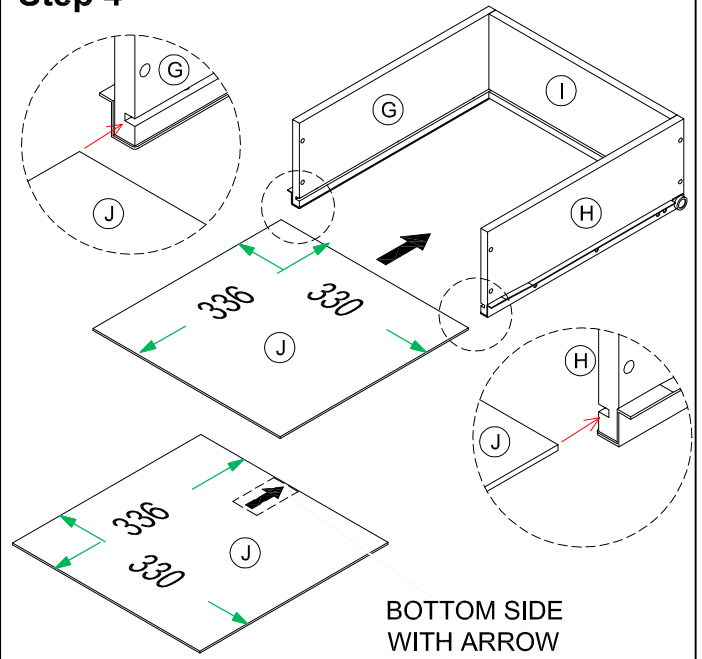
Step 2



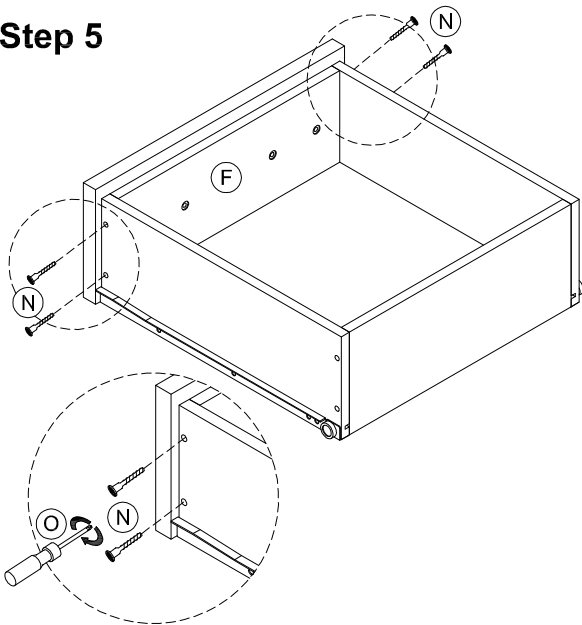
Step 3



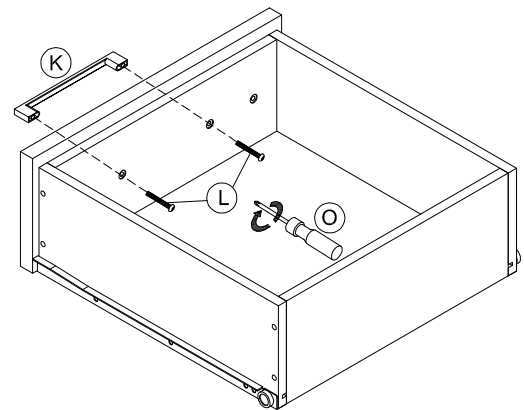
Step 4



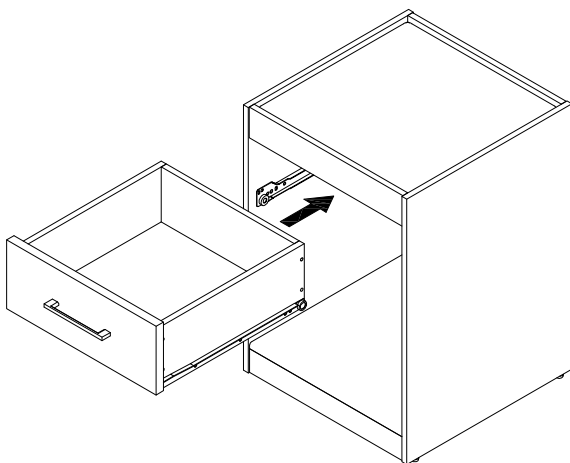
Step 5



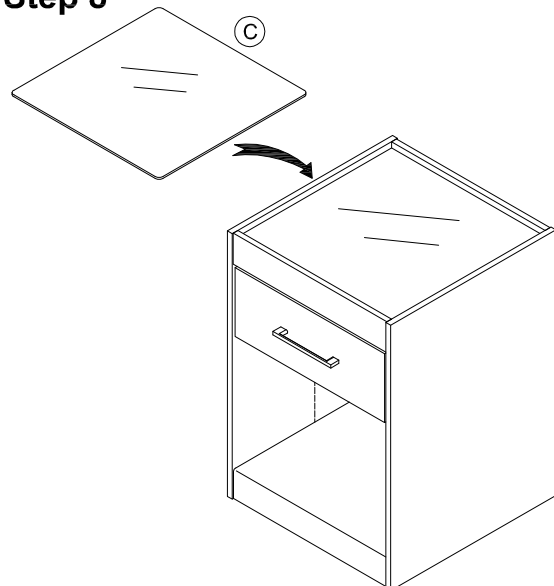
Step 6



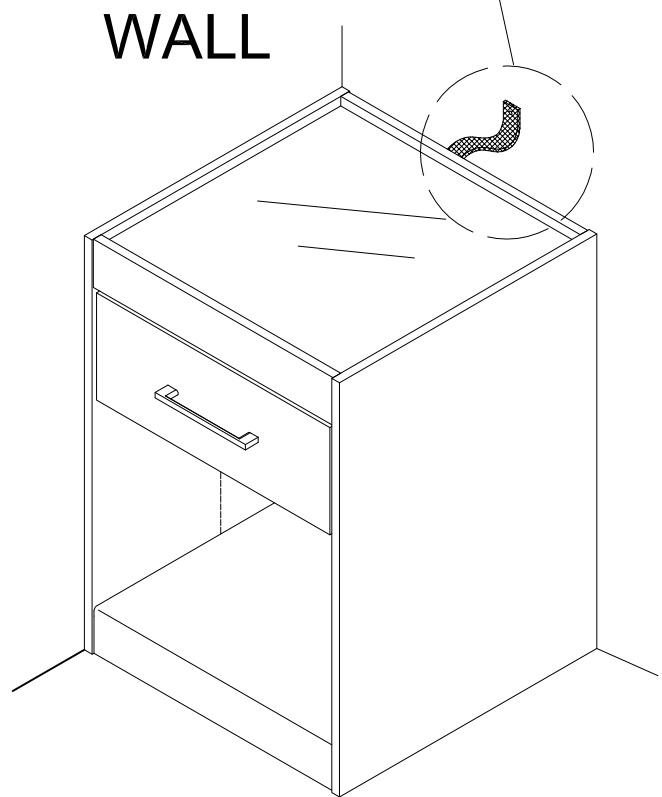
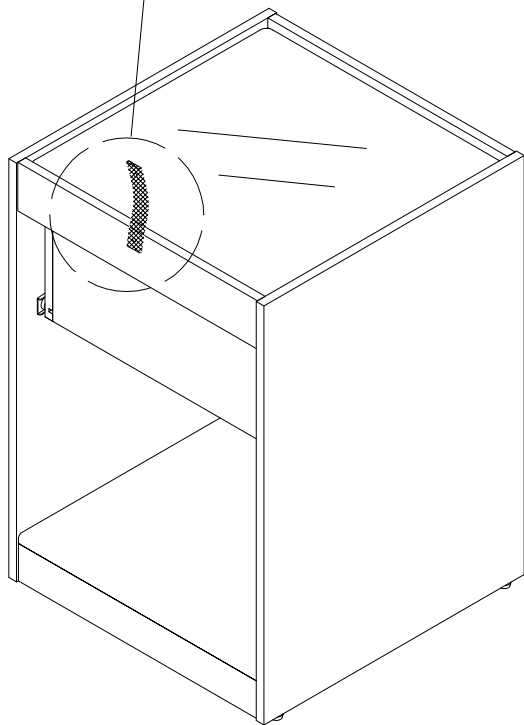
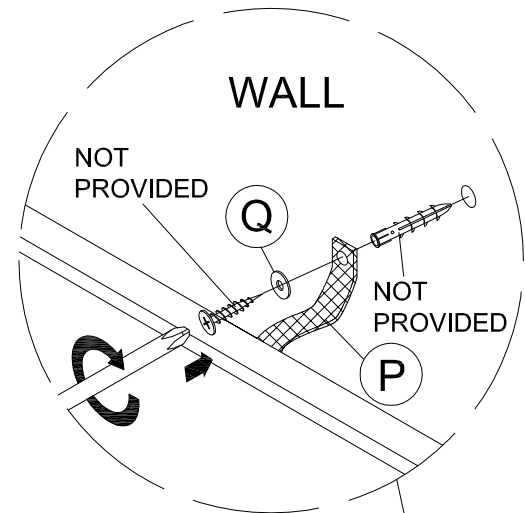
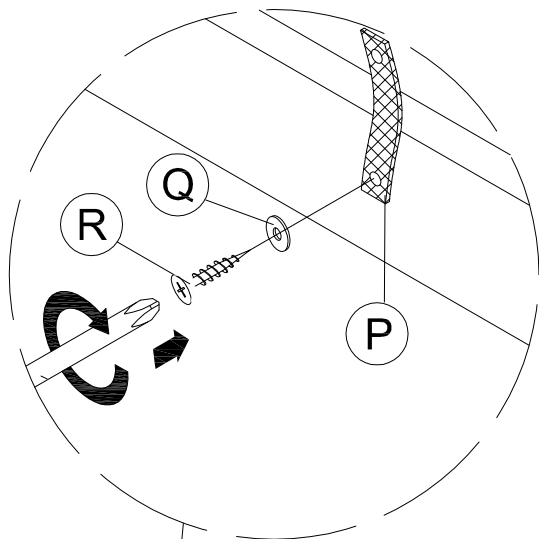
Step 7



Step 8



Step 9



WARNING:

To prevent your furniture from tilting forward and possibly causing property damage or personal injury it is recommended that you **Securely attach the safety strap provided to your wall using appropriate fixings**

IMPORTANT:

- **DO NOT** place toys or other child appealing items on top of this furniture
- **AVOID** fully opening all drawers at the same time
- **DO NOT ALLOW** Small children to climb onto Drawers, shelves or to swing from open doors

CAUTION:

For your safety when attaching the anti-tilt fixings;

- Check for any electrical wires or plumbing inside the wall before drilling any holes (if you are unsure please seek professional advice from a qualified tradesman)
- Walls are constructed from different materials eg: Masonry (solid brick) or plaster board lined cavity walls (hollow).

It is important that you use the appropriate wall fixings for your wall type.

(Your local hardware store will have the necessary drills and fixings and can offer advice if needed)



Product name: 2 DRAWER TAMARA BEDSIDE CABINET

Date of manufacture: Refer to label on base of this product.

This product contains glass with a nominal thickness of 4mm that is required to comply with BSEN 12150-1:2015.

Important: If a glass component is chipped or broken consult our customer services department or nearest store with regards to obtaining a manufacturing specification and shape for replacement glass quoting the product number and date of manufacture.

Please do not position this product next to or above a direct heat source.

Clean the glass using a damp cloth, glass cleaning product or mild washing up liquid, ensure to dry the product fully. Do not use any abrasive cleaners or washing powders as this may damage the surface.