

Minimum Two  
Persons Assembly

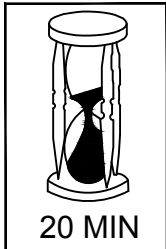


## 1 DRAWER TATUM BEDSIDE TABLE

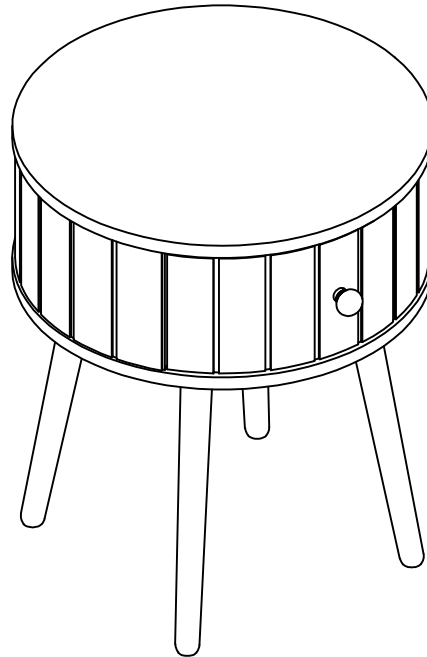
STK778301

Assembly Instructions

Please keep these instructions for future reference.



Approximate  
Assembly Time



Regrettably self-assembly items cannot be returned once assembly is part or fully completed unless the items are found to be faulty. Should you need to return the unassembled product, please repack in its original packaging.

### **Important information**

- We suggest you spend a short time reading through this leaflet and then follow the simple step-by-step instructions.
- Carefully check that you have all the parts before beginning assembly.
- Keep fittings out of children's reach and keep children well away from construction area.
- We suggest you retain these instructions for future reference.
- In the unusual event of an issue with your product would you please quote the batch I.D. number situated on the main parts of the frame.

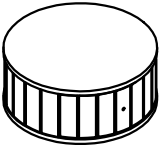





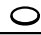

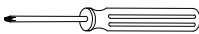
### **Product information**

- Product finished in Black colour.
- 1 drawer bedside table.

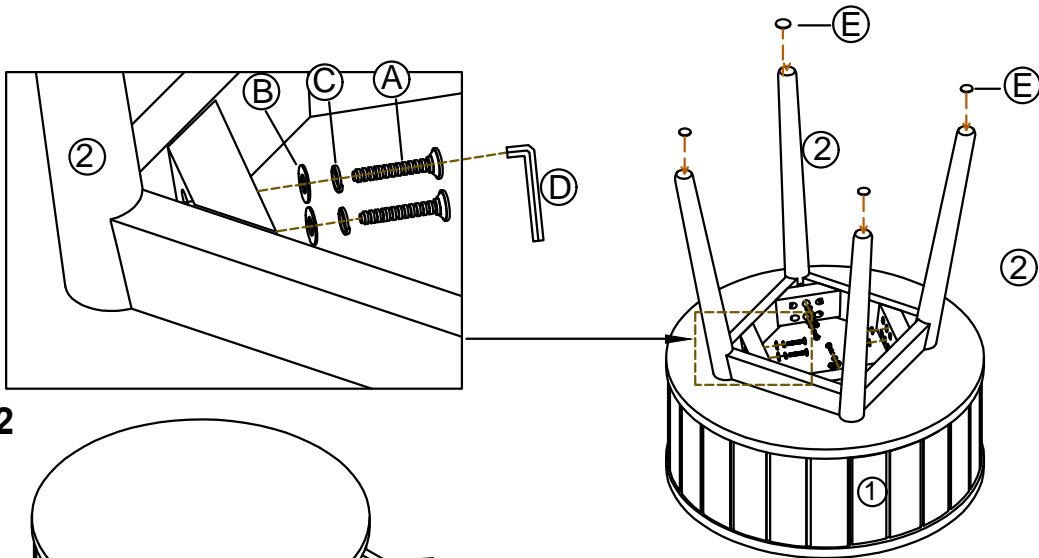
### **Care instructions**

- Avoid exposing the furniture to excessive heat or direct sunlight as this can cause cracking and deterioration of the color.
- Periodically check & re-tighten any fastener.
- Periodically dust lightly with a clean soft cloth.
- Do not use silicone based furniture polish.
- Any spills should be removed immediately with a damp cloth.
- TAKE CARE WHEN MOVING THE FURNITURE AND NEVER DRAG THE PIECES ACROSS THE FLOOR, AS THIS WILL CAUSE DAMAGE TO THE JOINTS

# 1-drawer bedside table

Component of Carton		Hardware List	
(1) Top Frame×1 	(2) Leg×4 	(A) M6×60 Bolt ×8 	(B) Ø6 Washer ×8 
		(C) Ø6 Spring Washer ×8 	(D) 4MM Allen key ×1 
		(E) Pad ×4 	
Tools Required (Not Supplied)			
 			

## Step 1



## Step 2

