

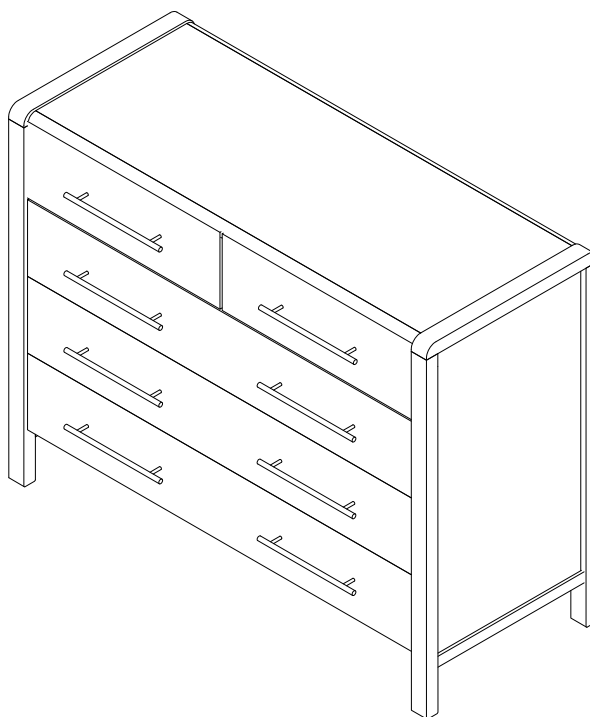
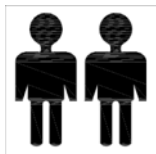
P. O Number:
Please Keep This Number For
Future Reference
THIS FORMS PARTS OF
YOUR GUARANTEE !!!



HIP HOP 3+2 drawer Chest

Assembly instructions

Please keep these instructions for future reference



Regrettably self-assembly items cannot be returned once assembly is part or fully completed unless the items are found to be faulty. Should you need to return the unassembled product, please repack in its original packaging.

Important information

- We suggest you spend a short time reading through this leaflet and then follow the simple step-by-step instructions.
- Carefully check that you have all the parts before beginning assembly.
- Keep fittings out of children's reach and keep children well away from construction area.
- We suggest you retain these instructions for future reference.

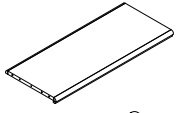
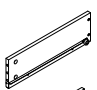
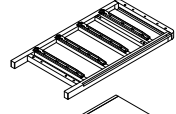
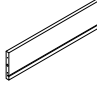
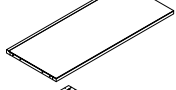

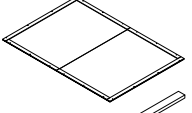
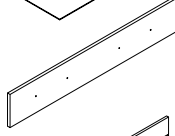
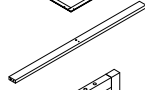
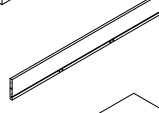
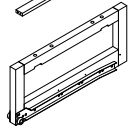
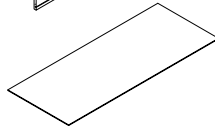
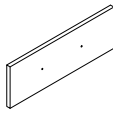
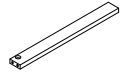
Product information

- Product in ash in natural finish.
- 3+2 drawer chest.
- K/D construction.





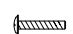


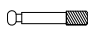




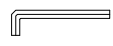
Care instructions

- Avoid exposing the furniture to excessive heat or direct sunlight as this can cause cracking and deterioration of the color.
- Periodically check & re-tighten any fastener.
- Periodically dust lightly with a clean soft cloth.
- Do not use silicone based furniture polish.
- Any spills should be removed immediately with a damp cloth.
- TAKE CARE WHEN MOVING THE FURNITURE AND NEVER DRAG THE PIECES ACROSS THE FLOOR, AS THIS WILL CAUSE DAMAGE TO THE JOINTS

Component of Carton A

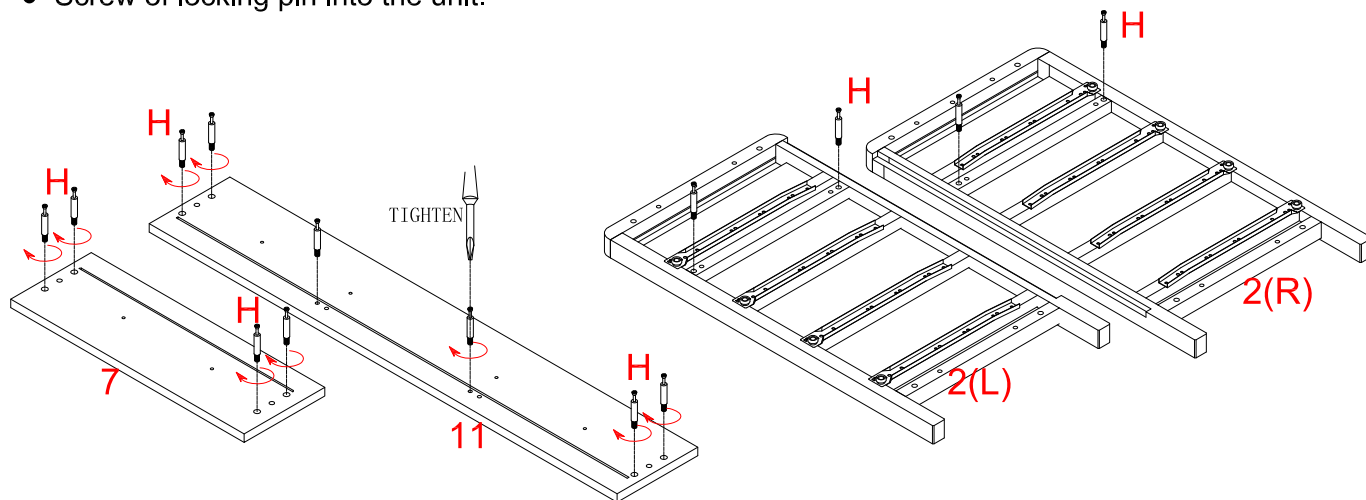
(1) Top panel ×1		(8) Drawer side Panel ×10(5L&5R)	
(2) Side panel (R&L)×2		(9) Small drawer back Panel ×2	
(3) Bottom panel×1		(10) Small drawer bottom panel×2	
(4) Back panel×1		(11) Large drawer front panel×3	
(5) Support rail×2		(12) Large drawer back panel×3	
(6) Center support×1		(13) Large drawer bottom panel×3	
(7) Small drawer front panel×2(1R&1L)		(14) Large drawer bottom support×3	

Hardware List

(A) Ø3.5×16 Screw ×20 	(B) Ø8 Dowel ×18 	(C) M6 Bolt ×10 	(D) Connector ×4 
(E) M4 Bolt ×16 	(F) Ø3.5×30 Screw ×26 	(G) Ø6 Dowel ×32 	(H) Locking Pin×30 
(I) Locking Nut ×30 	(J) Ø3.5×40 Screw ×2 	(K) Ø6 Washer ×6 	(L) Handle ×2 
(M) 4MM Wrench ×1 			

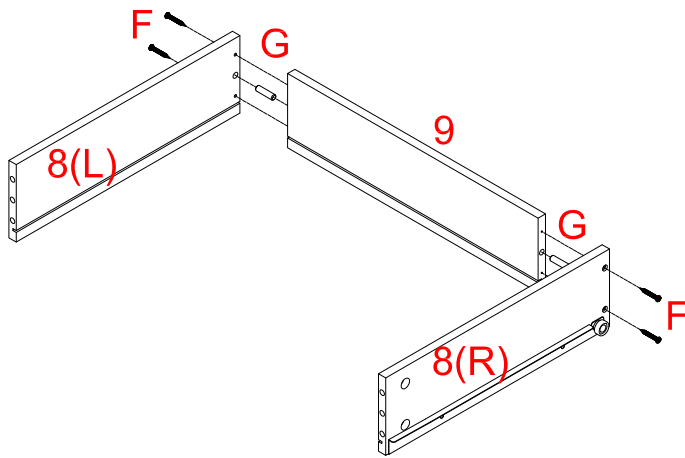
Step 1

- Screw of locking pin into the unit.



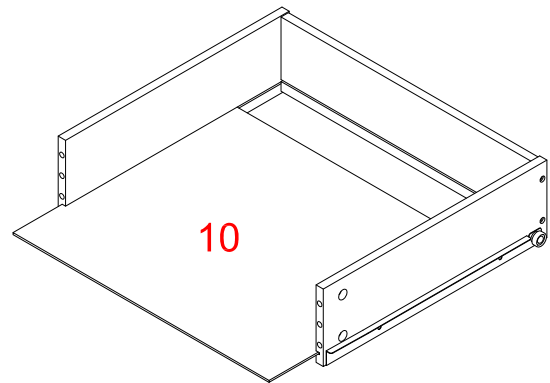
Step 2

- Attachment of side panel onto the back panel.



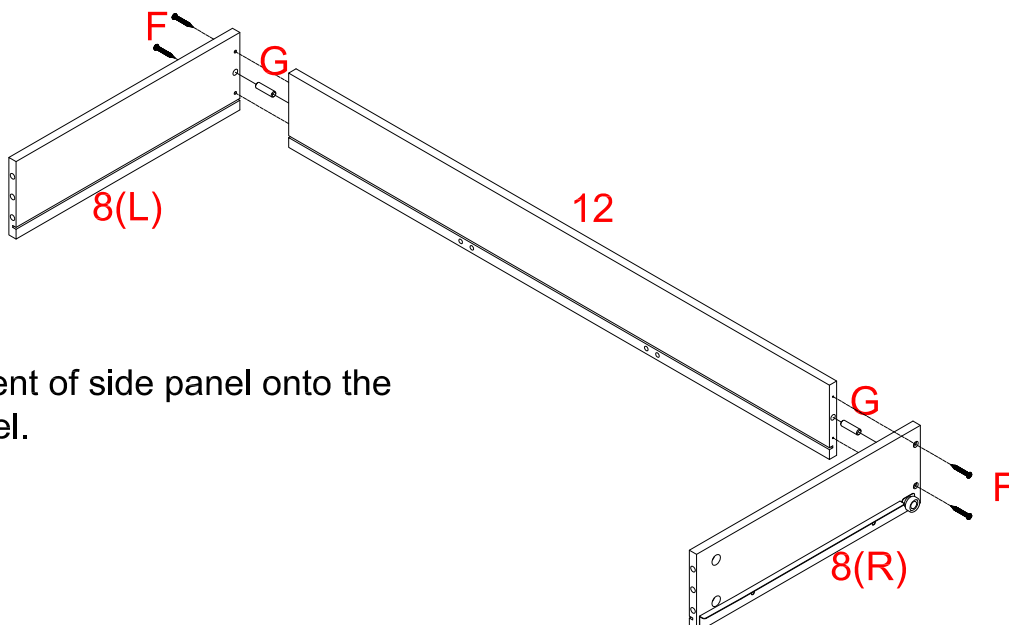
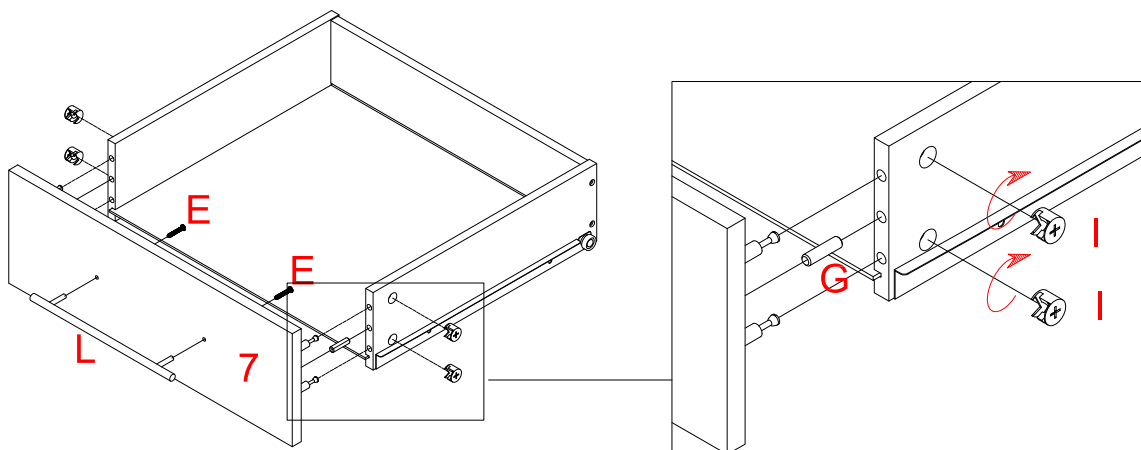
Step 3

- Slide the small drawer bottom panel into the unit.



Step 4

- Assembly of the front panel onto side frame.

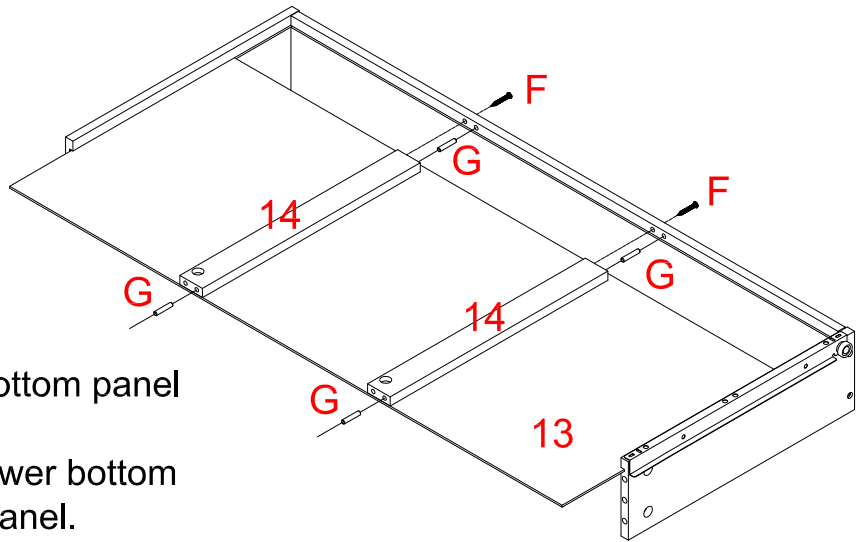


Step 5

- Attachment of side panel onto the back panel.

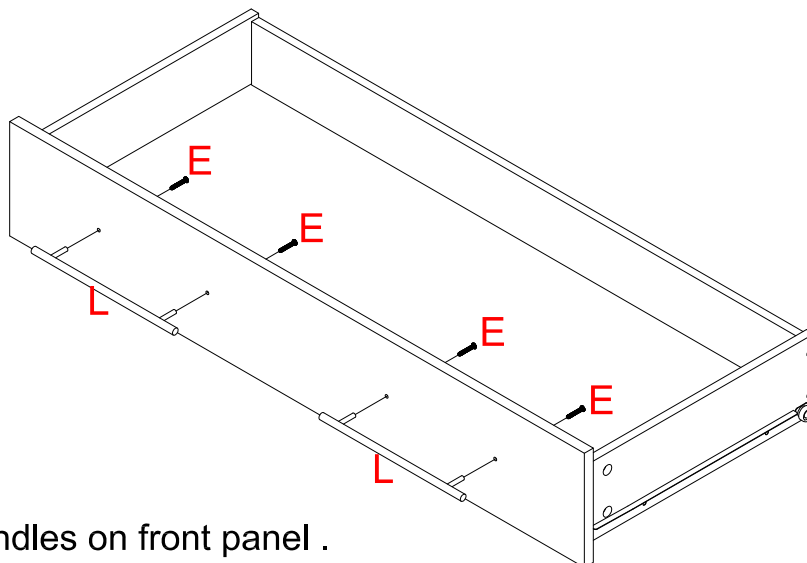
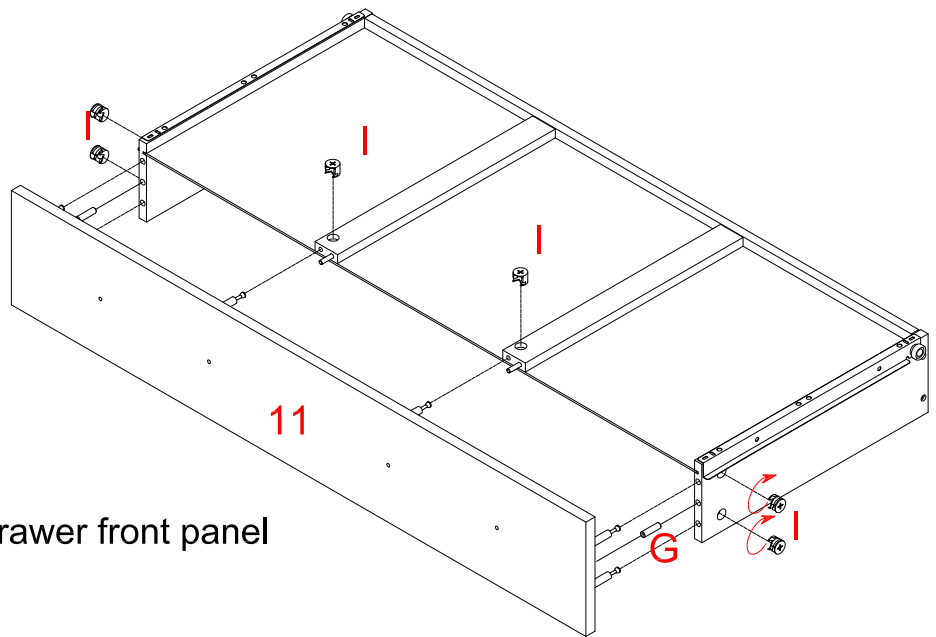
Step 6

- Slide the large drawer bottom panel into the unit.
- Attachment of large drawer bottom support onto the back panel.



Step 7

- Attachment of large drawer front panel onto the unit.

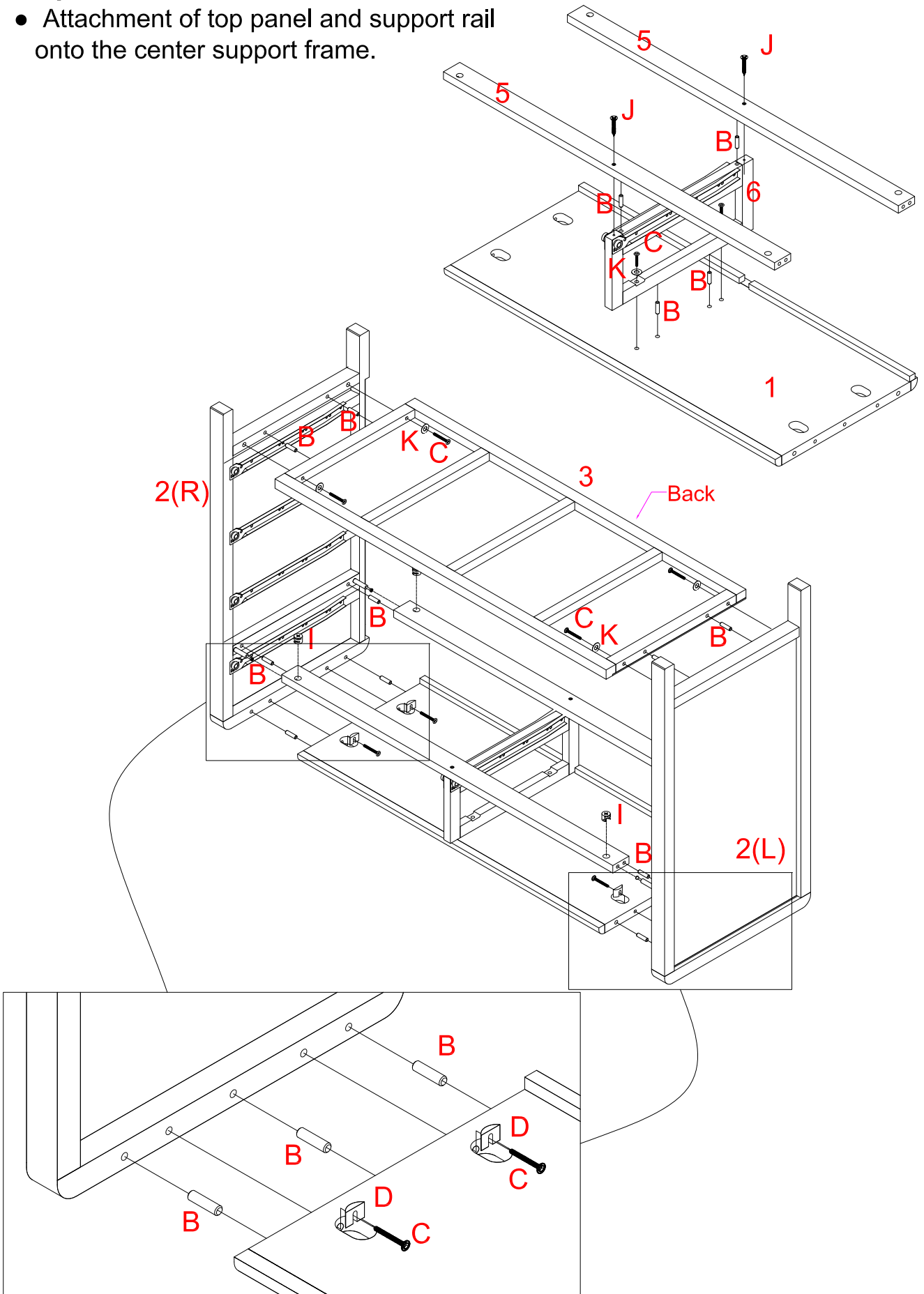


Step 8

- Attachment handles on front panel .

Step 9

- Attachment of top panel and support rail onto the center support frame.

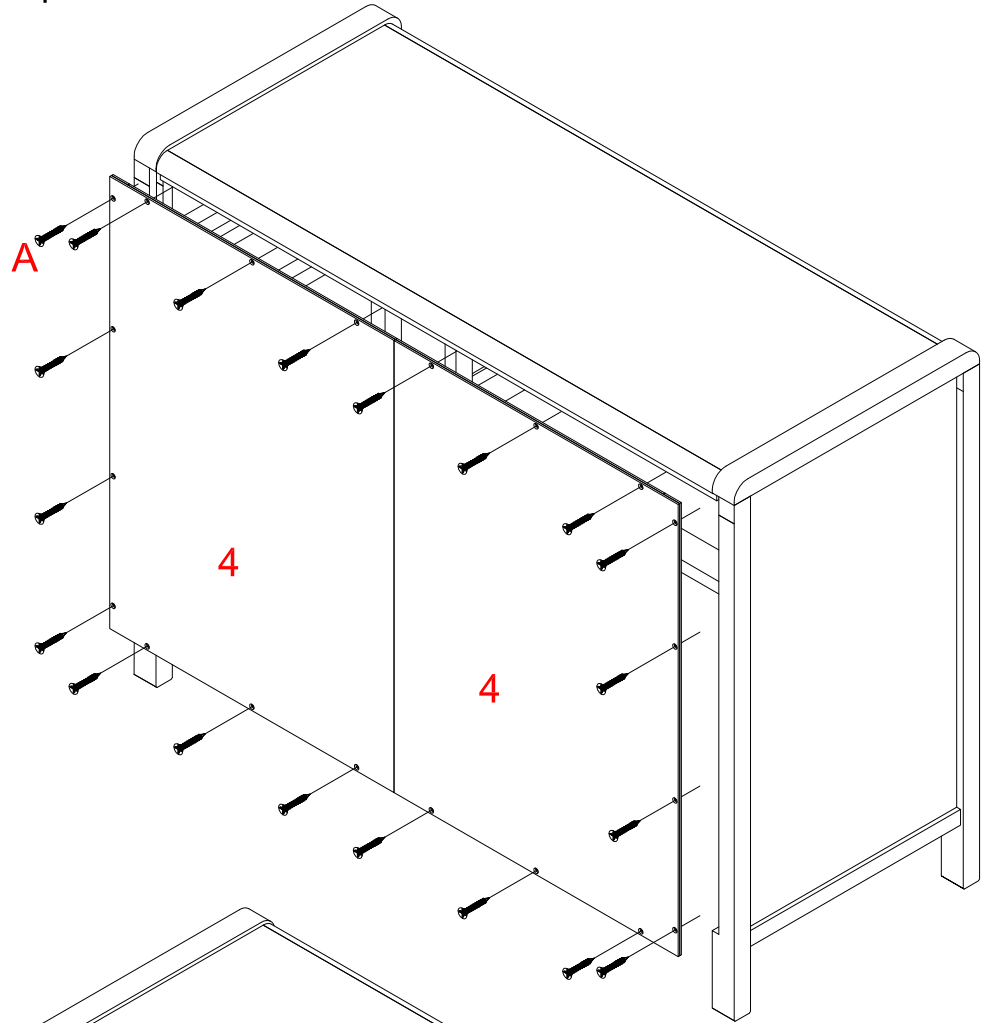


Step 10

- Attachment of side panel onto the unit.

Step 11

- Attachment of back panel onto the unit.



Finished

