

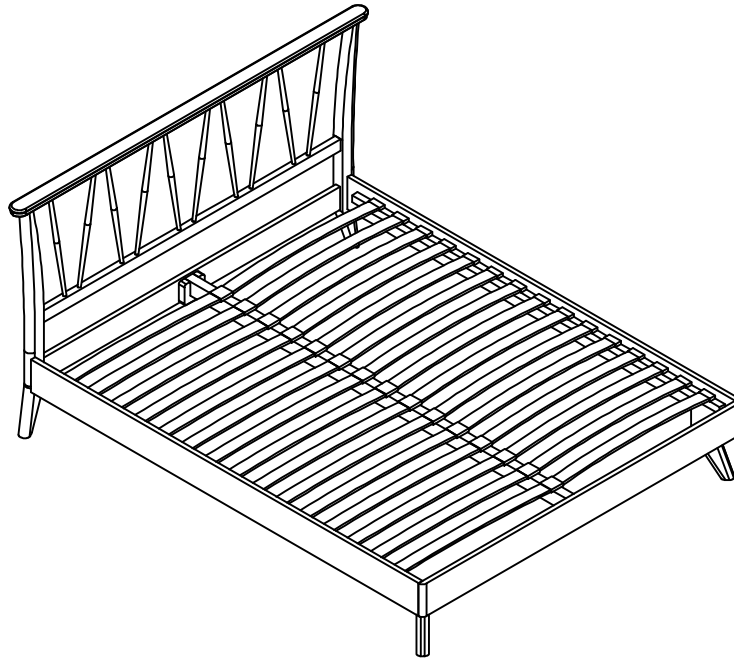
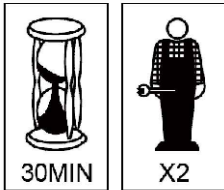
P.O Number :
Please Keep This Number For
Future Reference
THIS FORMS PARTS OF
YOUR GUARANTEE !!!



135cm WESTPORT BED FRAME

Assembly instructions

Please keep these instructions for future reference.



Regrettably self-assembly items cannot be returned once assembly is part or fully completed unless the items are found to be faulty. Should you need to return the unassembled product, please repack in its original packaging.

Important information

- We suggest you spend a short time reading through this leaflet and then follow the simple step-by-step instructions.
- Carefully check that you have all the parts before beginning assembly.
- Keep fittings out of children's reach and keep children well away from construction area.
- We suggest you retain these instructions for future reference.

Product information

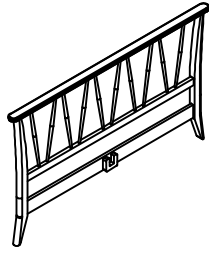
- This product finished in washed Oak.
- Posture slats are made of bent plywood.
- This bed conforms to BS EN 1725.

Care instructions

- Avoid exposing the furniture to excessive heat or direct sunlight as this can cause cracking and deterioration of the color.
- Periodically check & re-tighten any fastener .
- Periodically dust lightly with a clean soft cloth.
- Do not use silicone based furniture polish.
- Any spills should be removed immediately with a damp cloth.
- TAKE CARE WHEN MOVING THE FURNITURE AND NEVER DRAG THE PIECES ACROSS THE FLOOR,AS THIS WILL CAUSE DAMAGE TO THE JOINTS.

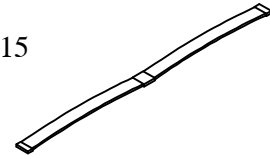
Components of Carton A

① Headboard x 1



Components of Carton C

⑧ Posture slat x 15

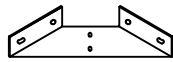


Components of Carton B

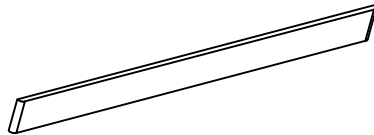
② Leg x 2



③ Metal Corner Bracket x 2



④ Food end x 1



⑤ Side Rail x 2



⑥ Support Leg x 2

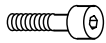


⑦ Center Rail x 1



Hardware List

Ⓐ 10 mm Bolt x 8



Ⓑ 15 mm Bolt x 12



Ⓒ Washer x 12



Ⓓ 80 mm Bolt x 2



Ⓔ Allen Key Ø5 x 2

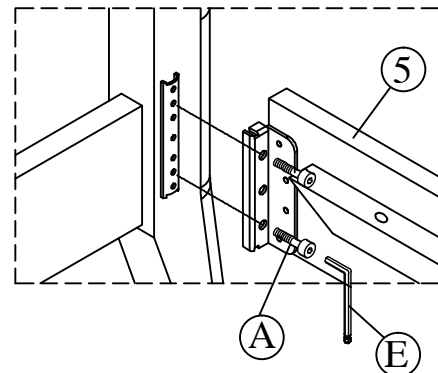
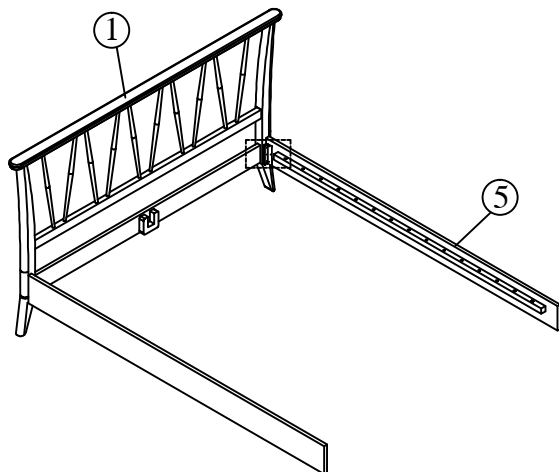


Ⓕ Allen Key Ø4 x 1



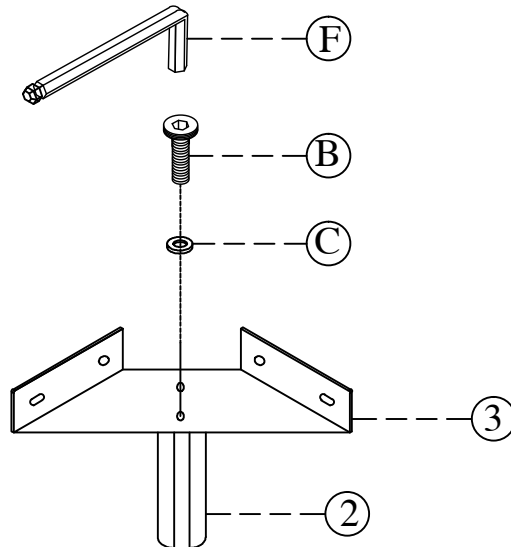
Step 1

- Position the headboard ① to the end of the side rail ⑤. Fit them together, using 10mm bolt Ⓐ and allen key Ⓔ as shown.



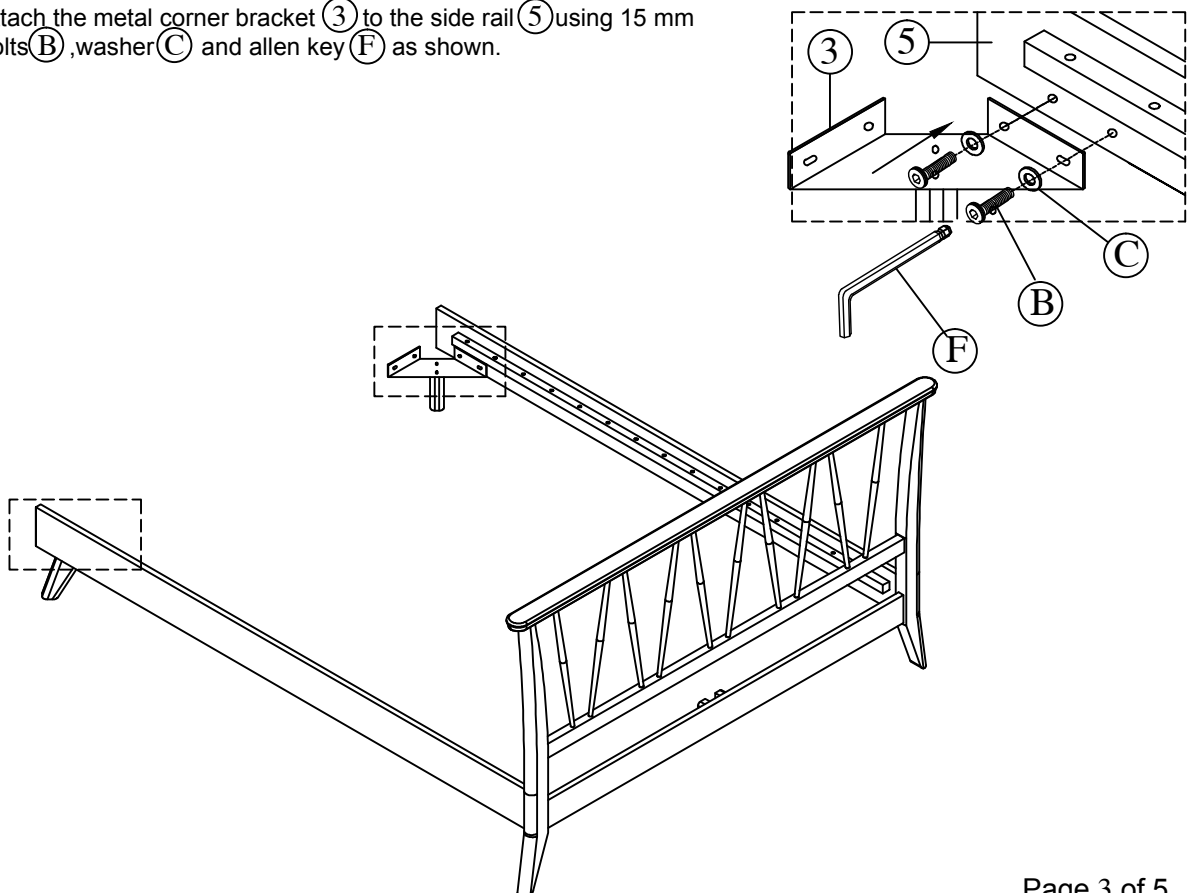
Step 2

- Attach the legs (2) to the metal corner bracket (3) using 15 mm bolts (B), washer (C) and allen key (F) as shown,



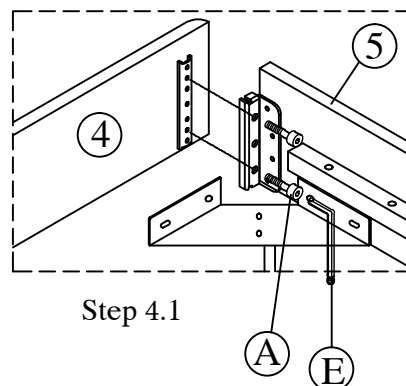
Step 3

- Attach the metal corner bracket (3) to the side rail (5) using 15 mm bolts (B), washer (C) and allen key (F) as shown.

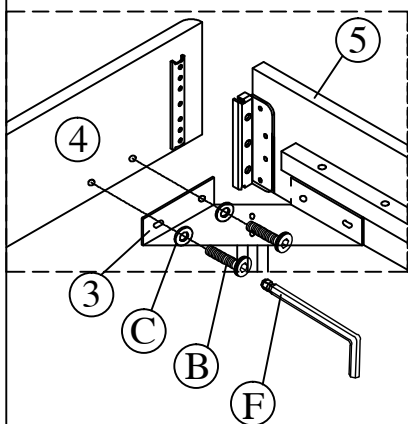


Step 4

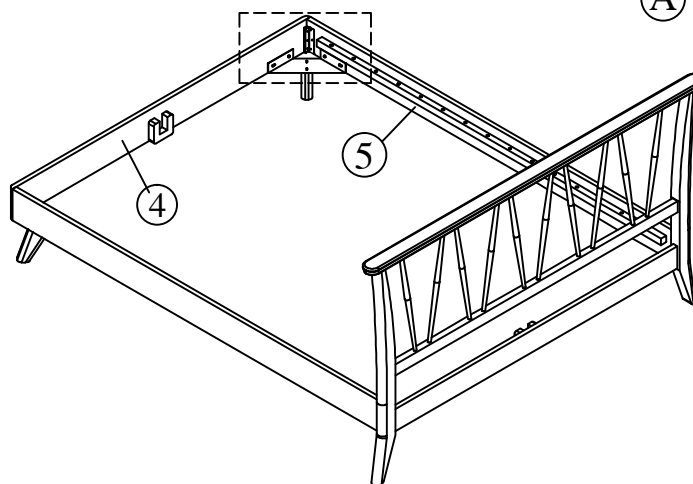
- Position the Foot end (4) to the end of the side rail (5) . Fit them together, using 10mm bolt (A) and Allen key (E) as shown step 4 .1
- Attach the metal corner bracket (3) to the foot end (4) using 15 mm bolts (B) ,washer (C) and allen key (F) as shown step 4.2



Step 4.1

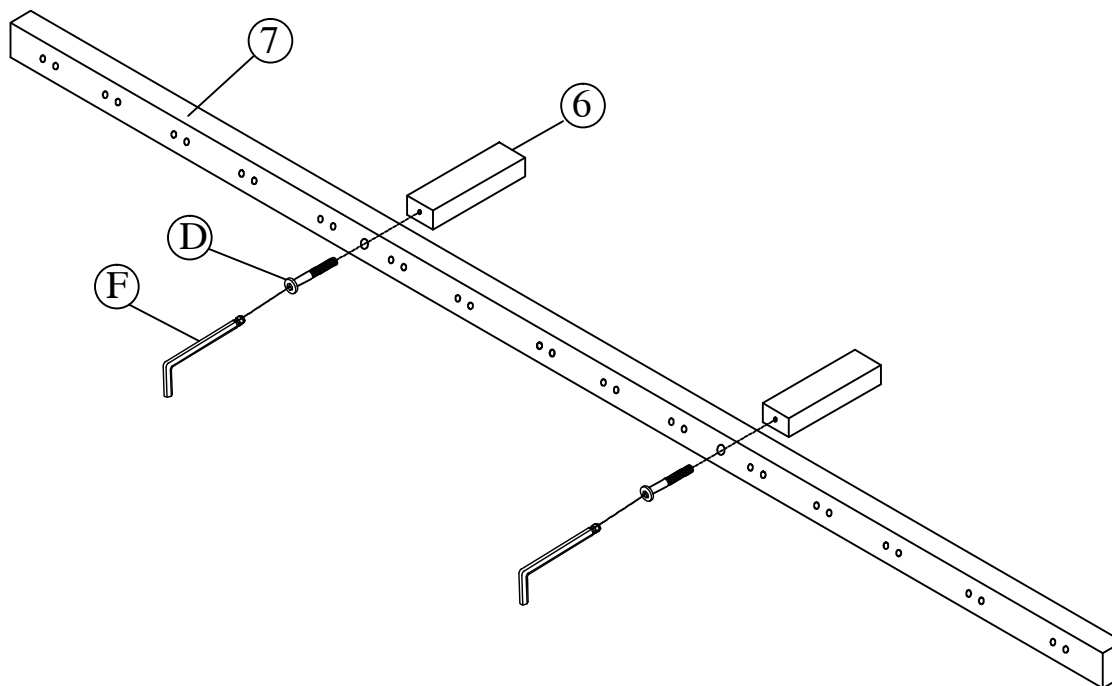


Step 4.2



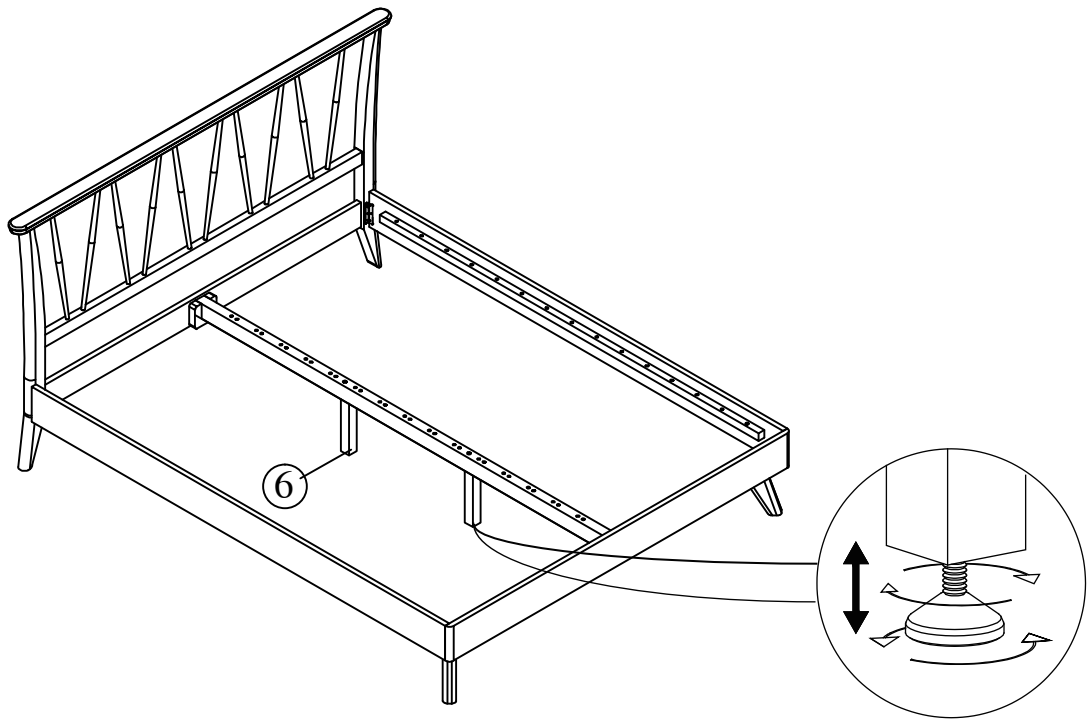
Step 5

- Attached the support legs (6) to the center rail (7) using 80 mm bolts (D) and allen key (F) .



Step 6

- Place the center rail (7) on the bed frame.
Using the leveler in support legs (6) to adjust them to suit floor conditions.



Step 7

- Place the slats (8) on the bed frame.
- Push the cap into the center rail (7) and side rail (5) support, as shown.

